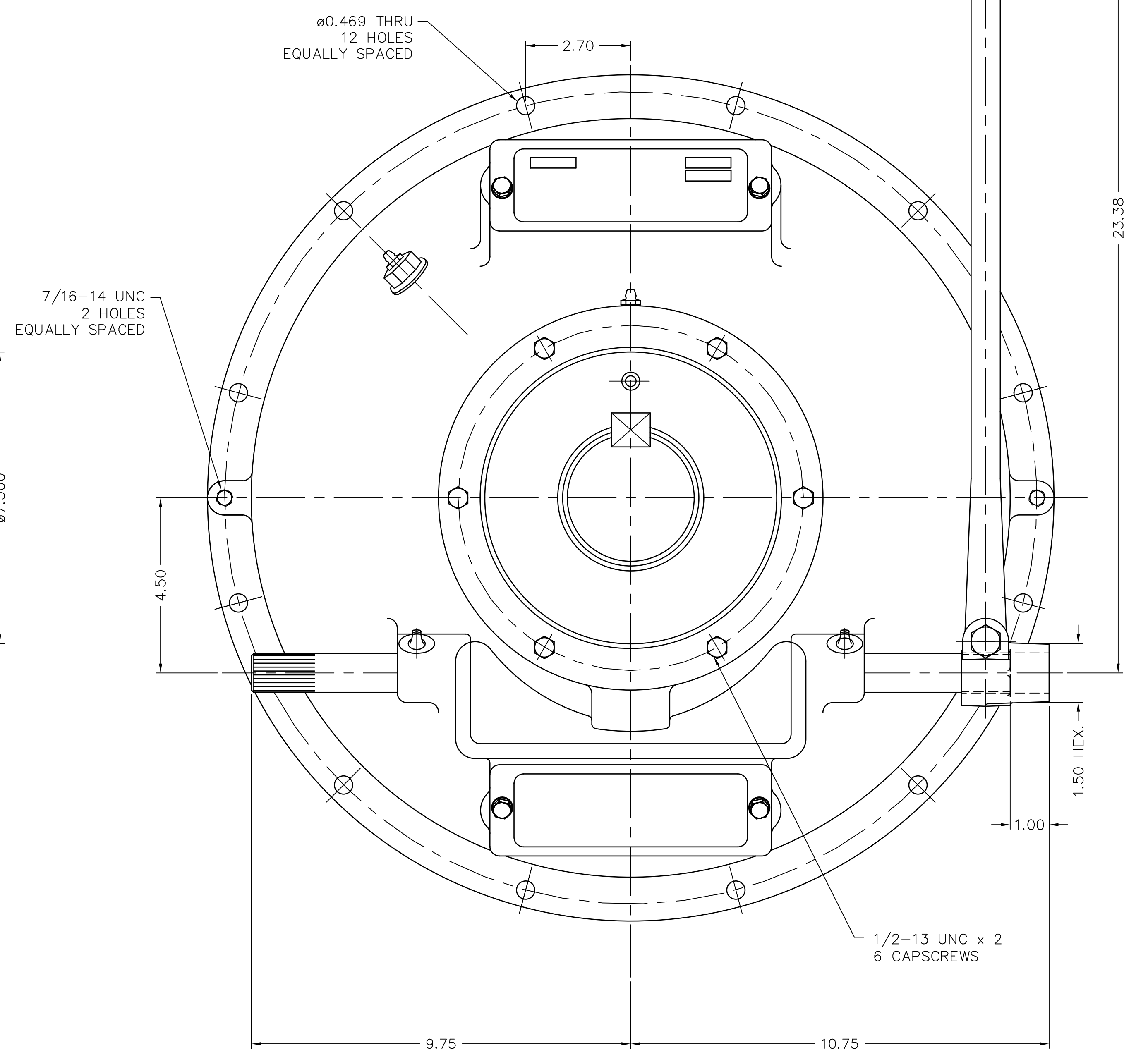


GENERAL NOTES:  
 a.) REFER TO BILL OF MATERIAL LIST WHEN ORDERING PARTS.  
 b.) REFER TO CARE & OP. MANUAL FOR ADDITIONAL INFO.



(E) (F)

UNLESS OTHERWISE SPECIFIED MACHINED DIMENSIONS X.X ±0.030 X.XX ±0.010 X.XXX ±0.005 ALL ANGULAR TOLERANCES ±1° GEOMETRIC TOLERANCING PER ASME Y14.5M 1994.	WEIGHT	MR <sup>2</sup>	FIRST USE	INCH	MATERIAL	HEAT TREAT	DATE	TWIN DISC INCORPORATED RACINE, WI 53403 - USA	
	LBS.	LBS./IN <sup>2</sup>	ASSY. MODEL				09-18-97		
NOTICE: THIS PRINT CONTAINS PROPRIETARY INFORMATION AND IS NOT TO BE USED IN ANY MANNER DETRIMENTAL TO THE INTEREST OF TWIN DISC, INCORPORATE. THIS NOTICE IS NOT INTENDED TO NULLIFY OR LIMIT RIGHTS GRANTED TO THE U.S. GOVERNMENT OR OTHERS BY CONTRACT.	SP214P110 SP214P1			THIRD ANGLE PROJECTION	SIMILAR TO	NAME	SCALE	SP214P110	
	NOTICE: THIS PRINT CONTAINS PROPRIETARY INFORMATION AND IS NOT TO BE USED IN ANY MANNER DETRIMENTAL TO THE INTEREST OF TWIN DISC, INCORPORATE. THIS NOTICE IS NOT INTENDED TO NULLIFY OR LIMIT RIGHTS GRANTED TO THE U.S. GOVERNMENT OR OTHERS BY CONTRACT.						50 = 1		CHK. TRL
SP214P1 POWER TAKE-OFF							APPD. AW	DWG SIZE	SHT. 2 OF 2