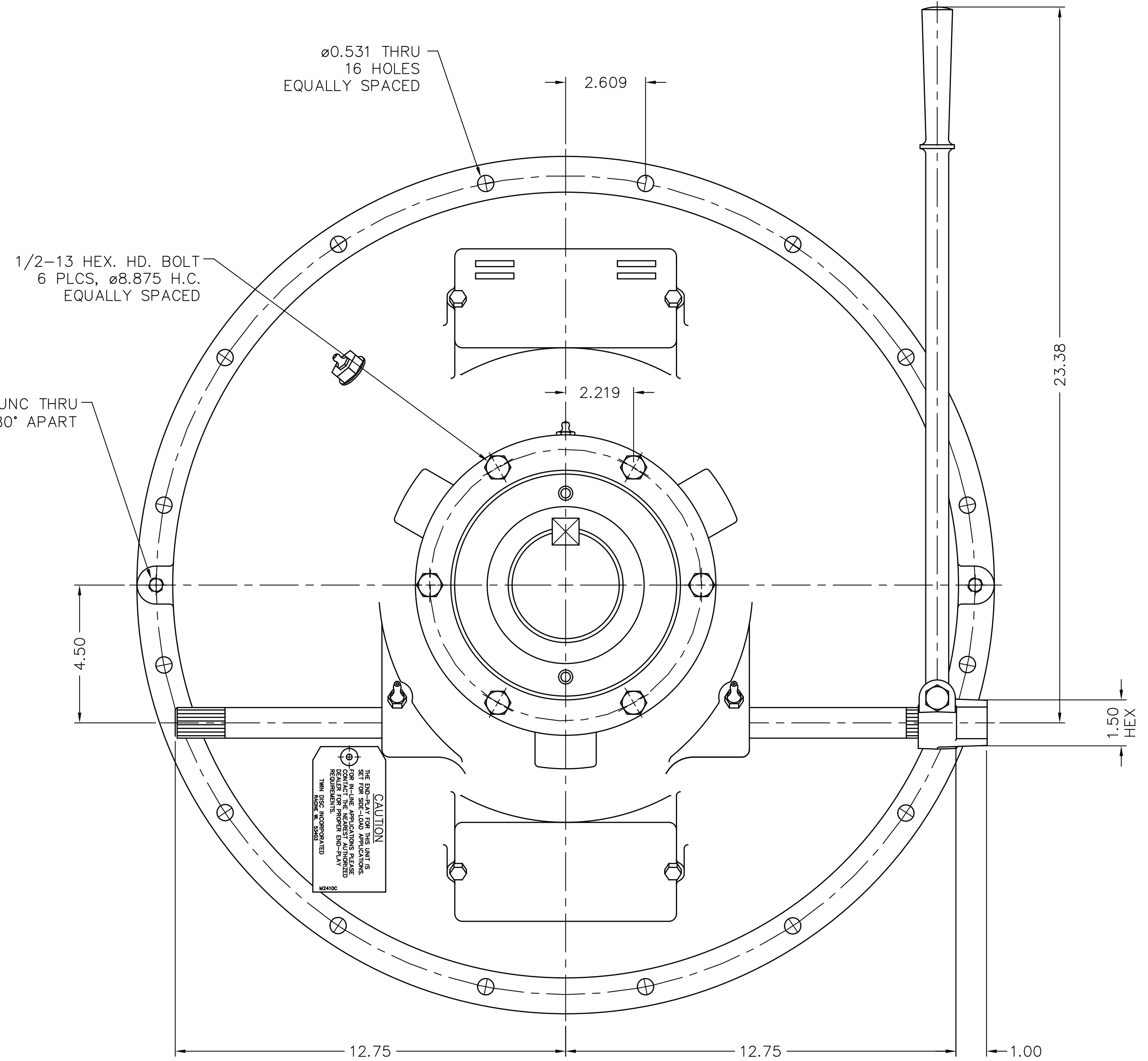
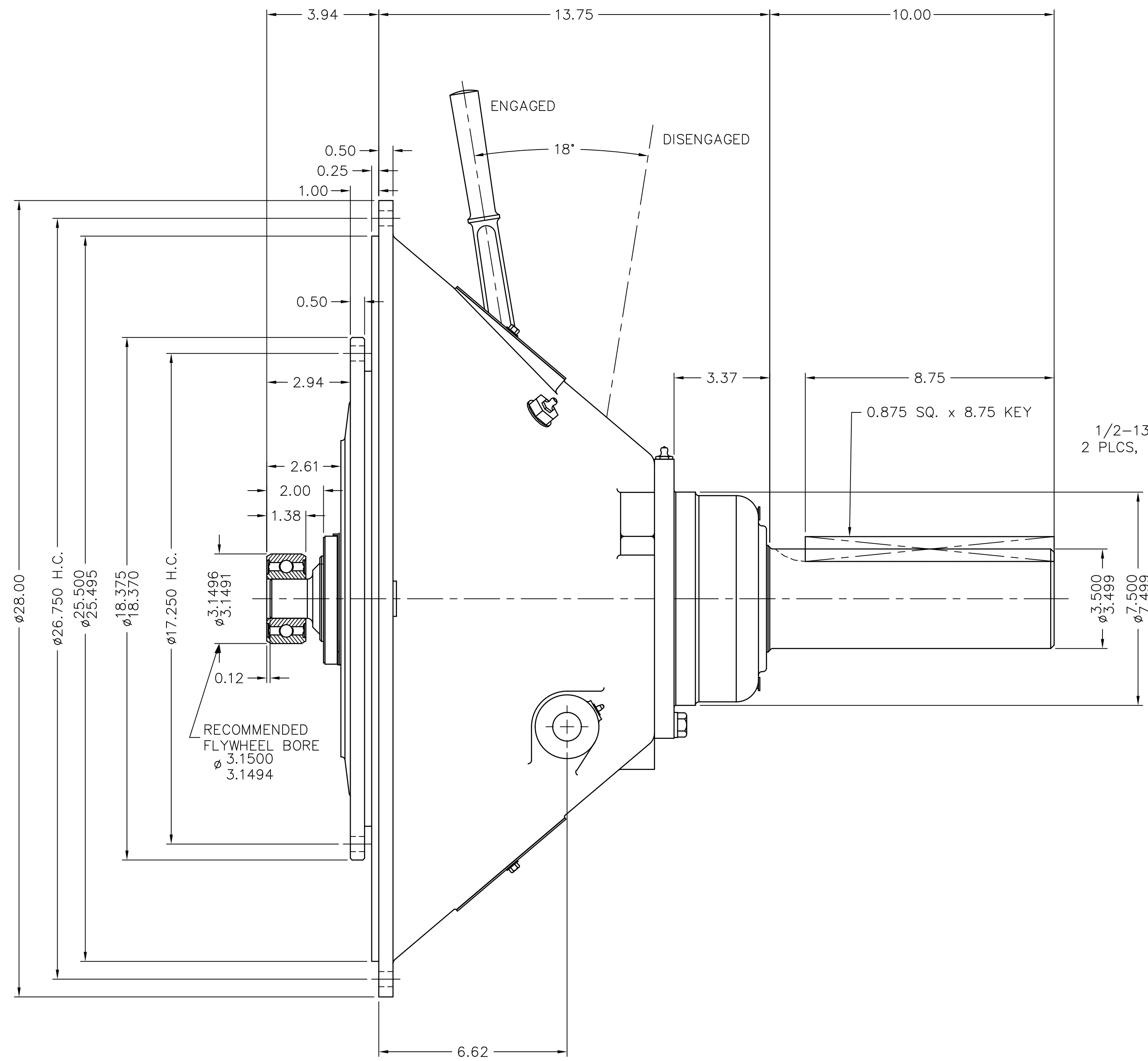


NOTE:
 TO INSURE NO PRELOAD ON SHIFTING
 MECHANISM. HAND LEVER POSITION IN THE
 ENGAGED POSITION SHOULD BE VERTICAL OR
 SLIGHTLY OVER CENTER OF DISENGAGED
 POSITION.



GENERAL NOTES:

- a.) REFER TO BILL OF MATERIALS LIST WHEN ORDERING PARTS.
- b.) REFER TO CARE & OP. MANUAL FOR ADDITIONAL INFO.
- c.) INSTALLER SUPPLIED SUPPORT PLATE MUST BE USED.
- d.) FACE OF SAE HOUSING TO BOTTOM OF PILOT BORE IN FLYWHEEL.

NOTICE! THIS PRINT CONTAINS PROPRIETARY INFORMATION AND IS NOT TO BE USED IN ANY MANNER DETRIMENTAL TO THE INTERESTS OF TWIN DISC, INCORPORATED RACINE, WI 53403 - USA THIS NOTICE IS NOT INTENDED TO NULLIFY OR LIMIT RIGHTS GRANTED TO THE U.S. GOVERNMENT OR OTHERS BY CONTRACT.	MATERIAL	WEIGHT	UNLESS OTHERWISE SPECIFIED	DATE
	HEAT TREAT	FIRST USE	DIMENSIONS ARE mm	06-26-02
	SURFACE TREATMENT	ASSY. MODEL SP214P0	MACHINED DIMENSIONS	SCALE .38 = 1
		NAME	ALL ANGULAR TOLERANCES ±1°	DRN. DJH
SP214P0 PTO		APPD. JTS	GEOMETRIC TOLERANCING PER ANSI Y14.5M 1982	CHK. RSL
				SHEET 2 OF 2 REV B

TWIN DISC
 INCORPORATED
 RACINE, WI 53403 - USA

SP414P004

THIRD ANGLE PROJECTION

X9803

F

I

E

I

D

I

C

I

B

I

A

6

5

4

3

2

1