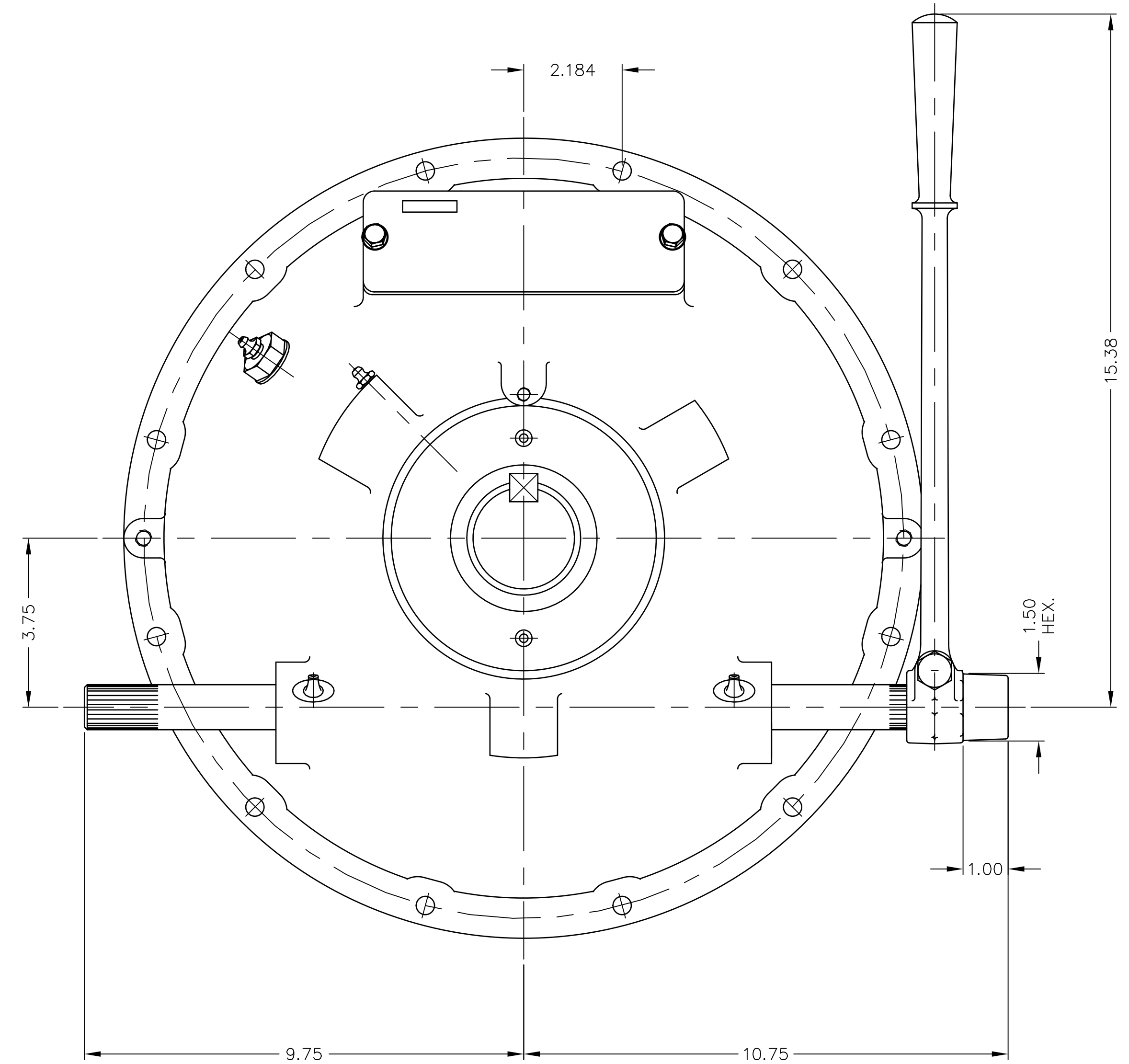


NOTE:
TO INSURE NO PRELOAD ON SHIFTING MECHANISM. HAND LEVER POSITION IN THE ENGAGED POSITION SHOULD BE VERTICAL OR SLIGHTLY OVER CENTER OF DISENGAGED POSITION.



GENERAL NOTES:

- a.) REFER TO BILL OF MATERIAL LIST WHEN ORDERING PARTS.
- b.) REFER TO CARE & OPERATION MANUAL FOR ADDITIONAL INFO..

UNLESS OTHERWISE SPECIFIED MACHINED DIMENSIONS X.X ±0.030 X.XX ±0.010 X.XXX ±0.005 ALL ANGULAR TOLERANCES ±1° GEOMETRIC TOLERANCING PER ASME Y14.5M 1994.
--

WEIGHT LBS.	WR ² LBS./IN. ²	FIRST USE ASSY. SP211P305 MODEL SP211HP3
NOTICE: THIS PRINT CONTAINS PROPRIETARY INFORMATION AND IS NOT TO BE USED IN ANY MANNER DETRIMENTAL TO THE INTEREST OF TWIN DISC, INCORPORATED. THIS NOTICE IS NOT INTENDED TO NULLIFY OR LIMIT RIGHTS GRANTED TO THE U.S. GOVERNMENT OR OTHERS BY CONTRACT.		

INCH	THIRD ANGLE PROJECTION
------	---------------------------

MATERIAL SIMILAR TO	HEAT TREAT	NAME SP211HP3 POWER TAKE OFF
------------------------	------------	------------------------------------

DATE 10-18-04	TWIN DISC INCORPORATED RACINE, WI 53403 - USA	
SCALE 1.50 = 1		
DRN: DJH	SP211P305	
CHK: JTS		
APPD: JTS		
DWG SIZE D	SHT 2 OF 2	REV G

F I E I D I C I B I A