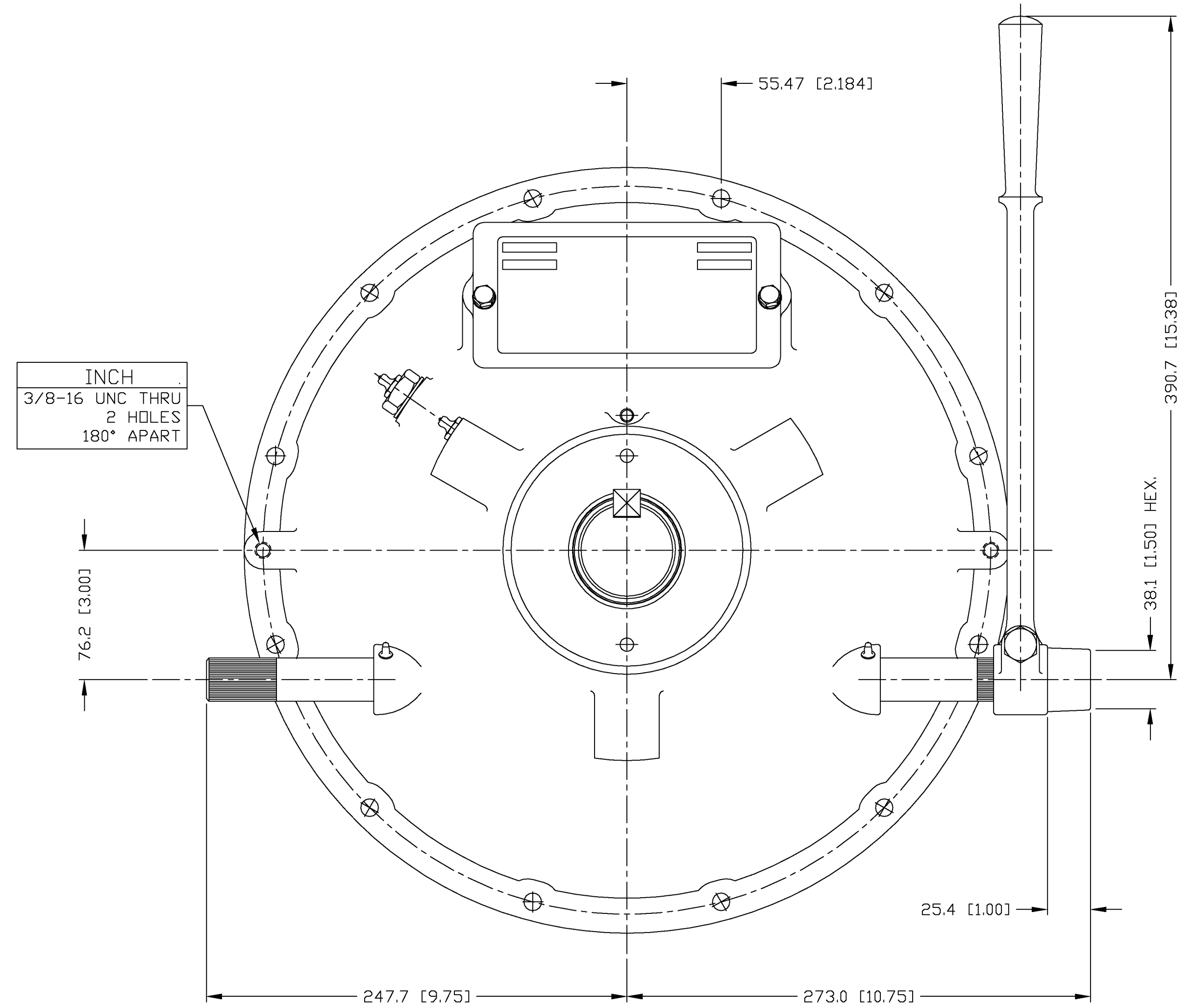
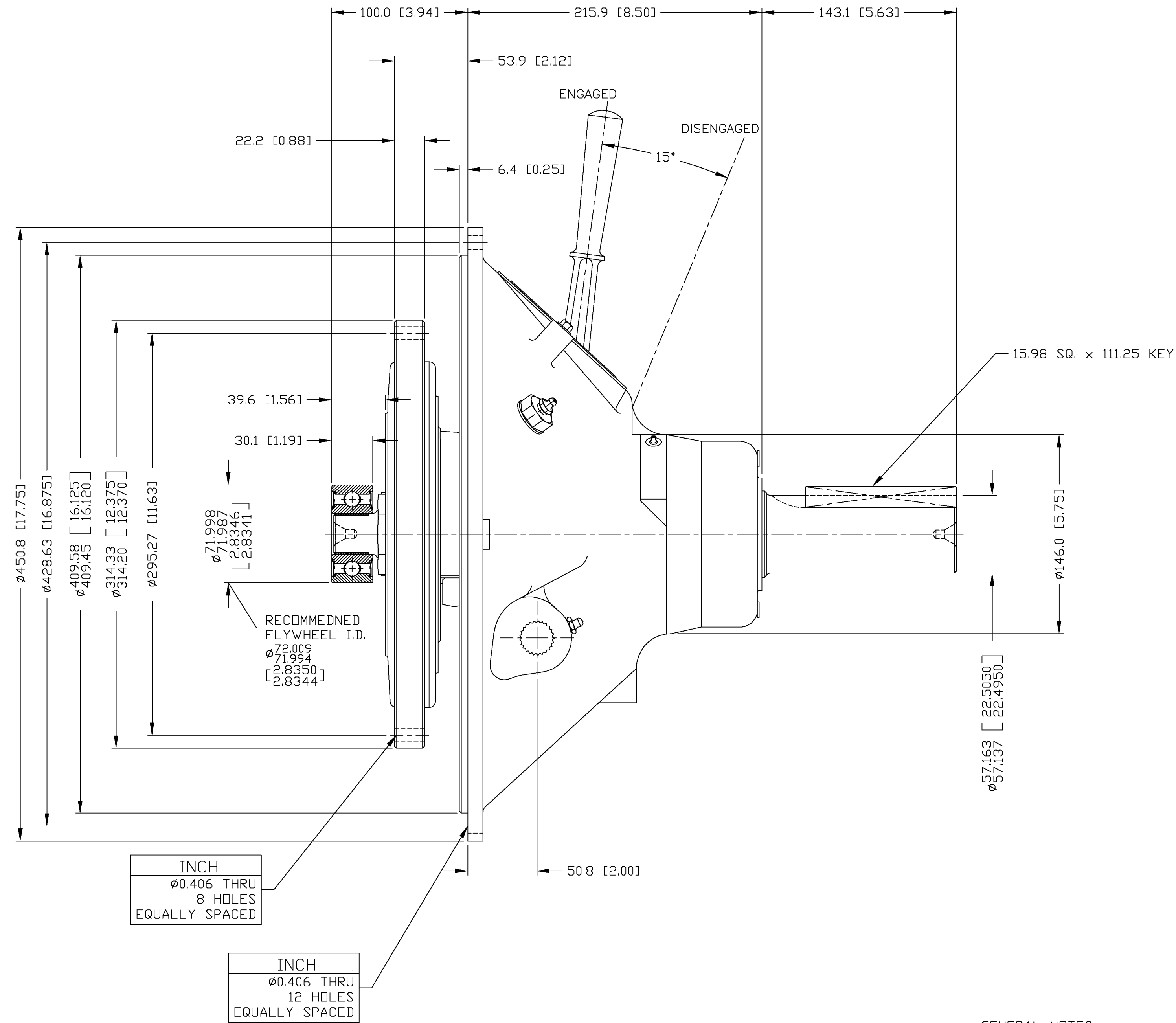


NOTE:
 TO INSURE NO PRELOAD ON SHIFTING
 MECHANISM. HAND LEVER POSITION SHOULD
 BE SLIGHTLY PAST VERTICAL POSITION OR
 TOWARDS ENGINE.



GENERAL NOTES:
 a.) REFER TO BILL OF MATERIAL WHEN ORDERING PARTS.
 b.) REFER TO CARE & OPERATION MANUAL FOR ADDITIONAL INFO.

UNLESS OTHERWISE SPECIFIED
 DIMENSIONS ARE IN
 MILLIMETERS
 MACHINED DIMENSIONS
 X ±0.25
 XX ±0.25
 XXX ±0.13
 ALL ANGULAR TOLERANCES ±1°
 GEOMETRIC TOLERANCING
 PER ASME Y14.5M 1994

WEIGHT
 kg
 VRF
 N.A.
 FIRST USE
 ASSY. CX110P306
 MODEL C110HP3
 NOTICE: THIS PRINT CONTAINS PROPRIETARY INFORMATION AND IS NOT TO BE
 USED IN ANY MANNER DETRIMENTAL TO THE INTEREST OF
 TWIN DISC, INCORPORATED
 THIS NOTICE IS NOT INTENDED TO WAIVE OR LIMIT RIGHTS GRANTED TO
 THE U.S. GOVERNMENT OR OTHERS BY CONTRACT.

METRIC
 THIRD ANGLE
 PROJECTION

MATERIAL
 SIMILAR TO
 X8249

HEAT TREAT
 NAME
 C110HP3
 POWER TAKE OFF

DATE 08-06-02	TWIN DISC INCORPORATED RACINE, WI 53403 - USA
SCALE 1:50 = 1	
DRAWN DJH	CX110P306
CHECKED JTS	
APPROVED JTS	DWG SIZE A1
	SHEET 2 OF 2
	REV A

6
5
4
3
2
1