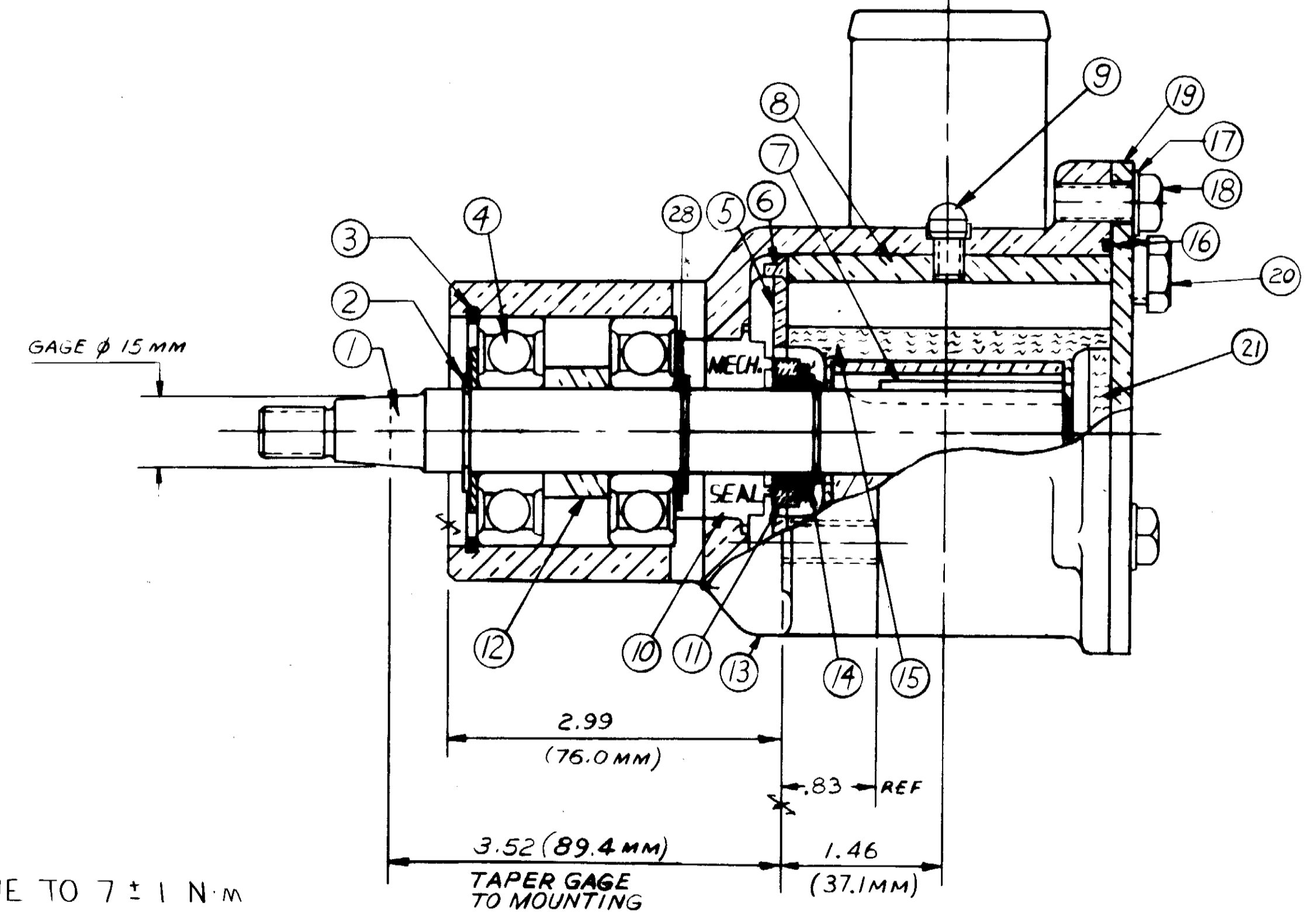
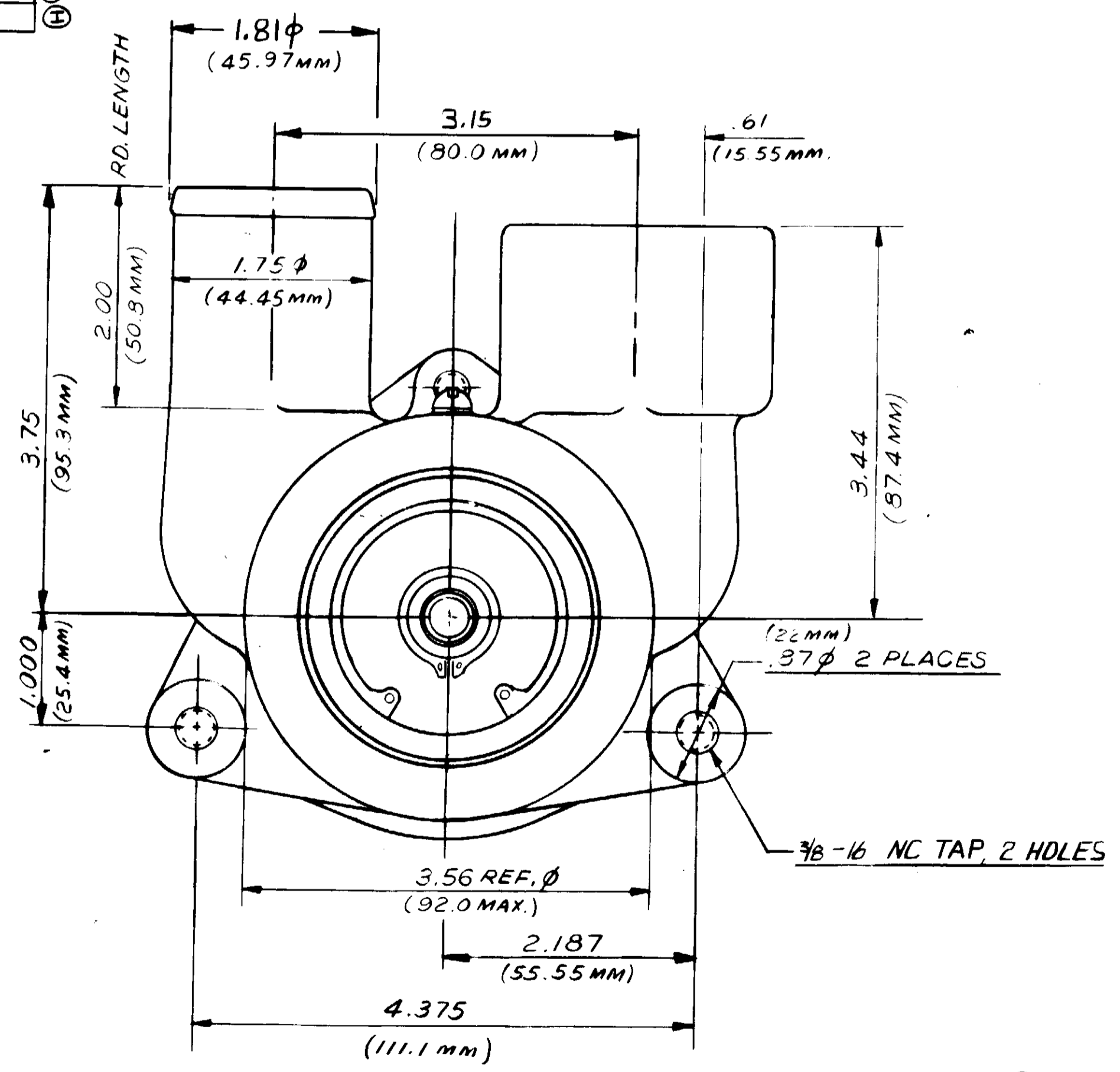
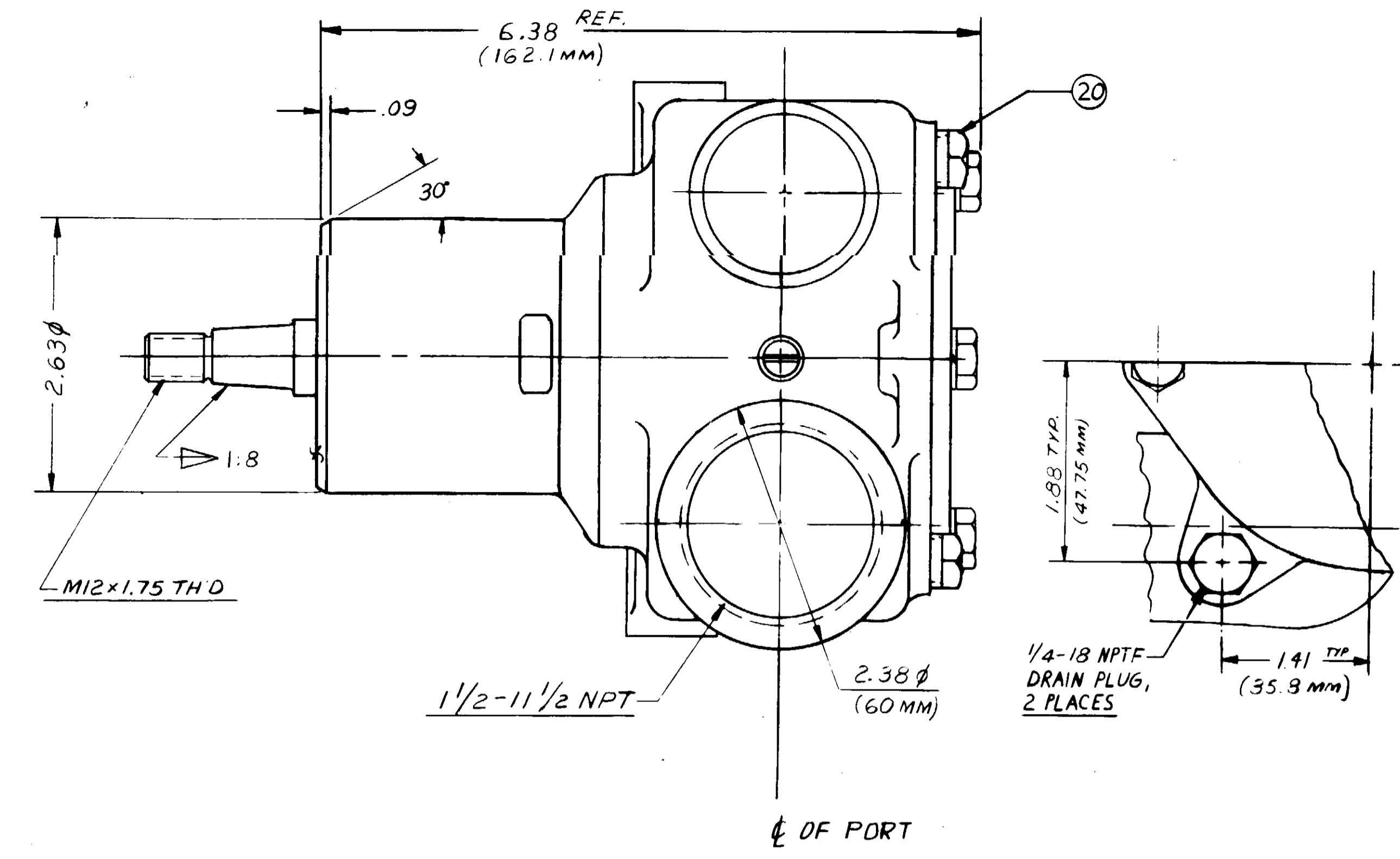
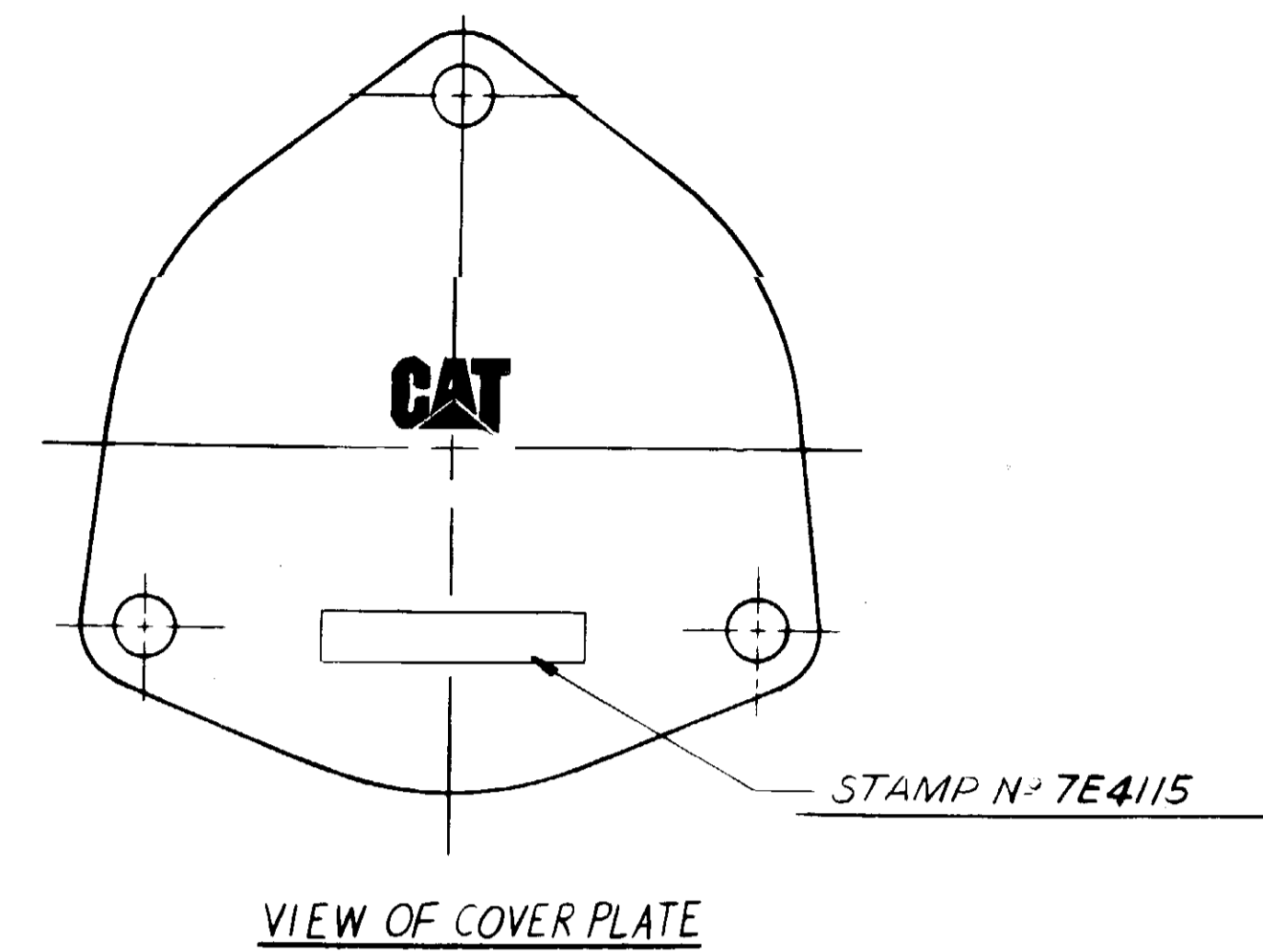
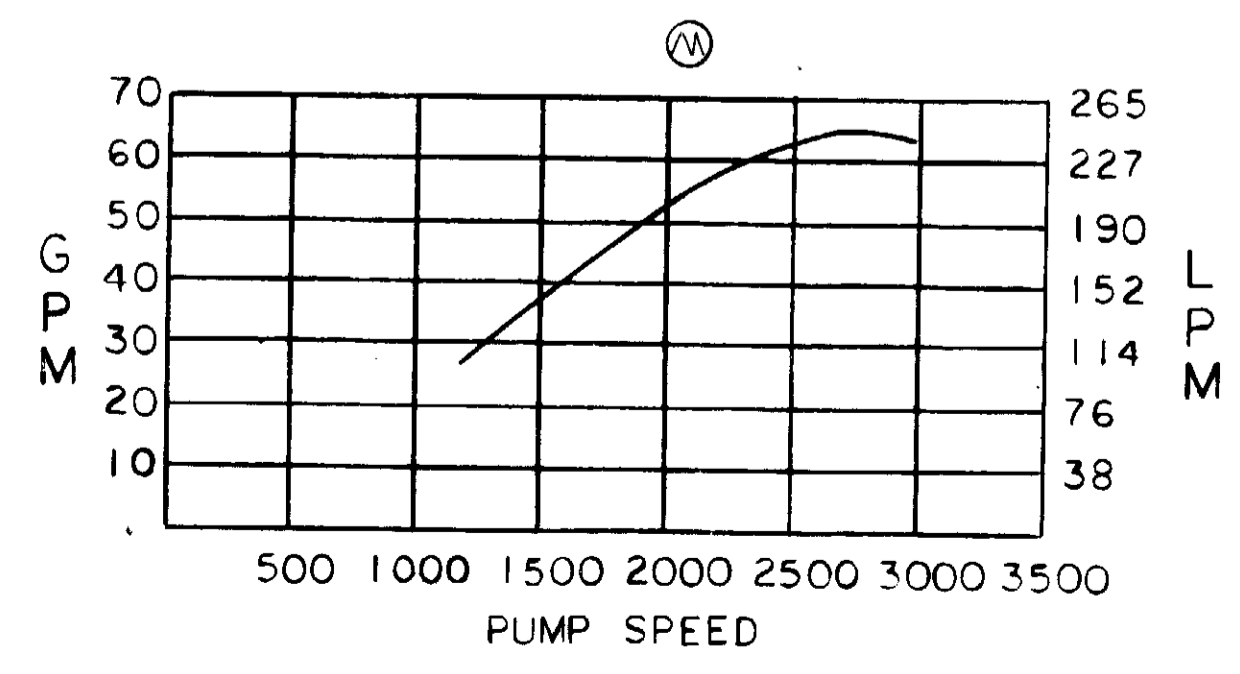


PARTS LIST				CATERPILLAR
ITEM	DESCRIPTION	REQ'D	PART NO.	PART NO.
1	SHAFT	1	19620	
2	EXT. RET. RING	3	15952	4M7651
3	INT. RET. RING	1	15942	5F5078
4	BALL BEARING	2	15951	8H4320
5	END PLATE	1	16047	
6	END PLATE PIN	1	18442	
7	KEY	1	19667	4P-5926
8	CAM	1	18271	7E0319
9	CAM SCREW	1	19673	7E-0327
10	MECH. SEAL	1	15954	
11	SEAL SEAT	1	15953	
12	SPACER	1	15940	7E0345
13	HOUSING	1	19015	
14	FLAT WASHER	1	15959	7E0325
15	RUBBER IMPELLER	1	17000	7E0321
16	O-RING	1	15945	5P2931
17	5/16 LOCK WASHER	3	15944	9M1974
18	5/16 HEX. CAPSCREW	3	16029	8T9043
19	COVER PLATE	1	18625	7E0317
20	DRAIN PLUG HEX.	2	339	587890
21	RUBBER CAP	1	19210	4P-5927
22	SEAL & SEAT ASSY	SERVICE	15955	7E0322
23	PIN-END PLATE ASSY	SERVICE	18441	7E0328
24	MINOR SERVICE KIT	ITEMS 13, 14, 15, 16, 17, 18	21931	1W5664
25	MAJOR SERVICE KIT	ITEMS 1, 2, 3, 4, 5, 6, 7, 8, 9, 10, 11, 12, 13, 14, 15, 16, 17, 18, 19, 20, 21, 22, 23, 24	18285	
26	HOSE ADAPTER (SERVICE ONLY)	1	19250	4P3494
27	HOSE ADAPTER (SERVICE ONLY)	1	18896	7E3393
28	FLAT WASHER	2	19614	
29	TAPER CAP	1	18459	
30	NPT PIPE PLUG	1	21334	
31	STRAIGHT CAP	1	21326	



① NOTE A: TORQUE TO 7 ± 1 N·m



J	ADDED 7E-0327	DA	8-6-93	UNLESS OTHERWISE SPECIFIED
I	ADDED 4P-5926	DA	8-6-93	CAST DIMENSIONS ± .02
H	ADDED NPT PIPE PLUG	GM	3-24-93	FILLETS & RADI .06
G	ADDED TAPER CAP	GM	3-24-93	FINISH STOCK .07
F	N° 19667 KEY WAS N° 19209	K2S	8/1/92	MACHINING TOLERANCE INCHES
E	N° 19673 SCREW WAS N° 10515	AVB	8/6/91	XX ± .01, XXX ± .006
D	N° 15959 WASHER WAS 3 REQ'D	AVB	8/6/91	SURFACE ROUGHNESS
C	N° 19614 FLAT WASHER ADDED	AVB	8/6/91	ANGLES ± 0° 30'
B	SHAFT WAS 16045	KB	7-1-91	CORNER BREAKS .01 MAX.
A	KEY CHANGED & RUBBER CAP ADDED	SH	5/1/90	FLATNESS .001
REV	DESCRIPTION	APPR	DATE	SQUARENESS .001

N	WAS 18284	TLG	4-11-95
M	ADDED GRAPH	DA	8-6-93
L	ADDED NOTE	DA	8-6-93
K	ADDED 4P-5927	DA	8-6-93

CATERPILLAR * 7E4115

SHERWOOD

A DIVISION OF HYPRO CORPORATION
8331 E. JEFFERSON AVE. • DETROIT, MICHIGAN 48207

DRAWN	DATE	CHECKED	DATE	REV. NO.
AVB	12/4/89			910

TITLE: RUBBER IMPELLER PUMP ASSY

MATERIAL: SEE DETAILS

DWG. NO.: P176