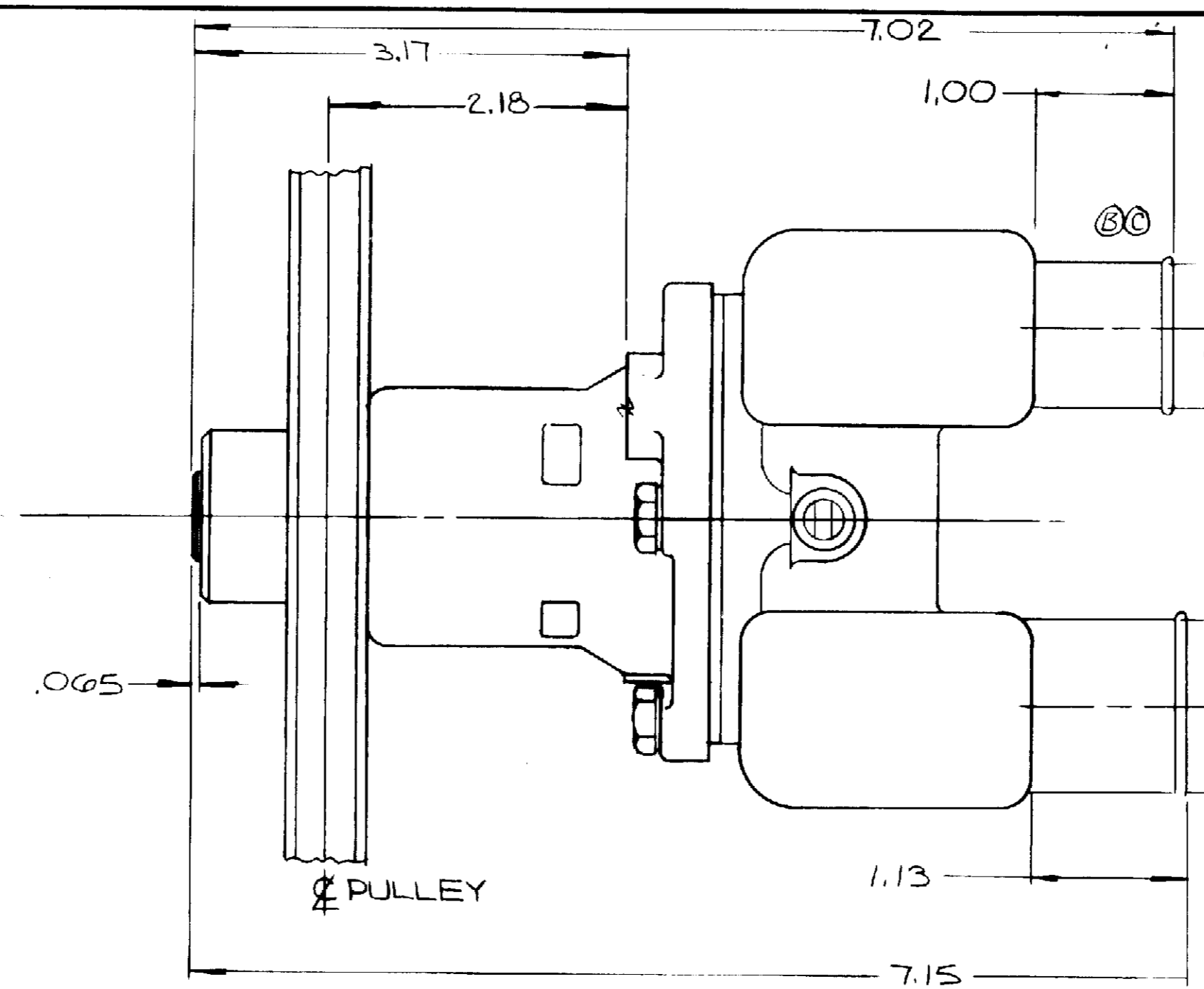


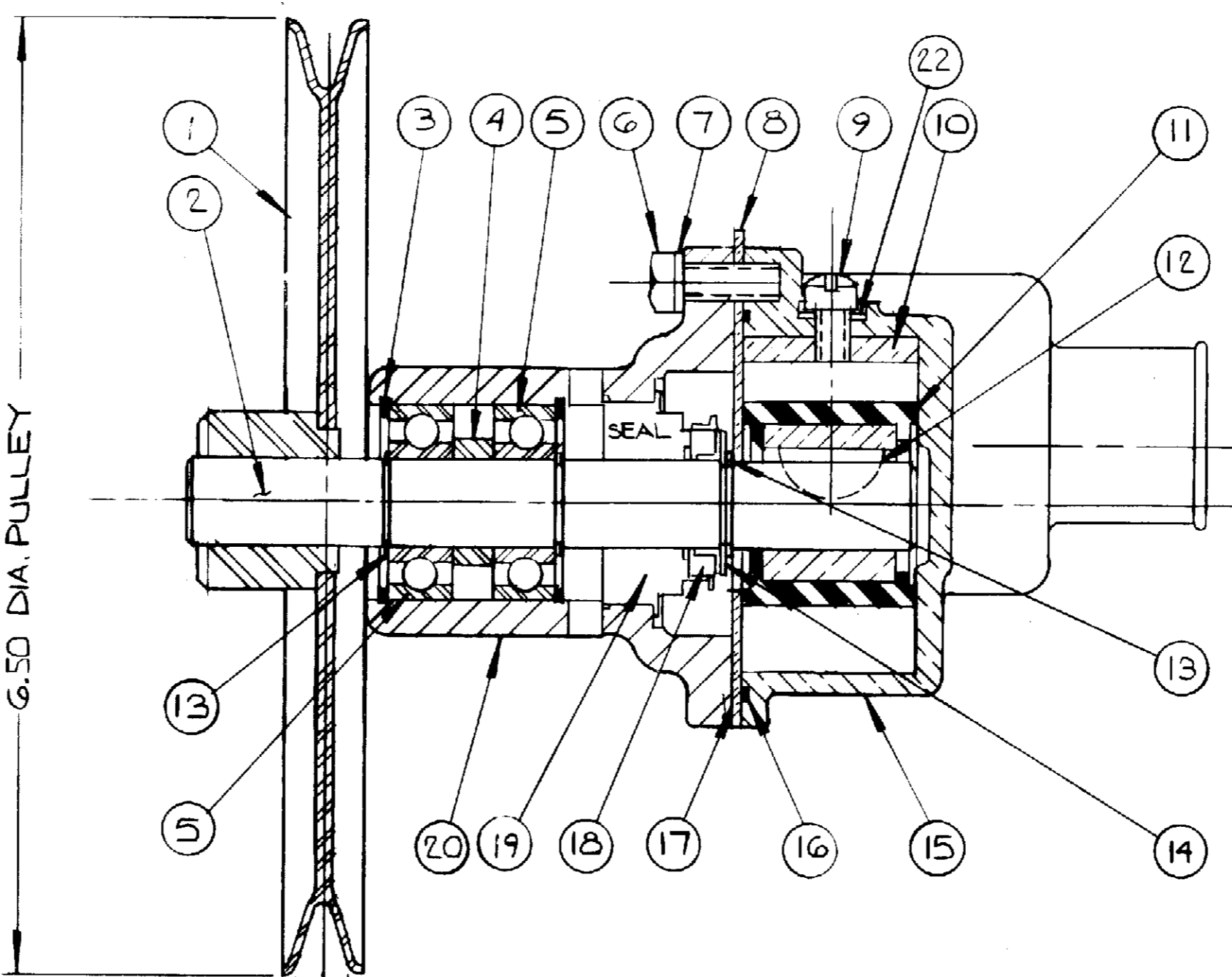
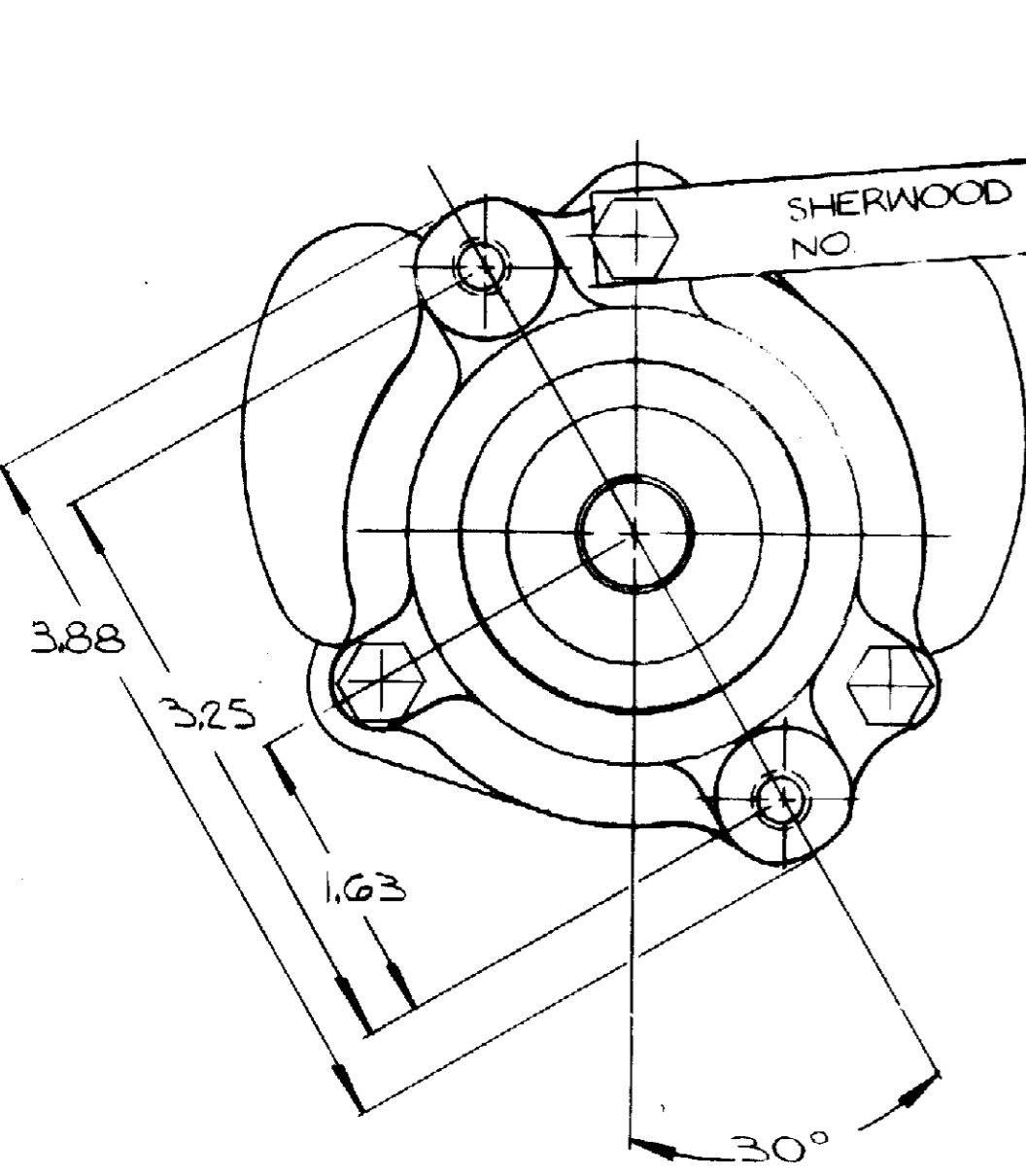
PARTS LIST			
ITEM	PART NO.	DESCRIPTION	REQ'D
1	21154	PULLEY ASSY	1
2	13303	SHAFT	1
3	4259	RETAINER RING	2
4	5133	SPACER	1
5	12211	BEARING	2
6	12857	SCREW	3
7	12710	LOCK WASHER	3
8	12856	END PLATE	1
9	19995	SCREW	1
10	15883	CAM (.20)	1
11	9959	IMPELLER	1
12	4432	KEY DRIVE	1
13	4258	RETAINER RING	3
14	4264	THRUST WASHER	1
15	21151	HOUSING	1
16	12231	O'RING	1
17	12855	GASKET	1
18	12256	SEAT ASSY	1
19	12314	SEAL ASSY	1
20	21153	BODY	1
21	13285	TAG-PART NUMBER	1
22	19996	WASHER	1
23	14120	TUBE CONTAINER	1
24	11510	PALLET	1
25	14122	PAD	6
26	21335	INSERT	4

(A) (D)  
(E)  
(F)  
(F)  
(F)



DESCRIPTION	SERVICE KIT N° & ASSEMBLY N°	G9901
MAJOR KIT	12665	
MINOR KIT	12399	
SEAL & SEAT ASSY	12859	

(A) INSERTS x (20) PUMPS/INSERT  
= (80) PUMPS/BOX



(E) .38 REF.

OMC PART N° 3852348 (G)

REV.	DESCRIPTION	APPR	DATE
G	WAS N° 740036	KRS	6-28-93
F	ADDED BOXING	GM	3-29-93
E	WAS .36	KRS	3-10-93
D	WAS N° 15048	KRS	3-10-93
C	REVERSED INLET & OUTLET	KRS	3-10-93
B	REVISED INLET FROM 1" PORT TO 1.25"	GM	2-3-93
A	WAS N° 21154	KRS	12-7-92

UNLESS OTHERWISE SPECIFIED  
CAST DIMENSIONS ± .02  
FILLETS & RADII .06  
FINISH STOCK .07  
MACHINING TOLERANCE, INCHES  
XX ± .01, XXX ± .005  
SURFACE ROUGHNESS  
ANGLES 1°-30°  
CORNER BREAKS .01 MAX.

□ FLATNESS .0015 IN/IN  
⊥ SQUARENESS .0015  
○ CONCENTRICITY .002  
○ ROUNDNESS .0005  
↺ RUNOUT .002

**SHERWOOD**  
A DIVISION OF HYPRO CORPORATION  
6331 E. JEFFERSON AVE. • DETROIT, MICHIGAN 48207

DRAFTSMAN	DATE	CHECKER	DATE	ASSY NO.
GM	11-10-92	KRS	11-16-92	

TITLE  
**RUBBER IMPELLER PUMP ASSY**

MATERIAL  
SEE DETAILS

DWG. NO.  
G9901

PROJ. NO. 1103