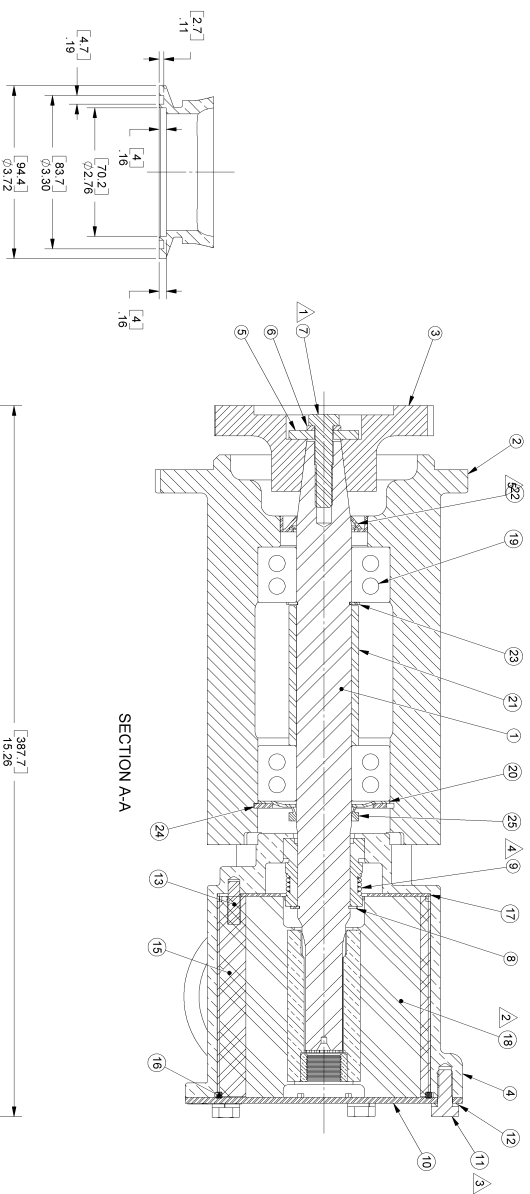
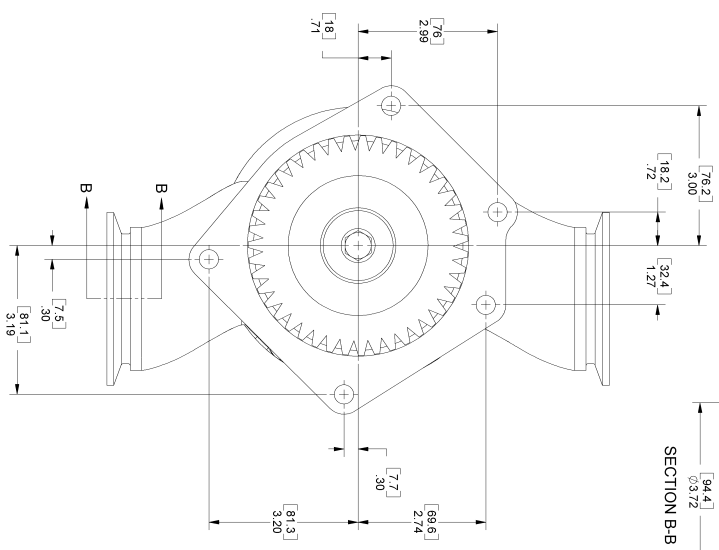


- NOTES:
1. APPLY LOCTITE #262 (RED) OR EQUIVALENT TO GEAR BOLT (7) AND TORQUE TO 34-39 FT-LBS.
 2. INSTALL IMPELLER (18) COUNTER CLOCKWISE VIEWED FROM THE COVER USING SILICONE LUBRICANT.
 3. TORQUE COVER BOLTS (11) TO 5-8 FT-LBS.
 4. MECHANICAL SEAL/SEAT (9) MUST BE INSTALLED USING PAC-EASE OR EQUIVALENT LUBRICANT.
 5. UP SEAL (22) MUST BE INSTALLED COMPLETELY CLEAN AND DRY, BOTH SHAFT AND SEAL.
 6. TORQUE FLANGE BOLTS (14) TO 12-16 FT-LBS.
 7. TAG (23) STAMPING INSTRUCTION: DATE CODE

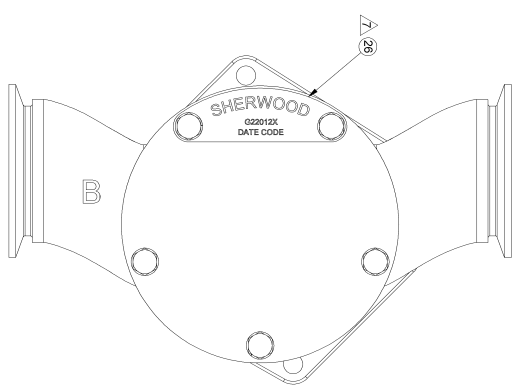
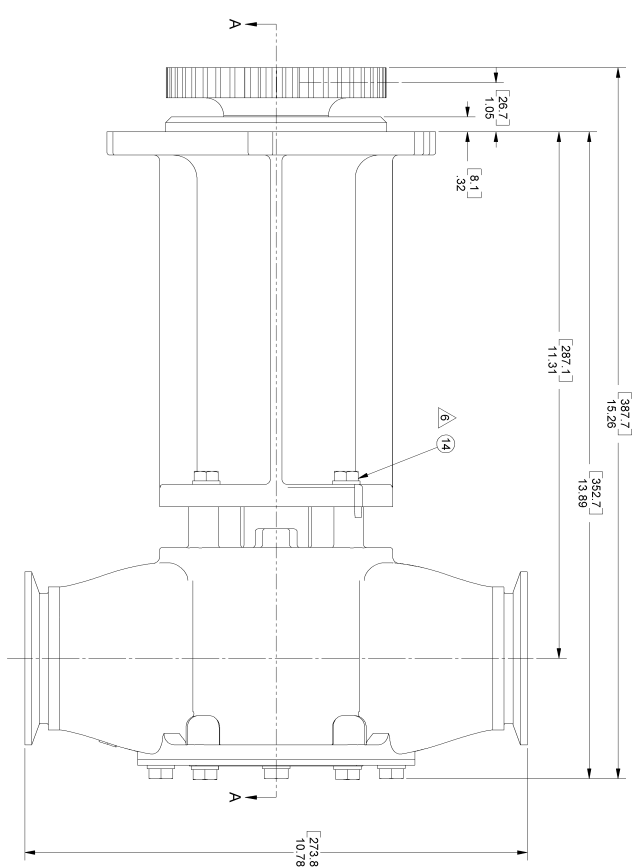


ITEM NO.	PART NUMBER	DESCRIPTION	Default QTY
1	23920	SHAFT	1
2	23919	BODY	1
3	23181	GEAR	1
4	24159	HOUSING	1
5	23155	WASHER	1
6	23194	WASHER	1
7	23194	BOLT	1
8	23115	RETAINING RING	1
9	23905	SEAT/SEAL ASSY	1
10	23113	COVER PLATE	1
11	15994	WASHER-LOCK	9
12	15994	WASHER-LOCK	9
13	21566	BOLT	1
14	23211	BOLT	4
15	24160	CAM LINER	1
16	23111	QUAD RING	1
17	23111	WASHER	1
18	22000	IMPELLER ASSY	1
19	23925	IMPELLER ASSY	1
20	23925	IMPELLER ASSY	2
21	23922	SHIELD	1
22	23921	SPACER	1
23	181005012	UP SEAL	1
24	23091	RETAINING RING	1
25	23924	V-RING	1
26	24855	TAG-SHERWOOD	1

SECTION B-B



SECTION A-A



REV	DATE	DESCRIPTION
A	5/9/00	RELEASE TO PRODUCTION

REV	DATE	DESCRIPTION
DV	5/13/00	CHANGE

SHERWOOD
 A DIV. OF HUBBARD POWER SYSTEMS COMPANY
 20770 Avenida NW, Shore Station, WA 98132 (206) 744-6300

DESIGNED BASED ON MODEL Y14.004.004 80 HP RT SCALE PRINT
 DRAWING NO. 23920-001
 SCALE 3/4
 SHEET NUMBER 1 OF 1

REVISIONS
 DATE 06-15-06
 BY
 CHECKED BY
 APPROVED BY
 DATE 06-15-06
 PART NUMBER
 MAIN AND REVISIONS COMMAND CENTER
 G22012X