

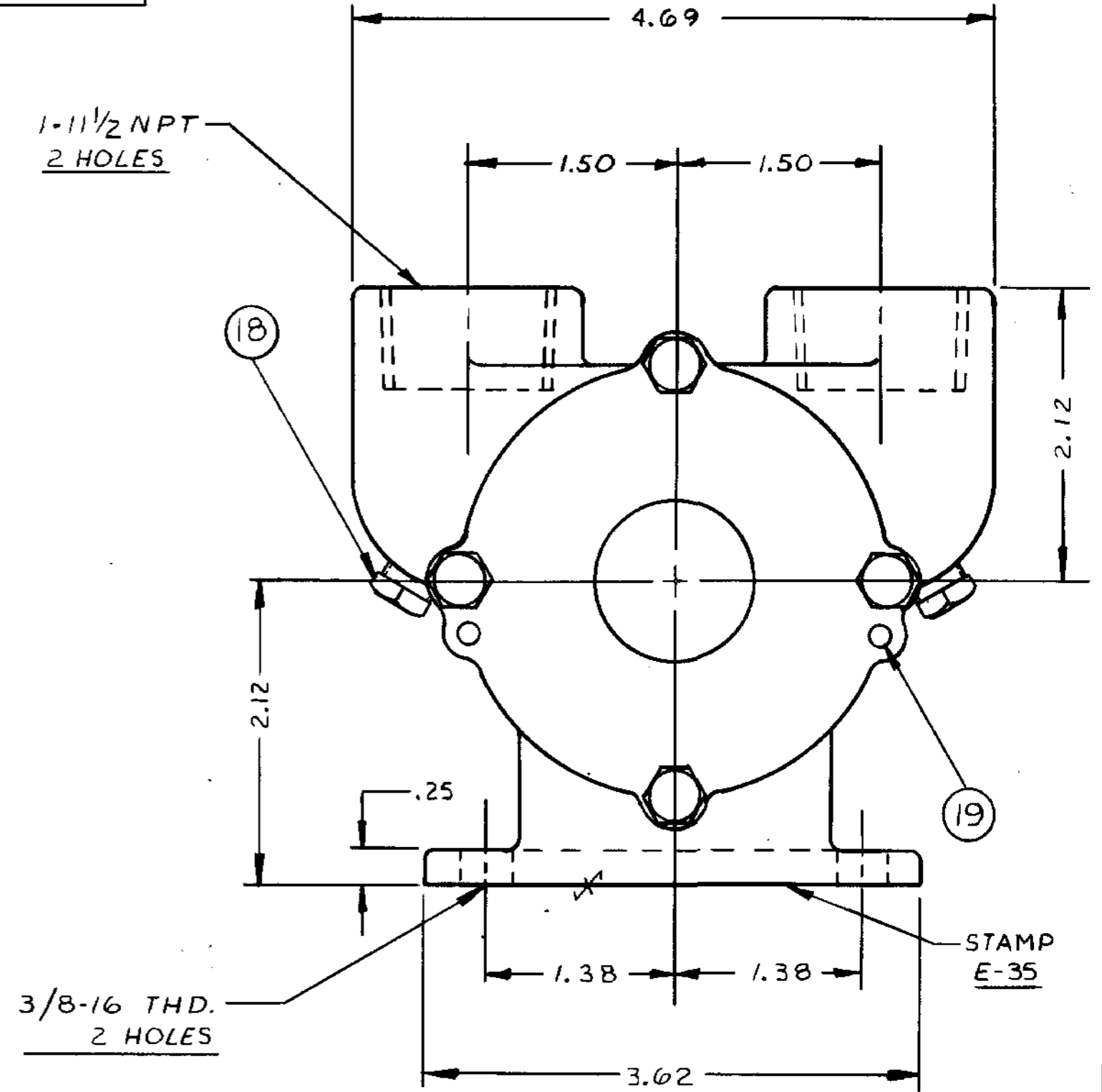
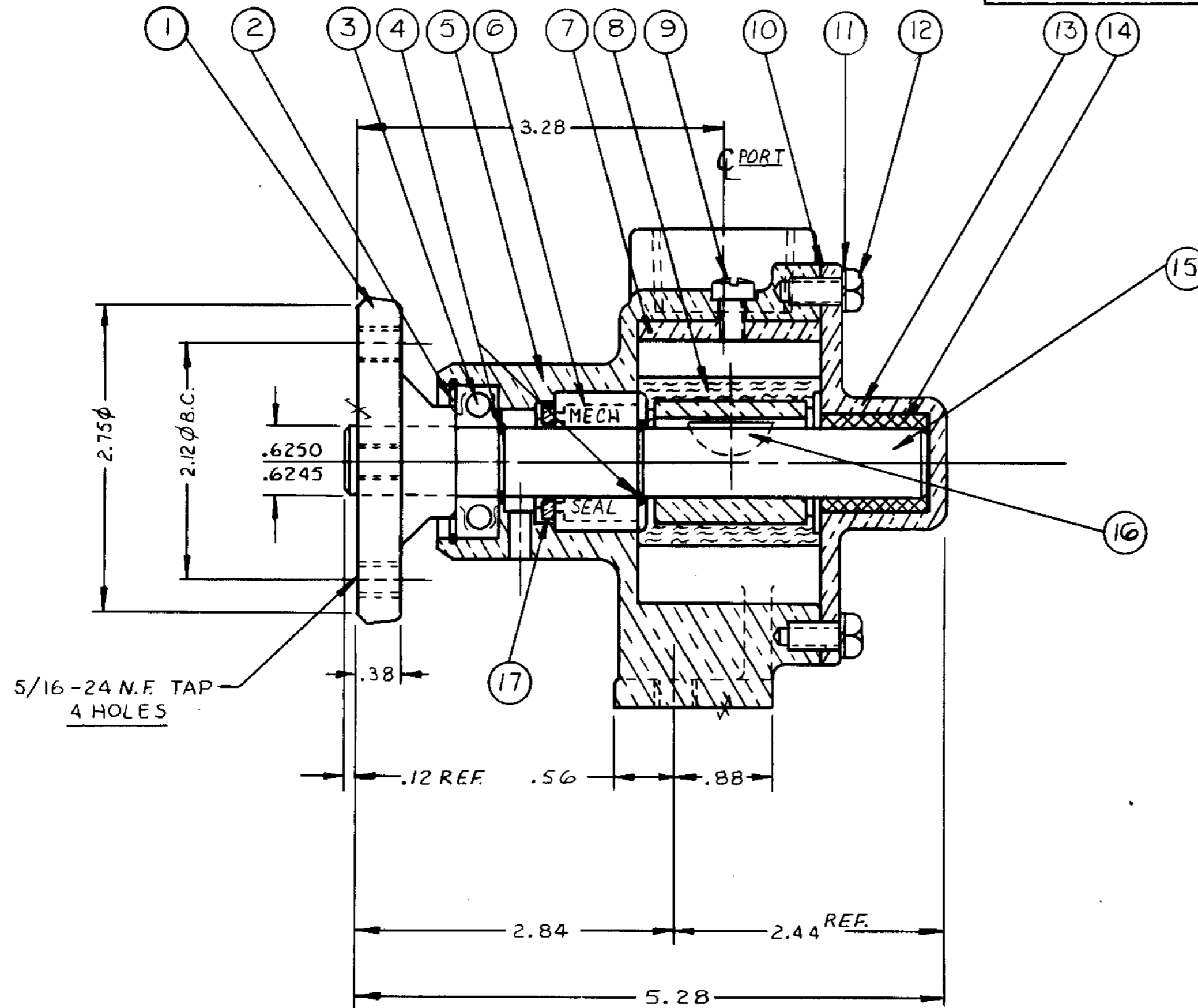
PARTS LIST			
ITEM	PART NO	DESCRIPTION	REQ'D
1	97176	PULLEY HUB	1
2	4259	RETAINING RING	1
3	4257	BEARING	1
4	4258	EXT. RET. RING	2
5	11245	BODY	1
6	18743	MECH SEAL	1
7	10944	CAM	1
8	10615	IMPELLER	1
9	10515	FILLISTER SCREW	1
10	10931	GASKET	1
11	P-12710	LOCKWASHER	4
12	1483	CAPSCREW	4
13	10182	COVER	1
14	6333-G	BUSHING	1
15	11744	SHAFT	1

16	4432	№9 KEY	1
17	10926	SEAL SEAT	1
18	336	DRAIN PLUG	2
19	1311	DOWEL PIN	2

SERVICE PART NO.	COMPONENT PART NO'S	NO. REQ.
11246	11245	1
BODY	1311	2
10183	10182	1
COVER	6333-G	1
10927	10523	1
SEAL & SEAT	10926	1
10999 MINOR	10615	1
REPAIR KIT	10927	1
	10931	1
11068 MAJOR	4257	1
REPAIR KIT	6333-G	1
	10615	1
	10927	1
	10931	1
	10944	1
12306 MAJOR REPAIR KIT		

UNIT PACKAGING
 No 17636 CARTON W 1 REQ'D
 12209 LABEL 1 REQ'D
 14486 JIFFY BAG #4 1 REQ'D

PACKAGING:
 11516 PALLET 1REQ'D
 14120 TUBE CONTAINER 1REQ'D
 14122 PADS 7REQ'D
 14124 INSERTS (DIVIDERS) 5REQ'D
 36 PUMPS/LAYER X 5 LAYERS = 180 PUMPS/PALLET



CAPACITY
 28.5 G.P.M. @ 3000 R.P.M.

CRUSADER MARINE № 97179
 CURVE № 71034R

REV.	DESCRIPTION	APPR	DATE
K	UNIT PACKAGING NOTE	B.M.	11-12-69
J	REDRAWN WITHOUT CHANGE	KB	4-27-68

UNLESS OTHERWISE SPECIFIED
 CAST DIMENSIONS ± .02
 FILLETS & RADII .06
 FINISH STOCK .07
 MACHINING TOLERANCE, INCHES
 XX ± .01, XXX ± .005
 SURFACE ROUGHNESS ✓
 ANGLES ± 0° 30'
 CORNER BREAKS .01 MAX.
 || PARALLISM .001
 □ FLATNESS .001
 ⊥ SQUARNESS .001
 ○ CONCENTRICITY .001
 ○ ROUNDNESS .0002
 ↗ RUNOUT .001

SHERWOOD
 A DIVISION OF HYPRO CORPORATION
 6331 E. JEFFERSON AVE. • DETROIT, MICHIGAN 48207

DRAFTSMAN	DATE	CHECKER	DATE	ASSY NO.
TJ	12-10-69	RBM	12-15-69	

TITLE
RUBBER IMPELLER PUMP ASSEMBLY

MATERIAL
 SEE DETAILS

DWG. NO.
 E-35

PROJ. CM 118