

***For Your Convenience: This File Is  
Shared By Diesel Parts Direct***



**YOUR ONE STOP SUPERSTORE FOR DIESEL ENGINE PARTS**

**SHOP NOW**

# Direct-Mount Temperature Swichgauge® Instrument SDB Series



## Features

- Easy to Read Dial
- Bi-Metallic Sensor
- Two Ranges:  
100 to 500°F (40 to 260°C)  
200 to 1000°F (100 to 500°C)
- Dials Scaled in Degrees Fahrenheit/Celsius
- CSA Listed Explosion-proof Model Available



\* Products covered by this bulletin comply with EMC Council directive 89/336/EEC regarding electromagnetic compatibility except as noted.

The SDB Series are direct-mounting temperature Swichgauge devices. They provide an accurate direct-reading gauge with an adjustable limit switch to activate alarms and/or shutdown. A knob on front of the Swichgauge instrument allows you to adjust the limit switch trip point. Pointer movement is actuated by a bi-metallic sensing element.

Models SDB500, SDB501 and SDB500EX have a temperature range of 100 to 500°F (40 to 260°C). SDB500EX enclosure is explosion-proof and CSA listed for Class I, Group C and D hazardous locations.

The SDB1000 has a temperature range of 200 to 1000°F (100 to 500°C).

## Basic Operation

SDB500, SDB501 and SDB1000: When the indicating pointer on the SDB touches the adjustable contact, a one-wire-to-ground circuit is completed to shut down the equipment and/or actuate audible or visual alarms. Proper relays or Tattle-tale® annunciators (magnetic switches) must be incorporated into the system.

SDB500EX: When the temperature rises to the preset trip point, the pointer engages an internal SPDT snap-switch to close/open circuits.

## Applications

The most common use of the SDB Series is to monitor gas compressor temperatures. Engine exhaust temperature can also be monitored to indicate overloading or lean fuel mixtures; or use the SDB to help coordinate loads on twin-engine installations.

## Specifications

### Temperature Ranges:

SDB500, SDB500EX, and SDB501: 100 to 500°F (40 to 260°C).  
SDB1000: 200 to 1000°F (100 to 500°C).

**Sensing Bulb Material and Size:** 304 stainless steel; 1/2 in. dia. x 4 in. (13 x 102 mm) insertion depth.

**Maximum Bulb Pressure:** 285 psi (1.97 MPa) [19.7 bar] at 625°F (329°C).  
NOTE: use of a thermowell is recommended.

**Process Connection:** 1/2 NPTF. 3/4 NPT adapter available.

**Sensing Element:** High torque bi-metal element in heliarc welded stainless steel bulb.

### Contact Rating:

SDB500, SDB501 and SDB1000: 2 A @ 30 VAC  
SDB500EX: 2 A @ 120 VAC

**Limit Contact Adjustment:** By knob through full range.

### Maximum Unit Temperature:

SDB500, SDB500EX, SDB501: 625°F (329°C).  
SDB1000: 1250°F (677°C).

**Case Material:** SDB501: Die-cast aluminum.

SDB500, SDB1000, SDB500EX: Sand-cast aluminum.

**SWICHGAGE® Accuracy:** ± 3% of full scale.

**NOTE:** All models are calibrated for use with a thermowell. Specify when a thermowell is NOT to be used, (see How to Order on back page).

**Wire:** 18 AWG (1.0 mm<sup>2</sup>). See Dimensions for lengths, reverse side.

**Dial:** Black print on stainless steel. Dials are scaled in degrees Fahrenheit and Celsius.

### Shipping Weight:

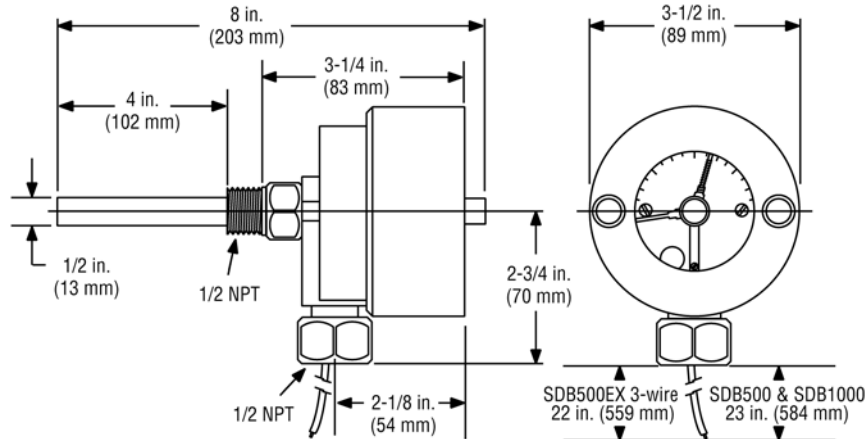
SDB501: 1 lb. 4 oz. (0.57 kg).  
SDB500 and SDB1000: 2 lb. (1.0 kg).  
SDB500EX: 2 lb. 5 oz. (1.05 kg).

### Shipping Dimensions:

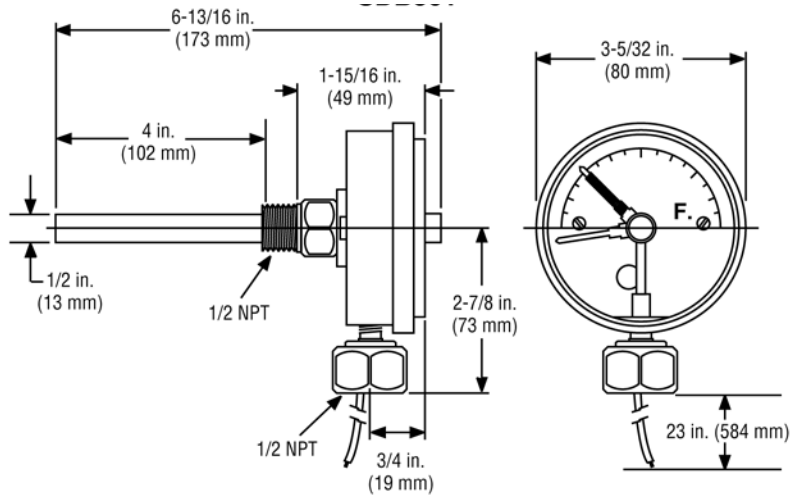
SDB501: 8-1/4 x 4-1/4 x 4-1/2 in. (210 x 108 x 114 mm).  
SDB500 and SDB1000: 8-1/4 x 4-1/4 x 4-1/2 in. (210 x 108 x 114 mm).  
SDB500EX: 9 x 5-1/2 x 6 in. (229 x 140 x 152 mm).

## Dimensions

### SDB500, SDB500EX, and SDB1000

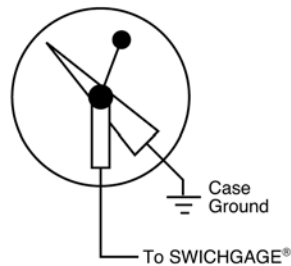


### SDB501



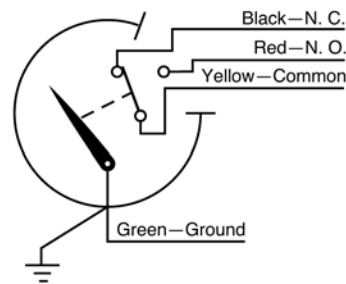
## Wiring Diagrams

### SDB500, SDB501, and SDB1000



Contact Rating: 2 A @ 30 VAC

### SDB500EX



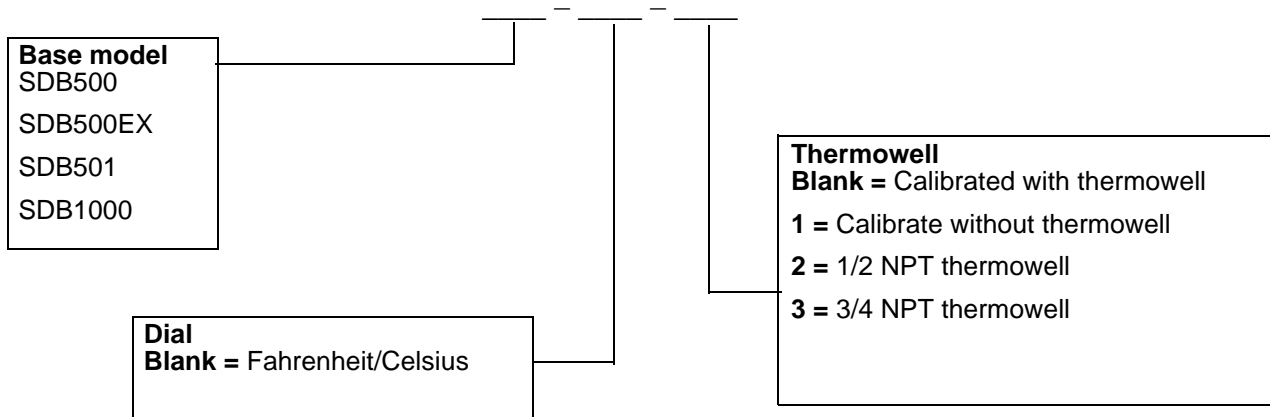
Contact Rating: 2 A @ 120 VAC

**Warranty** - A limited warranty on materials and workmanship is given with this FW Murphy product. A copy of the warranty may be viewed or printed by going to <http://www.fwmurphy.com/warranty>

## How to Order

---

To order the SDB use the model number diagram below. Model number example: **SDB500EX-3**.



## Optional Thermowells

---

Murphy offers thermowells (separable sockets) to facilitate maintenance of a temperature Switchgauge instrument and to protect the temperature sensing bulb from extreme amounts of system pressure. For system pressures exceeding 285 psi (1.97 MPa) [19.7 bar] at 625°F (329°C) an optional thermowell is recommended for use with the SDB series. The thermowell protects the SDB bulb from system pressures up to 3000 psi (20.68 MPa) [206.8 bar] at 300°F (149°C). Two thermowell options are available: 1/2 NPT and 3/4 NPT. Thermowells can be ordered with the SDB Series Switchgauge instrument or ordered separately. See "How to Order" on back page.

To order thermowell separately:

Specify part number **10050025** for 1/2 NPT.

Specify part number **10050311** for 3/4 NPT.

**FW MURPHY**

P.O. Box 470248  
Tulsa, Oklahoma 74147 USA  
Phone: +1 918 317 4100 Fax: +1 918 317 4266  
E-mail: sales@fwmurphy.com

**INDUSTRIAL PANEL DIVISION**

Fax: +1 918 317 4124  
E-mail: ipdsales@fwmurphy.com

**MURPHY POWER IGNITION**

Web site: www.murphy-pi.com

**CONTROL SYSTEMS & SERVICES DIVISION**

P.O. Box 1819  
Rosenberg, Texas 77471 USA  
Phone: +1 281 633 4500 Fax: +1 281 633 4588

**FRANK W. MURPHY LTD.**

Church Road, Laverstock  
Salisbury, SP1 1QZ, UK  
Phone: +44 1722 410055 Fax: +44 1722 410088  
E-mail: sales@fwmurphy.co.uk  
Web site: www.fwmurphy.co.uk

**COMPUTRONIC CONTROLS**

41 - 46 Railway Terrace  
Nechells, Birmingham, B7 5NG, UK  
Phone: +44 121 327 8500 Fax: +44 121 327 8501  
E-mail: sales@computroniccontrols.com  
Web site: www.computroniccontrols.com

[www.fwmurphy.com](http://www.fwmurphy.com)

**FW MURPHY INSTRUMENTS (HANGZHOU) CO., LTD.**

77 23rd Street  
Hangzhou Economic & Technological Development Area  
Hangzhou, Zhejiang, 310018, China  
Phone: +86 571 8788 6060 Fax: +86 571 8684 8878  
E-mail: apsales@fwmurphy.com



USA-ISO 9001:2000 FW MURPHY  
UK-ISO 9001:2000 FW MURPHY  
Registered Facilities



Printed in U.S.A.

12/02/09

**Warranty** - A limited warranty on materials and workmanship is given with this FW Murphy product.  
A copy of the warranty may be viewed or printed by going to <http://www.fwmurphy.com/warranty>