

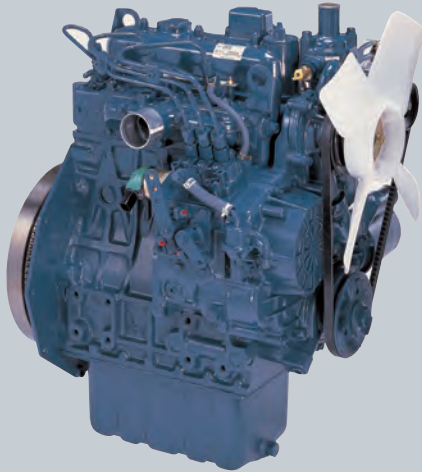
INDUSTRIAL DIESEL ENGINE

KUBOTA 05 SERIES (3-cylinder)

D1005-E4B

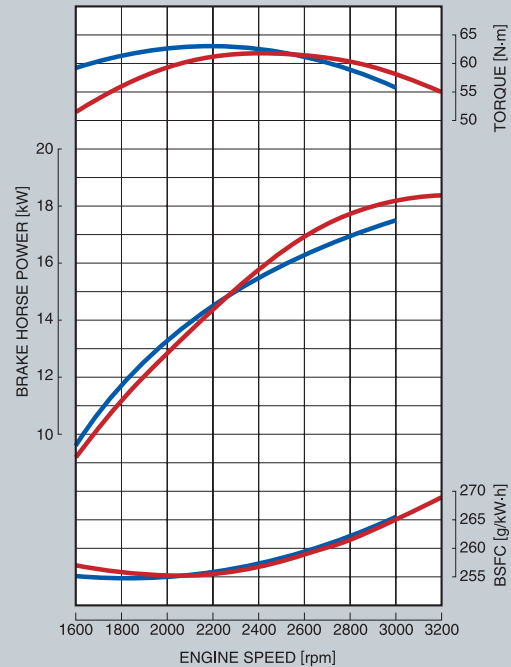
RATED POWER

- 17.5kW @ 3000rpm
- 18.5kW @ 3200rpm



Photograph may show non-standard equipment.

PERFORMANCE CURVE



FEATURES and BENEFITS

Emissions

The D1005 engine complies with EPA Tier 4 emissions regulations which is the most stringent emissions regulations in the world in this class.

Kubota engine less than 19kW meets emission standards over the NRTC and also meets the NTE requirements.

Durable Power

The D1005 offers seamless transition from E3 to E4 by maintaining the same footprint and hardware mounting points. This engine is available both at 17.5kW@3000rpm and 18.5kW@3200rpm.

Option

A variety of engine accessory options is also available.

KUBOTA 05 SERIES D1005-E4B

GENERAL SPECIFICATION

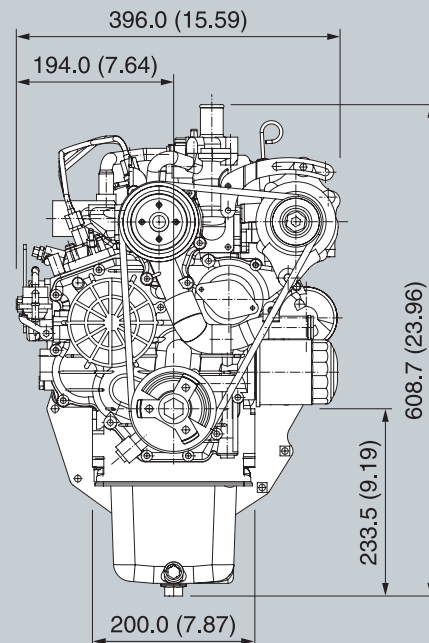
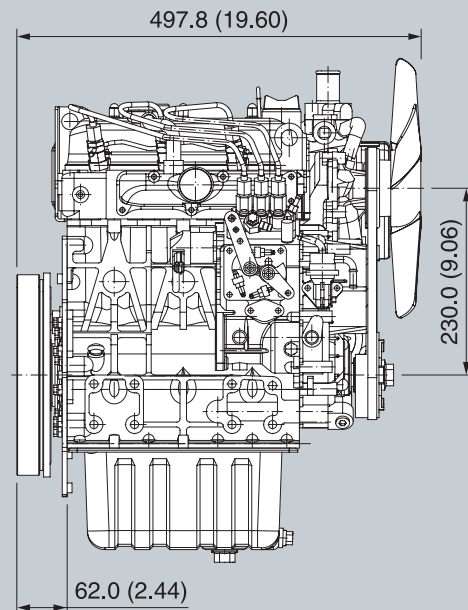
Model		D1005-E4B	
Emission Regulation		Tier 4	
Type		Vertical 4-cycle Liquid Cooled Diesel	
Number of Cylinders		3	
Bore	mm (in)	76.0 (2.99)	
Stroke	mm (in)	73.6 (2.90)	
Displacement	L (cu.in)	1.001 (61.08)	
Combustion System		IDI	
Intake System		Naturally Aspirated	
Maximum Speed	rpm	3000	3200
Output: Gross Intermittent	kW	17.5	18.5
	hp	23.5	24.8
	ps	23.8	25.2
Direction of Rotation		Counterclockwise Viewed on Flywheel	
Oil Pan Capacity	L (gal)	5.1 (1.35)	
Starter Capacity	V-kW	12-1.2	
Alternator Capacity	V-A	12-40	
Length	mm (in)	497.8 (19.60)	
Width	mm (in)	396.0 (15.59)	
Height (1)	mm (in)	608.7 (23.96)	
Height (2)	mm (in)	233.5 (9.19)	
Dry Weight	kg (lb)	93.0 (205.0)	

*Specification is subject to change without notice.

*Output: Gross Intermittent SAE J1995

*Dry weight is according to Kubota's standard specification.
When specification varies, the weight will vary accordingly.

DIMENSIONS



KUBOTA Engine America Corporation

505 Schelter Road, Lincolnshire, IL 60069

Phone: 847-955-2500 Fax: 847-955-2699

www.kubotaengine.com