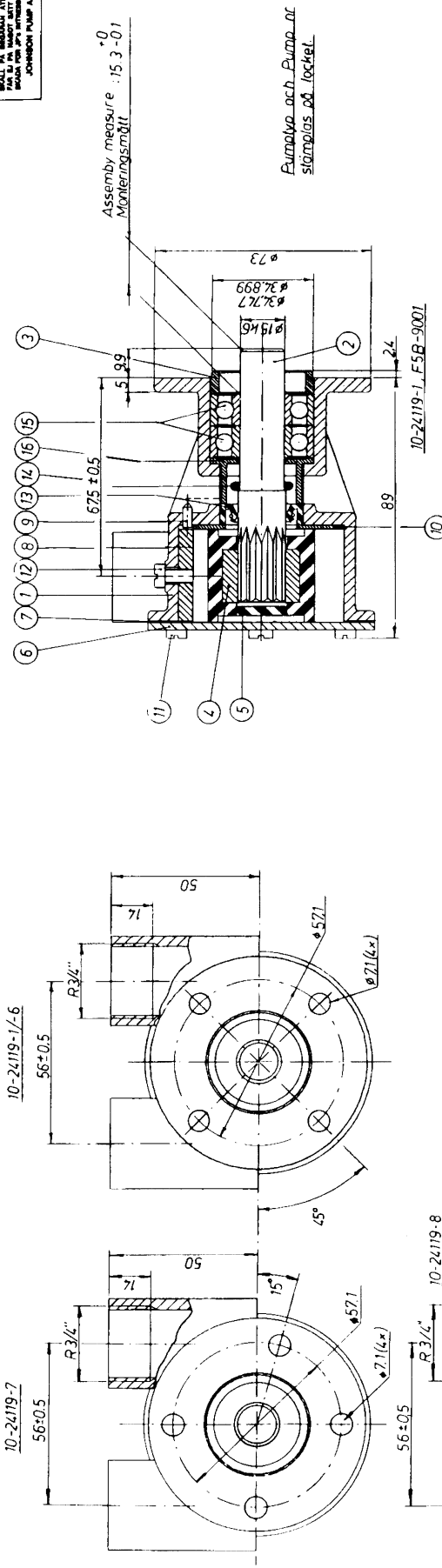


SMÅLL F5B MEDSÅGÅN ATRILLJÄMNAD 3000
 RÖR F5B-9 MED ÅRSTÄLLNINGEN 101
 JOHNSON PUMP AB, ÖRNESKO



Assembly measure
 Monteringsmått

Pumpoly och Pump or
 släpplias på lockel.

PUMP NO	PUMPTYP	BODY	DESCRIPTION	NO	SCREW	COUPLING
PUMP NR	PUMPTYP	PUMPHUS	BENÄMNING	NR	SKRIV	KOPPLING
10-24119-1	F5B-9001	10-24119-1	1/1	01-42397	05-04-117	01-45030
10-24119-2	F5B-9002	10-24119-1	1/1	01-42397	05-04-117	01-45030
10-24119-3	F5B-9022	10-24119-1	1/2	01-45014	05-04-175	01-45031
10-24119-4	F5B-9003	10-24119-1	1/1	01-42397	05-04-117	01-45031
10-24119-5	F5B-9004	10-24119-1	1/1	01-42397	05-04-117	01-45028
10-24119-7	F5B-9006	10-24119-2	1/1	01-42397	05-04-117	01-45030
10-24119-8	F5B-9007	10-24119-3	1/1	01-42397	05-04-117	01-45030

SAE involute splines
 SAE evolvntkugga
 Diametrical pitch 20/40
 Pressure angle 30°
 Pressvinkel 30°
 Number of teeth 13
 Antal kuggar 13
 Major diameter 17.78 ±0.10
 Topdiametern 17.78 ±0.10
 Pitch diameter 16.51
 Delningsdiametern 16.51
 Minor diameter +0
 Kärndiametern 16.88 ±0.20

4301	7	10-24119-8	7.1(8x)	var 162	RE
10-24119-8	7.1(8x)	var 162	7.12 BH	RE	
10-24119-8	7.1(8x)	var 162	20.11 BH	RE	
10-24119-8	7.1(8x)	var 162	23.6 BH	RE	
10-24119-8	7.1(8x)	var 162	14.9 BH	RE	
10-24119-8	7.1(8x)	var 162	12.9 BH	RE	
10-24119-8	7.1(8x)	var 162	23.6 BH	RE	
10-24119-8	7.1(8x)	var 162	23.6 BH	RE	

Detail	Amount	Material	Dimension	Ann. w. rth. nr
SPINES COUPLING	20	1	SEE TABLE	SEE TABLE
SPINES COUPLING	19	1	SEE TABLE	SEE TABLE
TOOTHED COUPLING	18	1	SEE TABLE	SEE TABLE
TOOTHED COUPLING	17	1	SEE TABLE	SEE TABLE
WASHER	16	1	SEE TABLE	SEE TABLE
BALL BEARING	15	2	6202 2RS	05-08-173
O-RING	14	1	12.1x2.4	05-05-500
LIP SEAL	13	1	18x28x7	05-08-100
SCREW	12	1	SEE TABLE	SEE TABLE
SCREW	11	6	05-05-163	05-05-163
WEAR PLATE	10	1	SEE TABLE	SEE TABLE
CAM	9	1	01-42399	01-42399
GASRET	8	1	01-42400	01-42400
ENDCOVER	7	1	01-42398	01-42398
RUBBER WASHER	6	1	01-42446	01-42446
IMPELLER	5	1	08-10278	08-10278
GUIDE	4	1	01-45022	01-45022
SHAFT	3	1	01-45187	01-45187
AXLE	2	1	SEE TABLE	SEE TABLE
PUMPHUS	1	1	SEE TABLE	SEE TABLE

Dimensions in mm.
 Mått i mm

Johnson Pump AB
 The Johnson Impellerpump
 F5B-9, 10-24119
 Scale: 1:1