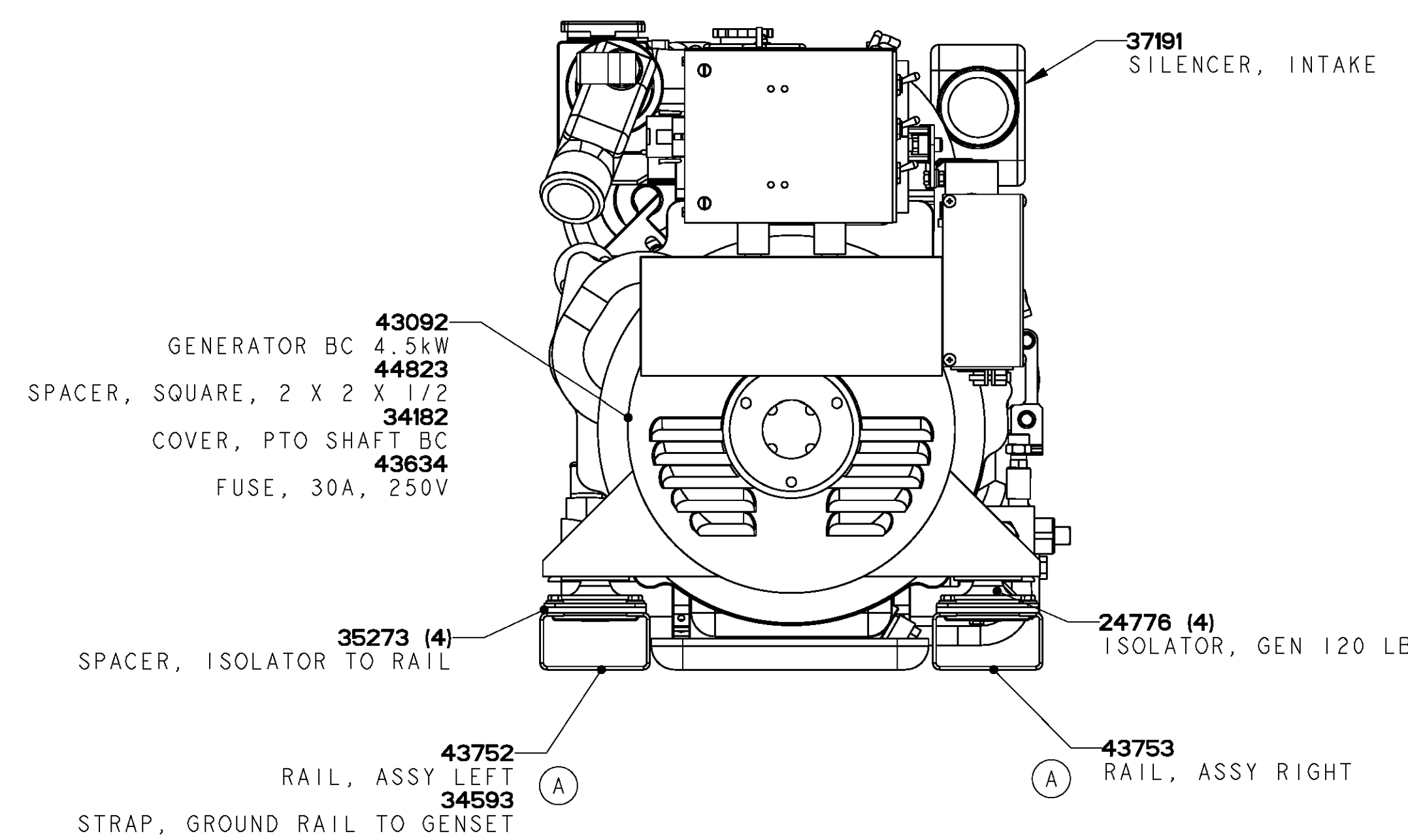
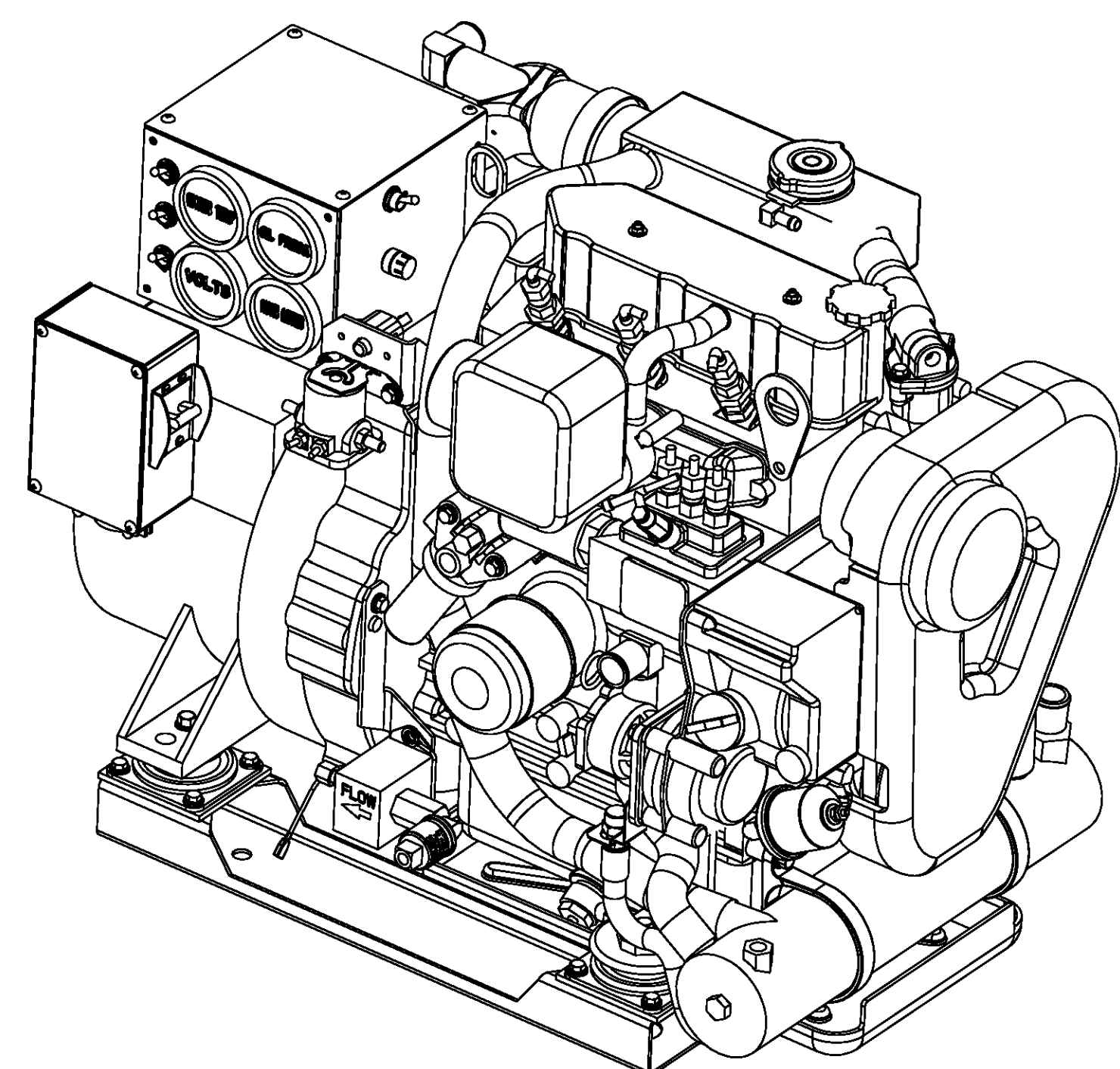
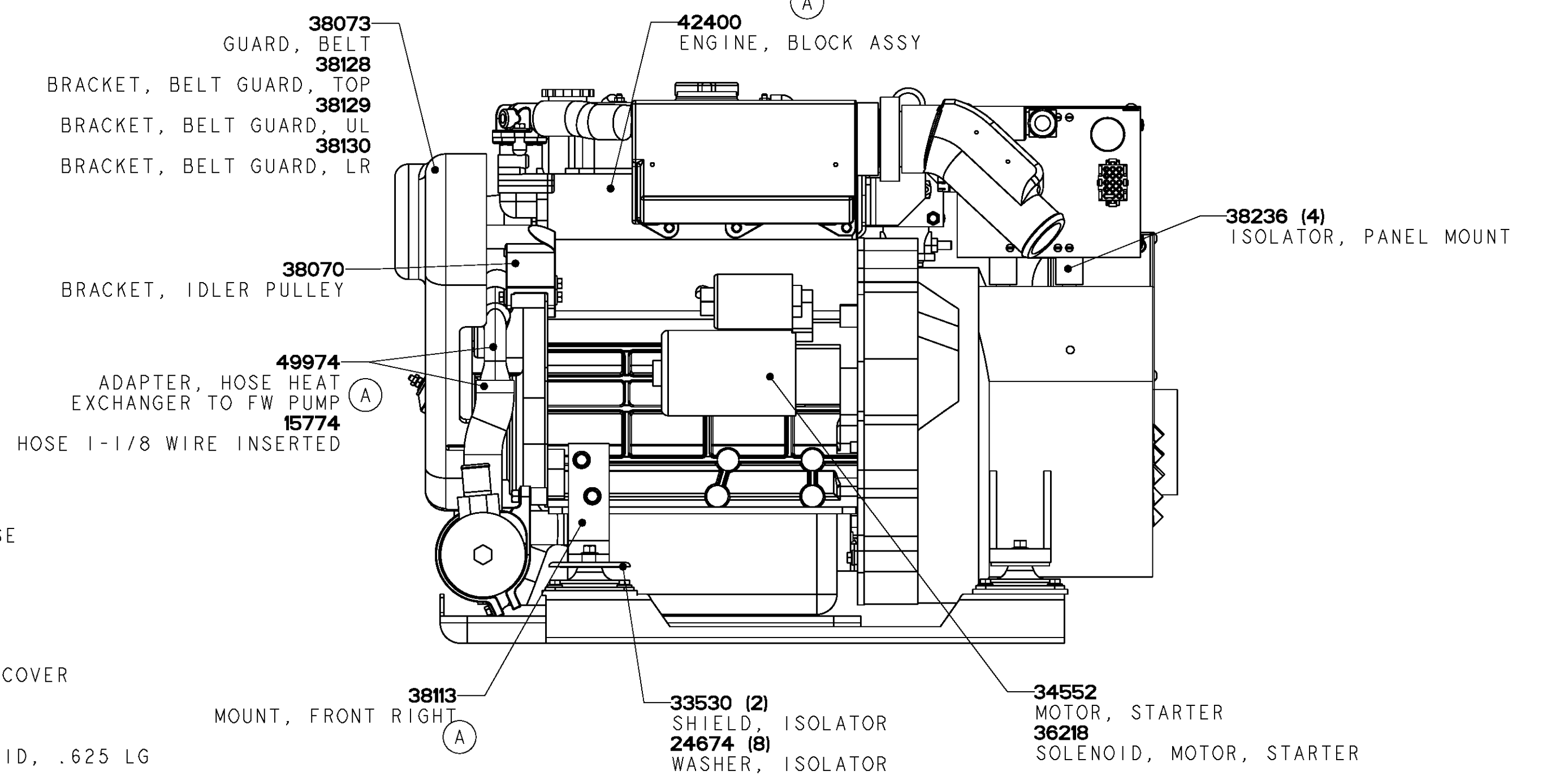
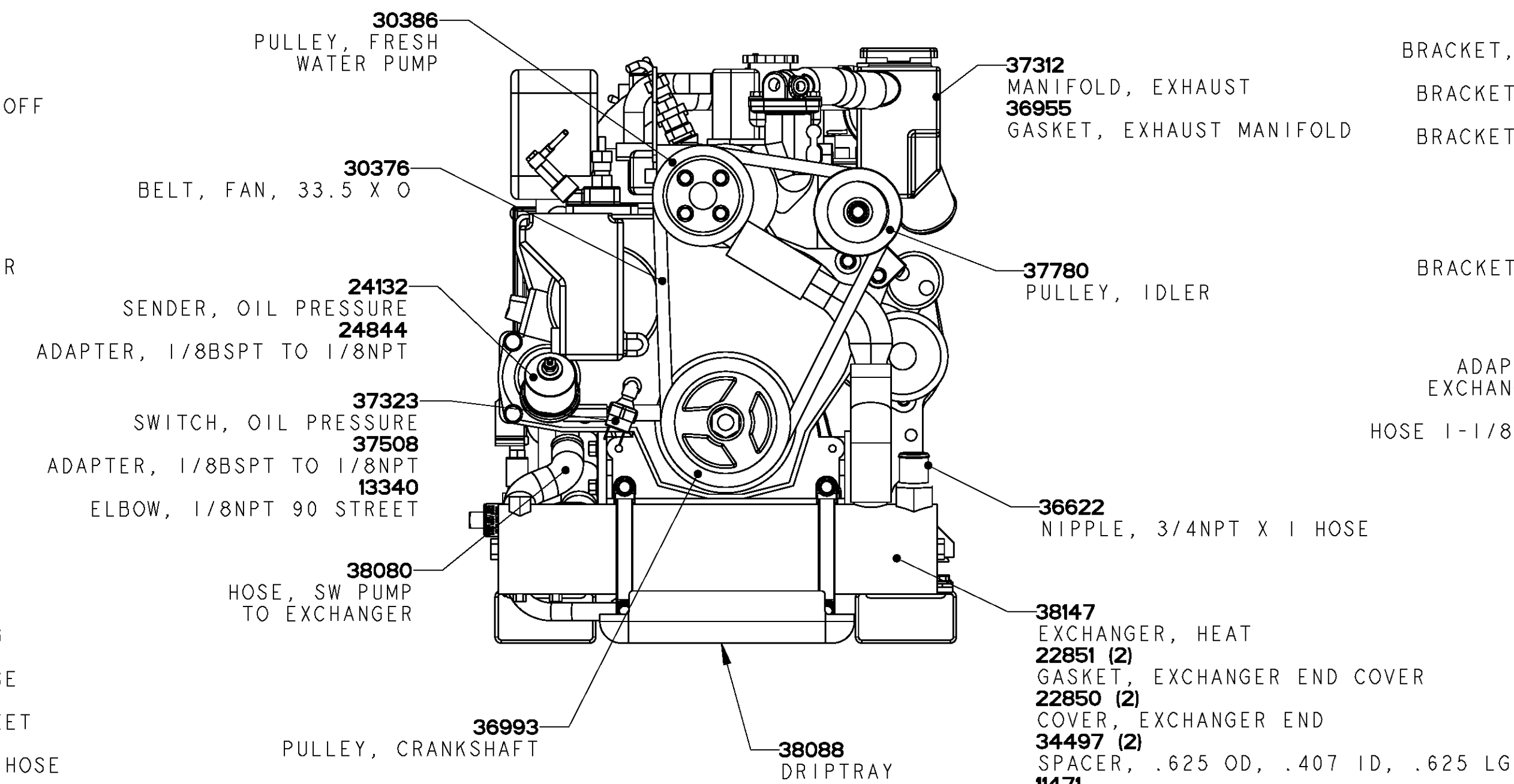
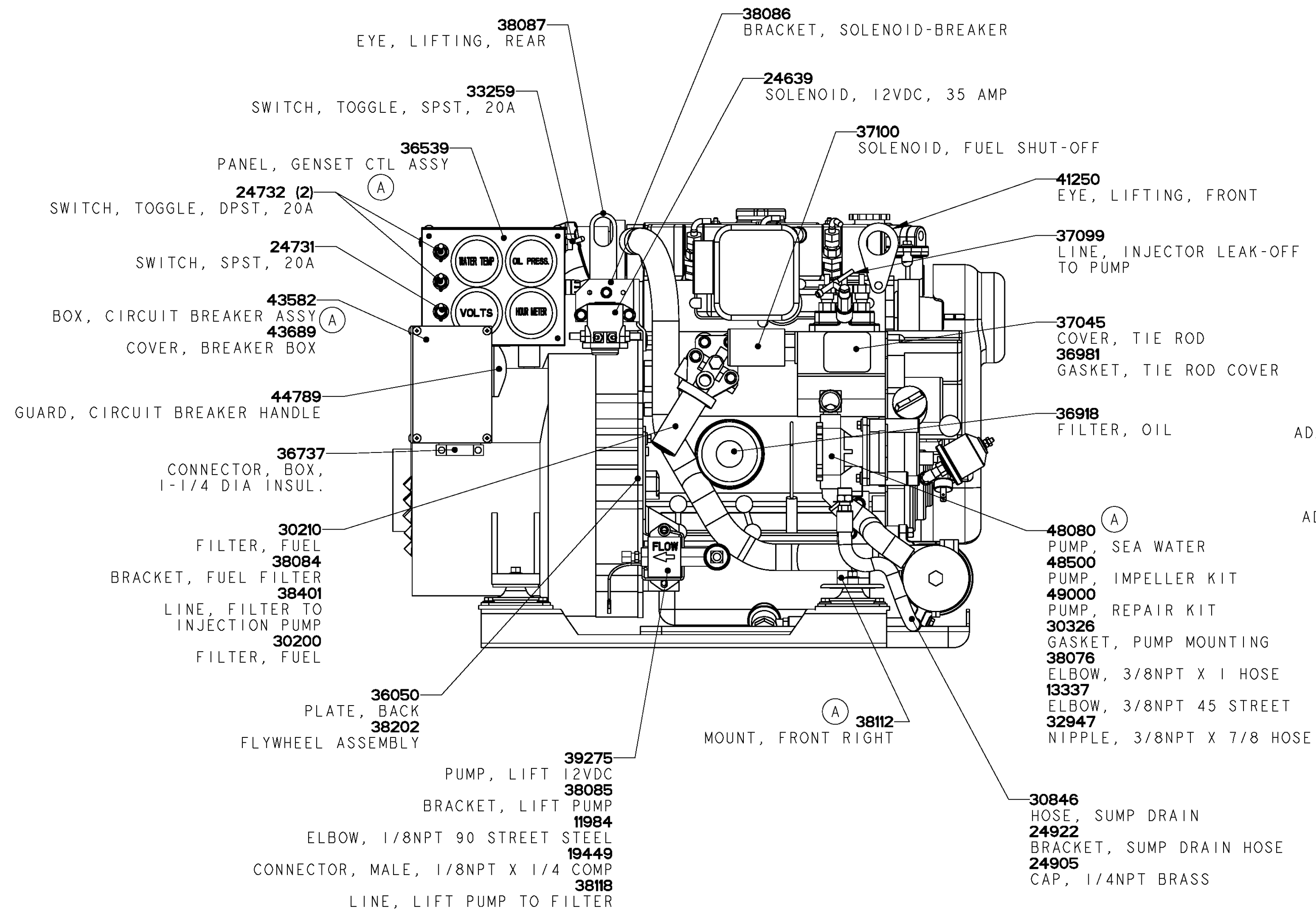
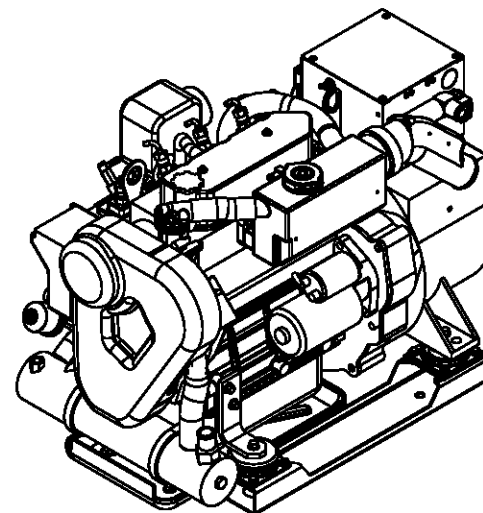
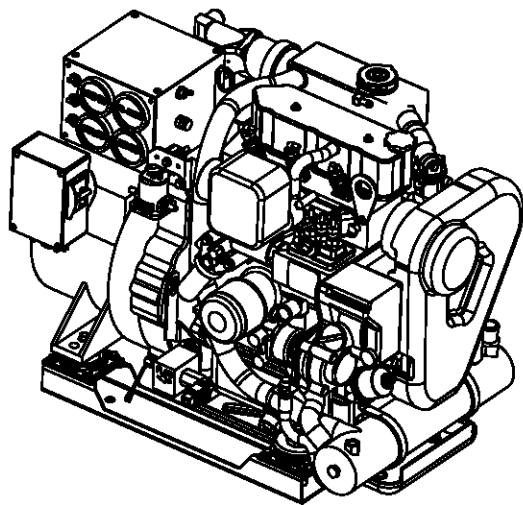


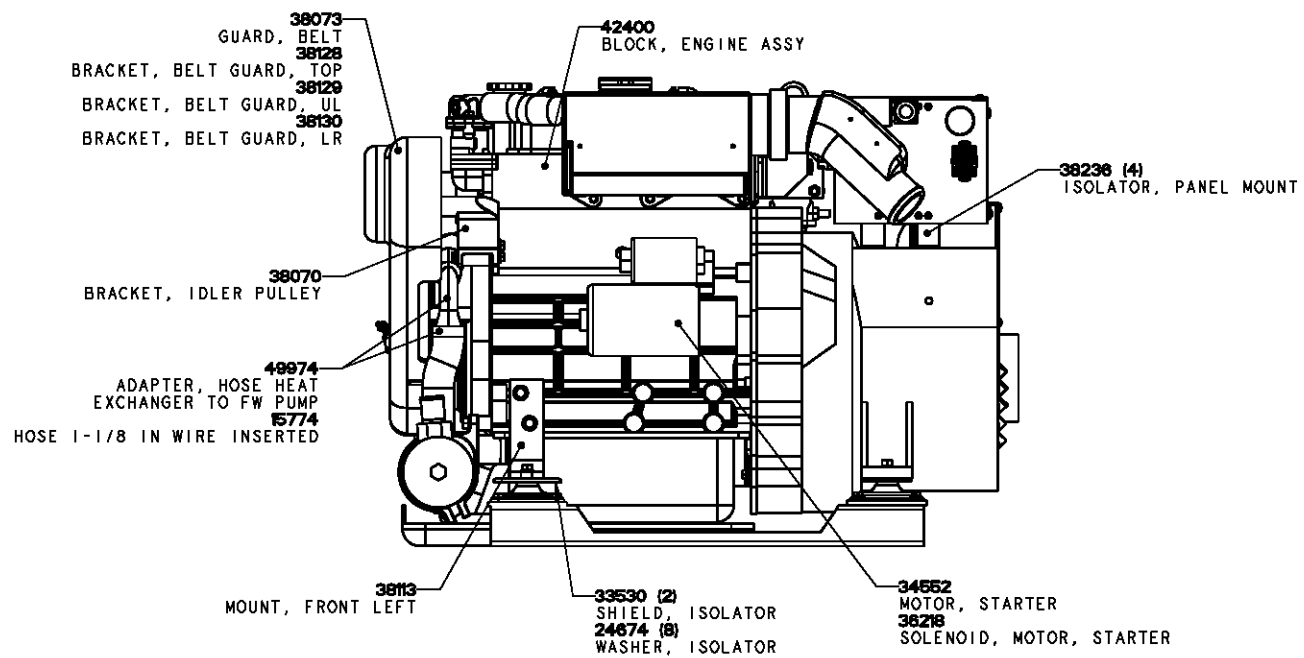
| FAST MOVING PARTS | | | |
|-------------------|--------------------------------|-------|-----------------------------------|
| 30376 | BELT, FAN, 33.5 X 0 | 13758 | PAINT, RED AEROSOL |
| 24306 | CAP, PRESSURE | 42307 | PAINT, WHITE AEROSOL |
| 35981 | CHARGER, BATTERY 12VDC | 36539 | PANEL, GENSET CONTROL |
| 43422 | CIRCUIT BREAKER, 25 AMP | 24943 | PANEL, REMOTE START/STOP |
| 45596 | CIRCUIT BREAKER, 30 AMP | 24732 | PREHEAT & START SWITCH |
| 41081 | DIODE | 37015 | PUMP, FRESH WATER |
| 37072 | DIPSTICK | 39275 | PUMP, FUEL LIFT |
| 30257 | ELECTRONIC VOLTAGE REGULATOR | 48500 | PUMP, IMPELLER KIT |
| 33259 | EMERGENCY STOP SWITCH | 30326 | PUMP, SEA WATER MOUNTING GASKET |
| 32923 | EXHAUST TEMPERATURE SWITCH | 36957 | PUMP, FRESH WATER MOUNTING GASKET |
| 30548 | FILTER, ELECTRIC LIFT | 49000 | PUMP, SEA WATER REPAIR KIT |
| 30200 | FILTER, FUEL OIL | 48080 | PUMP, SEA WATER |
| 36918 | FILTER, LUBE OIL | 45050 | HOSE KIT |
| 37121 | FUEL HARDWARE KIT | 43649 | RECTIFIER |
| 43561 | GASKET SET, COMPLETE | 40078 | REMOTE LUBE OIL FILTER |
| 43560 | GASKET SET, UPPER | 37191 | SILENCER, AIR INTAKE |
| 36425 | GASKET, EX ELBOW TO MANIFOLD | 37100 | SOLENOID, FUEL SHUT-OFF |
| 43550 | GASKET, HEAD | 24639 | SOLENOID, PREHEAT |
| 36988 | GASKET, OIL PAN | 38350 | SPARE PARTS KIT A |
| 36961 | GLOWPLUG | 43652 | SPARE PARTS KIT B |
| 30760 | HARNES, 15 FT, EXT 8 PIN | 34552 | STARTER MOTOR |
| 38147 | HEAT EXCHANGER | 36218 | STARTER SOLENOID |
| 22850 | HEAT EXCHANGER END CAP | 24731 | SWITCH, STOP |
| 22851 | HEAT EXCHANGER GASKET | 24977 | TANK, COOLANT RECOVERY |
| 43555 | INJECTION PUMP | 37043 | THERMOSTAT |
| 37091 | INJECTOR | 36956 | THERMOSTAT MOUNTING GASKET |
| 36935 | INJECTOR NOZZLE | 37007 | VALVE COVER GASKET |
| 37099 | INJECTOR RETURN LINE | 37605 | VOLTMETER |
| 24776 | ISOLATOR, FRONT & REAR | 37402 | WATER INJ. EXHAUST ELBOW 45 |
| 45305 | MANUAL, OPERATOR | 33342 | WATER INJ. EXHAUST ELBOW 90 |
| 43268 | MANUAL, INSTALL MARINE ENG/GEN | 37601 | WATER TEMPERATURE METER |
| 37603 | OIL PRESSURE METER | 35109 | WATER TEMPERATURE SENDER |
| 24132 | OIL PRESSURE SENDER | 39550 | WATER TEMPERATURE SWITCH |
| 37323 | OIL PRESSURE SWITCH | 11885 | ZINC |
| ITEMS NOT SHOWN | | | |
| 43841 | HARNES, GENSET, SRC | | |

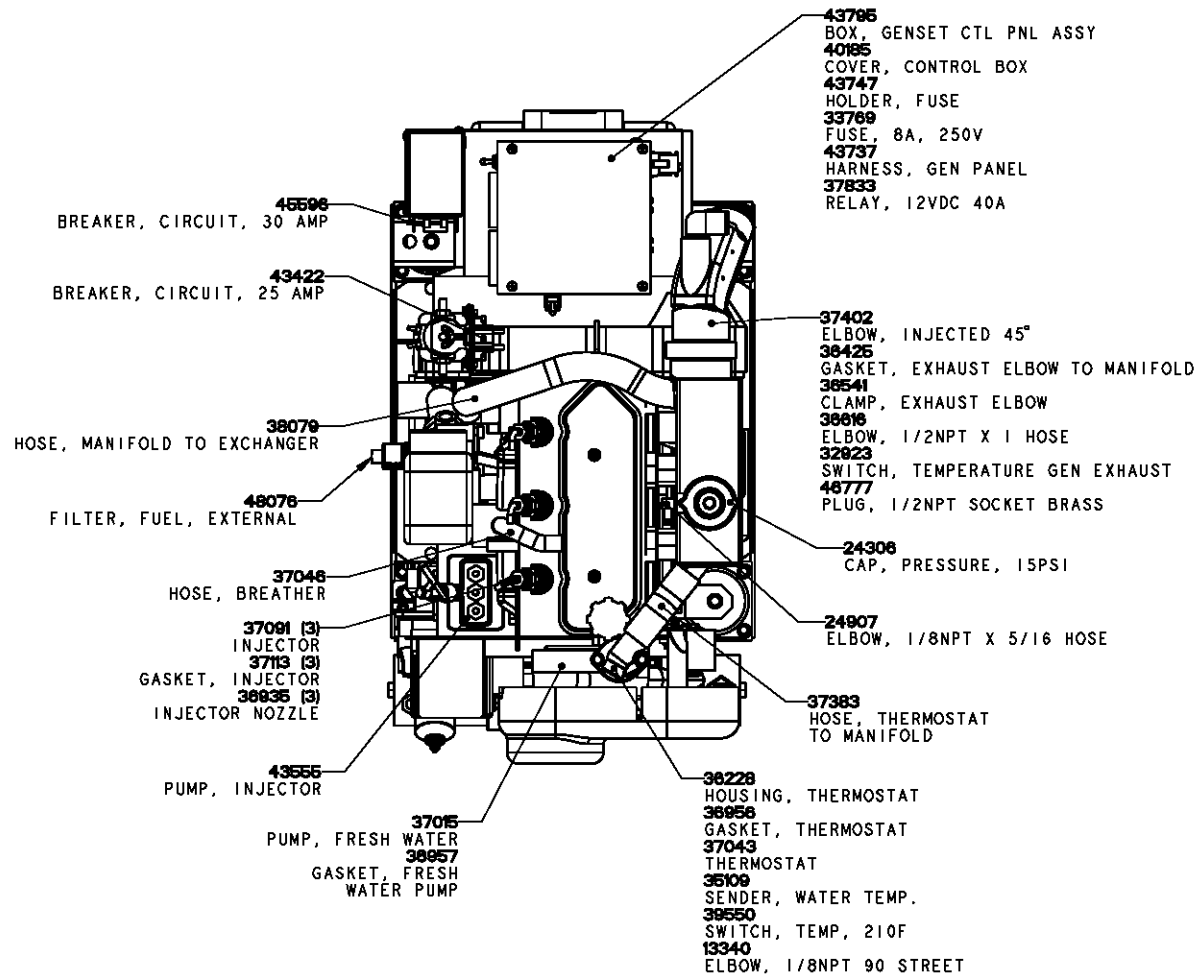


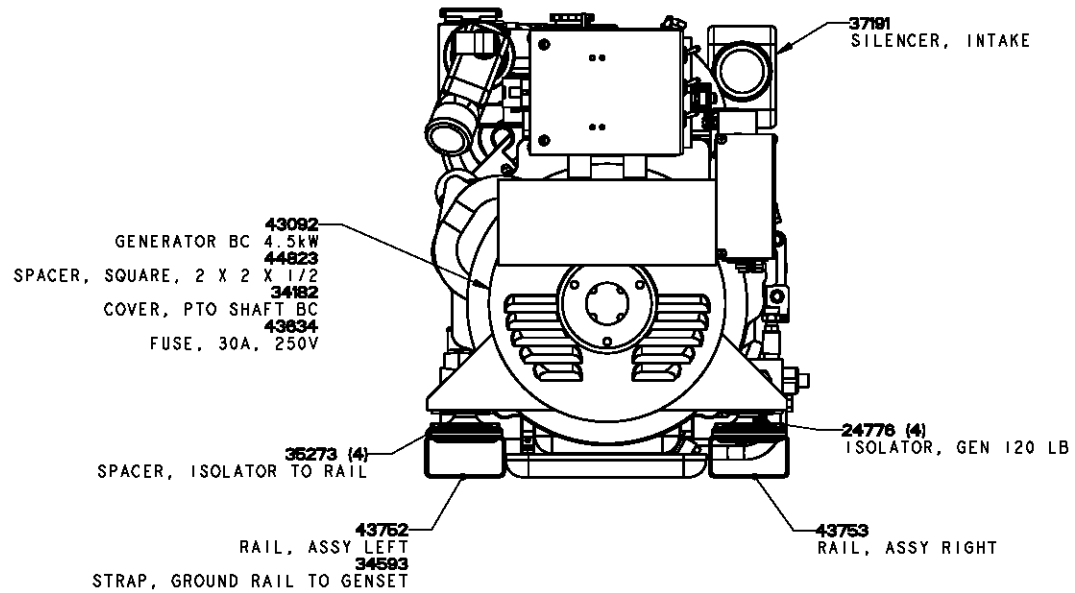
| | | | |
|----------------------------------------|-------------|----------------------------------------------|----------------|
| TOLERANCES (UNLESS OTHERWISE NOTED) | | WESTERBEKE CORPORATION TAUNTON, MA. 02780 | |
| INCHES | MILLIMETERS | TITLE | |
| .XX | X ± .001 | PARTS LIST - 4.0 BCD | |
| .XX | .XX ± .001 | | |
| .XX | .XX ± .001 | | |
| FINISH | | | |
| DIMENSIONS | APPROVED BY | DATE | MATERIAL |
| INCHES | | 04/JUN/03 | |
| MILLIMETERS | | | |
| (WHEN APPLICABLE) | SCALE 0.250 | SIZE | DRAWING NUMBER |
| | SHT. 1 OF 1 | E | 48506 |
| | | | A |

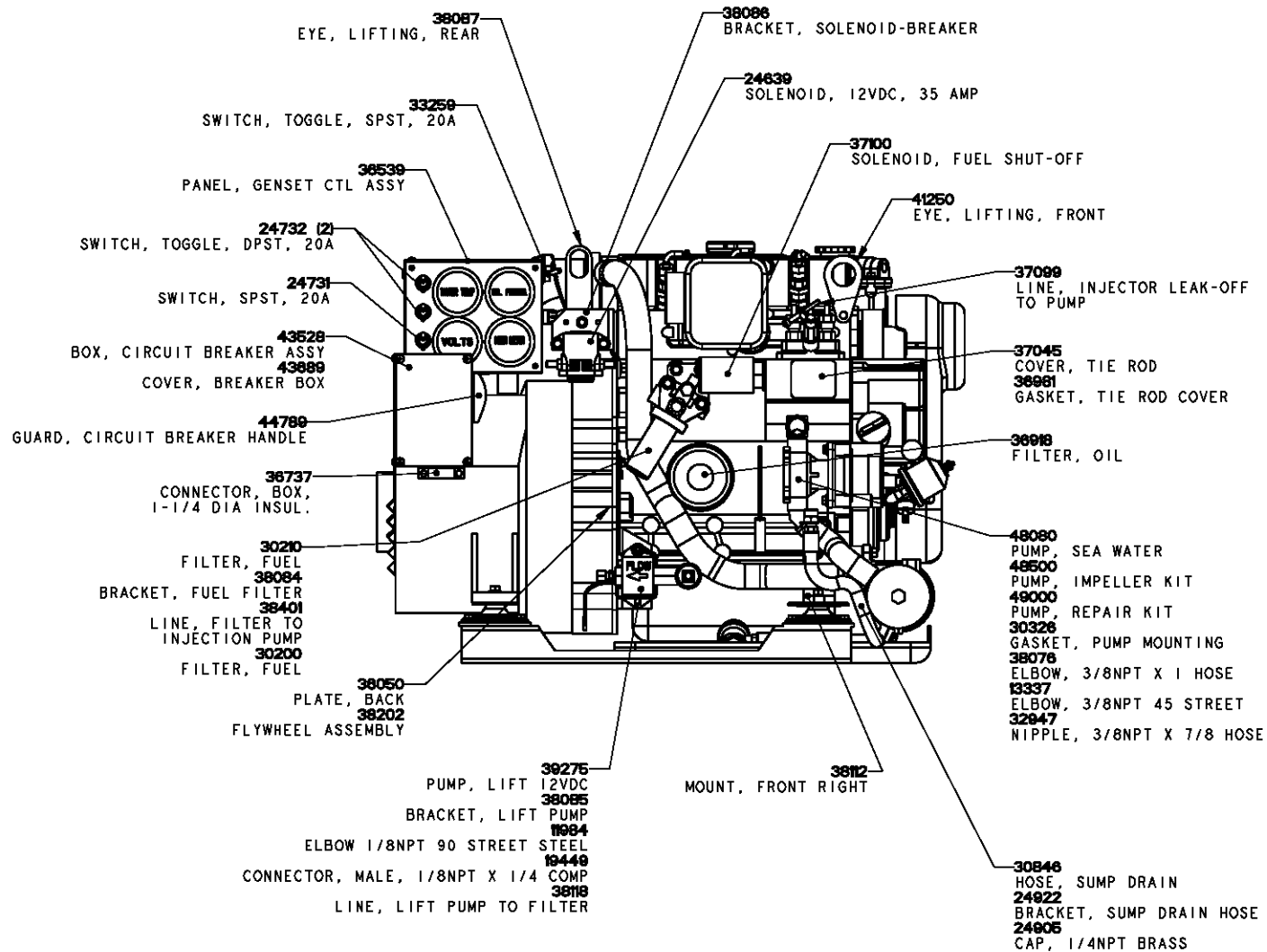
| FAST MOVING PARTS | | | |
|-------------------|--------------------------------|-------|-----------------------------------|
| 30378 | BELT, FAN, 33.5 X O | 13758 | PAINT, RED AEROSOL |
| 24308 | CAP, PRESSURE | 42307 | PAINT, WHITE AEROSOL |
| 35981 | CHARGER, BATTERY 12VDC | 36539 | PANEL, GENSET CONTROL |
| 43422 | CIRCUIT BREAKER, 25 AMP | 24943 | PANEL, REMOTE START/STOP |
| 45596 | CIRCUIT BREAKER, 30 AMP | 24732 | PREHEAT & START SWITCH |
| 41061 | DIODE | 3706 | PUMP, FRESH WATER |
| 37072 | DIPSTICK | 39275 | PUMP, FUEL LIFT |
| 30257 | ELECTRONIC VOLTAGE REGULATOR | 48500 | PUMP, IMPELLER KIT |
| 33259 | EMERGENCY STOP SWITCH | 30326 | PUMP, SEA WATER MOUNTING GASKET |
| 32923 | EXHAUST TEMPERATURE SWITCH | 38957 | PUMP, FRESH WATER MOUNTING GASKET |
| 30648 | FILTER, ELECTRIC LIFT | 49000 | PUMP, SEA WATER REPAIR KIT |
| 30200 | FILTER, FUEL OIL | 48080 | PUMP, SEA WATER |
| 38918 | FILTER, LUBE OIL | 45050 | HOSE KIT |
| 37121 | FUEL HARDWARE KIT | 43649 | RECTIFIER |
| 43561 | GASKET SET, COMPLETE | 40078 | REMOTE LUBE OIL FILTER |
| 43560 | GASKET SET, UPPER | 37191 | SILENCER, AIR INTAKE |
| 38425 | GASKET, EXHAUST ELBOW | 37100 | SOLENOID, FUEL SHUT-OFF |
| 43550 | GASKET, HEAD | 24639 | SOLENOID, PREHEAT |
| 38988 | GASKET, OIL PAN | 38350 | SPARE PARTS KIT A |
| 38981 | GLOWPLUG | 43852 | SPARE PARTS KIT B |
| 30780 | HARNES, 15 FT, EXT 8 PIN | 34552 | STARTER MOTOR |
| 38147 | HEAT EXCHANGER | 38218 | STARTER SOLENOID |
| 22850 | HEAT EXCHANGER END CAP | 24731 | SWITCH, STOP |
| 22851 | HEAT EXCHANGER GASKET | 24977 | TANK, COOLANT RECOVERY |
| 43555 | INJECTION PUMP | 37043 | THERMOSTAT |
| 37091 | INJECTOR | 38858 | THERMOSTAT MOUNTING GASKET |
| 38835 | INJECTOR NOZZLE | 37007 | VALVE COVER GASKET |
| 37099 | INJECTOR RETURN LINE | 37805 | VOLTMETER |
| 24776 | ISOLATOR, FRONT & REAR | 37402 | WATER INJ. EXHAUST ELBOW 45 |
| 45305 | MANUAL, OPERATOR | 33342 | WATER INJ. EXHAUST ELBOW 90 |
| 43288 | MANUAL, INSTALL MARINE ENG/GEN | 37801 | WATER TEMPERATURE METER |
| 37603 | OIL PRESSURE METER | 35109 | WATER TEMPERATURE SENDER |
| 24132 | OIL PRESSURE SENDER | 39550 | WATER TEMPERATURE SWITCH |
| 37323 | OIL PRESSURE SWITCH | 1885 | ZINC |
| ITEMS NOT SHOWN | | | |
| 43841 | HARNES, GENSET, SRC | | |

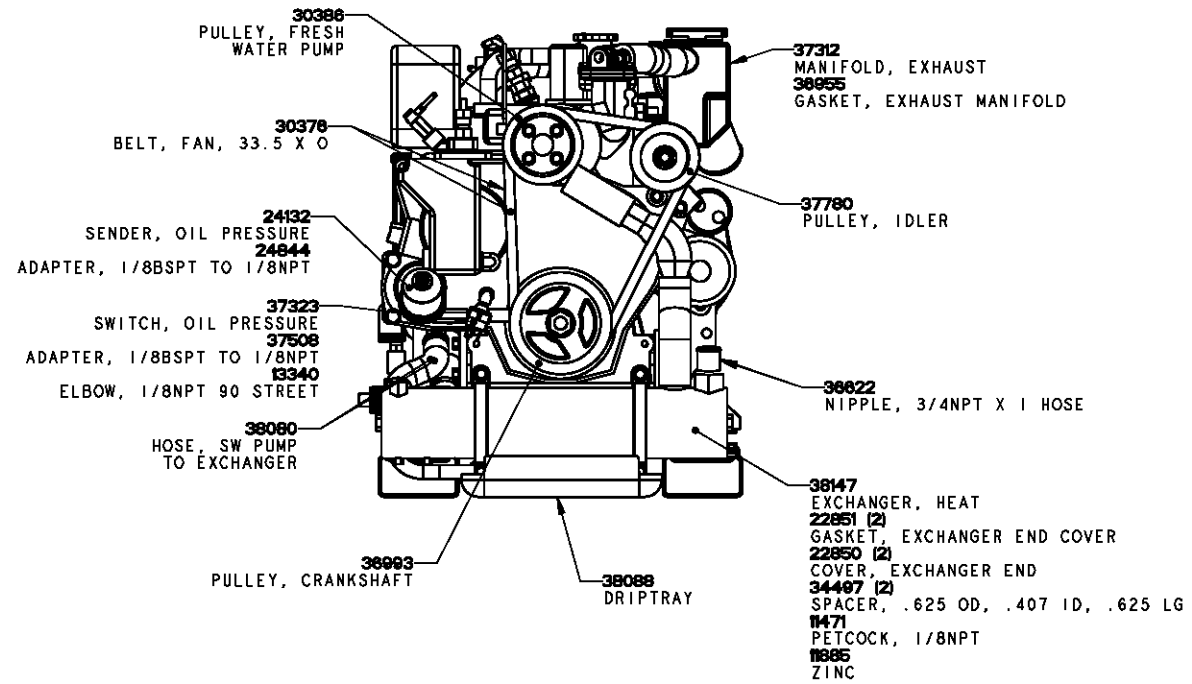


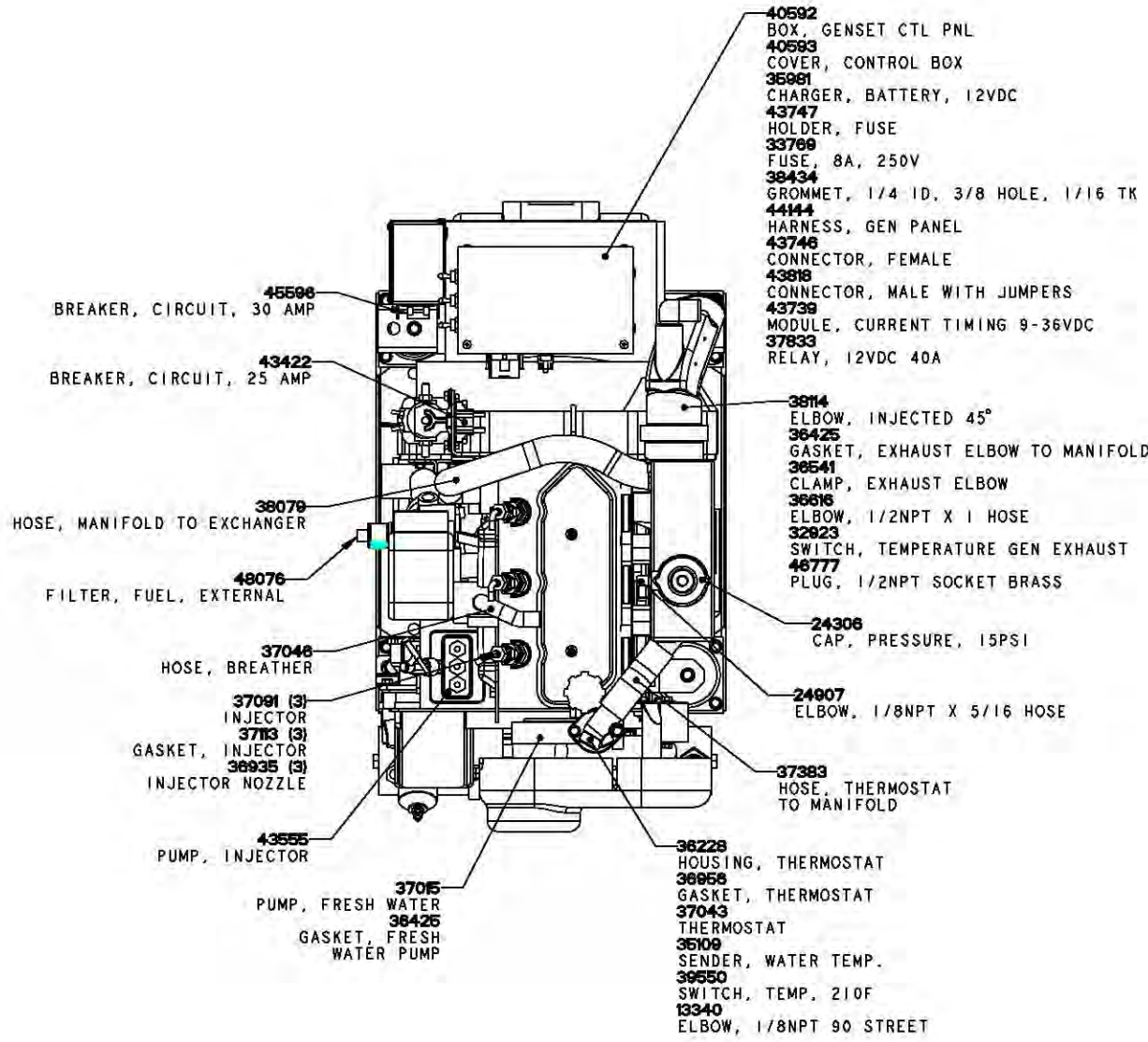
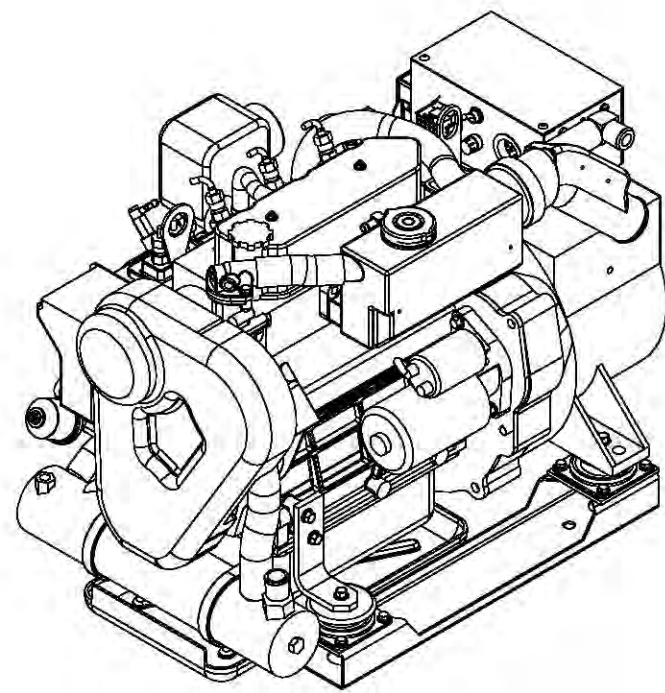




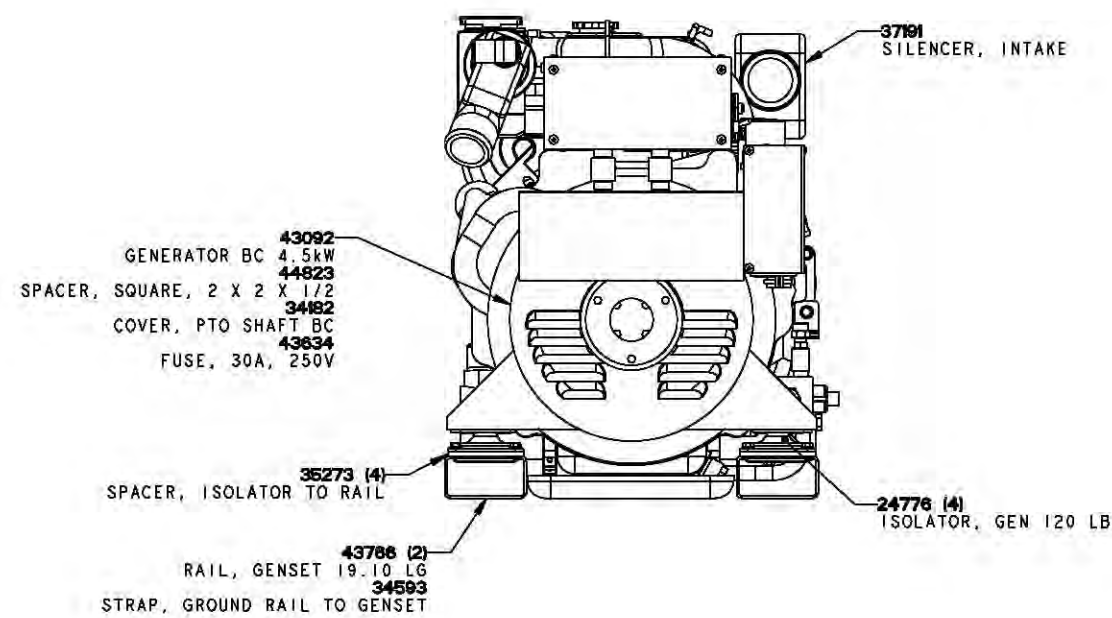
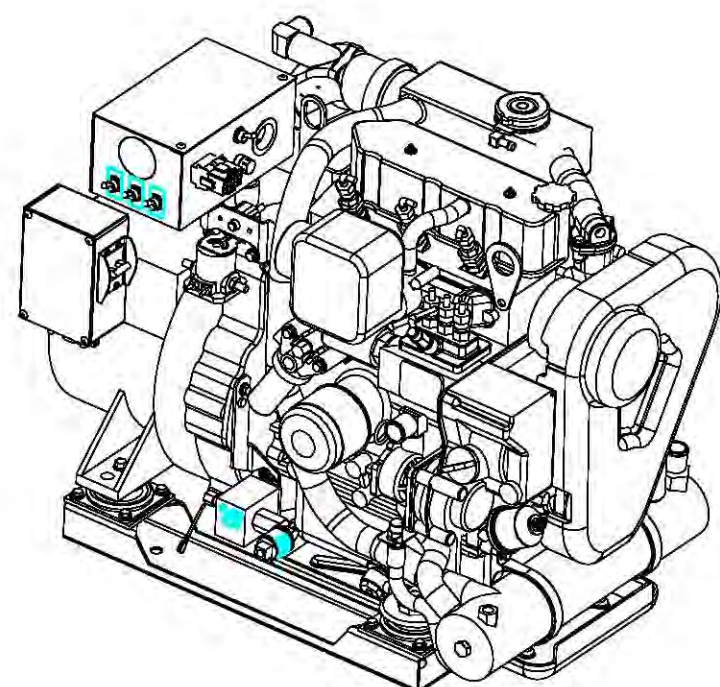
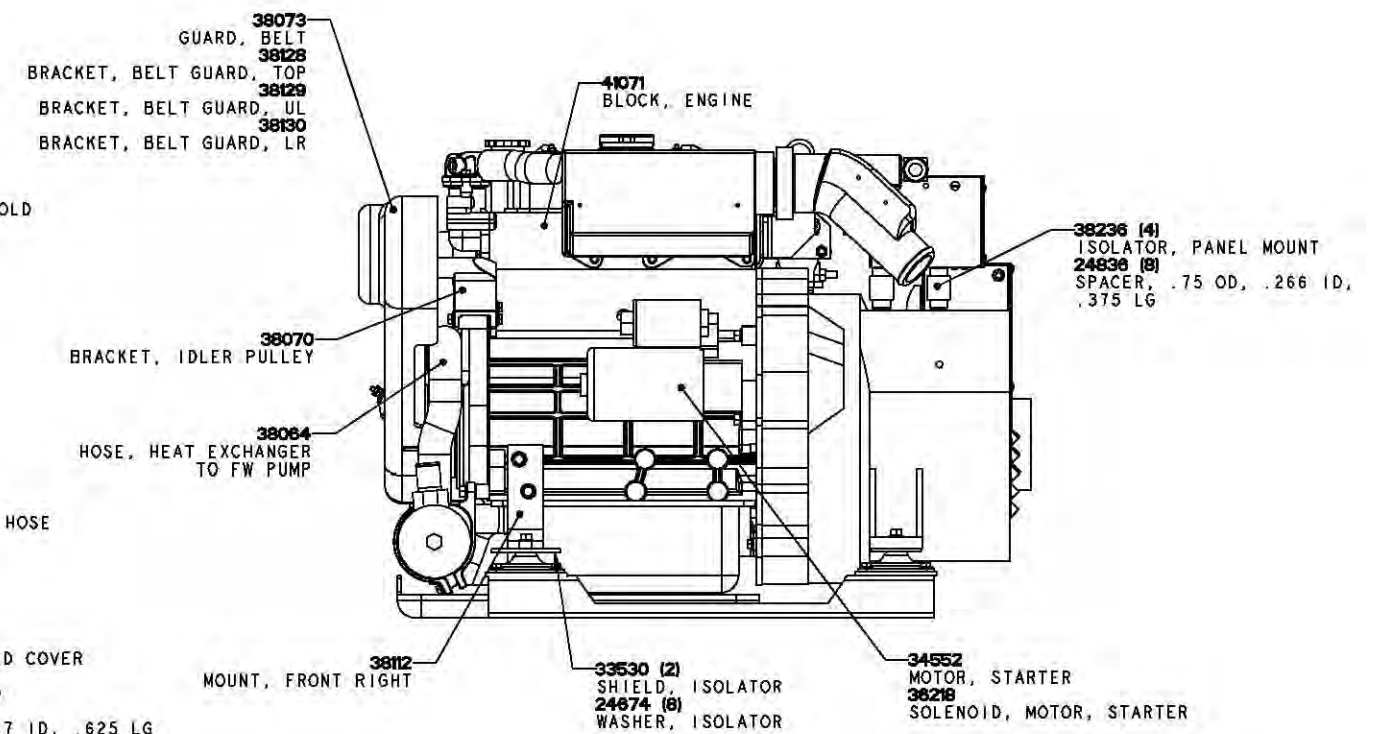
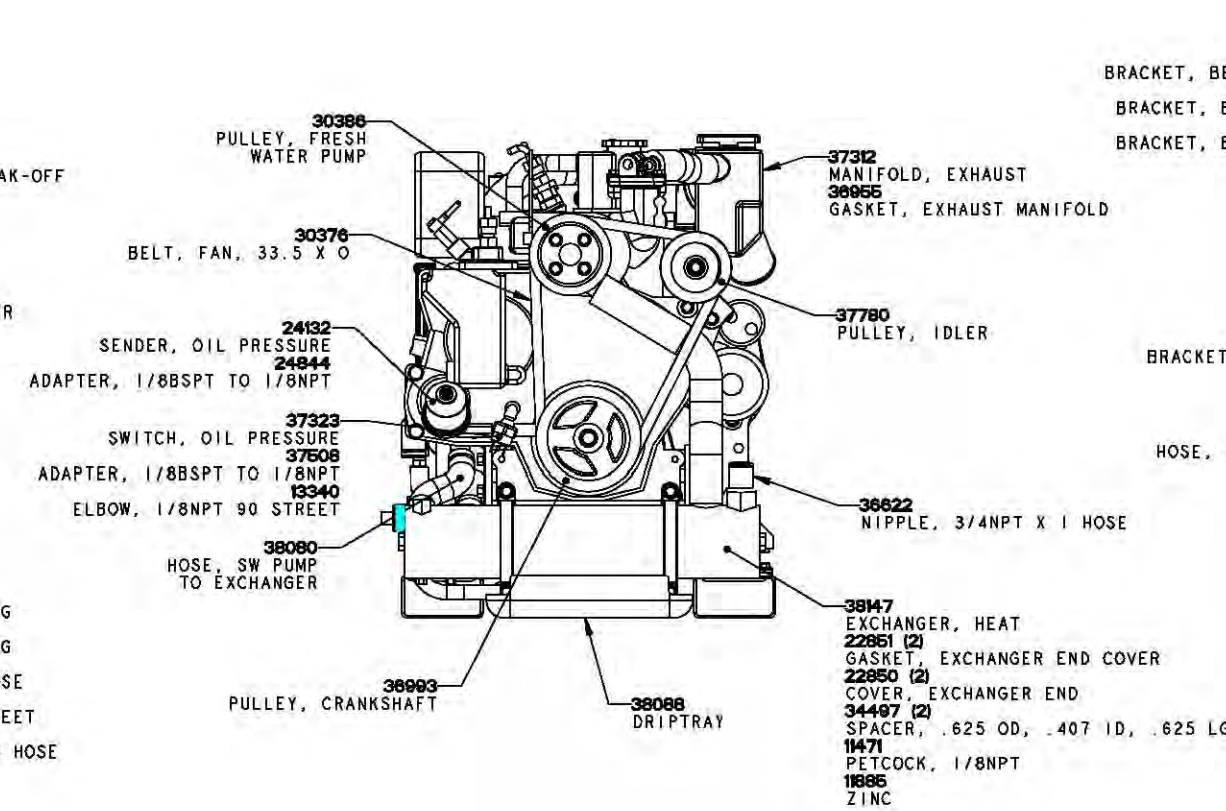
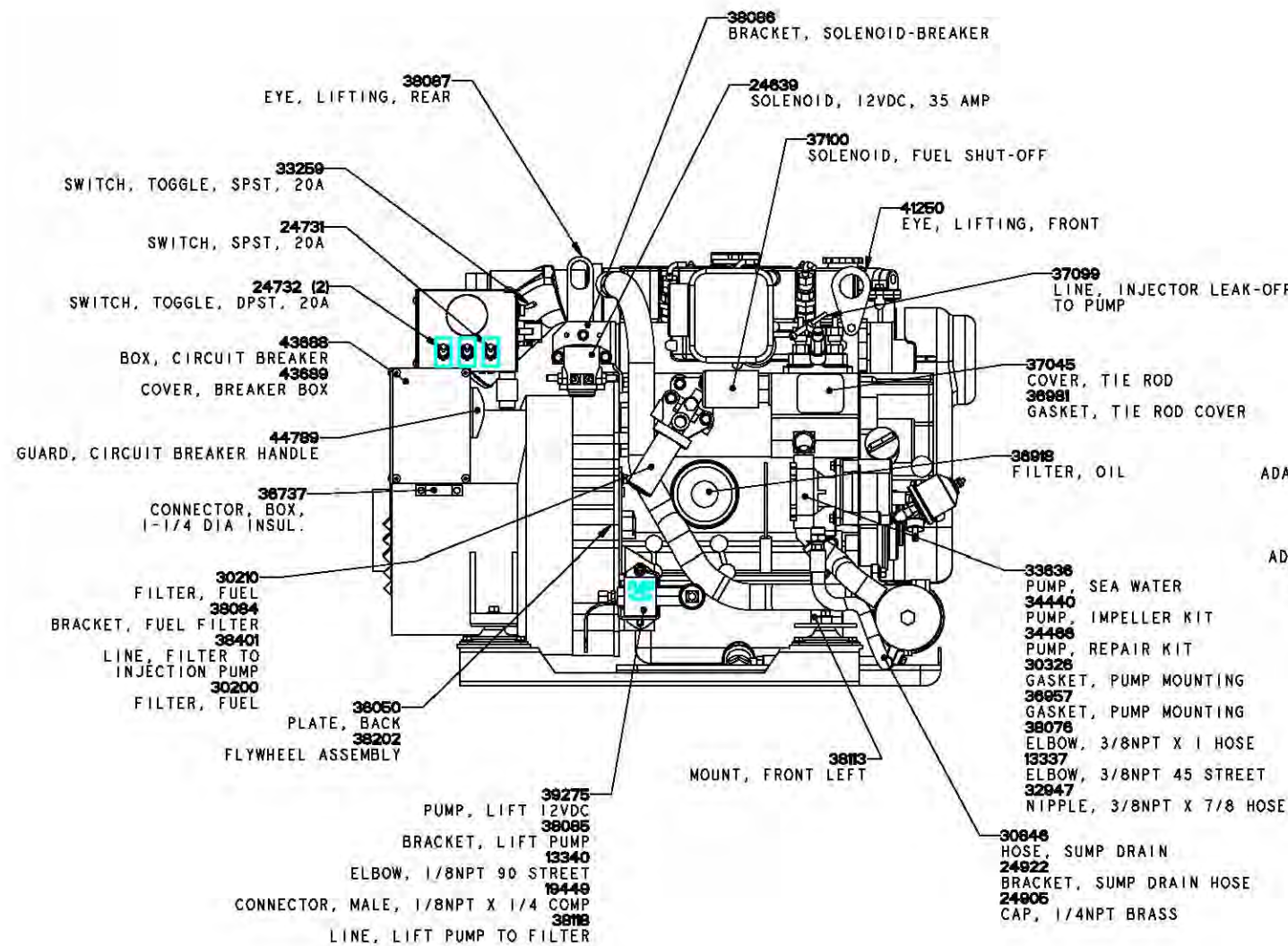








| FAST MOVING PARTS | | | |
|-------------------|--------------------------------|-------|-----------------------------|
| 30376 | BELT, FAN, 33.5 X 0 | 13758 | PAINT, RED AEROSOL |
| 24306 | CAP, PRESSURE | 42307 | PAINT, WHITE AEROSOL |
| 35981 | CHARGER, BATTERY 12VDC | 38539 | PANEL, GENSET CONTROL |
| 43422 | CIRCUIT BREAKER, 25 AMP | 24943 | PANEL, REMOTE START/STOP |
| 45586 | CIRCUIT BREAKER, 30 AMP | 24732 | PREHEAT & START SWITCH |
| 4101 | DIODE | 3705 | PUMP, FRESH WATER |
| 37072 | DIPSTICK | 38275 | PUMP, FUEL LIFT |
| 30257 | ELECTRONIC VOLTAGE REGULATOR | 34440 | PUMP, IMPELLER KIT |
| 33259 | EMERGENCY STOP SWITCH | 30326 | PUMP, MOUNTING GASKET |
| 32023 | EXHAUST TEMPERATURE SWITCH | 38867 | PUMP, MOUNTING GASKET |
| 30548 | FILTER, ELECTRIC LIFT | 34486 | PUMP, REPAIR KIT |
| 30200 | FILTER, FUEL OIL | 33836 | PUMP, SEA WATER |
| 38918 | FILTER, LUBE OIL | 33043 | PUMP, SEAL |
| 37121 | FUEL HARDWARE KIT | 43648 | RECTIFIER |
| 43581 | GASKET SET, COMPLETE | 40078 | REMOTE LUBE OIL FILTER |
| 43580 | GASKET SET, UPPER | 37191 | SILENCER, AIR INTAKE |
| 38425 | GASKET, FRESH WATER PUMP | 37100 | SOLENOID, FUEL SHUT-OFF |
| 43550 | GASKET, HEAD | 24639 | SOLENOID, PREHEAT |
| 38988 | GASKET, OIL PAN | 38350 | SPARE PARTS KIT A |
| 38981 | GLOWPLUG | 43852 | SPARE PARTS KIT B |
| 30780 | HARNESS, 15 FT, EXT 8 PIN | 34552 | STARTER MOTOR |
| 38147 | HEAT EXCHANGER | 38218 | STARTER SOLENOID |
| 22850 | HEAT EXCHANGER END CAP | 24731 | SWITCH, STOP |
| 22851 | HEAT EXCHANGER GASKET | 24977 | TANK, COOLANT RECOVERY |
| 43555 | INJECTION PUMP | 37043 | THERMOSTAT |
| 37091 | INJECTOR | 38858 | THERMOSTAT MOUNTING GASKET |
| 38935 | INJECTOR NOZZLE | 37007 | VALVE COVER GASKET |
| 37099 | INJECTOR RETURN LINE | 37805 | VOLTMETER |
| 24778 | ISOLATOR, FRONT & REAR | 3814 | WATER INJ. EXHAUST ELBOW 45 |
| 45305 | MANUAL, OPERATOR | 33342 | WATER INJ. EXHAUST ELBOW 90 |
| 43288 | MANUAL, INSTALL MARINE ENG/GEN | 37801 | WATER TEMPERATURE METER |
| 37803 | OIL PRESSURE METER | 38109 | WATER TEMPERATURE SENDER |
| 24132 | OIL PRESSURE SENDER | 38650 | WATER TEMPERATURE SWITCH |
| 37323 | OIL PRESSURE SWITCH | 1895 | ZINC |
| ITEMS NOT SHOWN | | | |
| 44903 | HARNESS, GENSET, SRC | | |



| | | | |
|----------------------------------------|----------|----------------------------------------------|----------------|
| TOLERANCES (UNLESS OTHERWISE NOTED) | | WESTERBEKE CORPORATION TAUNTON, MA. 02780 | |
| INCHES MILLIMETERS | | PARTS LIST - 4.0 BCD | |
| XX ± .02 | XX ± 0.5 | DATE | MATERIAL |
| XX ± .03 | XX ± .13 | APPROVED BY | DATE |
| FINISH | | SCALE 0.250 | DRAWING NUMBER |
| | | DATE 1 OF 1 | E 48506 |

| FAST MOVING PARTS | | | |
|-------------------|--------------------------------|-------|-----------------------------|
| 30376 | BELT, FAN, 33.5 X O | 13758 | PAINT, RED AEROSOL |
| 24306 | CAP, PRESSURE | 42307 | PAINT, WHITE AEROSOL |
| 35981 | CHARGER, BATTERY 12VDC | 36539 | PANEL, GENSET CONTROL |
| 43422 | CIRCUIT BREAKER, 25 AMP | 24943 | PANEL, REMOTE START/STOP |
| 45596 | CIRCUIT BREAKER, 30 AMP | 24732 | PREHEAT & START SWITCH |
| 41081 | DIODE | 37015 | PUMP, FRESH WATER |
| 37072 | DIPSTICK | 39275 | PUMP, FUEL LIFT |
| 30257 | ELECTRONIC VOLTAGE REGULATOR | 34440 | PUMP, IMPELLER KIT |
| 33259 | EMERGENCY STOP SWITCH | 30326 | PUMP, MOUNTING GASKET |
| 32923 | EXHAUST TEMPERATURE SWITCH | 36957 | PUMP, MOUNTING GASKET |
| 30548 | FILTER, ELECTRIC LIFT | 34466 | PUMP, REPAIR KIT |
| 30200 | FILTER, FUEL OIL | 33636 | PUMP, SEA WATER |
| 36918 | FILTER, LUBE OIL | 33043 | PUMP, SEAL |
| 37121 | FUEL HARDWARE KIT | 43649 | RECTIFIER |
| 43561 | GASKET SET, COMPLETE | 40078 | REMOTE LUBE OIL FILTER |
| 43560 | GASKET SET, UPPER | 37191 | SILENCER, AIR INTAKE |
| 36425 | GASKET, FRESH WATER PUMP | 37100 | SOLENOID, FUEL SHUT-OFF |
| 43550 | GASKET, HEAD | 24639 | SOLENOID, PREHEAT |
| 36988 | GASKET, OIL PAN | 38350 | SPARE PARTS KIT A |
| 36961 | GLOWPLUG | 43652 | SPARE PARTS KIT B |
| 30760 | HARNESS, 15 FT, EXT 8 PIN | 34552 | STARTER MOTOR |
| 38147 | HEAT EXCHANGER | 36218 | STARTER SOLENOID |
| 22850 | HEAT EXCHANGER END CAP | 24731 | SWITCH, STOP |
| 22851 | HEAT EXCHANGER GASKET | 24977 | TANK, COOLANT RECOVERY |
| 43555 | INJECTION PUMP | 37043 | THERMOSTAT |
| 37091 | INJECTOR | 36956 | THERMOSTAT MOUNTING GASKET |
| 36935 | INJECTOR NOZZLE | 37007 | VALVE COVER GASKET |
| 37099 | INJECTOR RETURN LINE | 37605 | VOLTMETER |
| 24776 | ISOLATOR, FRONT & REAR | 38114 | WATER INJ. EXHAUST ELBOW 45 |
| 45305 | MANUAL, OPERATOR | 33342 | WATER INJ. EXHAUST ELBOW 90 |
| 43268 | MANUAL, INSTALL MARINE ENG/GEN | 37601 | WATER TEMPERATURE METER |
| 37603 | OIL PRESSURE METER | 35109 | WATER TEMPERATURE SENDER |
| 24132 | OIL PRESSURE SENDER | 39550 | WATER TEMPERATURE SWITCH |
| 37323 | OIL PRESSURE SWITCH | 11885 | ZINC |
| ITEMS NOT SHOWN | | | |
| 44903 | HARNESS, GENSET, SRC | | |

