

# **PARTS LIST**

## **WESTERBEKE**

**7.6 BTD - 60 Hz**

**5.7 BTD - 50 Hz**

### **Marine Diesel Generators**

**Publication # 041800**

**Edition One**

**April 1997**



*WESTERBEKE CORPORATION  
MYLES STANDISH INDUSTRIAL PARK  
150 JOHN HANCOCK ROAD, TAUNTON, MA 02780-7319*

## IMPORTANT

### PRODUCT SOFTWARE DISCLAIMER

Product software of all kinds such as brochures, drawings, technical data, operator's and workshop manuals, parts lists and parts price lists, and other information, instructions and specifications provided from sources other than Westerbeke, is not within Westerbeke's control and, accordingly, is provided to Westerbeke customers only as a courtesy and service. **Westerbeke cannot be responsible for the content of such software, makes no warranties or representations with respect thereto, including the accuracy, timeliness or completeness thereof, and will in no event be liable for any type of damages or injury incurred in connection with, or arising out of, the furnishing or use of such software.**

For example, components and subassemblies incorporated in Westerbeke's products and supplied by others (such as engine blocks, fuel systems and components, transmissions, electrical components, pumps and other products) are generally supported by their manufacturers with their own software, and Westerbeke must depend on such software for the design of Westerbeke's own product software. Such software may be outdated and no longer accurate. Routine changes made by Westerbeke's suppliers, of which Westerbeke rarely has notice in advance, are frequently not reflected in the supplier's software until after such changes take place.

Westerbeke customers should also keep in mind the time span between printings of Westerbeke product software, and the unavoidable existence of earlier, non-current Westerbeke software editions in the field. Additionally, most Westerbeke products include customer-requested special features that frequently do not include complete documentation.

In summation, product software provided with Westerbeke products, whether from Westerbeke or other suppliers, must not and cannot be relied upon exclusively as the definitive authority on the respective product. It not only makes good sense but is imperative that appropriate representatives of Westerbeke or the supplier in question be consulted to determine the accuracy and currency of the product software being consulted by the customer.

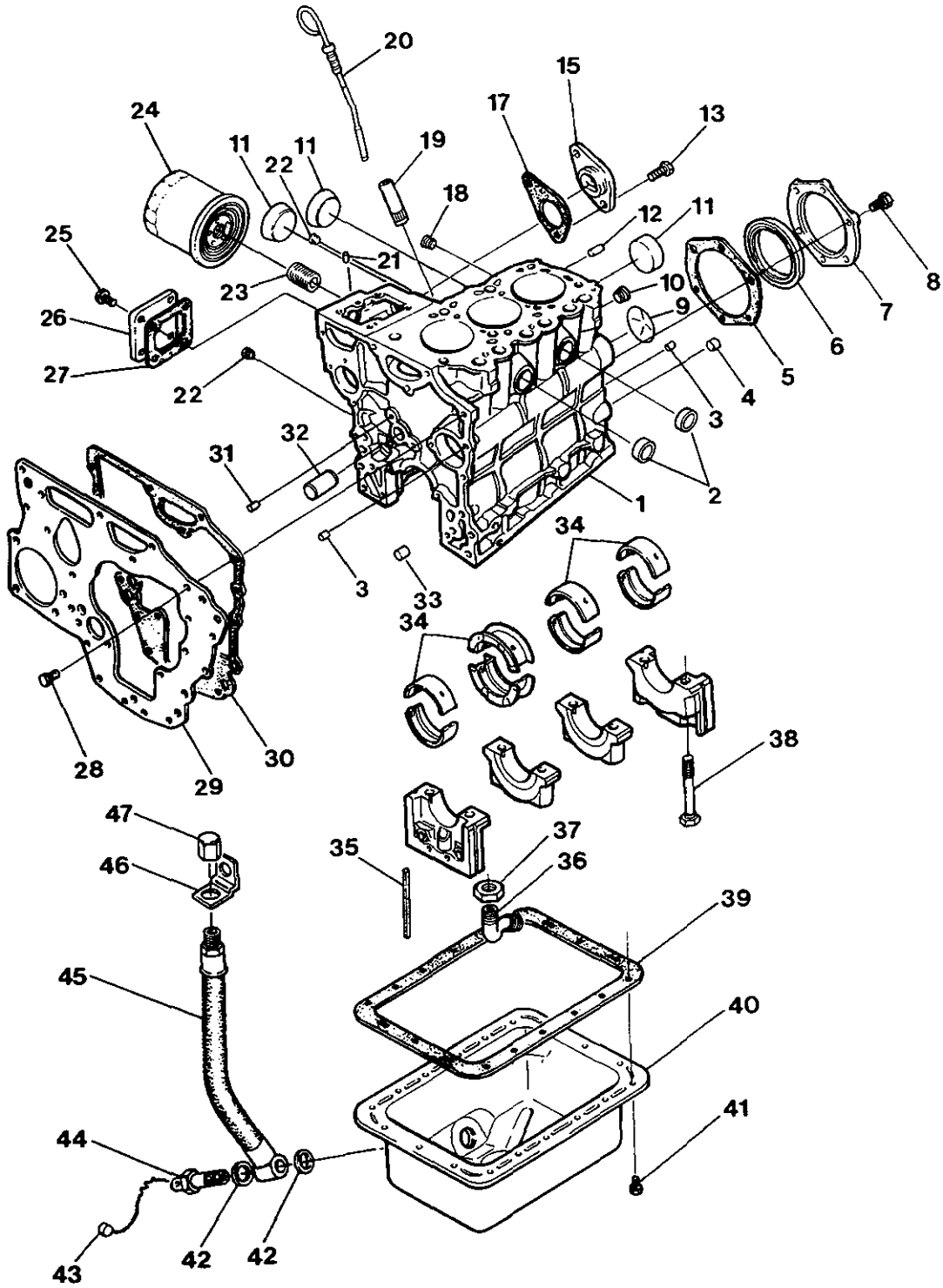
7.6 BTD GENERATOR - 60 HERTZ

5.7 BTD GENERATOR - 50 HERTZ

TABLE OF CONTENTS

PAGE	DESCRIPTION
100	CYLINDER BLOCK
104	CYLINDER HEAD - VALVES - ROCKER SHAFT
106	CRANKSHAFT - PISTONS
108	CAMSHAFT - TIMING SYSTEM
112	COOLING SYSTEM
116	SEA WATER PUMP
118	GOVERNOR SYSTEM
120	FUEL SYSTEM
124	ELECTRICAL SYSTEM
128	GENERATOR - BACK END - MOUNTING SYSTEM
132	AC OUTPUT
134	AC OUTPUT CIRCUIT BREAKER
136	PANEL BOX AND HARNESS
138	CONTROL PANEL
140	BELT - BELT GUARD
142	SOUND GUARD
144	MISCELLANEOUS

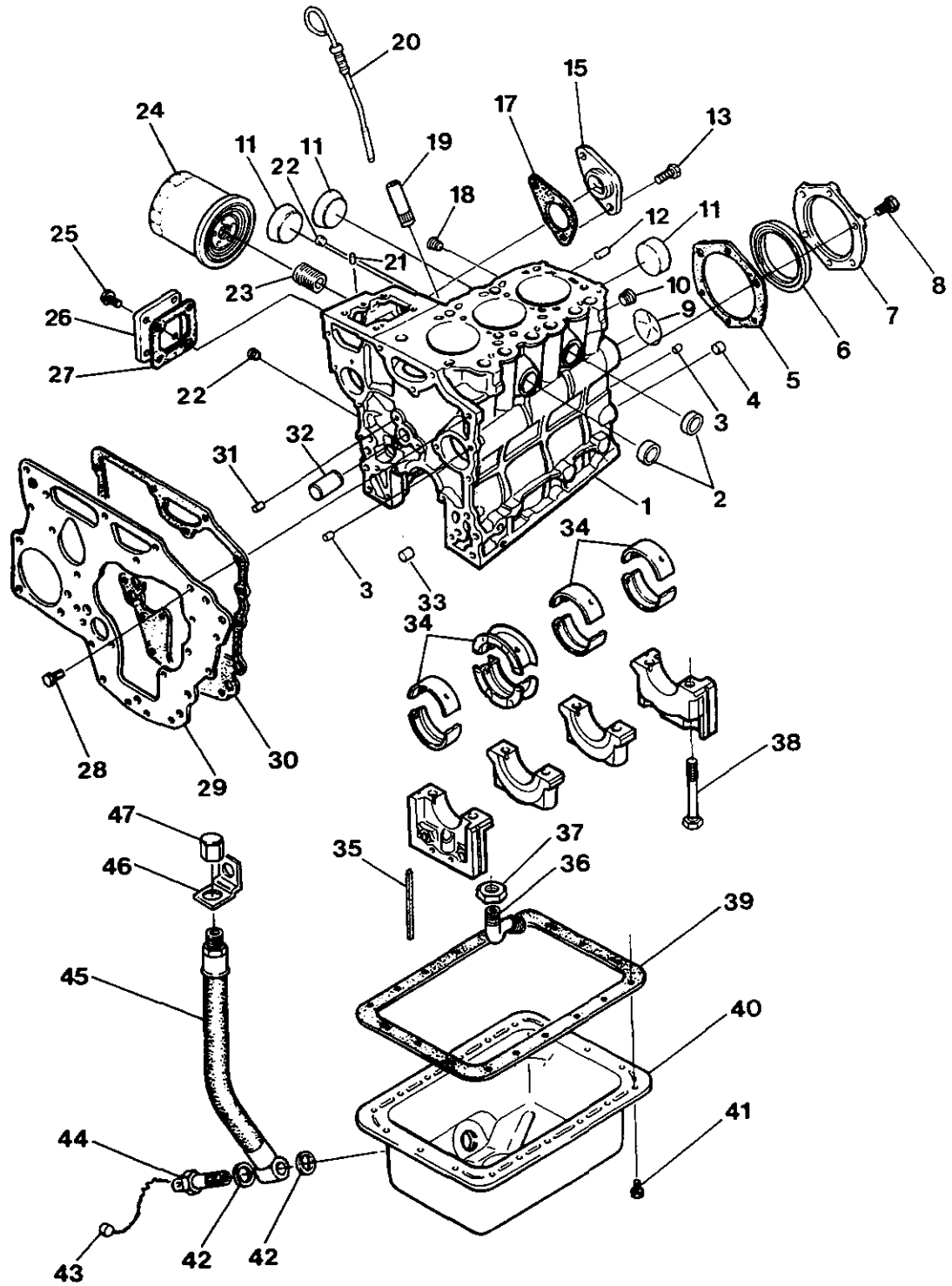
WESTERBEKE 7.6 BTD GENERATOR - CYLINDER BLOCK



WESTERBEKE 7.6 BTD GENERATOR - CYLINDER BLOCK

REF	PN	NAME	REMARKS	QUAN
1	039953	BLOCK	ASSEMBLY INCLUDING HEAD	1
2	024373	PLUG	EXPANSION 25MM DIN 443	2
3	033212	DOWEL	TUBULAR 6X9	2
4	030708	DOWEL	TUBULAR 10 X 9	3
5	036963	GASKET	OIL SEAL FLANGE	1
6	036917	SEAL	OIL	1
7	036945	FLANGE	OIL SEAL	1
8	018804	CAPSCREW	M 6 X 20 DIN 933	6
9	036940	PLUG	EXPANSION 35MM DIN 470	1
10	030712	PLUG	1/4 BSPT DIN 906	1
11	033657	PLUG	EXPANSION 40MM DIN 443	3
12	030272	DOWEL		1
13	017196	CAPSCREW	M 8 X 20 DIN 933	1
14	024948	CAPSCREW	M 8 X 45 DIN 931	1
15	037074	ADAPTER	LIFT PUMP	1
16	018249	STUD	M 6 X 16 DIN 939	2
17	036987	GASKET	LIFT PUMP ADAPTER TO BLOCK	1
18	013341	PLUG	1/4 NPT HEX HEAD BRASS	1
19	037073	TUBE	DIPSTICK	1
20	037072	DIPSTICK		1
21	036943	DOWEL		2
22	030239	PLUG	1/16	3
23	030214	NIPPLE	OIL FILTER	1
24	036918	FILTER	LUBE OIL	1
25-1	031810	CAPSCREW	M 6 X 14 DIN 933	4
25-2	031783	LOCKWASHER	M 6 DIN 127	4
26	037045	COVER	TIE ROD	1
27	036981	GASKET	TIE ROD COVER	1
28-1	031810	CAPSCREW	M 6 X 14 DIN 933	7
28-2	031783	LOCKWASHER	M 6 DIN 127	7
29	036997	PLATE	FRONT	1
30	037004	GASKET	FROONT PLATE	1
31	030707	DOWEL	TUBULAR 8 X 13	2
32	037005	SHAFT	IDLER	1
33	037114	DOWEL	TUBULAR 6 X 13	1
34-1	037018	BEARING	SET-MAIN STD	1
34-2	037062	BEARING	SET-MAIN 0.25 MM	1
34-3	037063	BEARING	SET-MAIN 0.50 MM	1

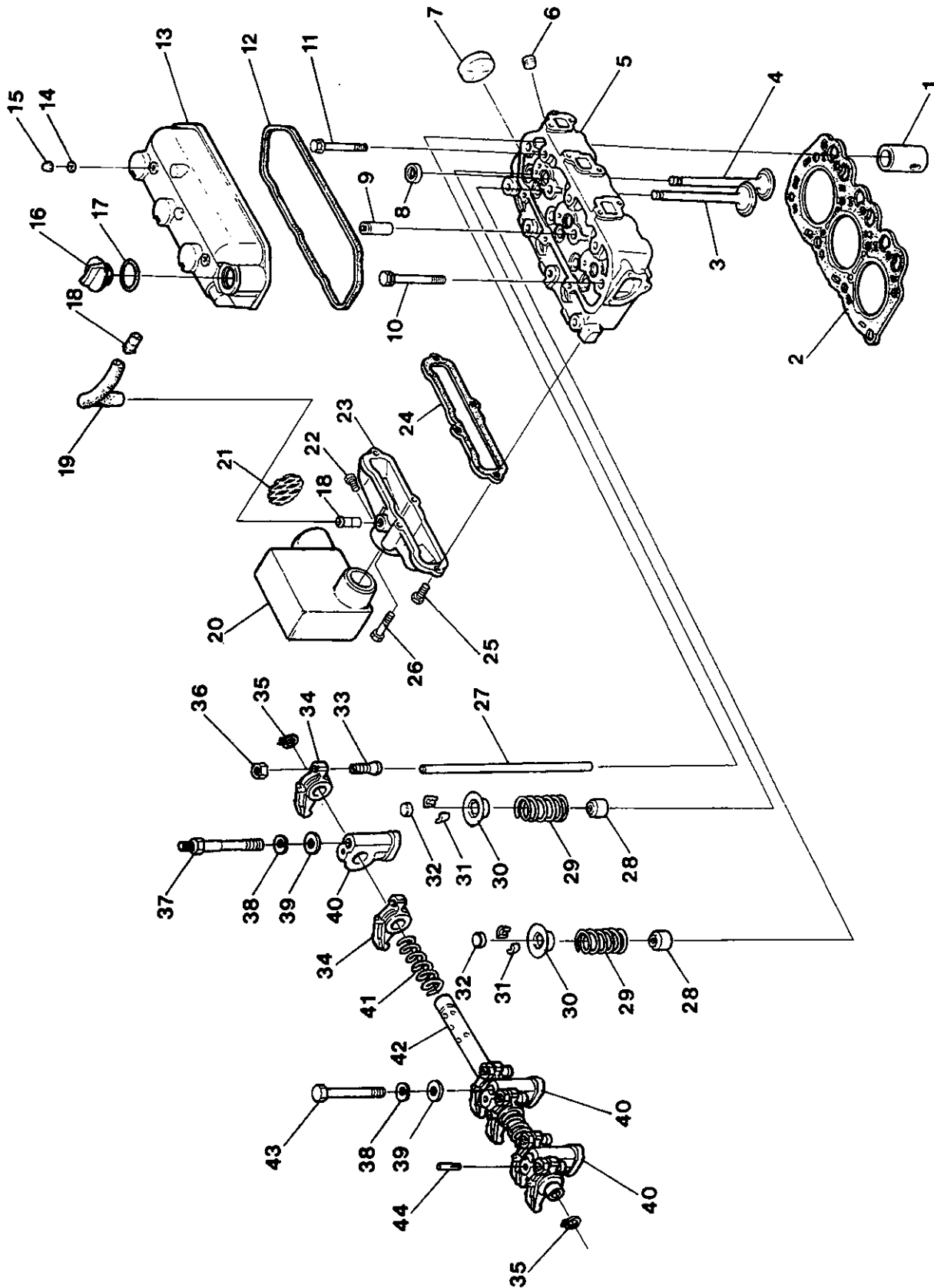
WESTERBEKE 7.6 BTD GENERATOR - CYLINDER BLOCK



WESTERBEKE 7.6 BTD GENERATOR - CYLINDER BLOCK

REF	PN	NAME	REMARKS	QUAN
35	036962	SEAL	SIDE MAIN BEARING CAP	4
36	037068	STRAINER	OIL PICKUP INCLUDING NUT	1
37	031809	NUT	M14 X 1.5 JAM	1
38	036916	BOLT	MAIN BEARING CAP	8
39	036988	GASKET	LUBE OIL SUMP	1
40	037095	SUMP	LUBE OIL	1
41-1	031825	CAPSCREW	M 6 X 12 DIN 933	18
41-2	031783	LOCKWASHER	M 6 DIN 127	18
42	036493	WASHER	SUMP DRAIN BANJO	2
43	037393	SEAL	LEAD WIRE	1
44	036819	BOLT	BANJO-SUMP DRAIN	1
45	030846	HOSE	SUMP DRAIN	1
46	024922	BRACKET	SUMP DRAIN HOSE	1
47	024905	CAP	SUMP DRAIN HOSE	1

WESTERBEKE 7.6 BTD GENERATOR - CYLINDER HEAD - VALVES - ROCKER SHAFT

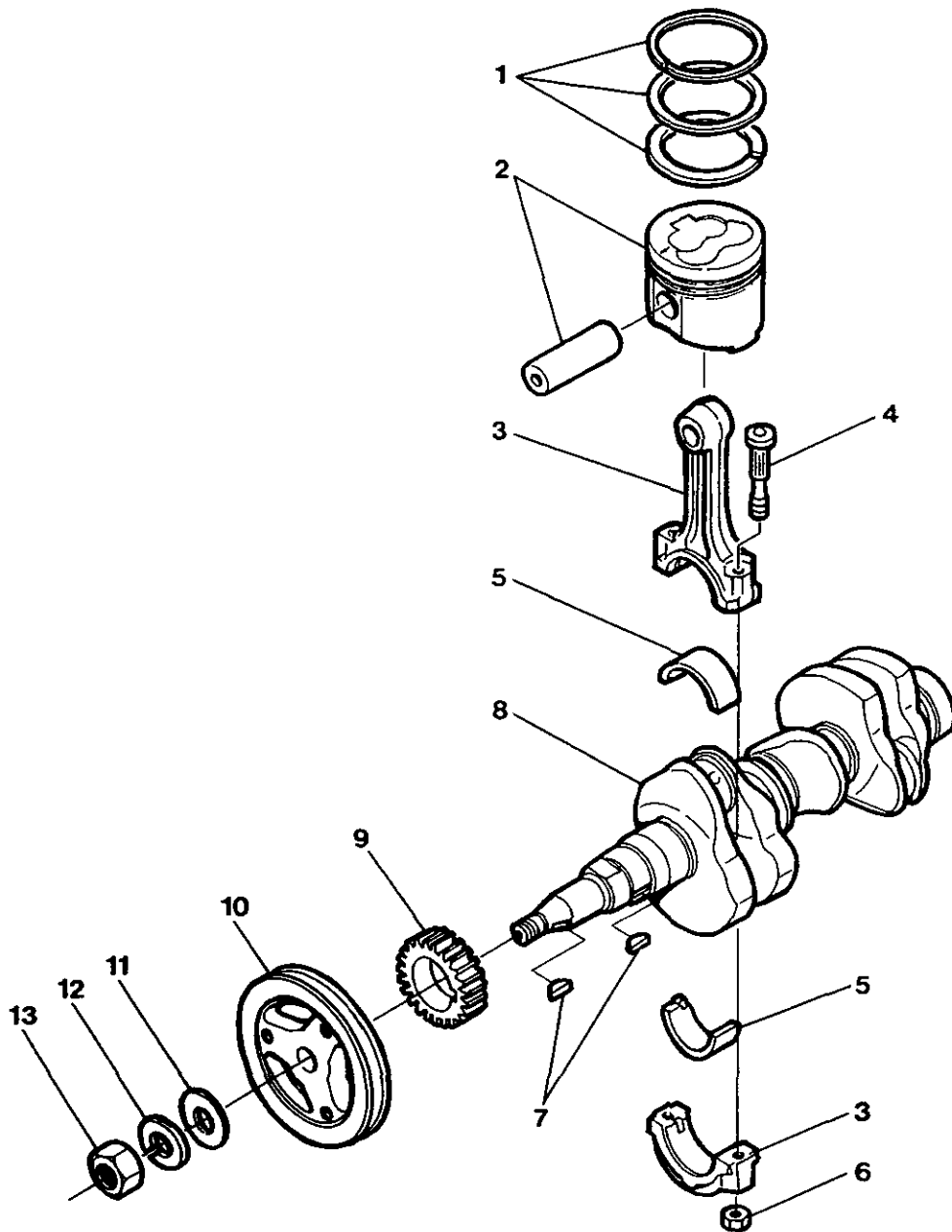




WESTERBEKE 7.6 BTD GENERATOR - CYLINDER HEAD - VALVES - ROCKER SHAFT

REF	PN	NAME	REMARKS	QUAN
1	037056	TAPPET		6
2	036969	GASKET	CYLINDER HEAD	1
3	036958	VALVE	INTAKE	3
4	036959	VALVE	EXHAUST	3
5	037084	HEAD	CYLINDER INCLUDING GUIDES	1
6	030711	PLUG	1/8 BSPT DIN 906	1
7	033657	PLUG	EXPANSION 40MM DIN 443	1
8	024369	PLUG	EXPANSION 20MM DIN 443	3
9	033134	GUIDE	VALVE	6
10	036954	BOLT	CYLINDER HEAD M10 X 83	8
11	036919	BOLT	CYLINDER HEAD M 8 X 70	3
12	037007	GASKET	ROCKER COVER	1
13	037087	COVER	ROCKER	1
14	031784	WASHER	M 6 DIN 125	2
15	036936	NUT	CAP M 6	2
16	033126	CAP	OIL FILLER INCLUDING O-RING	1
17	033123	O-RING	OIL FILLER CAP	1
18	030219	NIPPLE	BREATHER HOSE	2
19	037046	HOSE	BREATHER	1
20	037191	SILENCER	AIR INTAKE	1
21	034620	SCREEN	AIR INTAKE SILENCER	1
22-1	017012	CAPSCREW	M 6 X 16 DIN 933	1
22-2	031783	LOCKWASHER	M 6 DIN 127	1
22-3	031784	WASHER	M 6 DIN 125	1
23	037008	MANIFOLD	INTAKE	1
24	036980	GASKET	INTAKE MANIFOLD TO HEAD	1
25	018804	CAPSCREW	M 6 X 20 DIN 933	2
26	034642	CAPSCREW	M 6 X 45 DIN 931	2
27	037026	PUSHROD		6
28	030242	SEAL	VALVE STEM	6
29	036986	SPRING	VALVE	6
30	033149	SEAT	VALVE SPRING	6
31	030241	COLLET	VALVE SPRING	12
32	036979	CAP	VALVE STEM	6
33	037029	SCREW	ROCKER ADJUSTING	6
34	037027	ROCKER		6
35	033124	RING	RETAINING	2
36	031801	NUT	M 6 JAM	6
37	037053	BOLT	ROCKER BRACKET	2
38	031786	LOCKWASHER	M 8 DIN 127	3
39	031787	WASHER	M 8 DIN 125	3
40	033152	BRACKET	ROCKER	3
41	033151	SPRING	ROCKER SHAFT	2
42	036967	SHAFT	ROCKER	1
43	031225	CAPSCREW	M 8 X 60 DIN 931	1
44	036960	PIN	GROOVED	1
45	041250	EYE	FRONT LIFTING	1

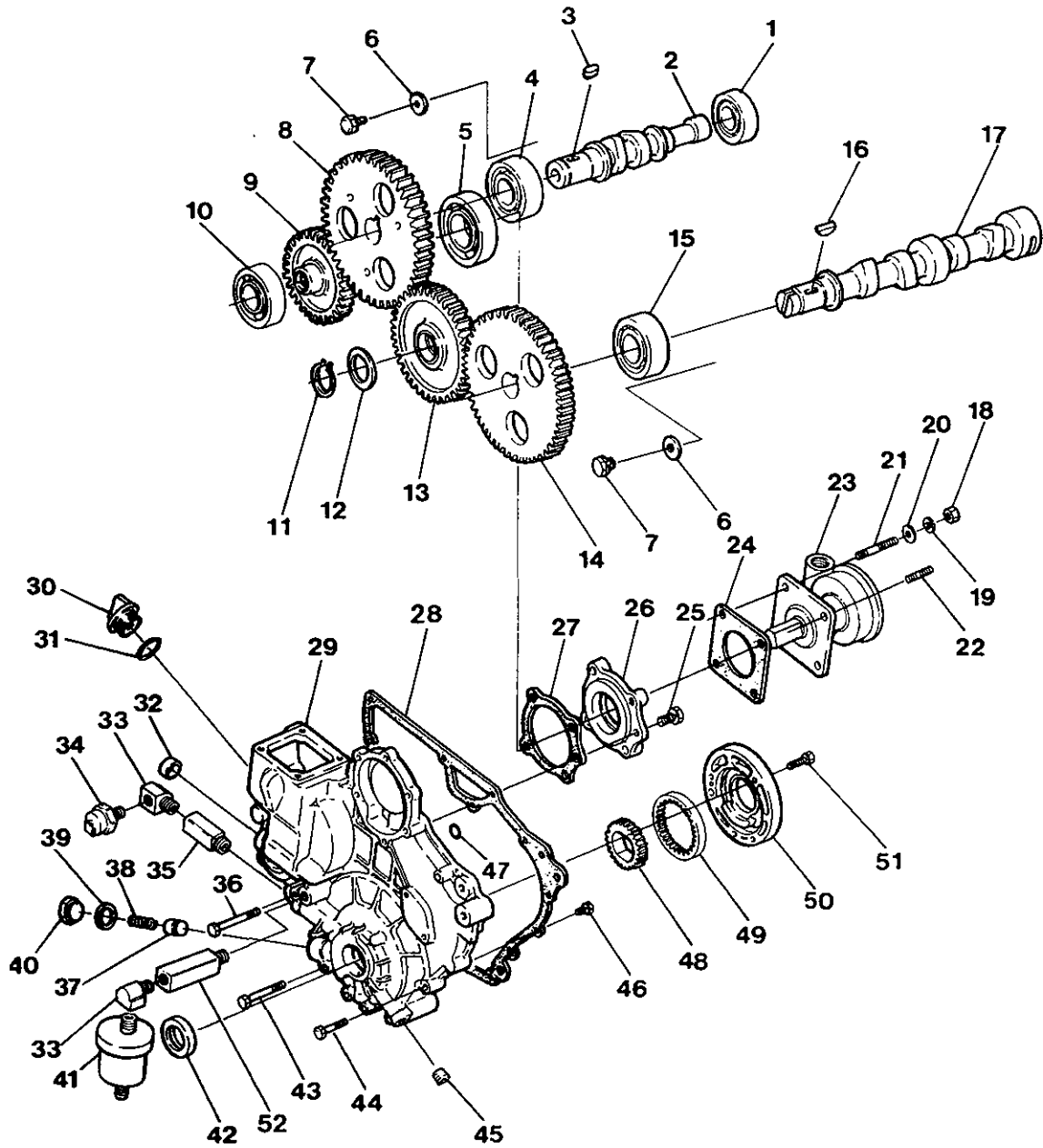
WESTERBEKE 7.6 BTD GENERATOR - CRANKSHAFT - PISTONS



WESTERBEKE 7.6 BTD GENERATOR - CRANKSHAFT - PISTONS

REF	PN	NAME	REMARKS	QUAN
1-1	037047	RING SET	PISTON STD	3
1-2	037060	RING SET	PISTON 0.25 MM	3
1-3	037061	RING SET	PISTON 0.50 MM	3
2-1	037071	PISTON	INCLUDING PIN STD	3
2-2	037058	PISTON	INCLUDING PIN 0.25 MM	3
2-3	037059	PISTON	INCLUDING PIN 0.50 MM	3
3	037077	ROD	CONNECTING INCLUDING BOLT AND NUT	3
4	036914	BOLT	CONNECTING ROD	6
5-1	037069	BEARING	SET-CONNECTING ROD STD	3
5-2	037066	BEARING	SET-CONNECTING ROD 0.25 MM	3
5-3	037067	BEARING	SET-CONNECTING ROD 0.50 MM	3
6	030231	NUT	CONNECTING ROD BOLT	6
7	030274	KEY	WOODRUFF	2
8-1	036991	CRANKSHAFT	TO DECEMBER 1992	1
8-2	040926	CRANKSHAFT	FROM DECEMBER 1992	1
9	036994	GEAR	CRANKSHAFT	1
10-1	036993	PULLEY	CRANKSHAFT 36991	1
10-2	040925	PULLEY	CRANKSHAFT 40926	1
11	037167	WASHER	M16	1
12	037168	LOCKWASHER	M16	1
13	033538	NUT	M16 JAM	1

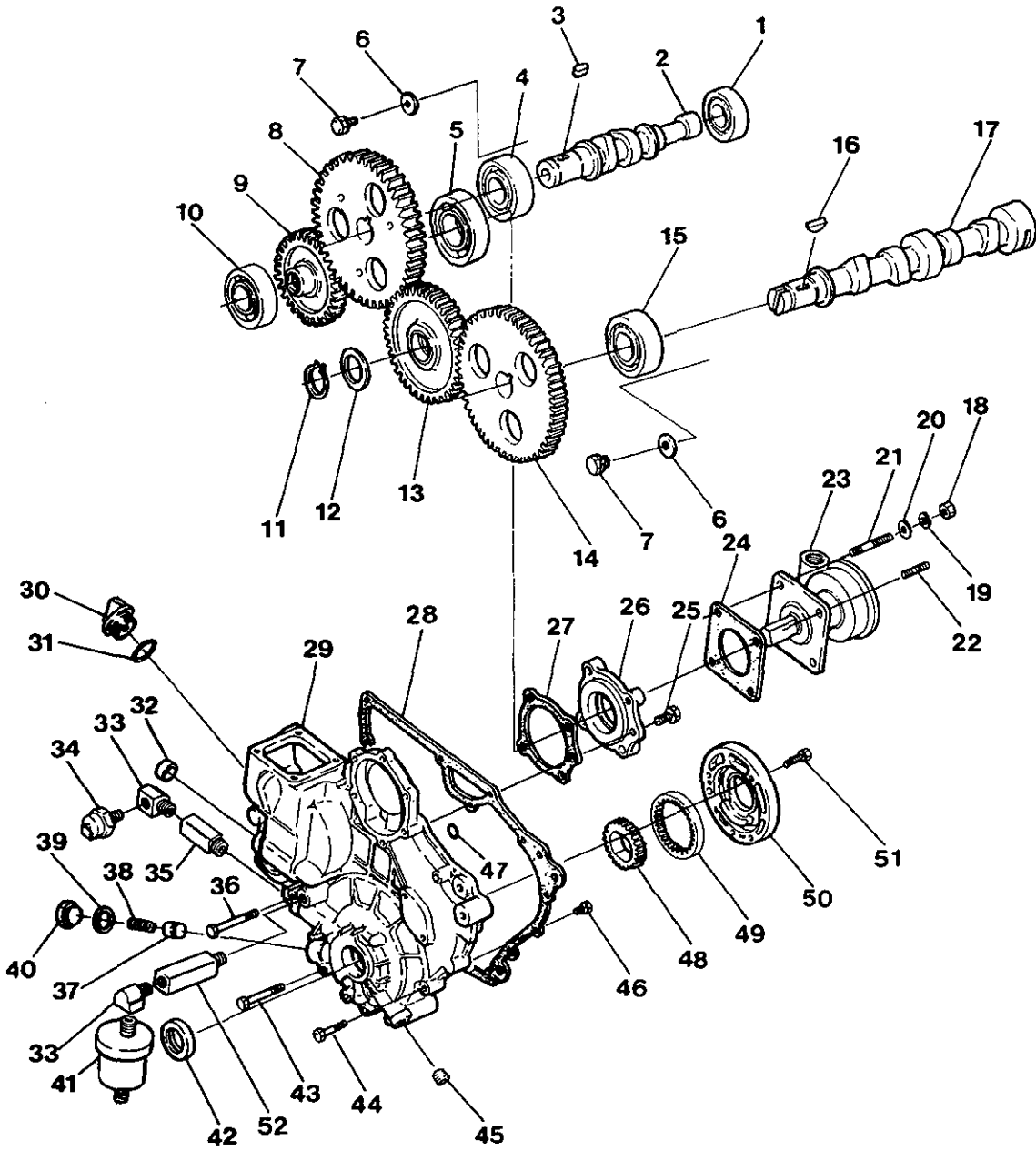
# WESTERBEKE 7.6 BTD GENERATOR - CAMSHAFT - TIMING SYSTEM



WESTERBEKE 7.6 BTD GENERATOR - CAMSHAFT - TIMING SYSTEM

REF	PN	NAME	REMARKS	QUAN
1	036949	BEARING	BALL	1
2	037075	CAMSHAFT	INJECTION PUMP	1
3	030273	KEY		1
4	036948	BEARING	BALL	1
5	036950	BEARING	BALL	1
6	036970	WASHER	CAMSHAFT RETAINING	2
7-1	031825	CAPSCREW	M 6 X 12 DIN 933	2
7-2	031783	LOCKWASHER	M 6 DIN 127	2
8	037006	GEAR	INJECTION PUMP CAMSHAFT	1
9	036996	GEAR	SEA WATER PUMP DRIVE	1
10	036948	BEARING	BALL	1
11	030280	RING	RETAINING 20	1
12	036978	SPACER		1
13	037025	GEAR	IDLER	1
14	036995	GEAR	CAMSHAFT	1
15	036948	BEARING	BALL	1
16	030274	KEY	WOODRUFF	1
17	037017	CAMSHAFT		1
18	018242	NUT	M 8 DIN 934	4
19	031786	LOCKWASHER	M 8 DIN 127	4
20	031787	WASHER	M 8 DIN 125	4
21	031281	STUD	M 8 X 40 DIN 939	3
22	015828	STUD	M 8 X 22 DIN 939	1
23	033636	PUMP	SEA WATER	1
24	030326	GASKET	SEA WATER PUMP MOUNTING	1
25-1	013630	CAPSCREW	M 8 X 25 DIN 933	1
25-2	031786	LOCKWASHER	M 8 DIN 127	1
26	036946	HOUSING	BEARING	1
27	036982	GASKET	HOUSING	1
28	037019	GASKET	GEAR CASE	1
29	037086	CASE	GEAR	1
30	033126	CAP	OIL FILLER INCLUDING O-RING	1
31	033123	O-RING	OIL FILLER CAP	1
32	036968	CAP	SEALING	1
33	013340	ELBOW	1/8 NPT STREET 90	2
34	037323	SWITCH	OIL PRESSURE	1
35	037508	ADAPTER	1/8 BSPT TO 1/8 NPT	1
36	034397	CAPSCREW	M 6 X 65 DIN 931	1

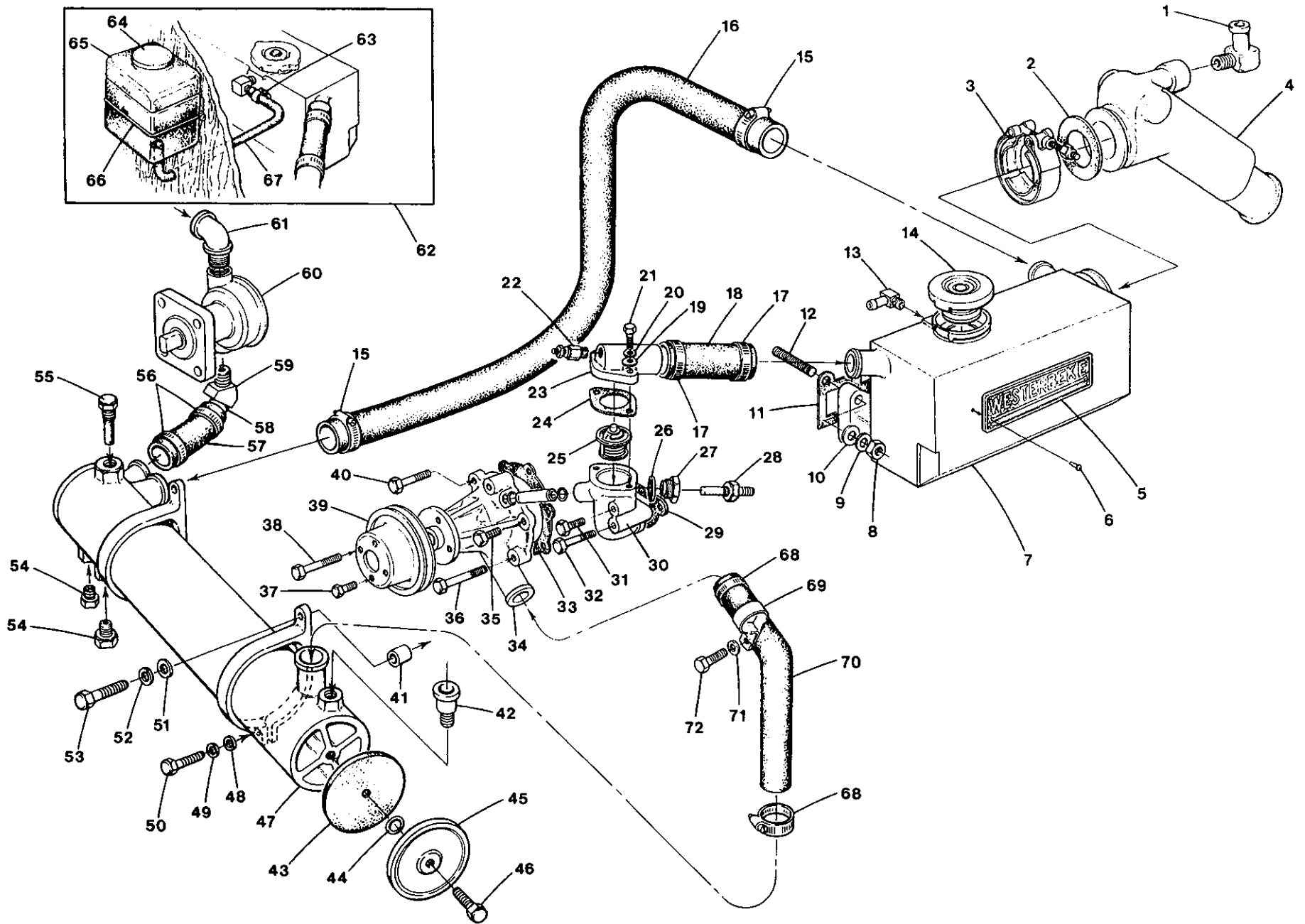
WESTERBEKE 7.6 BTD GENERATOR - CAMSHAFT - TIMING SYSTEM



WESTERBEKE 7.6 BTD GENERATOR - CAMSHAFT - TIMING SYSTEM

REF	PN	NAME	REMARKS	QUAN
37	030244	PLUNGER	OIL RELIEF VALVE	1
38	037030	SPRING	OIL RELIEF VALVE	1
39	030225	GASKET	OIL RELIEF VALVE	1
40	030461	PLUG	OIL RELIEF VALVE	1
41	024132	SENDER	OIL PRESSURE	1
42	036915	SEAL	OIL	1
43	030146	CAPSCREW	M 6 X 55 DIN 931	4
44	031824	CAPSCREW	M 6 X 35 DIN 933	3
45	030712	PLUG	1/4 BSPT DIN 906	1
46-1	031810	CAPSCREW	M 6 X 14 DIN 933	4
46-2	031783	LOCKWASHER	M 6 DIN 127	4
47	036938	O-RING		2
48	037050	GEAR	OIL PUMP INNER	1
49	037051	GEAR	OIL PUMP OUTER	1
50	037070	HOUSING	OIL PUMP	1
51-1	013590	CAPSCREW	M 6 X 30 DIN 933	3
51-2	031783	LOCKWASHER	M 6 DIN 127	3
52	024844	ADAPTER	1/8 BSPT TO 1/8 NPT	1

WESTERBEKE 7.6 BID GENERATOR - COOLING SYSTEM

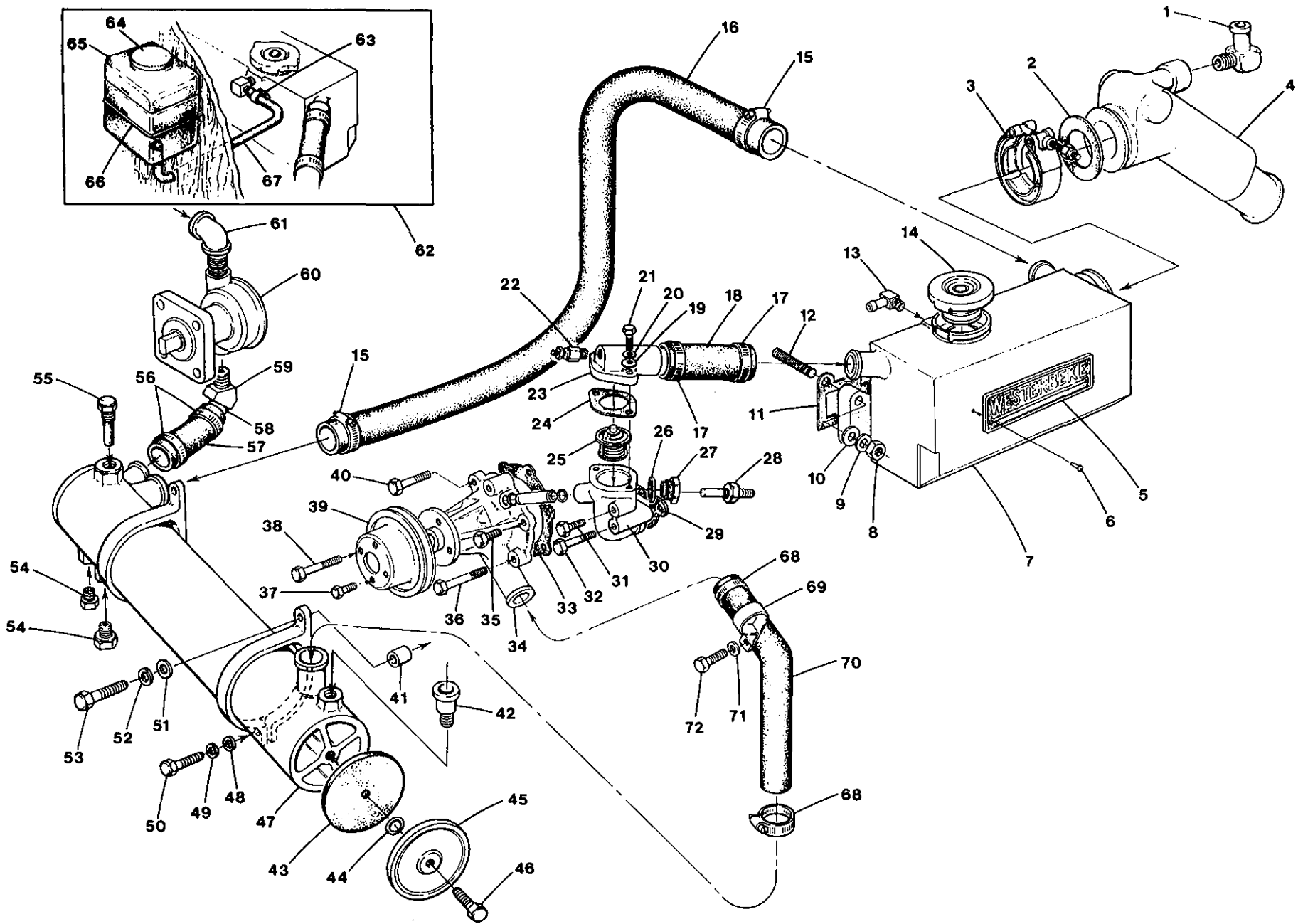




WESTERBEKE 7.6 BTD GENERATOR - COOLING SYSTEM

REF	PN	NAME	REMARKS	QUAN
1	036616	ELBOW	1/2 NPT TO 1 HOSE	1
2	036425	GASKET	EXHAUST ELBOW TO MANIFOLD	1
3	036541	CLAMP	EXHAUST ELBOW TO MANIFOLD	1
4	038114	ELBOW	WATER INJECTED EXHAUST 45 DEGREE	1
5	035411	NAMEPLATE		1
6	031935	SCREW	8-32 X 1/4 SS OVAL HEAD	2
7	037312	MANIFOLD	EXHAUST	1
8	018242	NUT	M 8 DIN 934	6
9	031786	LOCKWASHER	M 8 DIN 127	6
10	031787	WASHER	M 8 DIN 125	6
11	036955	GASKET	MANIFOLD TO HEAD	1
12	015830	STUD	M 8 X 25 DIN 939	6
13	024907	ELBOW	COOLANT RECOVERY TANK CONNECTION	1
14	024306	CAP	PRESSURE	1
15	011405	CLAMP	HOSE 16	2
16	038079	HOSE	MANIFOLD TO EXCHANGER	1
17	011405	CLAMP	HOSE 16	2
18	037383	HOSE	THERMOSTAT TO MANIFOLD	1
19	031784	WASHER	M 6 DIN 125	2
20	031783	LOCKWASHER	M 6 DIN 127	2
21	018804	CAPSCREW	M 6 X 20 DIN 933	2
22	039550	SWITCH	WATER TEMPERATURE	1
23	036228	HOUSING	THERMOSTAT	1
24	036956	GASKET	THERMOSTAT	1
25	037043	THERMOSTAT		1
26	037162	GASKET	ADAPTER TO HOUSING	1
27	024602	ADAPTER	M16 X 1.5 TO 1/8 NPT	1
28	035109	SENDER	WATER TEMPERATURE	1
29	037016	GASKET	LOWER THERMOSTAT HOUSING	1
30	037057	HOUSING	LOWER THERMOSTAT	1
31	018804	CAPSCREW	M 6 X 20 DIN 933	2
32	033351	CAPSCREW	M 6 X 60 DIN 931	1
33	036957	GASKET	FRESH WATER PUMP	1
34	037015	PUMP	FRESH WATER	1
35	018804	CAPSCREW	M 6 X 20 DIN 933	2
36	030146	CAPSCREW	M 6 X 55 DIN 931	2
37-1	031825	CAPSCREW	M 6 X 12 DIN 933	4
37-2	031783	LOCKWASHER	M 6 DIN 127	4
38	034642	CAPSCREW	M 6 X 45 DIN 931	1
39	030386	PULLEY	FRESH WATER PUMP	1
40	031824	CAPSCREW	M 6 X 35 DIN 933	1
41	034497	SPACER	EXCHANGER TO BLOCK	2
42	036622	NIPPLE	3/4 NPT TO 1 HOSE	1
43	022851	GASKET	EXCHANGER END COVER	2
44	019321	O-RING		2
45	022850	COVER	EXCHANGER END	2
46	022852	CAPSCREW	3/8NC X 3/4 BRASS	2
47	038147	EXCHANGER	HEAT	1

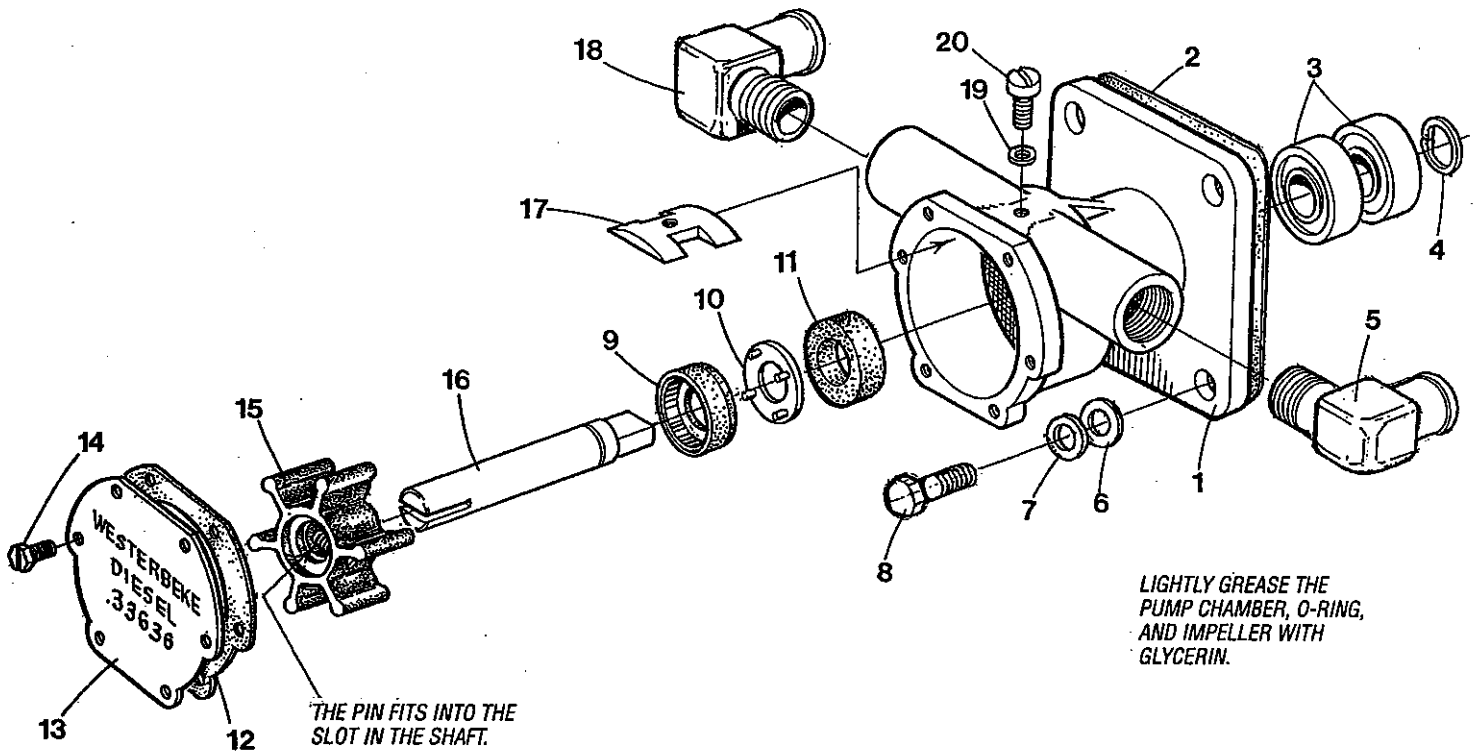
WESTERBEKE 7.6 BID GENERATOR - COOLING SYSTEM



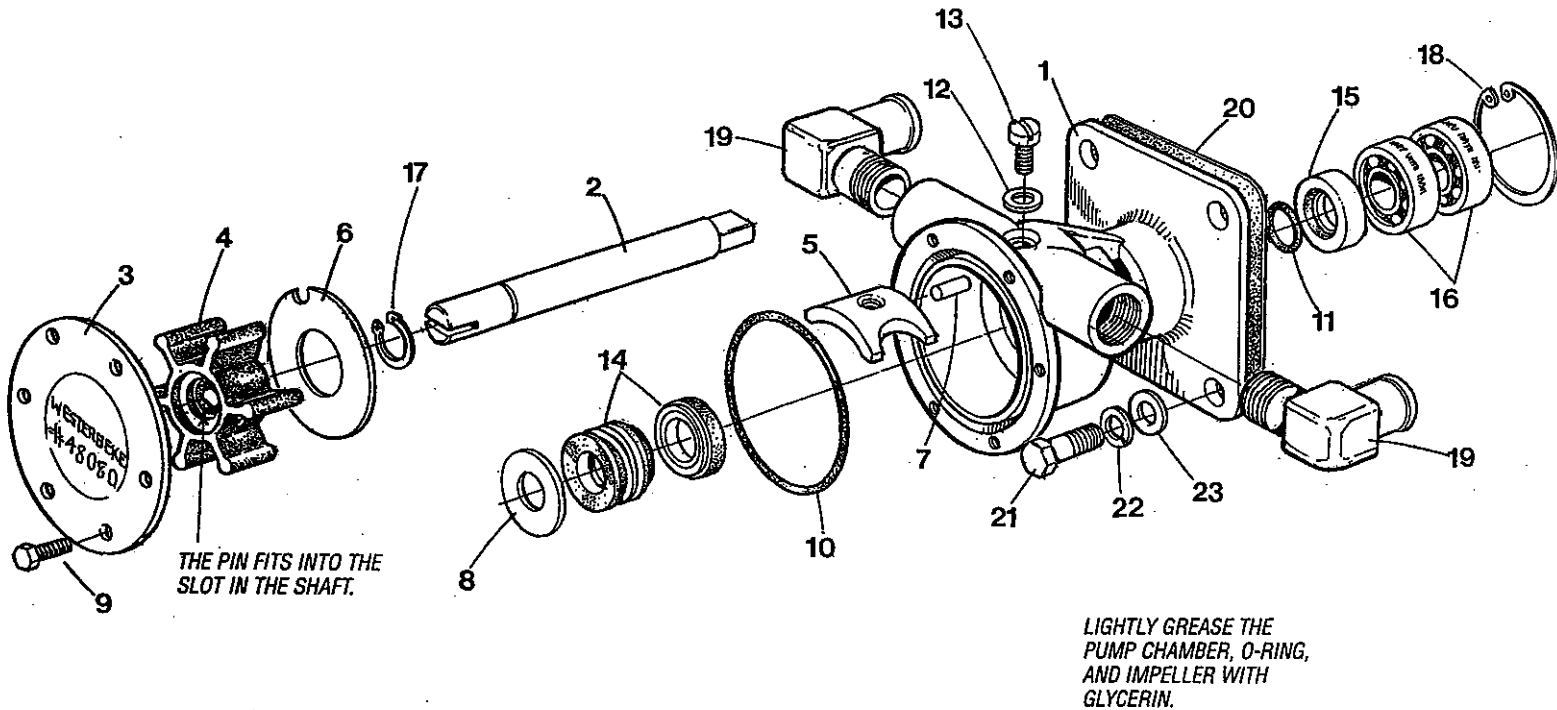
WESTERBEKE 7.6 BTD GENERATOR - COOLING SYSTEM

REF	PN	NAME	REMARKS	QUAN
48	031753	WASHER	FLAT 1/4	2
49	031752	LOCKWASHER	1/4	2
50	031506	CAPSCREW	1/4NC X 1-1/4	2
51	031789	WASHER	M10 DIN 125	2
52	019262	LOCKWASHER	M10 DIN 127	2
53	041130	CAPSCREW	M10 X 1.25 X 45 JIS	2
54	019369	PLUG	1/8 NPT BRASS	2
55	011885	ZINC		1
56	011386	CLAMP	HOSE 12	2
57	038080	HOSE	SEA WATER PUMP TO EXCHANGER	1
58	032947	NIPPLE	3/8 NPT TO 7/8 HOSE	1
59	013337	ELBOW	3/8 NPT STREET 45	1
60	033636	PUMP	SEA WATER	1
61	038076	ELBOW	3/8 NPT TO 1 HOSE	1
62	024977	KIT	COOLANT RECOVERY TANK	1
63	024906	CLAMP	HOSE	2
64	024858	CAP	COOLANT RECOVERY TANK	1
65	024704	TANK	COOLANT RECOVERY	1
66	024786	STRAP	COOLANT RECOVERY TANK MOUNTING	1
67	024637	TUBING	INCHES REQUIRED	60
68	011405	CLAMP	HOSE 16	2
69	012292	CLAMP	SUPPORT HOSE	2
70	038064	HOSE	EXCHANGER TO PUMP	1
71-1	031783	LOCKWASHER	M 6 DIN 127	1
71-2	031784	WASHER	M 6 DIN 125	1
72	031825	CAPSCREW	M 6 X 12 DIN 933	1

# RAW WATER PUMP



# RAW WATER PUMP (from March 2004)



REV 3 05

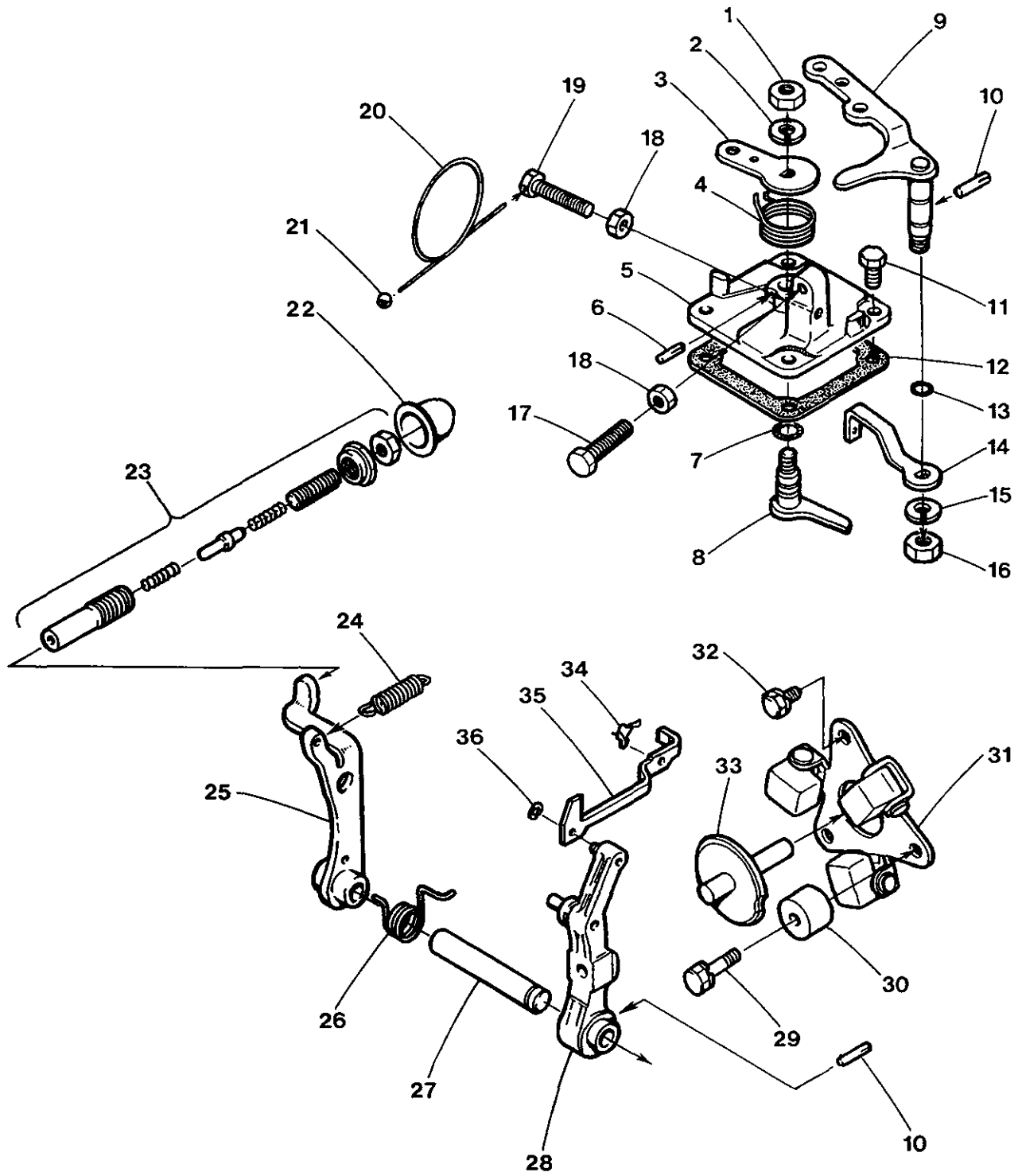
# RAW WATER PUMP

Reference #	Part #	Part Name	Quantity
1-1	033636	RAW WATER PUMP (NLA)	1
1-2	034457	HOUSING	1
1-3	034466	PUMP KIT	1
2	030326	GASKET	1
3	034464	BEARING	2
4	033044	RETAINING RING	1
5	034710	ELBOW 3/8NPT TO 7/8 HOSE (NOT INCL. W/PUMP)	1
6	031787	WASHER M8 DIN 125	4
7	031786	LOCKWASHER M8 DIN 127	4
8	017196	CAPSCREW M8 X 20 DIN 933	4
9	048013	SEAL	1
10	038678	SPACER	1
11	033043	OIL SEAL	1
12	034459	GASKET	1
13	034461	COVER	1
14	034463	SCREW	6
15	034440	IMPELLER - SCREW-GASKET KIT	1
16	034460	SHAFT	1
17	034458	CAM	1
18	036612	ELBOW 3/8NPT TO 1" HOSE (NOT INCL. W/PUMP)	1
19	033037	WASHER	1
20	034462	SCREW	1

## RAW WATER PUMP (from March 2004)

Reference #	Part #	Part Name	Quantity
1	048080	RAW WATER PUMP	1
2	049172	SHAFT	1
3	049170	IMPELLER COVER	1
4	048500	IMPELLER KIT (O-RING & GLYCERIN)	1
5	034458	CAM	1
6	049171	WEAR PLATE	1
7	0302575	DOWEL	1
8	048253	SPRING SEAL WASHER	1
9	034463	IMPELLER COVER SCREW	6
10	048359	IMPELLER COVER O-RING	1
11	033041	O-RING	1
12	033037	CAM WASHER	1
13	046662	CAM SCREW	1
14	048254	SPRING SEAL	1
15	049169	LIP SEAL	1
16	034464	BALL BEARING	2
17	033045	RETAINING INTERNAL RING	1
18	033044	RETAINING EXTERNAL RING	1
19	034710	ELBOW 3/8" NPT TP 7/8" HOSE	1
	036612	ELBOW 3/8" NPT TO 1" HOSE	1
20	030326	MOUNTING GASKET	1
	049000	PUMP REPAIR KIT (INCLUDES ALL COMPONENTS EXCEPT ITEMS 1,7, AND 19)	1
	037431	PUMP KIT (PUMP MOUNTING GASKET AND FITTINGS)	1

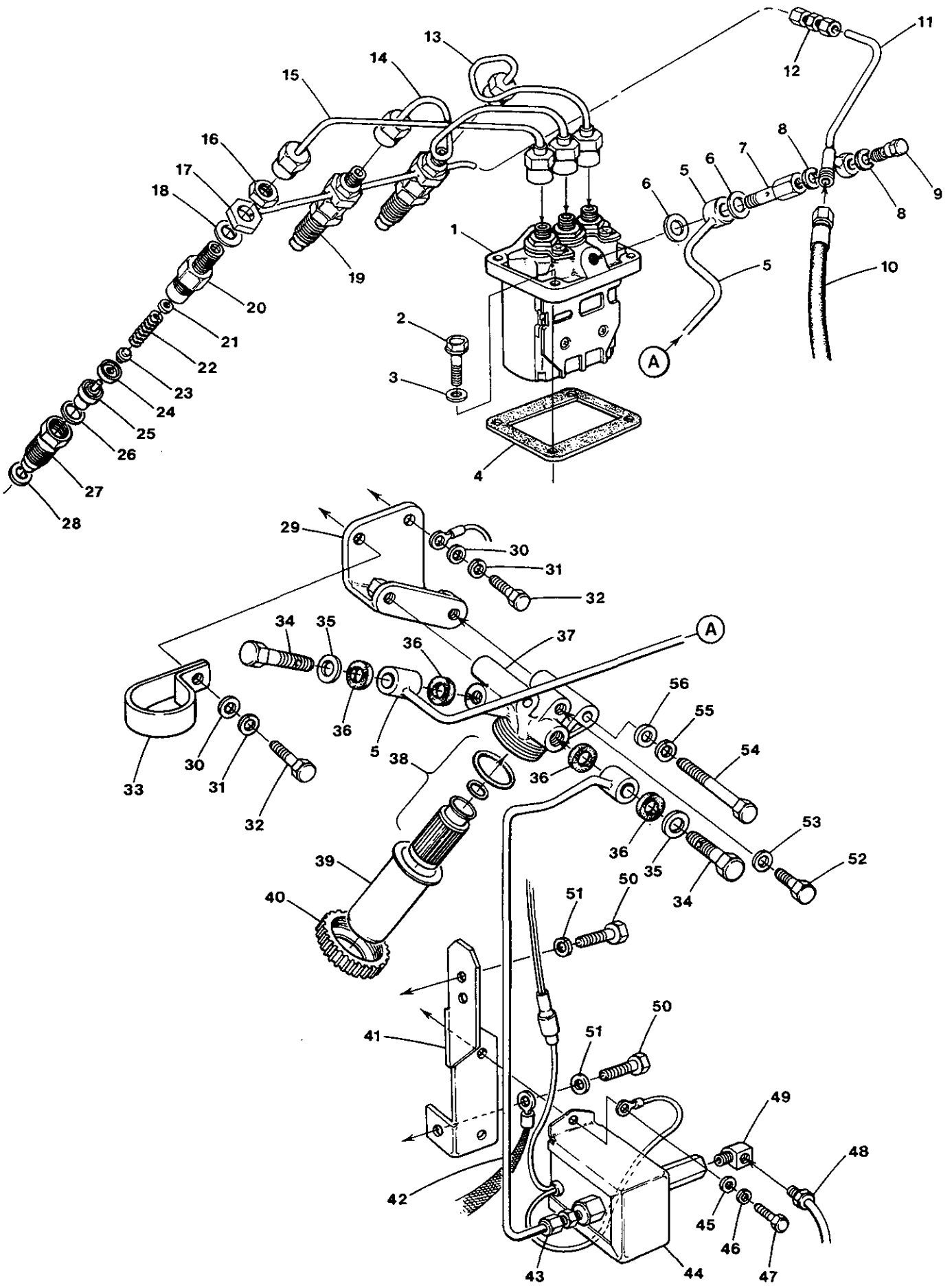
WESTERBEKE 7.6 BTD GENERATOR - GOVERNOR SYSTEM



WESTERBEKE 7.6 BTD GENERATOR - GOVERNOR SYSTEM

REF	PN	NAME	REMARKS	QUAN
1	031802	NUT	M 8 JAM	1
2	031786	LOCKWASHER	M 8 DIN 127	1
3		LEVER	STOP SEE REF 5	1
4		SPRING	RETURN SEE REF 5	1
5	037023	COVER	ASSEMBLY INCLUDES REF 1 THRU 8	1
6		PIN	GROOVED SEE REF 5	1
7	030277	O-RING		1
8		LEVER	STOP SEE REF 5	1
9	037090	LEVER	THROTTLE	1
10	036942	PIN	GROOVED	2
11	031825	CAPSCREW	M 6 X 12 DIN 933	4
12	037024	GASKET	GOVERNOR COVER	1
13	030277	O-RING		1
14	036989	LEVER	GOVERNOR SPRING	1
15	031786	LOCKWASHER	M 8 DIN 127	1
16	031802	NUT	M 8 JAM	1
17	038680	SCREW	LOW SPEED SET	1
18	015812	NUT	M 6 DIN 934	2
19	030323	SCREW	HIGH SPEED SET	1
20	030292	SEAL	LEAD	1
21	030293	WIRE	LOCK ADJUSTING SCREW	1
22	037044	CAP	TORQUE SET SEALING	1
23	037082	SPRING SET	TORQUE	1
24	037101	SPRING	GOVERNOR	1
25	037079	LEVER	TENSION	1
26	037092	SPRING	START	1
27	037080	SHAFT	GOVERNOR	1
28	037078	LEVER	GOVERNOR	1
29-1	020628	CAPSCREW	M 6 X 25 DIN 933	1
29-2	031783	LOCKWASHER	M 6 DIN 127	1
30	033200	STOPPER	GOVERNOR	1
31	030449	WEIGHT	ASSEMBLY-GOVERNOR	1
32-1	015816	CAPSCREW	M 6 X 10 DIN 933	2
32-2	031783	LOCKWASHER	M 6 DIN 127	2
33	036941	SHAFT	GOVERNOR SLIDING	1
34	037022	CLIP	TIE ROD	1
35	037021	ROD	TIE	1
36	036939	RING	RETAINING	1

WESTERBEKE 7.6 BTD GENERATOR - FUEL SYSTEM

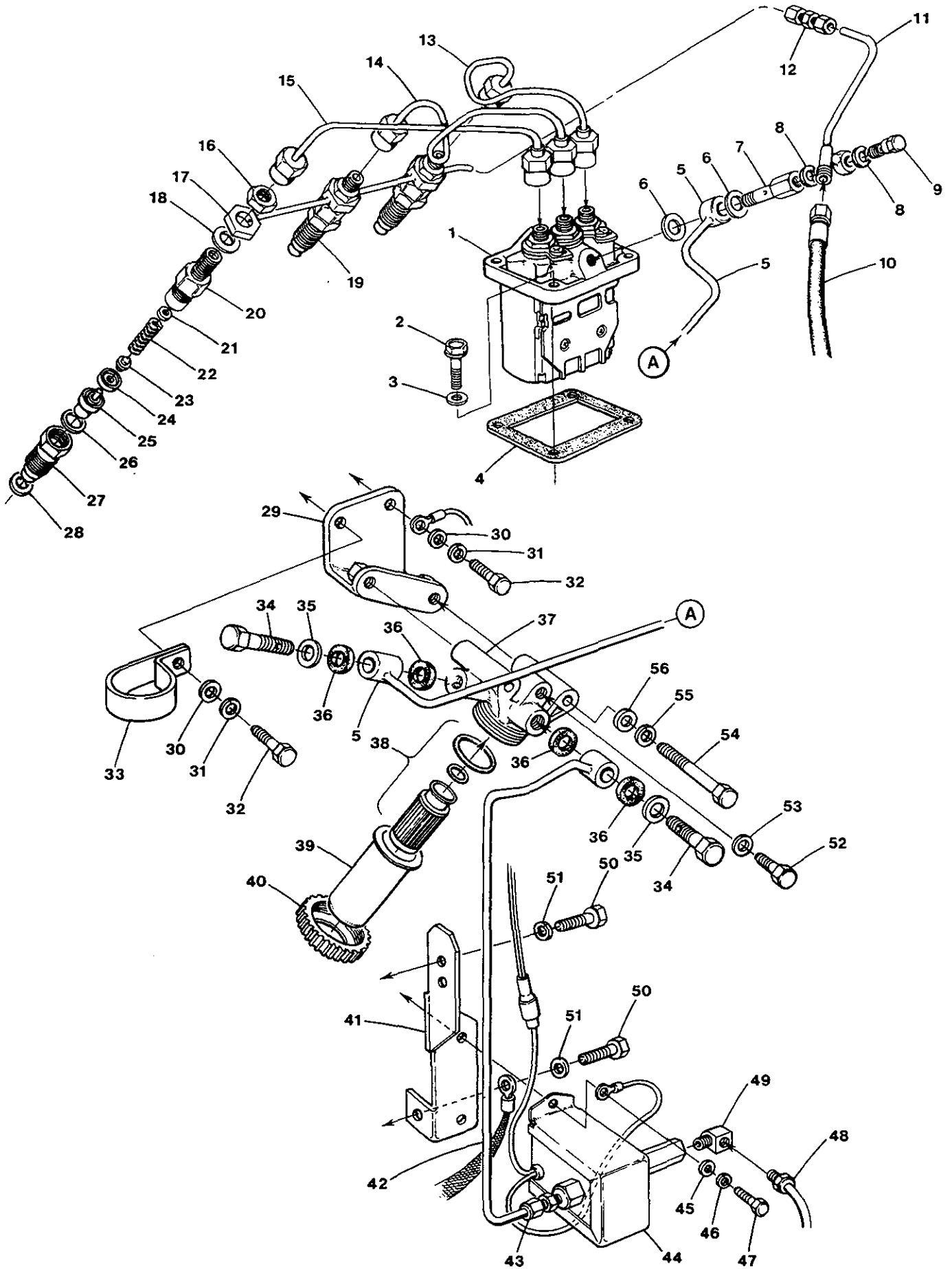




WESTERBEKE 7.6 BTD GENERATOR - FUEL SYSTEM

REF	PN	NAME	REMARKS	QUAN
1	037103	PUMP	FUEL INJECTION	1
2	018804	CAPSCREW	M 6 X 20 DIN 933	4
3	031783	LOCKWASHER	M 6 DIN 127	4
4-1	036964	SHIM	ADJUSTING 0.2 MM	AR
4-2	036965	SHIM	ADJUSTING 0.3 MM	AR
4-3	037009	SHIM	ADJUSTING 0.4 MM	AR
4-4	036966	SHIM	ADJUSTING 0.5 MM	AR
4-5	037010	SHIM	ADJUSTING 0.6 MM	AR
4-6	037011	SHIM	ADJUSTING 0.7 MM	AR
4-7	037012	SHIM	ADJUSTING 0.8 MM	AR
4-8	037013	SHIM	ADJUSTING 0.9 MM	AR
4-9	037014	SHIM	ADJUSTING 1.0 MM	AR
5	038401	LINE	LIFT PUMP TO INJECTION PUMP	1
6	037105	WASHER	BANJO	2
7	038399	BOLT	BANJO	1
8	030289	WASHER	BANJO M 8	2
9	016988	BOLT	BANJO M 8	1
10	034857	HOSE	FUEL RETURN	1
11	038429	LINE	INJECTION RETURN TO PUMP	1
12-1	024600	UNION	COMPRESSION INCLUDING NUTS AND FERRULES	1
12-2	013344	NUT	COMPRESSION	2
12-3	013343	FERRULE	COMPRESSION	2
13	036951	LINE	INJECTOR 1	1
14	036952	LINE	INJECTOR 2	1
15	036953	LINE	INJECTOR 3	1
16	036921	NUT	INJECTOR	3
17	037099	LINE	INJECTOR RETURN	1
18	036922	GASKET	INJECTOR RETURN	3
19	037091	INJECTOR	INCLUDING REF 20 THRU 27	3
20	037112	HOLDER	INJECTOR	1
21- 1	036925	SHIM	INJECTOR 1.25	AR
21- 2	036926	SHIM	INJECTOR 1.30	AR
21- 3	036927	SHIM	INJECTOR 1.35	AR
21- 4	036928	SHIM	INJECTOR 1.40	AR
21- 5	036929	SHIM	INJECTOR 1.45	AR
21- 6	036930	SHIM	INJECTOR 1.50	AR
21- 7	036931	SHIM	INJECTOR 1.55	AR
21- 8	036932	SHIM	INJECTOR 1.55	AR
21- 9	036933	SHIM	INJECTOR 1.65	AR
21-10	036934	SHIM	INJECTOR 1.70	AR
22	037106	SPRING	INJECTOR	1
23	037107	PIN	INJECTOR SPRING	1
24	037108	SPACER	INJECTOR	1
25	036935	NOZZLE	INJECTOR	1
26	037113	GASKET	INJECTOR NOZZLE	1
27	037109	NUT	INJECTOR NOZZLE	1
28	036923	GASKET	INJECTOR	3

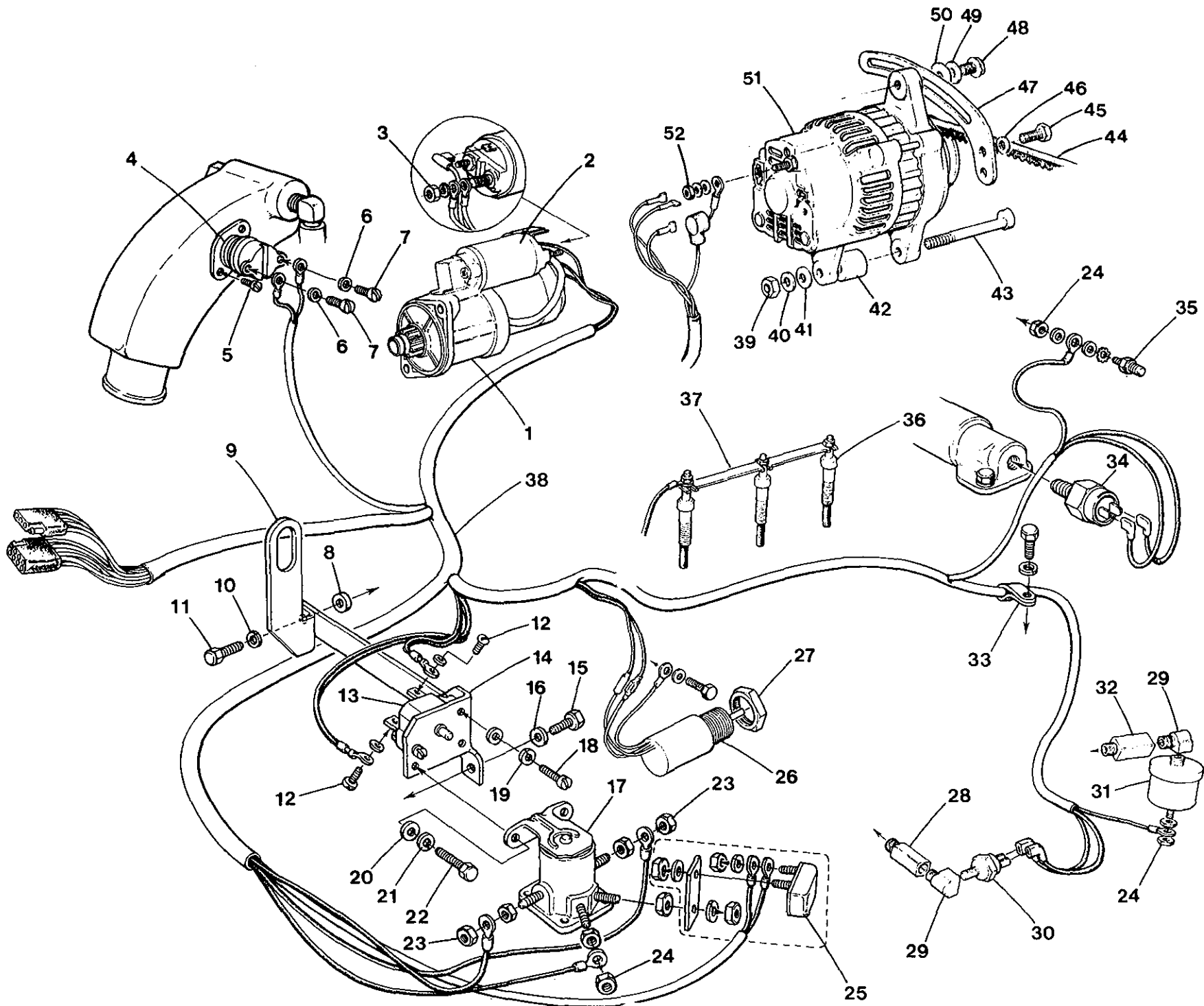
# WESTERBEKE 7.6 BTD GENERATOR - FUEL SYSTEM



WESTERBEKE 7.6 BTD GENERATOR - FUEL SYSTEM

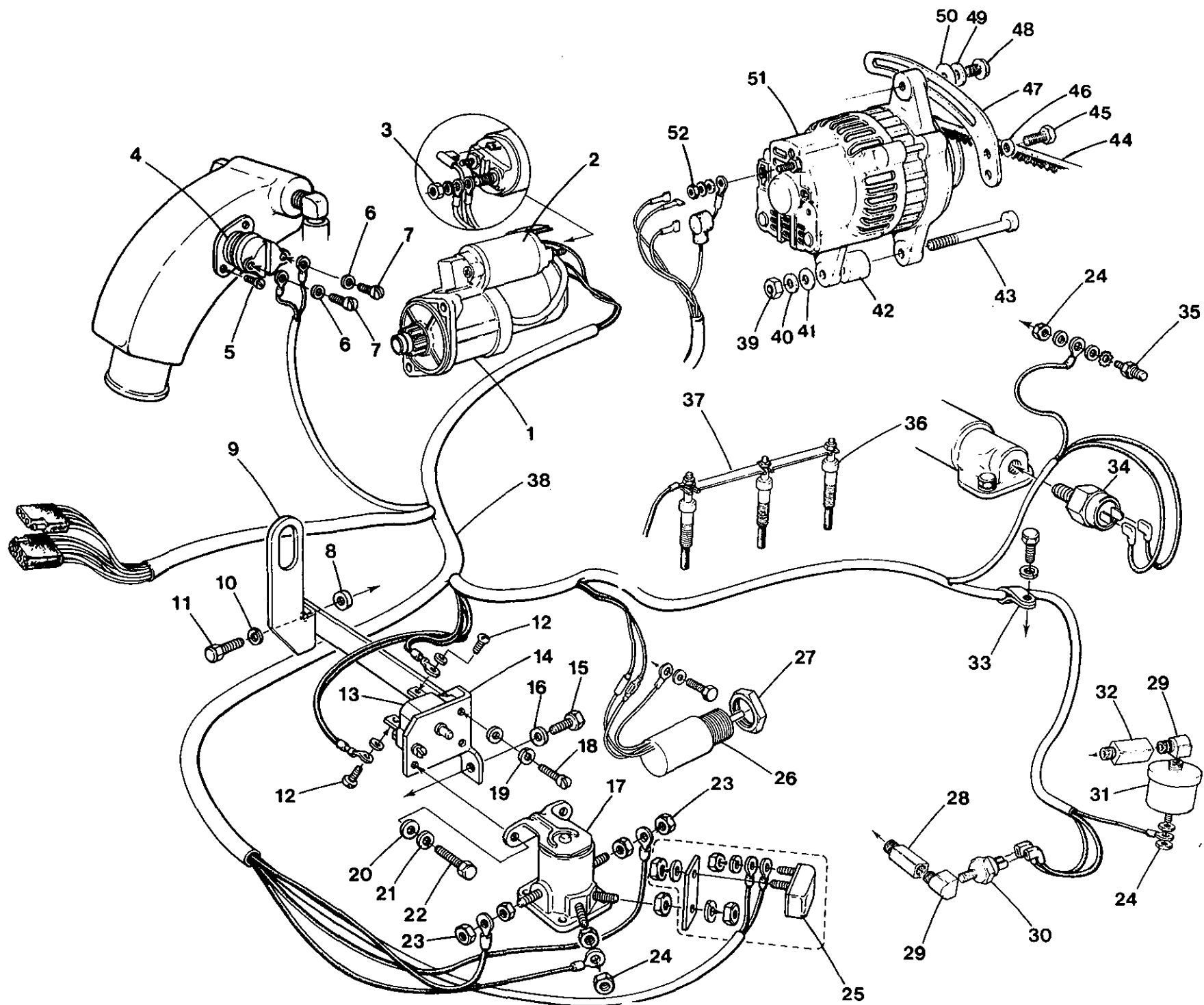
REF	PN	NAME	REMARKS	QUAN
29	038084	BRACKET	FUEL FILTER	1
30	031787	WASHER	M 8 DIN 125	2
31	031786	LOCKWASHER	M 8 DIN 127	2
32	017196	CAPSCREW	M 8 X 20 DIN 933	2
33	013741	CLAMP	SUPPORT HOSE	1
34	024984	BOLT	BANJO	2
35	024972	WASHER	ALUMINUM	2
36	030291	WASHER	BANJO	4
37-1	030210	FILTER	FUEL ASSEMBLY INCL REF 37 THRU 40	1
37-2	030211	BODY	FUEL FILTER	1
38	030200	ELEMENT	FUEL FILTER INCLUDING O-RINGS	1
39	030199	CUP	FUEL FILTER	1
40	030212	RETAINER	FUEL FILTER CUP	1
41	038686	BRACKET	LIFT PUMP	1
42	038896	LINE	LIFT PUMP TO FILTER	1
43-1	013329	ELBOW	1/8 NPT TO 1/4 COMPRESSION	1
43-2	016676	NUT	COMPRESSION	1
43-3	011597	FERRULE	COMPRESSION	1
44	039275	PUMP	FUEL LIFT 12 VDC	1
45	031753	WASHER	FLAT 1/4	2
46	031752	LOCKWASHER	1/4	2
47	031501	CAPSCREW	1/4NC X 1/2	2
48	030025	HOSE	FUEL SUPPLY	1
49	013340	ELBOW	1/8 NPT STREET 90	1
50	034589	CAPSCREW	M10 X 30 DIN 933	2
51	019262	LOCKWASHER	M10 DIN 127	2
52	030213	SCREW	BLEED	1
53	030289	WASHER		1
54	031560	CAPSCREW	5/16NC X 2-1/4	2
55	031758	LOCKWASHER	5/16	2
56	031759	WASHER	FLAT 5/16	2

WESTERBEKE 7.6 BID GENERATOR - ELECTRICAL SYSTEM



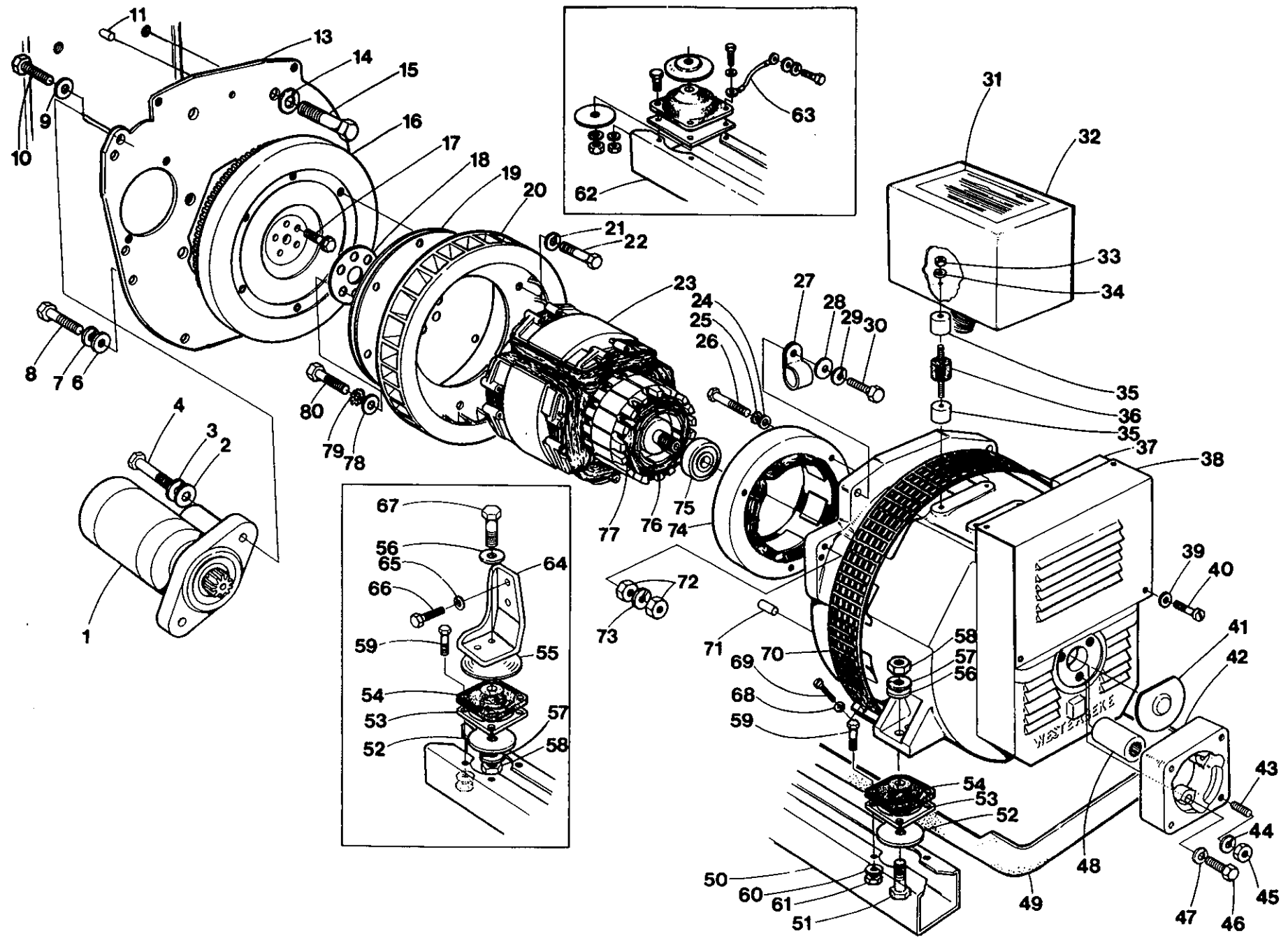
WESTERBEKE 7.6 BTD GENERATOR - ELECTRICAL SYSTEM

REF	PN	NAME	REMARKS	QUAN
1	034552	MOTOR	STARTER 12 VDC	1
2	036218	SOLENOID	STARTER MOTOR	1
3	018242	NUT	M 8 DIN 934	1
4	032923	SWITCH	EXHAUST TEMPERATURE	1
5	035711	SCREW	6-20 X 1/4 TAPPING	2
6	031844	LOCKWASHER	8 SS	2
7	031911	SCREW	8-32 X 1/4 BRASS	2
8	033381	SPACER		1
9	038087	EYE	REAR LIFTING	1
10	031786	LOCKWASHER	M 8 DIN 127	1
11	013630	CAPSCREW	M 8 X 25 DIN 933	1
12	031861	SCREW	8-32 X 1/4 BINDING HEAD SS	2
13	024683	BREAKER	CIRCUIT 20 AMP	1
14	039072	BRACKET	CIRCUIT BREAKER, SOLENOID	1
15	034589	CAPSCREW	M10 X 30 DIN 933	1
16	019262	LOCKWASHER	M10 DIN 127	1
17	024639	SOLENOID	PRE-HEAT	1
18	031866	SCREW	8-32 X 7/8 BINDING HEAD SS	2
19	031844	LOCKWASHER	8 SS	2
20	031753	WASHER	FLAT 1/4	2
21	031752	LOCKWASHER	1/4	2
22	031501	CAPSCREW	1/4NC X 1/2	2
23	031760	NUT	5/16NF	2
24	031847	NUT	10-32 HEX SS	AR
25	036563	BREAKER	CIRCUIT ASSEMBLY 10 AMP	1
26	037100	SOLENOID	FUEL SHUT-OFF	1
27	034669	NUT	SOLENOID ADJUSTING/LOCKING	1
28	037508	ADAPTER	1/8 BSPT TO 1/8 NPT	1
29	013340	ELBOW	1/8 NPT STREET 90	2
30	037323	SWITCH	OIL PRESSURE	1
31	024132	SENDER	OIL PRESSURE	1
32	024844	ADAPTER	1/8 BSPT TO 1/8 NPT	1
33	038074	CLAMP	HARNESS	2
34	039550	SWITCH	WATER TEMPERATURE	1
35	035109	SENDER	WATER TEMPERATURE	1
36	036961	GLOWPLUG		3
37	037028	STRAP	GLOWPLUG CONNECTING	1
38	039081	HARNESS	GENSET WIRING	1



WESTERBEKE 7.6 BTD GENERATOR - ELECTRICAL SYSTEM

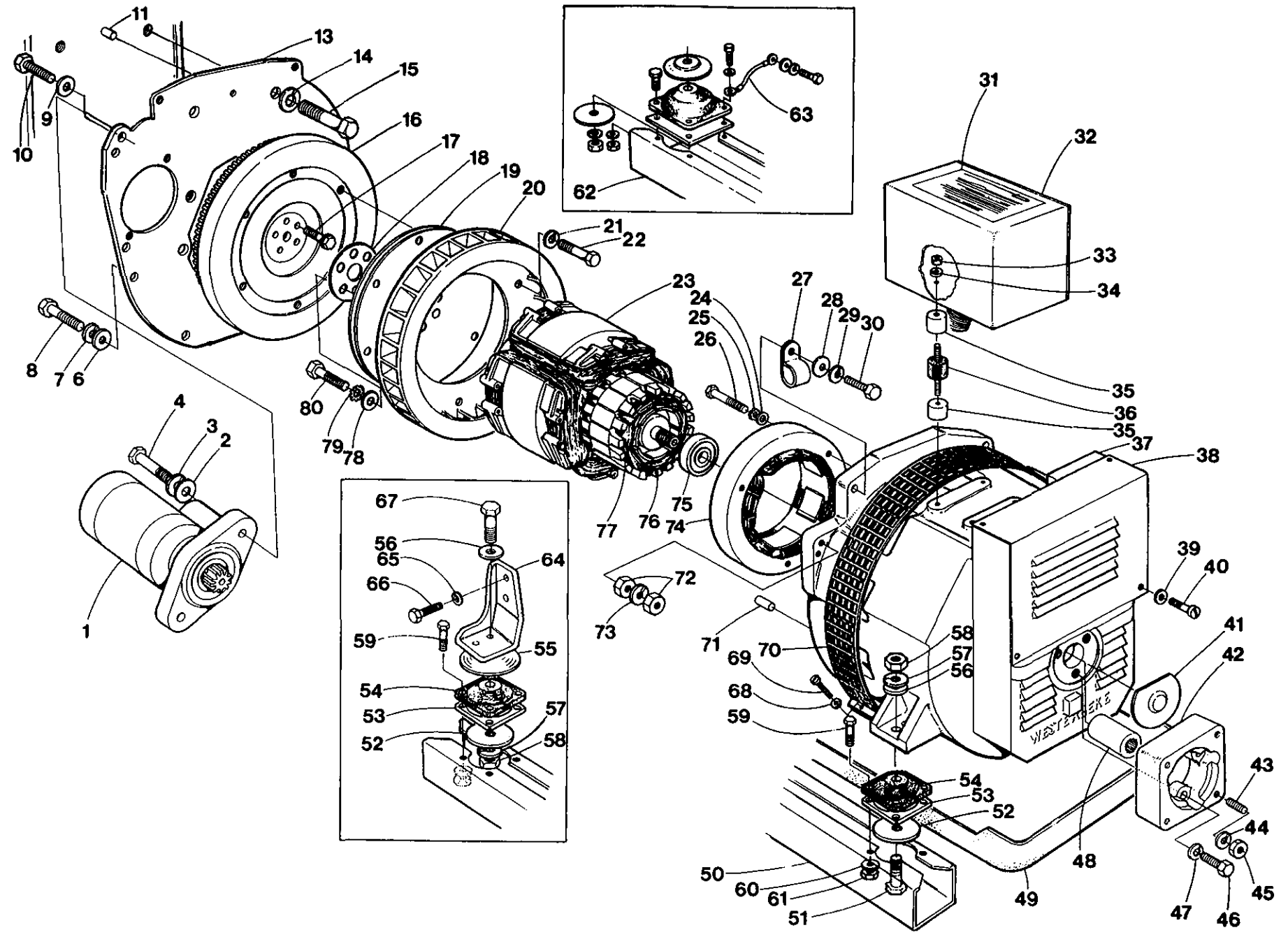
REF	PN	NAME	REMARKS	QUAN
39	018242	NUT	M 8 DIN 934	1
40	031786	LOCKWASHER	M 8 DIN 127	1
41	031787	WASHER	M 8 DIN 127	1
42	040964	BUSHING		1
43	031225	CAPSCREW	M 8 X 60 DIN 931	1
44	301073	BELT		1
45	017012	CAPSCREW	M 6 X 16 DIN 933	1
46	031783	LOCKWASHER	M 6 DIN 127	1
47	040540	STRAP	ADJUSTING	1
48	031555	CAPSCREW	5/16 NC X 1	1
49	031758	LOCKWASHER	5/16	1
50	033381	SPACER		2
52-1	041117	TAB	TERMINAL	1
52-2	031904	NUT	10-24 KEPS	1
53	039284	DIAGRAM	GENSET WIRING	1
53-3	031750	NUT	1/4NC HEX	1





WESTERBEKE 7.6 BTD GENERATOR - GENERATOR - BACK END - MOUNTING SYSTEM

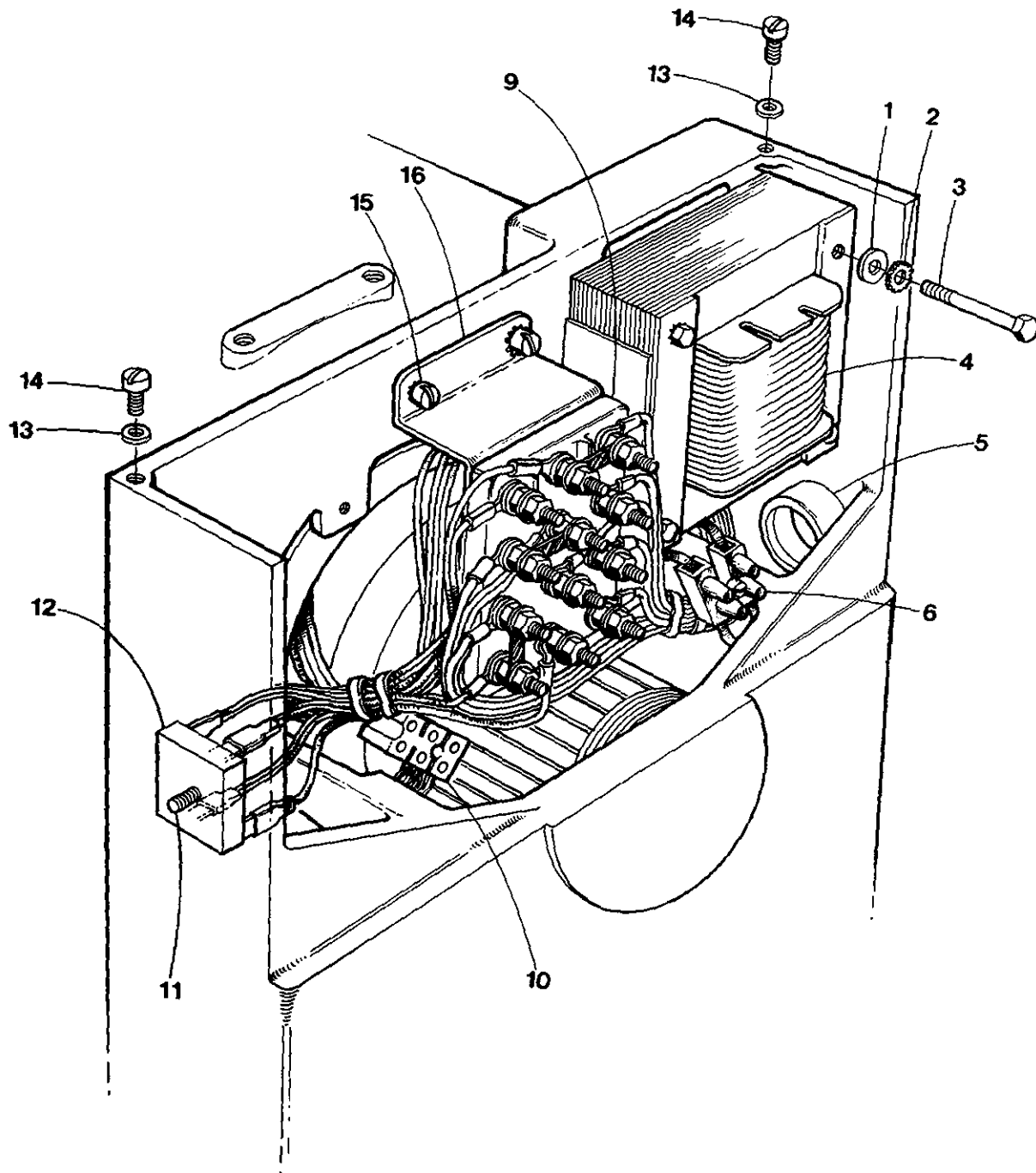
REF	PN	NAME	REMARKS	QUAN
1	034552	MOTOR	STARTER 12 VDC	1
2	031789	WASHER	M10 DIN 125	2
3	019262	LOCKWASHER	M10 DIN 127	2
4	034589	CAPSCREW	M10 X 30 DIN 933	2
6	031789	WASHER	M10 DIN 125	5
7	019262	LOCKWASHER	M10 DIN 127	5
8	013629	CAPSCREW	M10 X 25 DIN 933	5
9	019262	LOCKWASHER	M10 DIN 127	1
10	013631	CAPSCREW	M10 X 55 DIN 933	1
11		DOWEL	SEE BLOCK PAGE	
13	036048	PLATE	BACK	1
14	019262	LOCKWASHER	M10 DIN 127	6
15	024952	CAPSCREW	M10 X 1.25 X 25 DIN 961	6
16-1	038202	FLYWHEEL	WITH RING GEAR	1
16-2	032996	GEAR	RING	1
17	036924	BOLT	FLYWHEEL	4
18	035928	PLATE	THRUST-DRIVE DISC ARMATURE	1
19	035927	PLATE	DRIVE DISC	2
20	035929	FAN		1
21	031835	LOCKWASHER	M 8 DIN 6797J	8
22	037338	CAPSCREW	ARMATURE	8
23	035930	ARMATURE		1
24	031781	WASHER	M 5 DIN 125	3
25	031914	LOCKWASHER	M 5 DIN 6797A	3
26	031919	CAPSCREW	M 5 X 35 DIN 912	3
27	013760	CLAMP	HARNESS SUPPORT	1
28	031789	WASHER	M10 DIN 125	2
29	019262	LOCKWASHER	M10 DIN 127	2
30	034470	CAPSCREW	M10 X 45 DIN 931	2
31	024968	LABEL	GENSET OPERATING INSTRUCTIONS	1
32-1	039111	PANEL	BOX AND HARNESS	1
32-2	041057	PANEL	BOX AND HARNESS WITH HOURMETER	1
33	015812	NUT	M 6 DIN 934	4
34	031783	LOCKWASHER	M 6 DIN 127	4
35	024836	SPACER		8
36	034731	ISOLATOR	PANEL MOUNT	4
37-1	037428	GENERATOR		1
37-2	035934	STATOR	ASSEMBLY INCLUDING HOUSING	1
37-3	037723	STATOR		1
38	035936	COVER		1
39	031914	LOCKWASHER	M 5 DIN 6797A	4
40	031918	SCREW	M 5 X 10 DIN 84A	4



WESTERBEKE 7.6 BTD GENERATOR - GENERATOR - BACK END - MOUNTING SYSTEM

REF	PN	NAME	REMARKS	QUAN
41	034182	COVER	PTO INTERFACE	1
42-1	034786	KIT	PTO INCL REF 42 THRU 48	1
42-2	034742	DRAWING	PTO INSTALLATION	1
42-3	034738	ADAPTER		1
43	034867	STUD	1/2NC	4
44	031776	LOCKWASHER	1/2	4
45	031774	NUT	1/2NC	4
46	013589	CAPSCREW	M12 X 40 DIN 933	3
47	031792	LOCKWASHER	M12 DIN 127	3
48	034737	DRIVE	PTO SAE-B SPLINE	1
49	038088	DRIPTRAY		1
50	038148	RAIL	ASSEMBLY LEFT	1
51	031712	CAPSCREW	1/2NC X 2-3/4	2
52	024674	WASHER	SNUBBING	8
53	035273	SPACER	ISOLATOR TO RAIL	4
54	024776	ISOLATOR		4
55	033530	SHIELD	FRONT ISOLATOR	2
56	031777	WASHER	FLAT 1/2	2
57	031776	LOCKWASHER	1/2	4
58	031774	NUT	1/2NC	4
59	031556	CAPSCREW	5/16NC X 1-1/4	16
60	031758	LOCKWASHER	5/16	16
61	031756	NUT	5/16NC	16
62	038149	RAIL	ASSEMBLY RIGHT	1
63	034593	STRAP	GROUND	1
64-1	038112	MOUNT	FRONT RIGHT	1
64-2	038113	MOUNT	FRONT LEFT	1
65	019262	LOCKWASHER	M10 DIN 127	4
66	031228	CAPSCREW	M10 X 1.25 X 30 DIN 961	4
67	031712	CAPSCREW	1/2NC X 2-3/4	2
68	031914	LOCKWASHER	M 5 DIN 6797A	1
69	031920	SCREW	M 5 X 20 DIN 84A	1
70	035935	GUARD	AIR	1
71	019039	DOWEL		2
72	015887	NUT	M10 DIN 934	2
73	019262	LOCKWASHER	M10 DIN 127	1
74-1	038354	STATOR	EXCITER	1
74-2	035933	STATOR	EXCITER-UNITS WITH ELECTRONIC REGULATOR	1
75	035932	BEARING	BALL	1
76	035943	VARISITOR	POSI-RESISTOR	1
77	035931	DIODE		6
78	031789	WASHER	M10 DIN 125	6
79	031915	LOCKWASHER	M10 DIN 6797A	6
80	013629	CAPSCREW	M10 X 25 DIN 933	6
81	035144	LABEL	AC OUTPUT CONNECTIONS	1

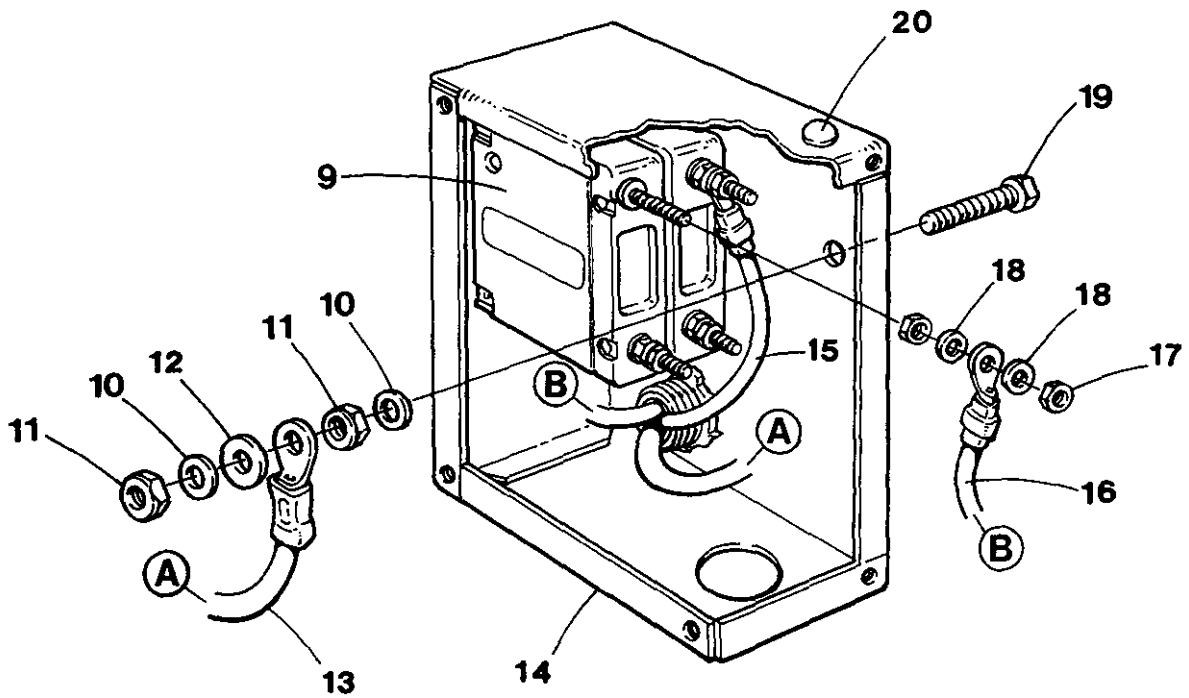
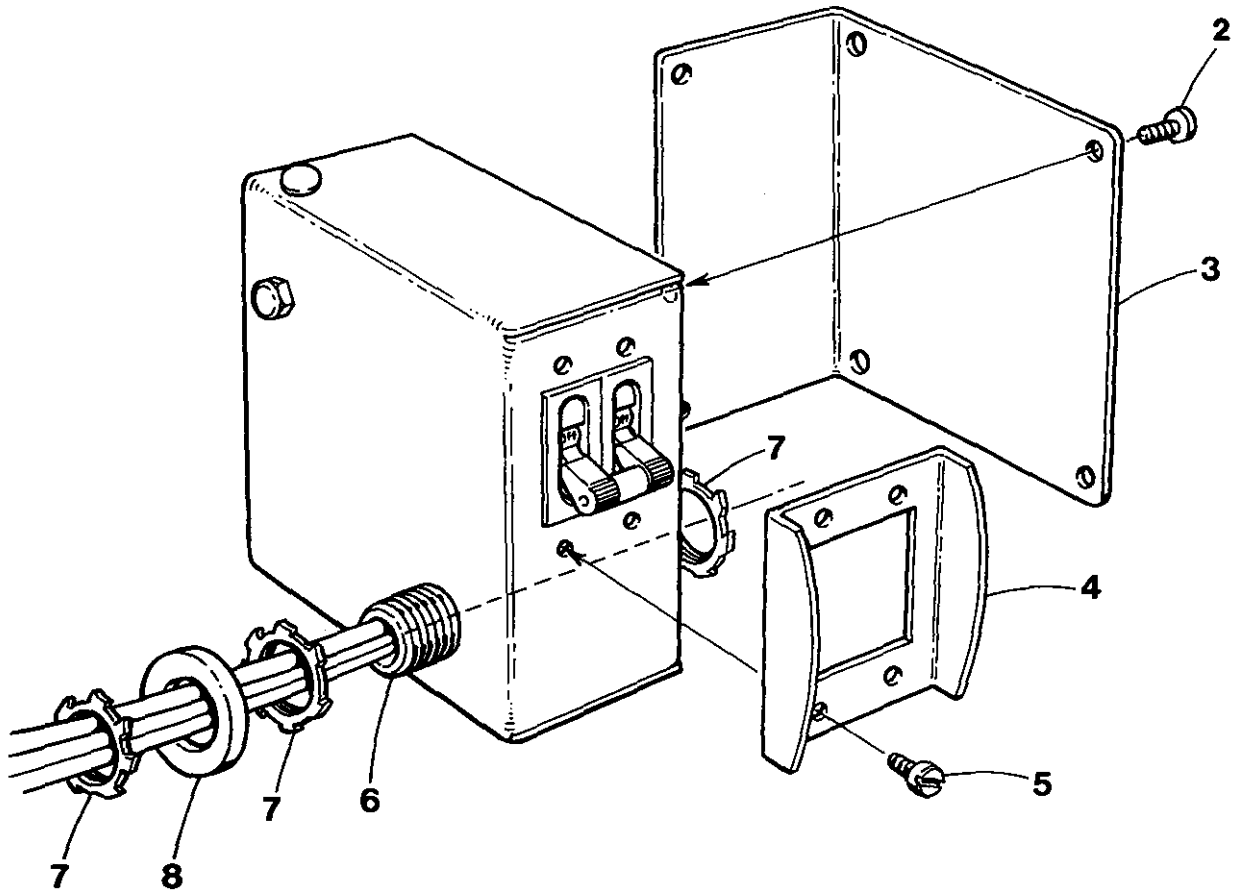
WESTERBEKE 7.6 BTD GENERATOR - AC OUTPUT



WESTERBEKE 7.6 BTD GENERATOR - AC OUTPUT

REF	PN	NAME	REMARKS	QUAN
1	031781	WASHER	M 5 DIN 125	4
2	031914	LOCKWASHER	M 5 DIN 6797A	4
3	031916	CAPSCREW	M 5 X 50 DIN 933	4
4	035937	TRANSFORMR	VOLTAGE REGULATION	1
5	038905	CONNECTOR	BOX - AC OUTPUT LEADS	1
6	035941	BLOCK	TERMINAL 2 POLE	1
9-1	035940	BLOCK	TERMINAL AC OUTPUT	1
9-2	038348	NUT	M 5 BRASS	AR
9-3	038349	BAR	BUSS	AR
9-4	040138	WASHER	M 5 BRASS	AR
10	035942	BLOCK	TERMINAL 3 POLE	1
11-1	031931	SCREW	M 5 X 16 DIN 84A	1
11-2	031914	LOCKWASHER	M 5 DIN 6797A	1
12	030809	RECTIFIER	BRIDGE	1
13	031914	LOCKWASHER	M 5 DIN 6797A	4
14	031918	SCREW	M 5 X 10 DIN 84A	4
15-1	031914	LOCKWASHER	M 5 DIN 6797A	2
15-2	031918	SCREW	M 5 X 10 DIN 84A	2
16	035939	BRACKET		1
17	035144	LABEL	AC OUTPUT CONNECTIONS	1

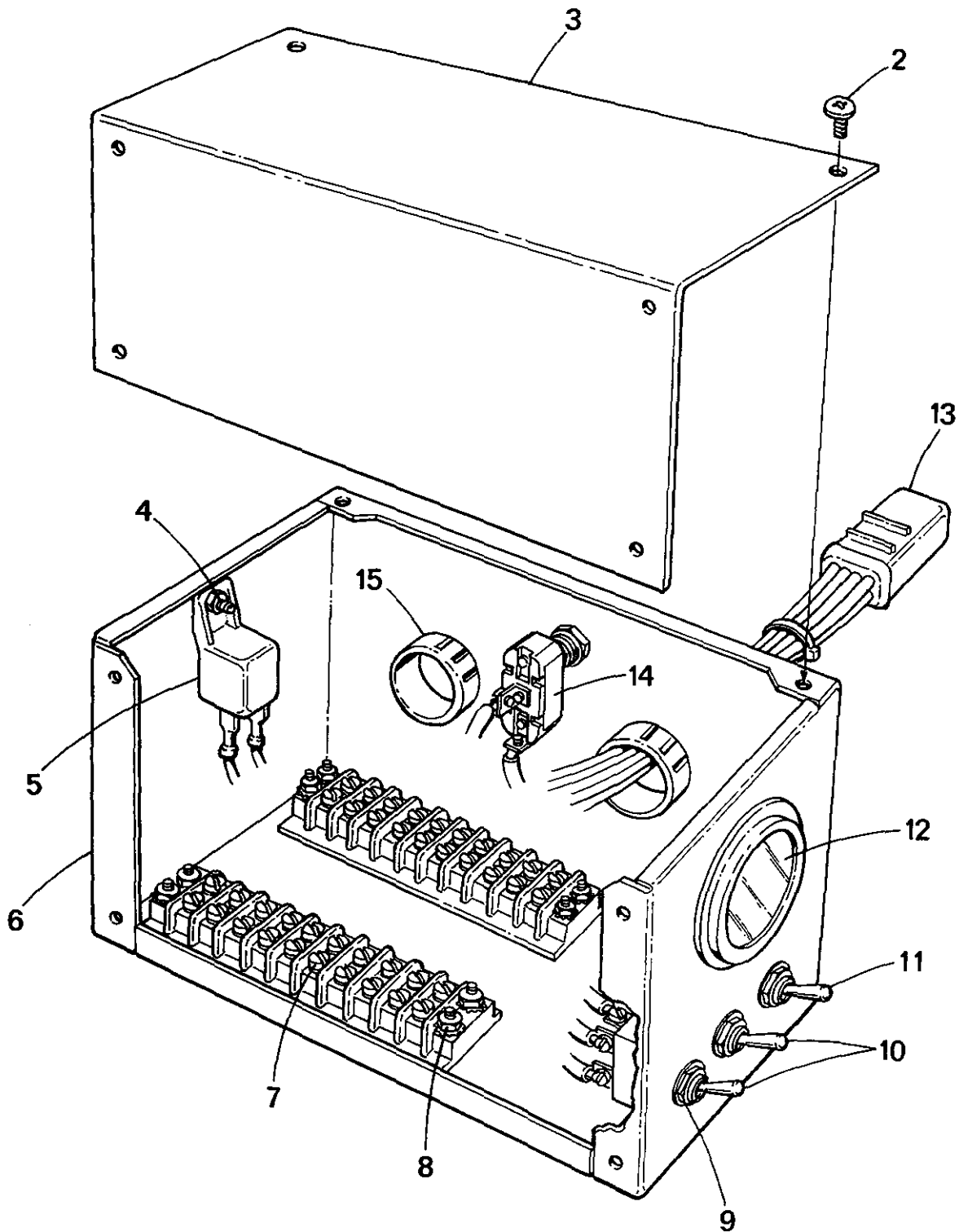
WESTERBEKE 7.6 BTD GENERATOR - AC OUTPUT CIRCUIT BREAKER



WESTERBEKE 7.6 BTD GENERATOR - AC OUTPUT CIRCUIT BREAKER

REF	PN	NAME	REMARKS	QUAN
1-1	038617	KIT	AC CIRCUIT BREAKER 60HZ	1
1-2	042313	KIT	AC CIRCUIT BREAKER 50HZ	1
2	031891	SCREW	8-32 X 3/8 TRUSS HEAD SS	6
3	038126	COVER	BOX	1
4	039082	GUARD	CIRCUIT BREAKER HANDLE	1
5	031852	SCREW	6-32 X 1/4 BINDING HEAD SS	4
6	016374	NIPPLE	3/4 NPT BRASS	1
7	038522	LOCKNUT	3/4 NPT	3
8	038523	SPACER		1
9-1	042707	BREAKER	CIRCUIT 35 AMP 60HZ 2 POLE	1
9-2	042706	BREAKER	CIRCUIT 25 AMP 50HZ 2 POLE	1
10	032493	LOCKWASHER	1/4 INTERNAL TOOTH BRONZE	2
11	032498	NUT	1/4NC HEX BRASS	2
12	032499	WASHER	FLAT 1/4 BRASS	2
13	036848	WIRE	WHITE 60HZ	1
14	038125	BOX	CIRCUIT BREAKER	1
15	038641	WIRE	BLACK 60/50HZ	1
16-1	038641	WIRE	BLACK 60HZ	1
16-2	042337	WIRE	WHITE 50HZ	1
17	031847	NUT	10-32 HEX SS	4
18	031848	WASHER	FLAT 10 SS	8
19	038622	CAPSCREW	1/4NC X 1 BRONZE FULLY THREADED	1
20	038621	PLUG	NYLON	1
21	042719	DIAGRAM	AC OUTPUT & CIRCUIT BREAKER WIRING	1

WESTERBEKE 7.6 BTD GENERATOR - PANEL BOX AND HARNESS

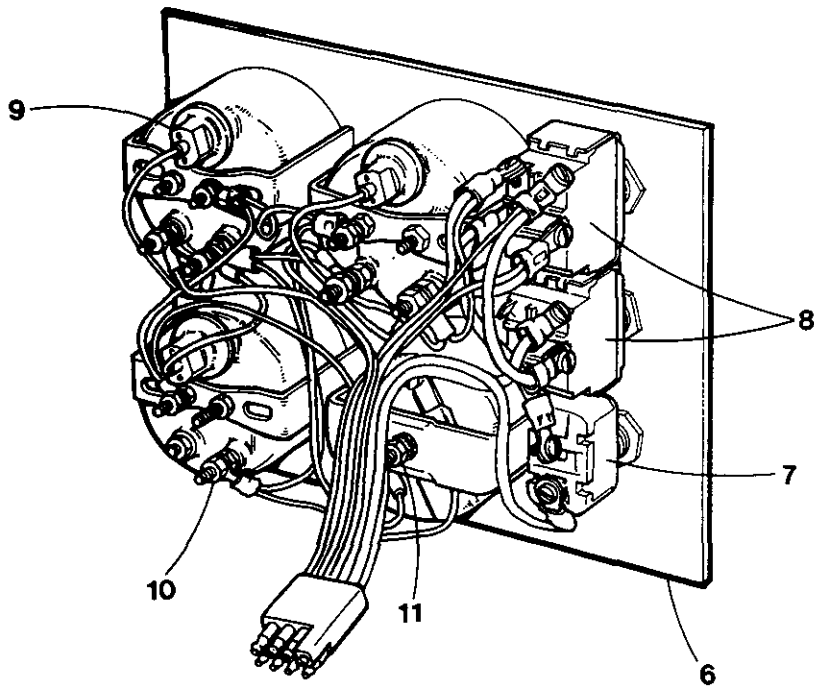
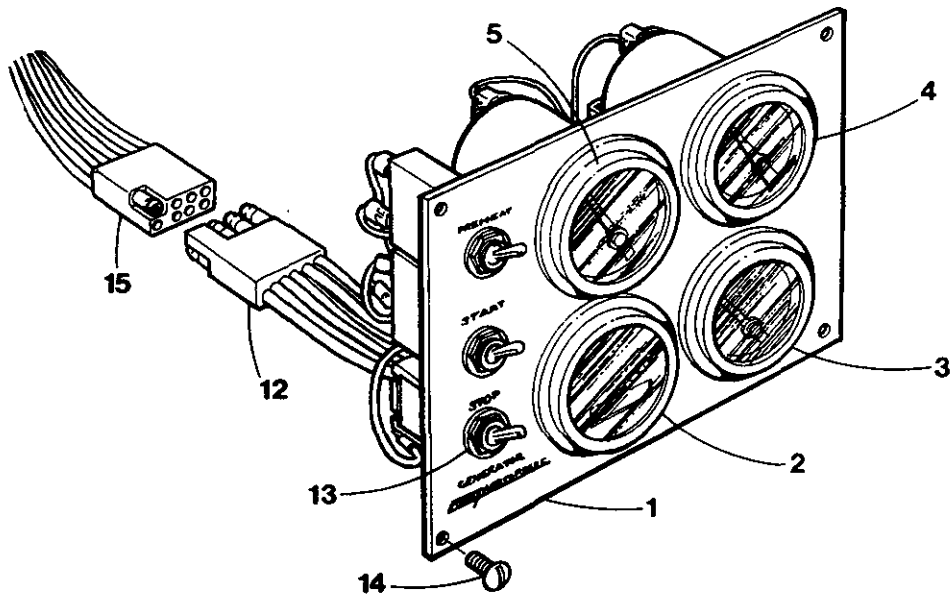




WESTERBEKE 7.6 BTD GENERATOR - PANEL BOX AND HARNESS

REF	PN	NAME	REMARKS	QUAN
1-1	039111	PANEL	BOX & HARNESS	1
1-2	041057	PANEL	BOX & HARNESS WITH HOURMETER	1
2	031891	SCREW	8-32 X 3/8 TRUSS HEAD SS	6
3	040593	COVER	PANEL BOX	1
4-1	031862	SCREW	8-32 X 3/8 BINDING HEAD SS	1
4-2	031842	NUT	8-32 HEX SS	1
4-3	031843	WASHER	FLAT 8 SS	1
4-4	031844	LOCKWASHER	8 SS	1
5	037833	RELAY	40 AMP	1
6	040592	BOX	PANEL	1
7-1	039928	BLOCK	TERMINAL	2
7-2	039929	MARKER	TERMINAL BLOCK	2
8-1	031855	SCREW	6-32 X 5/8 BINDING HEAD SS	8
8-2	050234	NUT	6-32 KEPS	8
8-3	015222	PLATE	SCREW-TERMINAL BLOCK	4
8-4	015223	JUMPER	TERMINAL BLOCK	1
9-1	031999	RING	LOCK-TOGGLE SWITCH MOUNT	4
9-2	038042	NUT	SWITCH	4
10	024732	SWITCH	PREHEAT-START	2
11	024731	SWITCH	STOP	1
12	036192	HOURLMETER		1
13	036232	HARNESS	REMOTE PANEL	1
14-1	033259	SWITCH	EMERGENCY STOP	1
14-2	033258	BOOT	EMERGENCY STOP SWITCH	1
14-3	033251	LABEL	EMERGENCY STOP SWITCH	1
15	023938	BUSHING	SNAP-IN 1-3/8 IN HOLE	2
16-1	039081	HARNESS	ENGINE	1
16-2	040614	HARNESS	PANEL BOX	1
17	024968	LABEL	GENSET OPERATING INSTRUCTIONS	1

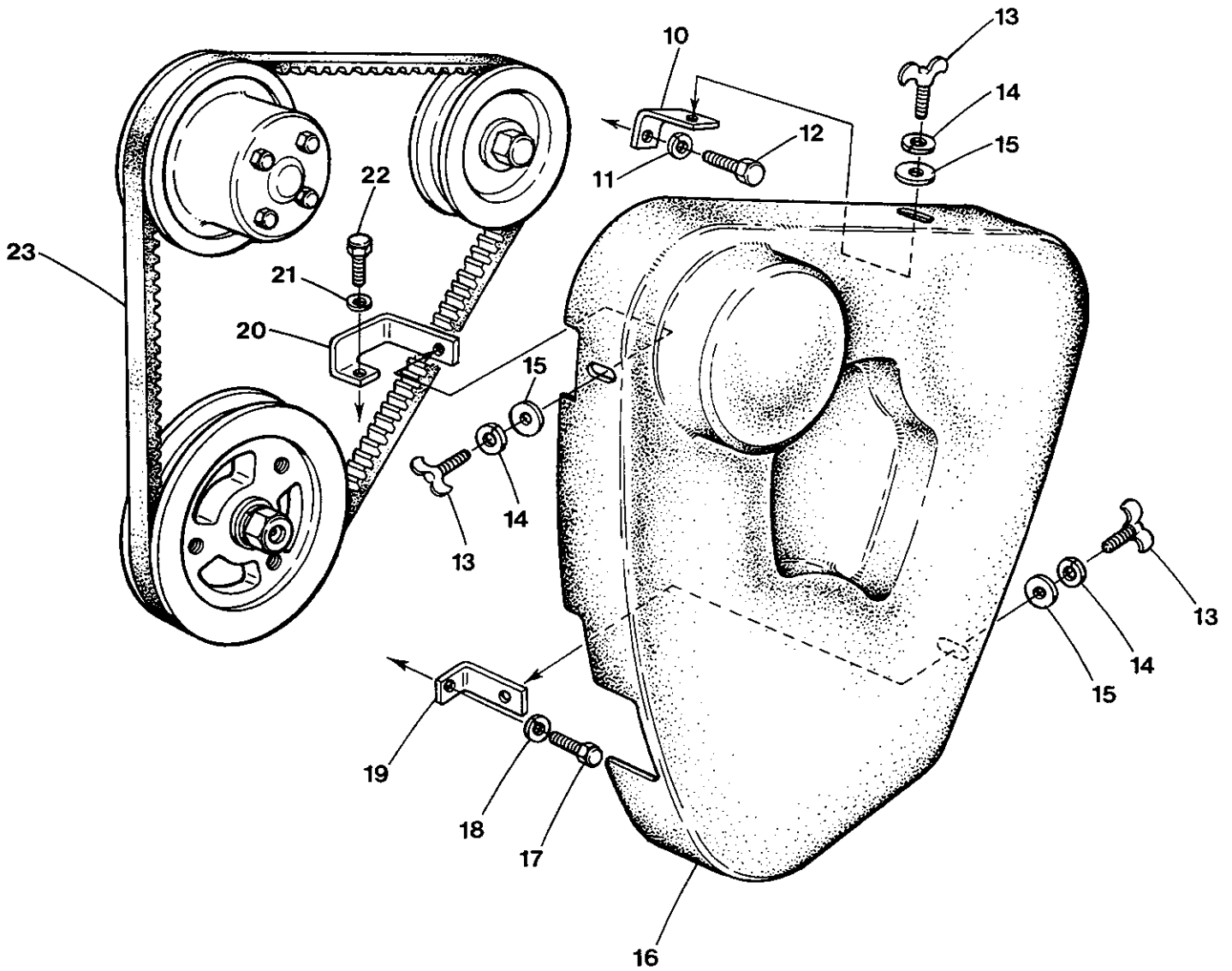
WESTERBEKE 7.6 BTD GENERATOR - CONTROL PANEL



WESTERBEKE 7.6 BTD GENERATOR - CONTROL PANEL

REF	PN	NAME	REMARKS	QUAN
1	036539	PANEL	GENERATOR CONTROL REF 2 THRU 13	1
2	036192	HOURLMETER		1
3	037605	VOLTMETER	12 VDC	1
4	037603	METER	OIL PRESSURE 0-100 PSI	1
5	037601	METER	WATER TEMPERATURE	1
6	034485	PLATE	PANEL	1
7	024731	SWITCH	STOP	1
8	024732	SWITCH	PREHEAT-START	2
9-1	035114	LAMP	INSTRUMENT WEDGE BASE	3
9-2	035118	HOLDER	LAMP WEDGE BASE	3
9-3	035825	WIRE	LAMP POWER CONNECTION	3
10-1	031897	NUT	8-32 HEX BRASS	AR
10-2	031899	LOCKWASHER	8 BRONZE	AR
11-1	031842	NUT	8-32 HEX SS	2
11-2	031844	LOCKWASHER	8 SS	2
12	036538	HARNESS	PANEL	1
13-1	031999	RING	LOCK-TOGGLE SWITCH MOUNT	3
13-2	038042	NUT	SWITCH	3
15	030760	HARNESS	12 PIN 15 FT PANEL EXTENSION	1

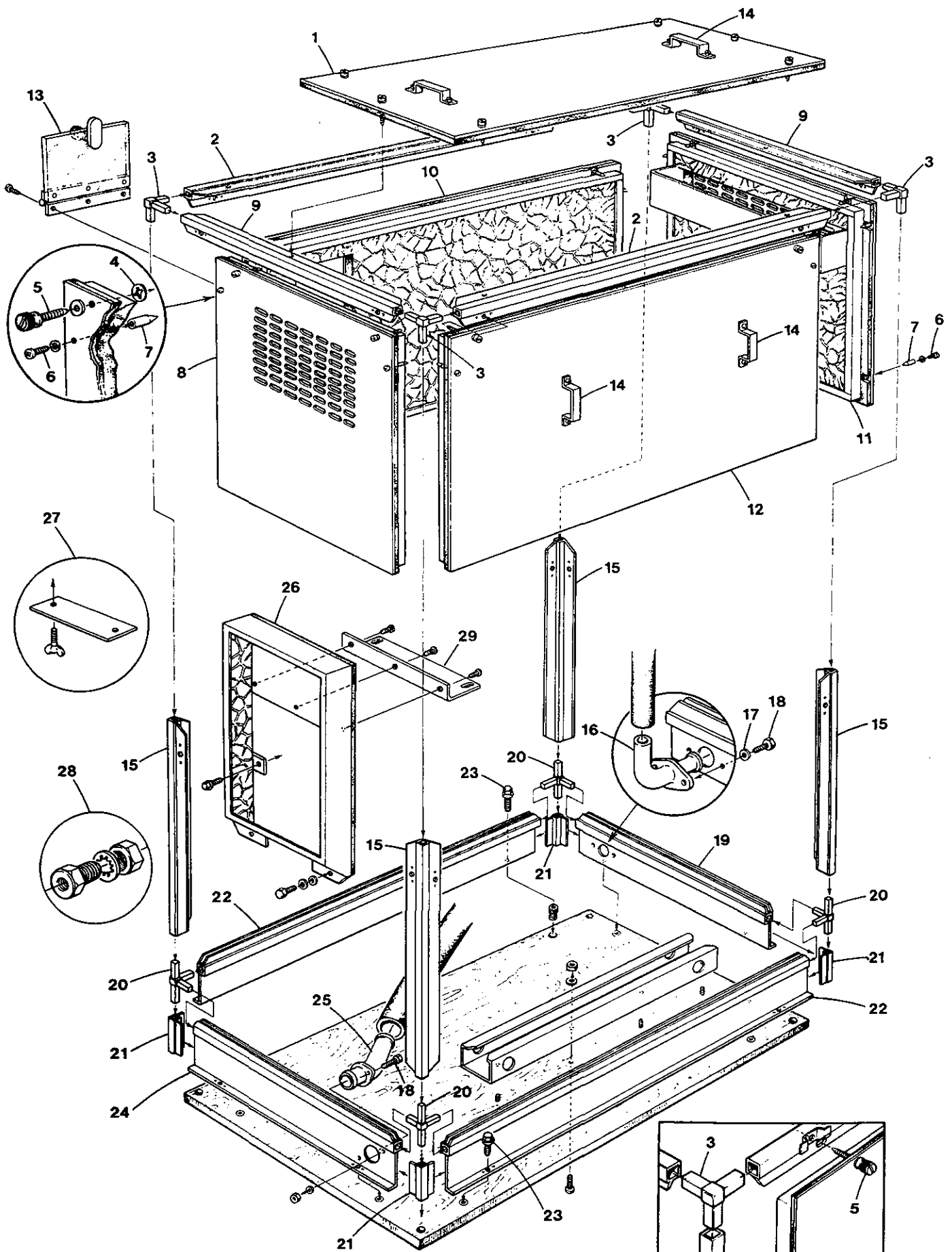
WESTERBEKE 7.6 BTD GENERATOR - BELT - BELT GUARD



WESTERBEKE 7.6 BTD GENERATOR - BELT - BELT GUARD

REF	PN	NAME	REMARKS	QUAN
10	040902	BRACKET	BELT GUARD	1
11	031783	LOCKWASHER	M 6 DIN 127	1
12	033351	CAPSCREW	M 6 X 60 DIN 931	1
13	033228	WINGSCREW	BELT GUARD	3
14	031849	LOCKWASHER	10 SS	3
15	033372	WASHER	BELT GUARD	3
16	040944	GUARD	BELT	1
17	034213	CAPSCREW	M 6 X 40 DIN 931	1
18	031783	LOCKWASHER	M 6 DIN 127	1
19	038130	BRACKET	BELT GUARD	1
20	038129	BRACKET	BELT GUARD	1
21	031783	LOCKWASHER	M 6 DIN 127	1
22	018804	CAPSCREW	M 6 X 20 DIN 933	1
23	301073	BELT		1

# WESTERBEKE 7.6 BTD GENERATOR - SOUND GUARD



WESTERBEKE 7.6 BTD GENERATOR - SOUND GUARD

REF	PN	NAME	REMARKS	QUAN
1		PANEL	TOP	1
2	038263	RAIL	SIDE	2
3	024057	CORNER		4
4	030896	RETAINER	QUICK OPENING SCREW	AR
5	030895	SCREW	QUICK OPENING	AR
6	031940	SCREW	6-32 X 3/8 SEMS PHIL HD	AR
7	030775	GUIDE	PANEL ALIGNMENT	AR
8		PANEL	REAR	1
9	038383	RAIL	END	2
10		PANEL	SIDE	1
11		PANEL	FRONT	1
12		PANEL	SIDE WITH WINDOW	1
13	037417	WINDOW	ASSEMBLY	1
14	035720	HANDLE		AR
15	040477	POST	CORNER	4
16	036624	ELBOW	SEA WATER INLET	1
17	031752	LOCKWASHER	1/4	4
18	031501	CAPSCREW	1/4NC X 1/2	4
19	038328	SKIRT	FRONT	1
20	024058	CORNER		4
21	030880	CLOSURE	SKIRT CORNER	4
22	038258	SKIRT	SIDE	2
23	031503	CAPSCREW	1/4NC X 3/4	8
24	040433	SKIRT	REAR	1
25-1	041700	ELBOW	EXHAUST 90 DEG 1-7/8IN	1
25-2	037816	BUSHING	1-7/8" TO 2" HOSE	1
26	041701	DUCT	AIR INTAKE	1
27	037298	COVER KIT	BOTTOM OF GENSET VENT	1
28	023991	ADAPTER	FUEL LINES THRU SKIRT-OPTIONAL	2
29	041710	BRACKET	SUPPORT AIR DUCT	1
30	038289	HOSE	SKIRT TO SEA WATER PUMP	1
31	038948	CONNECTOR	2" HOSE 45 DEG	1

WESTERBEKE 7.6 BTD GENERATOR - MISCELLANEOUS

REF	PN	NAME	REMARKS	QUAN
1	041517	KIT A	SPARE PARTS	1
2	041518	KIT B	SPARE PARTS-EXTENDED CRUISING	1
3	037116	GASKET SET	UPPER	1
4	037117	GASKET SET	COMPLETE	1
5	037121	KIT	FUEL HARDWARE	1
6	024177	KIT	REMOTE FRESH WATER SURGE TANK	1
7-1	013758	PAINT	RED AEROSOL SPRAY CAN	1
7-2	042307	PAINT	WHITE AEROSOL SPRAY CAN	1
8	030760	HARNESS	12 PIN 15 FT PANEL EXTENSION	1
9	041800	PARTSLIST		1
10		MANUAL	TECHNICAL	1
11	040457	MANUAL	OPERATOR	1
12	032974	FILTER	SEDIMENTER/WATER TRAP	1
13	039284	DIAGRAM	GENSET WIRING	1
14	033327	VALVE	ANTI-SIPHON VENT	1
15	015010	STRAINER	SEA WATER	1
16	034936	MUFFLER	HYDRO-HUSH C	1
17-1	033340	ADAPTER	HOSE TO MUFFLER-STRAIGHT	AR
17-2	033341	ADAPTER	HOSE TO MUFFLER-45 DEGREE	AR
17-3	033342	ADAPTER	HOSE TO MUFFLER-90 DEGREE	AR
17-4	033943	COUPLING	RUBBER INCLUDING CLAMPS	AR



PART NO	PAGE	REF	PART NO	PAGE	REF	PART NO	PAGE	REF
011386	115	56	019262	129	7	030213	123	52
011405	113	15	019262	129	9	030214	101	23
011405	113	17	019262	129	14	030219	105	18
011405	115	68	019262	129	29	030225	111	39
011597	123	43-3	019262	131	65	030231	107	6
011885	115	55	019262	131	73	030239	101	22
012292	115	69	019321	113	44	030241	105	31
013329	123	43-1	019369	115	54	030242	105	28
013337	115	59	020628	119	29-1	030244	111	37
013340	109	33	022850	113	45	030272	101	12
013340	123	49	022851	113	43	030273	109	3
013340	125	29	022852	113	46	030274	107	7
013341	101	18	023938	137	15	030274	109	16
013343	121	12-3	023991	143	28	030277	119	7
013344	121	12-2	024057	143	3	030277	119	13
013589	131	46	024058	143	20	030280	109	11
013590	111	51-1	024132	111	41	030289	121	8
013629	129	8	024132	125	31	030289	123	53
013629	131	80	024177	144	6	030291	123	36
013630	109	25-1	024306	113	14	030292	119	20
013630	125	11	024369	105	8	030293	119	21
013631	129	10	024373	101	2	030323	119	19
013741	123	33	024600	121	12-1	030326	109	24
013758	144	7-1	024602	113	27	030326	117	15
013760	129	27	024637	115	67	030386	113	39
015010	144	15	024639	125	17	030449	119	31
015222	137	8-3	024674	131	52	030461	111	40
015223	137	8-4	024683	125	13	030707	101	31
015812	119	18	024704	115	65	030708	101	4
015812	129	33	024731	137	11	030711	105	6
015816	119	32-1	024731	139	7	030712	101	10
015828	109	22	024732	137	10	030712	111	45
015830	113	12	024732	139	8	030760	139	15
015887	131	72	024776	131	54	030760	144	8
016374	135	6	024786	115	66	030775	143	7
016676	123	43-2	024836	129	35	030809	133	12
016988	121	9	024844	111	52	030846	103	45
017012	105	22-1	024844	125	32	030880	143	21
017012	127	45	024858	115	64	030895	143	5
017196	101	13	024905	103	47	030896	143	4
017196	123	32	024906	115	63	031225	105	43
018242	109	18	024907	113	13	031225	127	43
018242	113	8	024922	103	46	031228	131	66
018242	125	3	024948	101	14	031281	109	21
018242	127	39	024952	129	15	031501	123	47
018249	101	16	024968	129	31	031501	125	22
018804	101	8	024968	137	17	031501	143	18
018804	105	25	024972	123	35	031503	143	23
018804	113	21	024977	115	62	031506	115	50
018804	113	31	024984	123	34	031555	127	48
018804	113	35	030025	123	48	031556	131	59
018804	121	2	030146	111	43	031560	123	54
018804	141	22	030146	113	36	031712	131	51
019039	131	71	030199	123	39	031712	131	67
019262	115	52	030200	123	38	031750	127	53-3
019262	123	51	030210	123	37-1	031752	115	49
019262	125	16	030211	123	37-2	031752	123	46
019262	129	3	030212	123	40	031752	125	21

PART NO	PAGE	REF	PART NO	PAGE	REF	PART NO	PAGE	REF
031752	143	17	031792	131	47	032498	135	11
031753	115	48	031801	105	36	032499	135	12
031753	123	45	031802	119	1	032923	125	4
031753	125	20	031802	119	16	032947	115	58
031756	131	61	031809	103	37	032974	144	12
031758	123	55	031810	101	25-1	032996	129	16-2
031758	127	49	031810	101	28-1	033037	117	5
031758	131	60	031810	111	46-1	033043	117	7
031759	123	56	031824	111	44	033044	117	3
031760	125	23	031824	113	40	033123	105	17
031774	131	45	031825	103	41-1	033123	109	31
031774	131	58	031825	109	7-1	033124	105	35
031776	131	44	031825	113	37-1	033126	105	16
031776	131	57	031825	115	72	033126	109	30
031777	131	56	031825	119	11	033134	105	9
031781	129	24	031835	129	21	033149	105	30
031781	133	1	031842	137	4-2	033151	105	41
031783	101	25-2	031842	139	11-1	033152	105	40
031783	101	28-2	031843	137	4-3	033200	119	30
031783	103	41-2	031844	125	6	033212	101	3
031783	105	22-2	031844	125	19	033228	141	13
031783	109	7-2	031844	137	4-4	033251	137	14-3
031783	111	46-2	031844	139	11-2	033258	137	14-2
031783	111	51-2	031847	125	24	033259	137	14-1
031783	113	20	031847	135	17	033327	144	14
031783	113	37-2	031848	135	18	033340	144	17-1
031783	115	71-1	031849	141	14	033341	144	17-2
031783	119	29-2	031852	135	5	033342	144	17-3
031783	119	32-2	031855	137	8-1	033351	113	32
031783	121	3	031861	125	12	033351	141	12
031783	127	46	031862	137	4-1	033372	141	15
031783	129	34	031866	125	18	033381	125	8
031783	141	11	031891	135	2	033381	127	50
031783	141	18	031891	137	2	033530	131	55
031783	141	21	031897	139	10-1	033538	107	13
031784	105	14	031899	139	10-2	033636	109	23
031784	105	22-3	031904	127	52-2	033636	115	60
031784	113	19	031911	125	7	033636	117	1-1
031784	115	71-2	031914	129	25	033657	101	11
031786	105	38	031914	129	39	033657	105	7
031786	109	19	031914	131	68	033943	144	17-4
031786	109	25-2	031914	133	2	034182	131	41
031786	113	9	031914	133	11-2	034213	141	17
031786	119	2	031914	133	13	034397	109	36
031786	119	15	031914	133	15-1	034440	117	9
031786	123	31	031915	131	79	034457	117	1-2
031786	125	10	031916	133	3	034458	117	6
031786	127	40	031918	129	40	034459	117	11
031787	105	39	031918	133	14	034460	117	8
031787	109	20	031918	133	15-2	034461	117	12
031787	113	10	031919	129	26	034462	117	4
031787	123	30	031920	131	69	034463	117	13
031787	127	41	031931	133	11-1	034464	117	2
031789	115	51	031935	113	6	034466	117	1-3
031789	129	2	031940	143	6	034470	129	30
031789	129	6	031999	137	9-1	034485	139	6
031789	129	28	031999	139	13-1	034497	113	41
031789	131	78	032493	135	10	034552	125	1

PART NO	PAGE	REF	PART NO	PAGE	REF	PART NO	PAGE	REF
034552	129	1	036624	143	16	036978	109	12
034589	123	50	036819	103	44	036979	105	32
034589	125	15	036848	135	13	036980	105	24
034589	129	4	036914	107	4	036981	101	27
034593	131	63	036915	111	42	036982	109	27
034620	105	21	036916	103	38	036986	105	29
034642	105	26	036917	101	6	036987	101	17
034642	113	38	036918	101	24	036988	103	39
034669	125	27	036919	105	11	036989	119	14
034731	129	36	036921	121	16	036991	107	8-1
034737	131	48	036922	121	18	036993	107	10-1
034738	131	42-3	036923	121	28	036994	107	9
034742	131	42-2	036924	129	17	036995	109	14
034786	131	42-1	036925	121	21-1	036996	109	9
034857	121	10	036926	121	21-2	036997	101	29
034867	131	43	036927	121	21-3	037004	101	30
034936	144	16	036928	121	21-4	037005	101	32
035109	113	28	036929	121	21-5	037006	109	8
035109	125	35	036930	121	21-6	037007	105	12
035114	139	9-1	036931	121	21-7	037008	105	23
035118	139	9-2	036932	121	21-8	037009	121	4-3
035144	131	81	036933	121	21-9	037010	121	4-5
035144	133	17	036934	121	21-10	037011	121	4-6
035273	131	53	036935	121	25	037012	121	4-7
035411	113	5	036936	105	15	037013	121	4-8
035711	125	5	036938	111	47	037014	121	4-9
035720	143	14	036939	119	36	037015	113	34
035825	139	9-3	036940	101	9	037016	113	29
035927	129	19	036941	119	33	037017	109	17
035928	129	18	036942	119	10	037018	101	34-1
035929	129	20	036943	101	21	037019	109	28
035930	129	23	036945	101	7	037021	119	35
035931	131	77	036946	109	26	037022	119	34
035932	131	75	036948	109	4	037023	119	5
035933	131	74-2	036948	109	10	037024	119	12
035934	129	37-2	036948	109	15	037025	109	13
035935	131	70	036949	109	1	037026	105	27
035936	129	38	036950	109	5	037027	105	34
035937	133	4	036951	121	13	037028	125	37
035939	133	16	036952	121	14	037029	105	33
035940	133	9-1	036953	121	15	037030	111	38
035941	133	6	036954	105	10	037043	113	25
035942	133	10	036955	113	11	037044	119	22
035943	131	76	036956	113	24	037045	101	26
036048	129	13	036957	113	33	037046	105	19
036192	137	12	036958	105	3	037047	107	1-1
036192	139	2	036959	105	4	037050	111	48
036218	125	2	036960	105	44	037051	111	49
036228	113	23	036961	125	36	037053	105	37
036232	137	13	036962	103	35	037056	105	1
036425	113	2	036963	101	5	037057	113	30
036493	103	42	036964	121	4-1	037058	107	2-2
036538	139	12	036965	121	4-2	037059	107	2-3
036539	139	1	036966	121	4-4	037060	107	1-2
036541	113	3	036967	105	42	037061	107	1-3
036563	125	25	036968	109	32	037062	101	34-2
036616	113	1	036969	105	2	037063	101	34-3
036622	113	42	036970	109	6	037066	107	5-2

PART NO	PAGE	REF	PART NO	PAGE	REF	PART NO	PAGE	REF
037067	107	5-3	038042	139	13-2	040138	133	9-4
037068	103	36	038064	115	70	040433	143	24
037069	107	5-1	038074	125	33	040457	144	11
037070	111	50	038076	115	61	040477	143	15
037071	107	2-1	038079	113	16	040540	127	47
037072	101	20	038080	115	57	040592	137	6
037073	101	19	038084	123	29	040593	137	3
037074	101	15	038087	125	9	040614	137	16-2
037075	109	2	038088	131	49	040902	141	10
037077	107	3	038112	131	64-1	040925	107	10-2
037078	119	28	038113	131	64-2	040926	107	8-2
037079	119	25	038114	113	4	040944	141	16
037080	119	27	038125	135	14	040964	127	42
037082	119	23	038126	135	3	041057	129	32-2
037084	105	5	038129	141	20	041057	137	1-2
037086	109	29	038130	141	19	041117	127	52-1
037087	105	13	038147	113	47	041130	115	53
037090	119	9	038148	131	50	041250	105	45
037091	121	19	038149	131	62	041517	144	1
037092	119	26	038202	129	16-1	041518	144	2
037095	103	40	038258	143	22	041700	143	25-1
037099	121	17	038263	143	2	041701	143	26
037100	125	26	038289	143	30	041710	143	29
037101	119	24	038328	143	19	041800	144	9
037103	121	1	038348	133	9-2	042307	144	7-2
037105	121	6	038349	133	9-3	042313	135	1-2
037106	121	22	038354	131	74-1	042337	135	16-2
037107	121	23	038383	143	9	042706	135	9-2
037108	121	24	038399	121	7	042707	135	9-1
037109	121	27	038401	121	5	042719	135	21
037112	121	20	038429	121	11	050234	137	8-2
037113	121	26	038522	135	7	301073	127	44
037114	101	33	038523	135	8	301073	141	23
037116	144	3	038617	135	1-1			
037117	144	4	038621	135	20			
037121	144	5	038622	135	19			
037162	113	26	038641	135	15			
037167	107	11	038641	135	16-1			
037168	107	12	038678	117	14			
037191	105	20	038680	119	17			
037298	143	27	038686	123	41			
037312	113	7	038896	123	42			
037323	109	34	038905	133	5			
037323	125	30	038948	143	31			
037338	129	22	039072	125	14			
037383	113	18	039081	125	38			
037393	103	43	039081	137	16-1			
037417	143	13	039082	135	4			
037428	129	37-1	039111	129	32-1			
037508	109	35	039111	137	1-1			
037508	125	28	039275	123	44			
037601	139	5	039284	127	53			
037603	139	4	039284	144	13			
037605	139	3	039550	113	22			
037723	129	37-3	039550	125	34			
037816	143	25-2	039928	137	7-1			
037833	137	5	039929	137	7-2			
038042	137	9-2	039953	101	1			