

PARTS LIST

WESTERBEKE

82B Four

Marine Diesel Engine

25.0 BED - 60 Hz

20.0 BED - 50 Hz

Marine Diesel Generators

Publication #040000

Edition One

May 1994



*WESTERBEKE CORPORATION
MYLES STANDISH INDUSTRIAL PARK
150 JOHN HANCOCK ROAD, TAUNTON, MA 02780-7319*

PARTS LIST

WESTERBEKE

82B Four

Marine Diesel Engine

25.0 BED - 60 Hz

20.0 BED - 50 Hz

Marine Diesel Generators

Publication #040000

Edition One

May 1994



IMPORTANT

PRODUCT SOFTWARE DISCLAIMER

Product software of all kinds such as brochures, drawings, technical data, operator's and workshop manuals, parts lists and parts price lists, and other information, instructions and specifications provided from sources other than Westerbeke, is not within Westerbeke's control and, accordingly, is provided to Westerbeke customers only as a courtesy and service. **Westerbeke cannot be responsible for the content of such software, makes no warranties or representations with respect thereto, including the accuracy, timeliness or completeness thereof, and will in no event be liable for any type of damages or injury incurred in connection with, or arising out of, the furnishing or use of such software.**

For example, components and subassemblies incorporated in Westerbeke's products and supplied by others (such as engine blocks, fuel systems and components, transmissions, electrical components, pumps and other products) are generally supported by their manufacturers with their own software, and Westerbeke must depend on such software for the design of Westerbeke's own product software. Such software may be outdated and no longer accurate. Routine changes made by Westerbeke's suppliers, of which Westerbeke rarely has notice in advance, are frequently not reflected in the supplier's software until after such changes take place.

Westerbeke customers should also keep in mind the time span between printings of Westerbeke product software, and the unavoidable existence of earlier, non-current Westerbeke software editions in the field. Additionally, most Westerbeke products include customer-requested special features that frequently do not included complete documentation.

In summation, product software provided with Westerbeke products, whether from Westerbeke or other suppliers, must not and cannot be relied upon exclusively as the definitive authority on the respective product. It not only makes good sense but is imperative that appropriate representatives of Westerbeke or the supplier in question be consulted to determine the accuracy and currency of the product software being consulted by the customer.

82B FOUR PROPULSION ENGINE

25.0 BED GENERATOR - 60 HERTZ

20.0 BED GENERATOR - 50 HERTZ

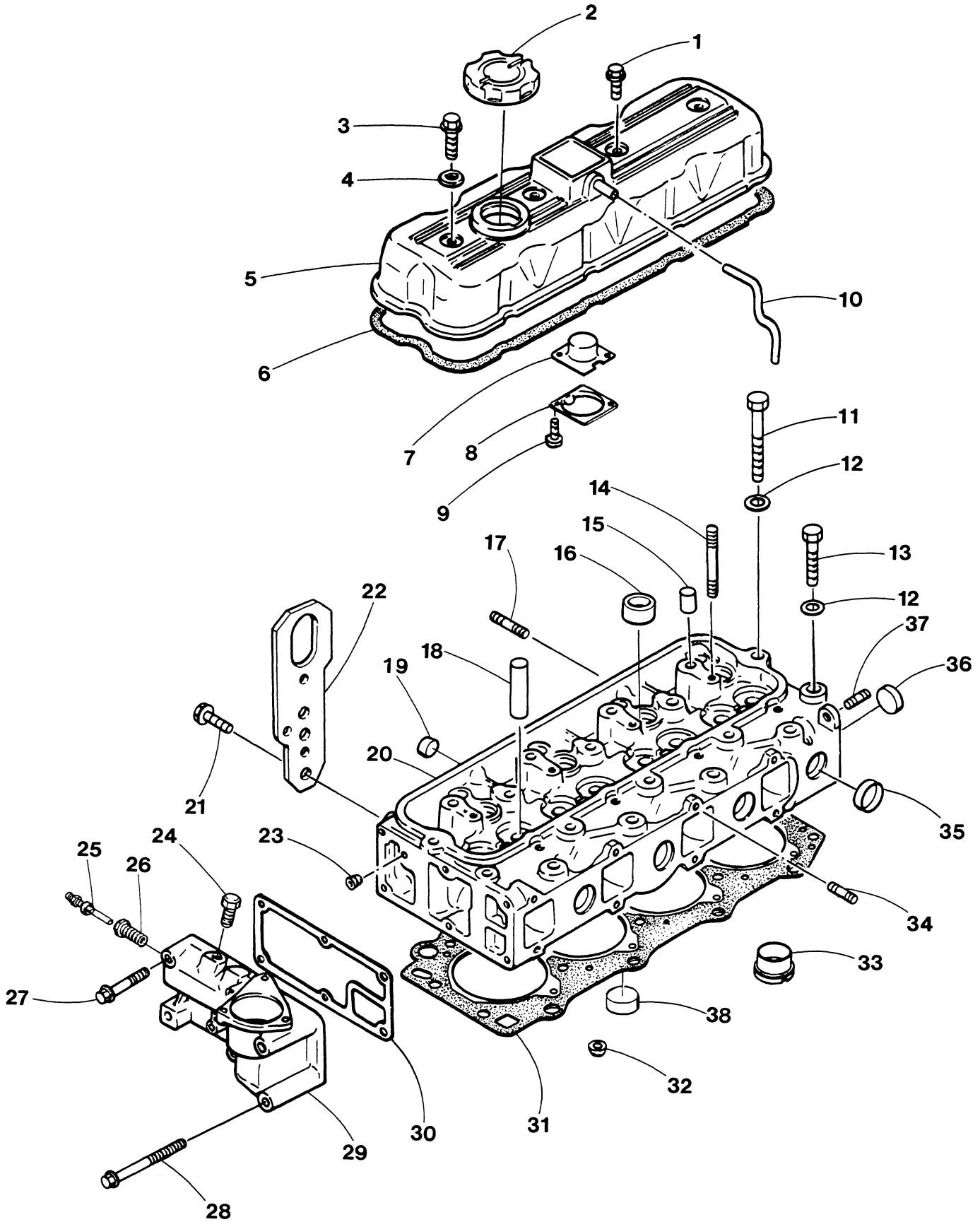
TABLE OF CONTENTS

PAGE	DESCRIPTION
100	CYLINDER BLOCK
102	CYLINDER HEAD - ROCKER COVER
104	CRANKSHAFT - PISTONS
106	VALVES - ROCKER SHAFT - CAMSHAFT
108	TIMING GEAR COVER - LUBE OIL SUMP
110	INTAKE MANIFOLD
112	LUBE OIL FILTER AND PUMP
115	FRESH WATER COOLING SYSTEM - FRONT
116	COOLING SYSTEM - REAR
118	FRONT OPENING EXHAUST MANIFOLD
120	SEA WATER SYSTEM AND ALTERNATOR
124	SEA WATER PUMP
126	FRESH WATER PUMP
128	FUEL SYSTEM
134	PROPULSION BACK END - MOUNTING SYSTEM
136	MODEL HBW 250 TRANSMISSION
138	MODEL HSW 630 TRANSMISSION
140	WARNER HYDRAULIC TRANSMISSION
142	GENSET MOUNTING SYSTEM
144	GENSET BACK END - GENERATOR
148	GENSET AC OUTPUT AND REGULATOR
150	GENSET ELECTRONIC GOVERNOR ACTUATOR
152	GENSET BELT GUARD
154	ELECTRICAL SYSTEM
156	PROPULSION INSTRUMENT PANELS
158	GENSET CONTROL PANEL
160	GENSET SOUND GUARD
162	MISCELLANEOUS

WESTERBEKE 82B - 25.0 BED - CYLINDER BLOCK

REF	PN	NAME	REMARKS	QUAN
1-1	034923	BLOCK	ASSEMBLY-PROPULSION	1
1-2	034923	BLOCK	ASSEMBLY-GENSET WITH ELECTRONIC GOVERNOR	1
1-3	035992	BLOCK	ASSEMBLY-GENSET WITH MECHANICAL GOVERNOR	1
2	024373	PLUG	EXPANSION 25MM DIN 443	3
3	033656	DOWEL		2
4	032715	LINER	CYLINDER	4
5	024379	PLUG	CAMSHAFT	1
6	024374	PLUG	EXPANSION 30MM DIN 443	6
7	030712	PLUG	1/4BSPT HEX HEAD BRASS	1
8	030711	PLUG	1/8BSPT SOCKET HEAD	1
9	024393	PLUG	OIL GALLERY-BLOCK REAR	1
10	031281	STUD	M 8 X 40 DIN 939	1
11	031281	STUD	M 8 X 40 DIN 939	1
12	032804	DOWEL	TUBULAR	10
13	032635	WASHER	FLAT	10
14	032643	BOLT	MAIN BEARING CAP-REAR	2
15	032642	BOLT	MAIN BEARING CAP	8
16	015828	STUD	M 8 X 22 DIN 939	1
17	024364	PLUG	EXPANSION 18MM CUP	2
18	032368	DOWEL	IDLER GEAR HUB 30968	1
19	015831	STUD	M 8 X 32 DIN 939	1
20	033657	PLUG	EXPANSION 40MM DIN 443	1

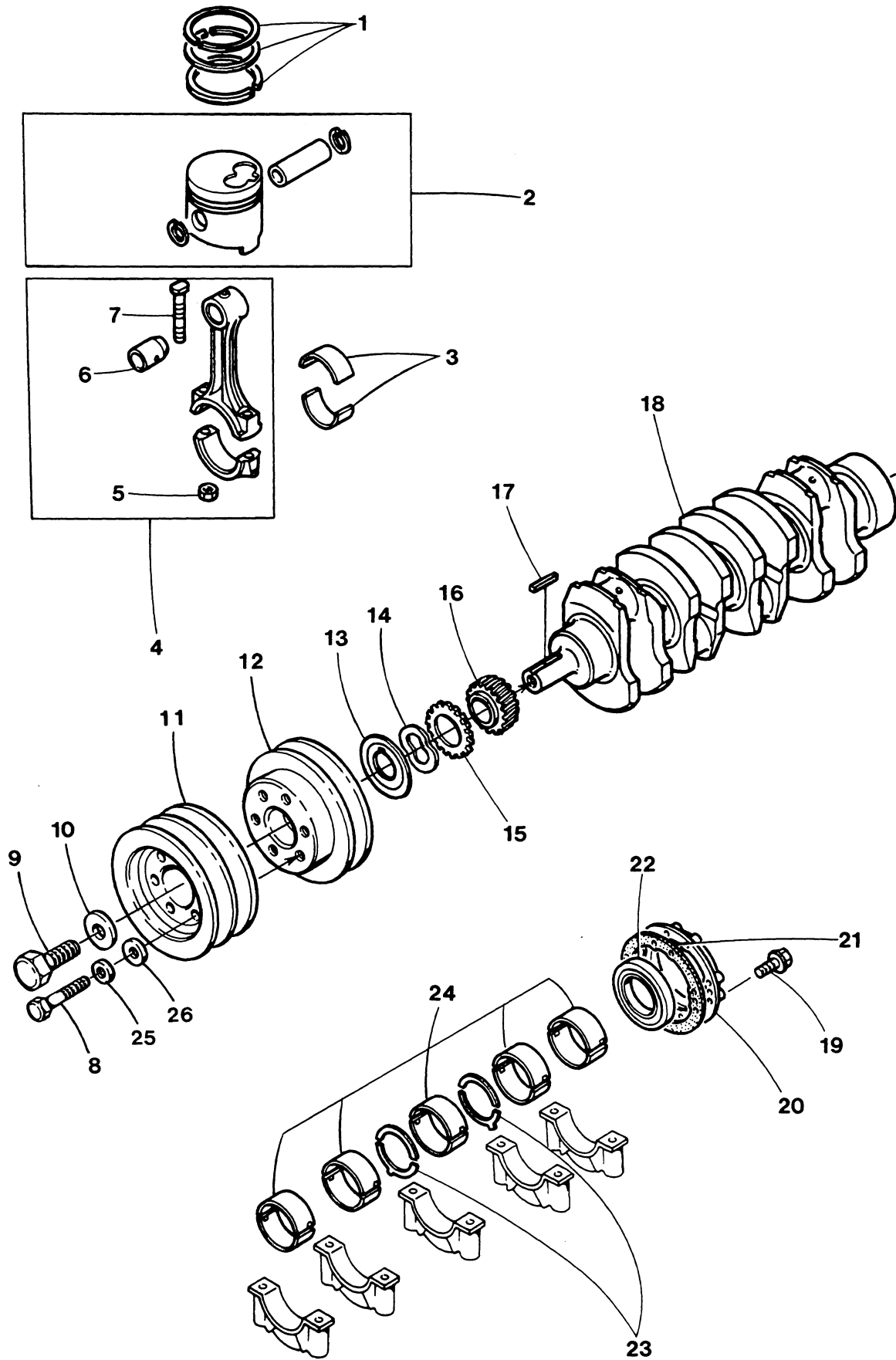
WESTERBEKE 82B - 25.0 BED - CYLINDER HEAD



WESTERBEKE 82B - 25.0 BED - CYLINDER HEAD

REF	PN	NAME	REMARKS	QUAN
1	033645	CAPSCREW	M 8 X 40 JIS-FLANGE	2
2	040151	CAP	OIL FILLER	1
3	033641	CAPSCREW	M 8 X 16 JIS-FLANGE	2
4	030985	SEAL	ROCKER COVER CAPSCREW	4
5	032638	COVER	ROCKER	1
6	032639	GASKET	ROCKER COVER	1
7	032740	PLATE	BAFFLE-BREATHER	1
8	032741	PLATE	BREATHER OIL BAFFLE	1
9	033652	SCREW	M 4 X 8	4
10	032640	HOSE	BREATHER	1
11	032633	BOLT	CYLINDER HEAD	11
12	032635	WASHER	FLAT-CYLINDER HEAD BOLTS	18
13	032634	BOLT	CYLINDER HEAD	7
14	033661	STUD	M 8 X 48 DIN 939	2
15	024370	CAP	WATER JET	4
16	024374	PLUG	EXPANSION 30MM DIN 443	4
17	015830	STUD	M 8 X 25 DIN 939	8
18	032631	GUIDE	VALVE	8
19	033625	PLUG	EXPANSION 12MM DIN 443	4
20	032630	HEAD	CYLINDER	1
21	033651	CAPSCREW	M10 X 1.25 X 20 JIS-FLANGE	2
22	030131	EYE	LIFTING	1
23	033624	PLUG	OIL GALLERY	1
24	022205	PLUG	M16 X 1.5 DIN 910	1
25	035109	SENDER	WATER TEMPERATURE	1
26	024672	BUSHING	HOUSING TO 1/8NPT FOR SENDER	1
27	033646	CAPSCREW	M 8 X 45 JIS-FLANGE	4
28	033653	CAPSCREW	M10 X 1.25 X 95 JIS-FLANGE	2
29	032636	HOUSING	LOWER THERMOSTAT	1
30	032637	GASKET	LOWER THERMOSTAT HOUSING	1
31	032641	GASKET	CYLINDER HEAD	1
32	024368	WASHER	WELCH	4
33	032632	INSERT	COMBUSTION	4
34	015828	STUD	M 8 X 22 DIN 939	2
35	024374	PLUG	EXPANSION 30MM DIN 443	4
36	024378	PLUG	EXPANSION 50MM DIN 443	1
37	033623	STUD	M10 X 1.25 X 16	1
38	024373	PLUG	EXPANSION 25MM DIN 443	3

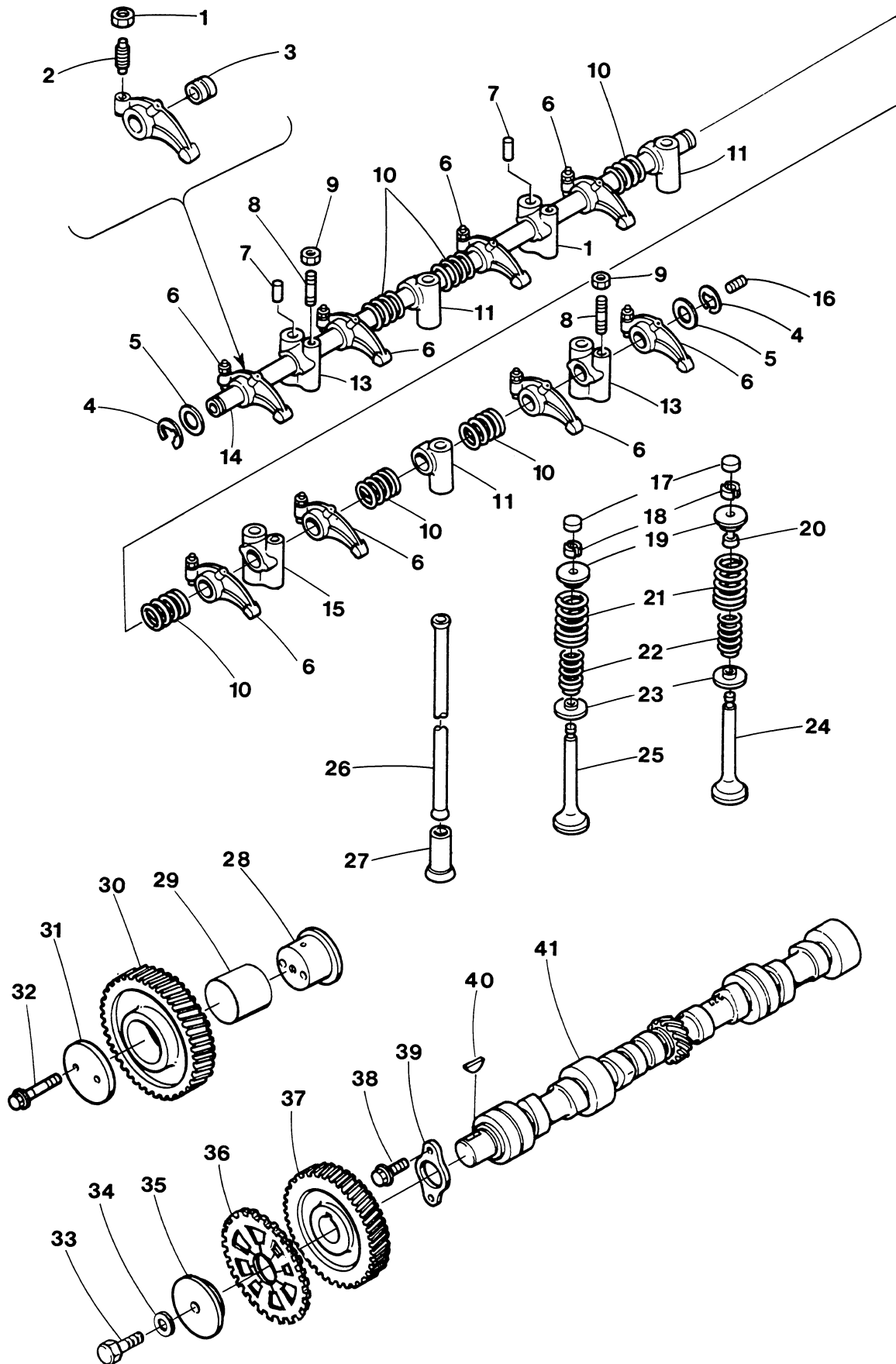
WESTERBEKE 82B - 25.0 BED - CRANKSHAFT - PISTONS



WESTERBEKE 82B - 25.0 BED - CRANKSHAFT - PISTONS

REF	PN	NAME	REMARKS	QUAN
1	032722	RING SET	STD-ENGINE SET	1
2	032721	PISTON	STD	4
3-1	032877	BEARING	SET CONNECTING ROD STD	1
3-2	032878	BEARING	SET CONNECTING ROD 0.25MM	1
3-3	032879	BEARING	SET CONNECTING ROD 0.50MM	1
3-4	032880	BEARING	SET CONNECTING ROD 0.76MM	1
4	032656	ROD	CONNECTING	4
5	032659	NUT	CONNECTING ROD BOLT	4
6	032657	BUSHING	CONNECTING ROD	4
7	032658	BOLT	CONNECTING ROD	8
8	013619	CAPSCREW	M 8 X 30 DIN 933	6
9	032662	BOLT	CRANKSHAFT PULLEY	1
10	032663	WASHER	CRANKSHAFT PULLEY	1
11	038786	PULLEY	CRANKSHAFT 2 GROOVE	1
12	038784	PULLEY	CRANKSHAFT 1 GROOVE	1
13	031004	SLINGER	CRANKSHAFT FRONT	1
14	031002	SPRING	FRICTION GEAR	1
15	032749	GEAR	FRICTION	1
16	032661	GEAR	CRANKSHAFT	1
17	032903	KEY	CRANKSHAFT GEAR	1
18	036205	CRANKSHAFT		1
19	033644	CAPSCREW	M 8 X 35 JIS-FLANGE	8
20	030974	FLANGE	OIL SEAL CRANKSHAFT REAR	1
21	030975	GASKET	CRANKSHAFT OIL SEAL FLANGE	1
22	030976	SEAL	OIL CRANKSHAFT REAR	1
23-1	032881	WASHER	THRUST SET STD	1
23-2	032882	WASHER	THRUST SET U/S	1
24-1	032717	BEARING	SET MAIN STD	1
24-2	032718	BEARING	SET MAIN 0.25MM	1
24-3	032719	BEARING	SET MAIN 0.50MM	1
24-4	032720	BEARING	SET MAIN 0.76MM	1
25	031786	LOCKWASHER	M 8 DIN 127	6
26	031787	WASHER	M 8 DIN 125	6

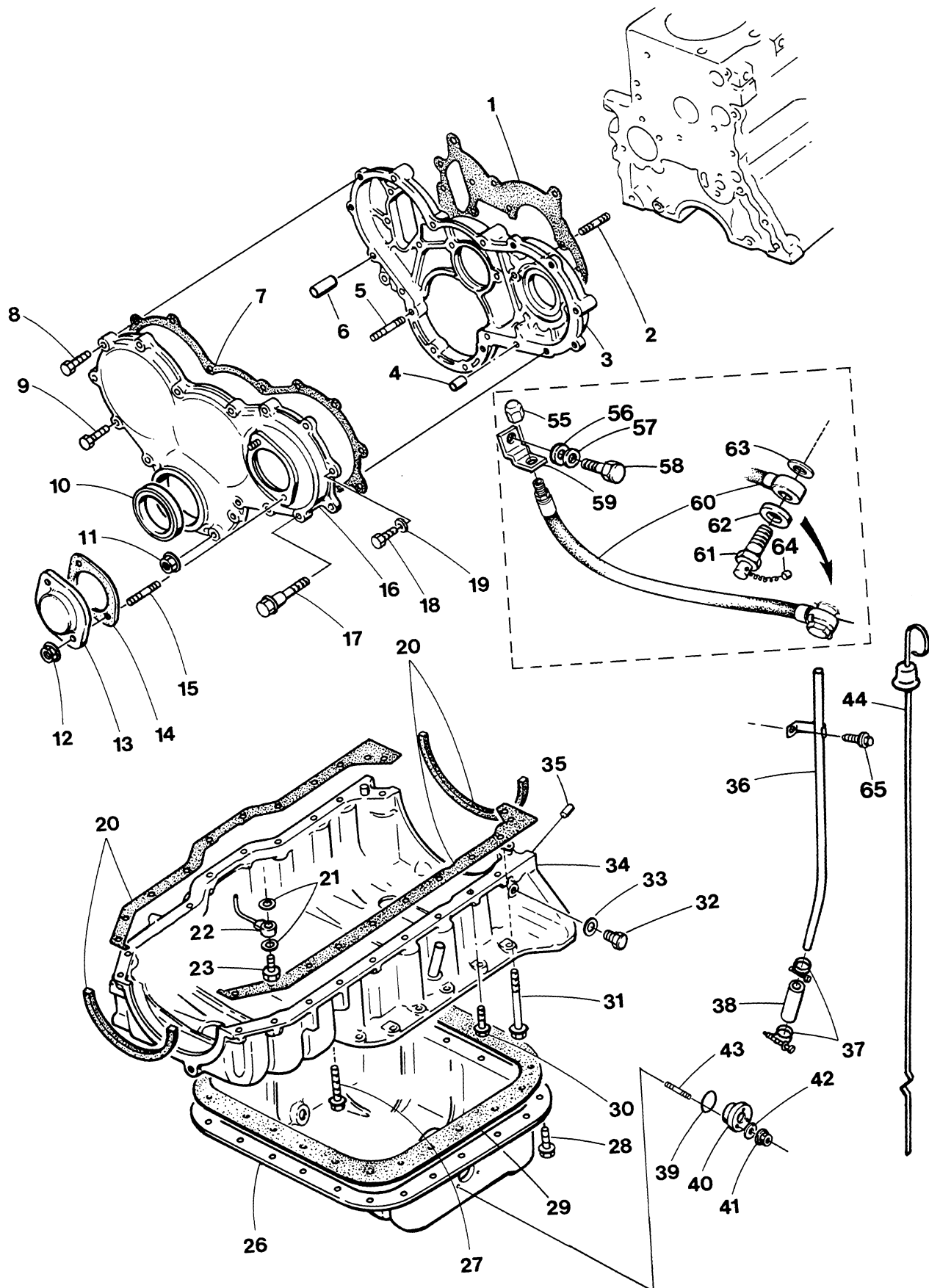
WESTERBEKE 82B - 25.0 BED - VALVES - ROCKER SHAFT - CAMSHAFT



WESTERBEKE 82B - 25.0 BED - VALVES - ROCKER SHAFT - CAMSHAFT

REF	PN	NAME	REMARKS	QUAN
1	032909	NUT		8
2	032676	SCREW	ROCKER ADJUSTING	8
3	024431	BUSHING	ROCKER	8
4	033658	CIRCLIP		2
5	024437	WASHER	ROCKER SHAFT	2
6	032675	ROCKER	INCLUDING BUSHING, SCREW, LOCKNUT	8
7	032384	PIN	TAPER	
8	033661	STUD	M 8 X 48 DIN 939	2
9	032682	NUT	PILLAR	2
10	024436	SPRING	ROCKER SHAFT	6
11	032678	BRACKET	ROCKER SHAFT	3
12	032679	BRACKET	ROCKER SHAFT	1
13	032680	BRACKET	ROCKER SHAFT	2
14	032677	SHAFT	ROCKER INCLUDING PLUGS	1
15	032681	BRACKET	ROCKER SHAFT	1
16	033659	PLUG	ROCKER SHAFT END	2
17	032672	CAP	VALVE STEM	8
18	032674	COTTER	VALVE	16
19	032669	SEAT	VALVE SPRING UPPER	8
20	033660	SEAL	VALVE STEM OIL	4
21	032670	SPRING	VALVE OUTER	8
22	024426	SPRING	VALVE INNER	8
23	032671	SEAT	VALVE SPRING LOWER	8
24	032668	VALVE	INTAKE	4
25	032673	VALVE	EXHAUST	4
26	032683	PUSHROD		8
27	030966	TAPPET		8
28	037208	HUB	IDLER GEAR	1
29	032810	BUSHING	IDLER GEAR	1
30	032684	GEAR	IDLER INCLUDING BUSHING	1
31	024443	PLATE	IDLER GEAR	1
32	033647	CAPSCREW	M 8 X 50 JIS-FLANGE	2
33	033715	CAPSCREW	M12 X 1.5 X 35 DIN 961	1
34	033662	WASHER	CAMSHAFT GEAR	1
35	031014	PLATE	LOCK CAMSHAFT GEAR	1
36	031015	GEAR	FRICTION	1
37	032685	GEAR	CAMSHAFT	1
38	033641	CAPSCREW	M 8 X 16 JIS-FLANGE	2
39	024446	PLATE	CAMSHAFT RETAINING	1
40	024445	KEY	WOODRUFF	1
41	032686	CAMSHAFT		1

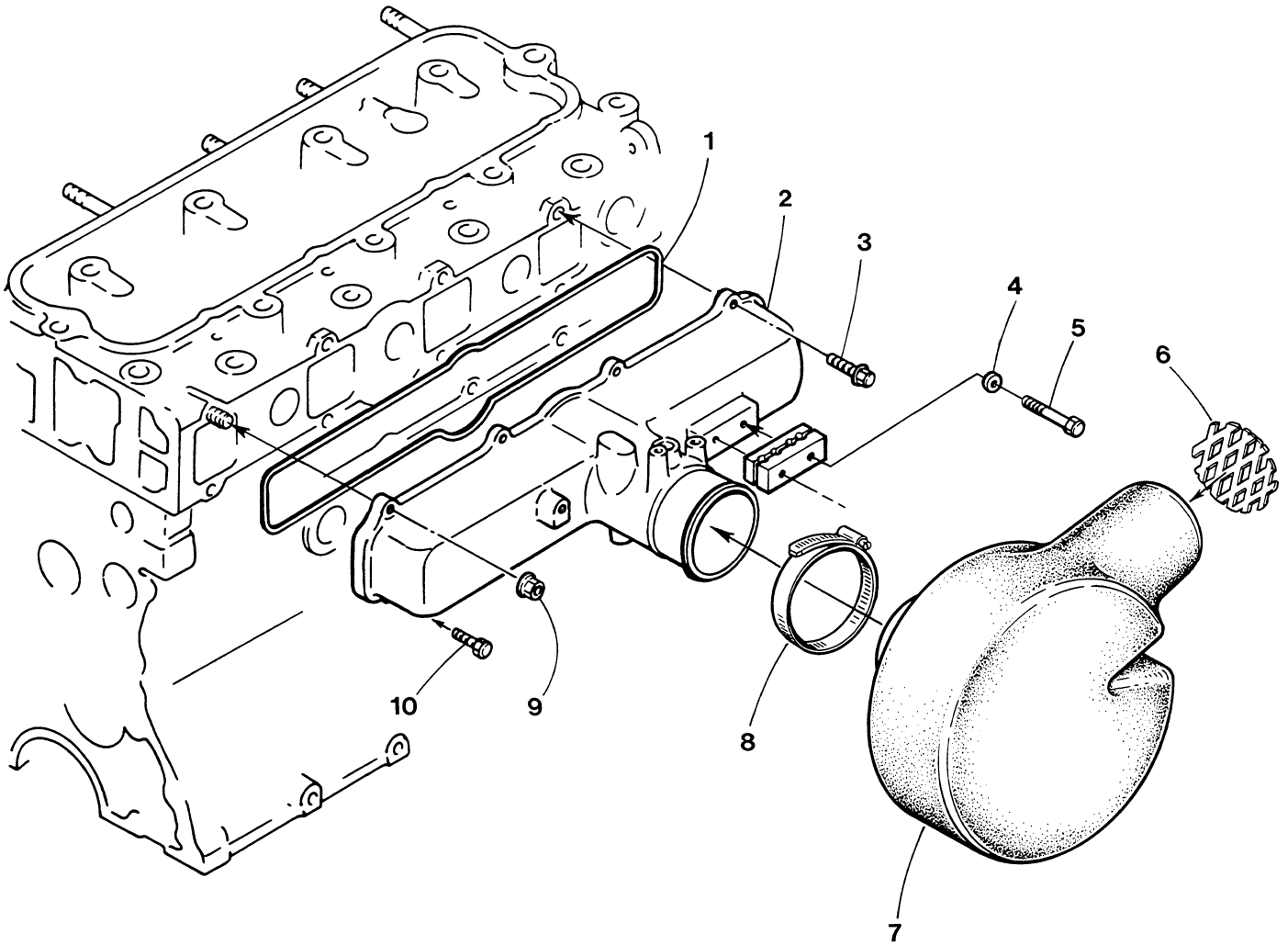
WESTERBEKE 82B - 25.0 BED - TIMING GEAR COVER - LUBE OIL SUMP



WESTERBEKE 82B - 25.0 BED - TIMING GEAR COVER - LUBE OIL SUMP

REF	PN	NAME	REMARKS	QUAN
1	032648	GASKET	BLOCK TO TIMING CASE	1
2	015830	STUD	M 8 X 25 DIN 939	2
3	032647	CASE	TIMING INCLUDING REF 2 THRU 6	1
4	033676	DOWEL	TUBULAR 12MM DIA X 12MM LG	1
5	015830	STUD	M 8 X 25 DIN 939	4
6	033677	DOWEL	TUBULAR 12MM DIA X 35MM LG	1
7	032652	GASKET	TIMING COVER TO CASE	1
8	033643	CAPSCREW	M 8 X 30 JIS-FLANGE	5
9	033649	CAPSCREW	M 8 X 65 JIS-FLANGE	1
10	032742	SEAL	OIL-TIMING COVER	1
11	033668	NUT	M 8 JIS-FLANGE	5
12	033668	NUT	M 8 JIS-FLANGE	2
13	024398	COVER	INJECTION PUMP GEAR	1
14	024399	GASKET	INJECTION PUMP GEAR COVER	1
15	033678	STUD	M 8 X 12 DIN 939	2
16	032651	COVER	TIMING	1
17	033648	CAPSCREW	M 8 X 55 JIS-FLANGE	7
18	032506	CAPSCREW	M 8 X 60 DIN 933	1
19	031787	WASHER	M 8 DIN 125	1
20	032739	GASKET SET	BLOCK TO LOWER BLOCK	1
21	032654	WASHER	OIL JET	8
22	032653	LINE	OIL JET	4
23	032655	VALVE	OIL JET	4
26	032644	SUMP	LUBE OIL	1
27	033642	CAPSCREW	M 8 X 25 JIS-FLANGE	9
28	033639	CAPSCREW	M 8 X 12 JIS-FLANGE	20
29	032716	GASKET	SUMP TO LOWER BLOCK	1
30	033647	CAPSCREW	M 8 X 50 JIS-FLANGE	4
31	033626	CAPSCREW	M 8 X 120 JIS-FLANGE	2
32	032905	PLUG		1
33	024498	WASHER		1
34	032897	BLOCK	LOWER INCLUDING REF 35	1
35		DOWEL	INCLUDED IN REF 34	2
36	032645	TUBE	DIPSTICK	1
37	017298	CLAMP	HOSE	2
38	032875	HOSE	DIPSTICK	1
39	033675	O-RING		1
40	033674	COVER		1
41	015812	NUT	M 6 DIN 934	3
42	031783	LOCKWASHER	M 6 DIN 127	3
43	033679	STUD	M 6 X 12 DIN 939	3
44	032646	DIPSTICK		1
55	024905	CAP	SUMP DRAIN HOSE	1
59	024922	BRACKET	SUMP DRAIN HOSE	1
60	030848	HOSE	SUMP DRAIN	1
61	036821	BOLT	BANJO-SUMP DRAIN	1
62	036493	WASHER	SUMP DRAIN BANJO	1
63	030291	WASHER	BANJO M14	1
64	037393	SEAL	LEAD WIRE	1

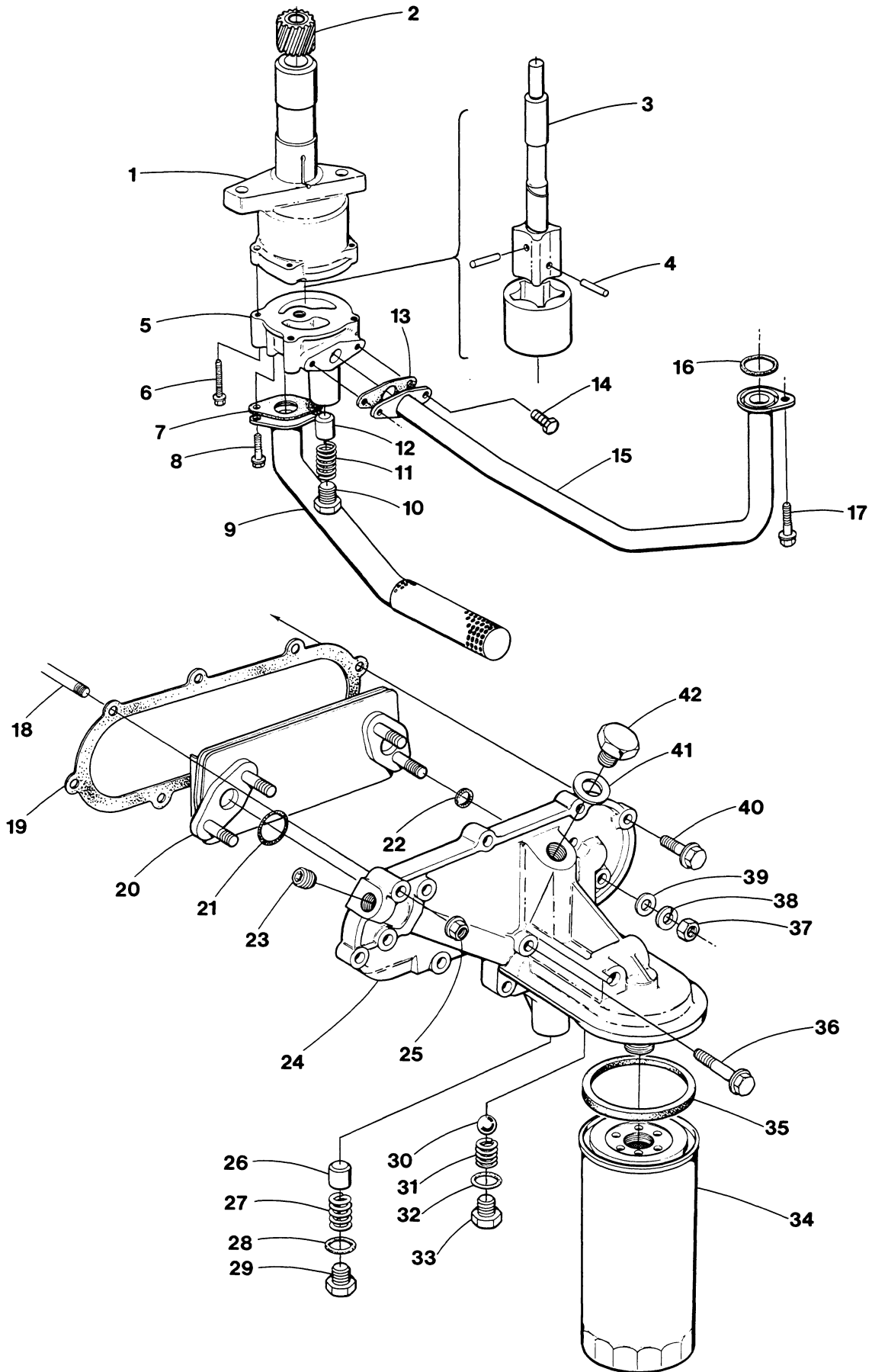
WESTERBEKE 82B - 25.0 BED - INTAKE MANIFOLD



WESTERBEKE 82B - 25.0 BED - INTAKE MANIFOLD

REF	PN	NAME	REMARKS	QUAN
1	032687	GASKET	INTAKE MANIFOLD TO HEAD	1
2	033707	MANIFOLD	INTAKE	1
3	033642	CAPSCREW	M 8 X 25 JIS-FLANGE	2
4	031780	LOCKWASHER	M 5 DIN 127	2
5	018248	CAPSCREW	M 5 X 25 DIN 933	2
6	037641	SCREEN	AIR INTAKE SILENCER	1
7-1	037449	SILENCER	AIR INTAKE INCLUDING REF 6-PROPULSION	1
7-2	037450	SILENCER	AIR INTAKE INCLUDING REF 6-GENSET	1
8	011505	CLAMP	HOSE 48	1
9	033668	NUT	M 8 JIS-FLANGE	2
10	033654	CAPSCREW	M 8 X 20 JIS-FLANGE	2

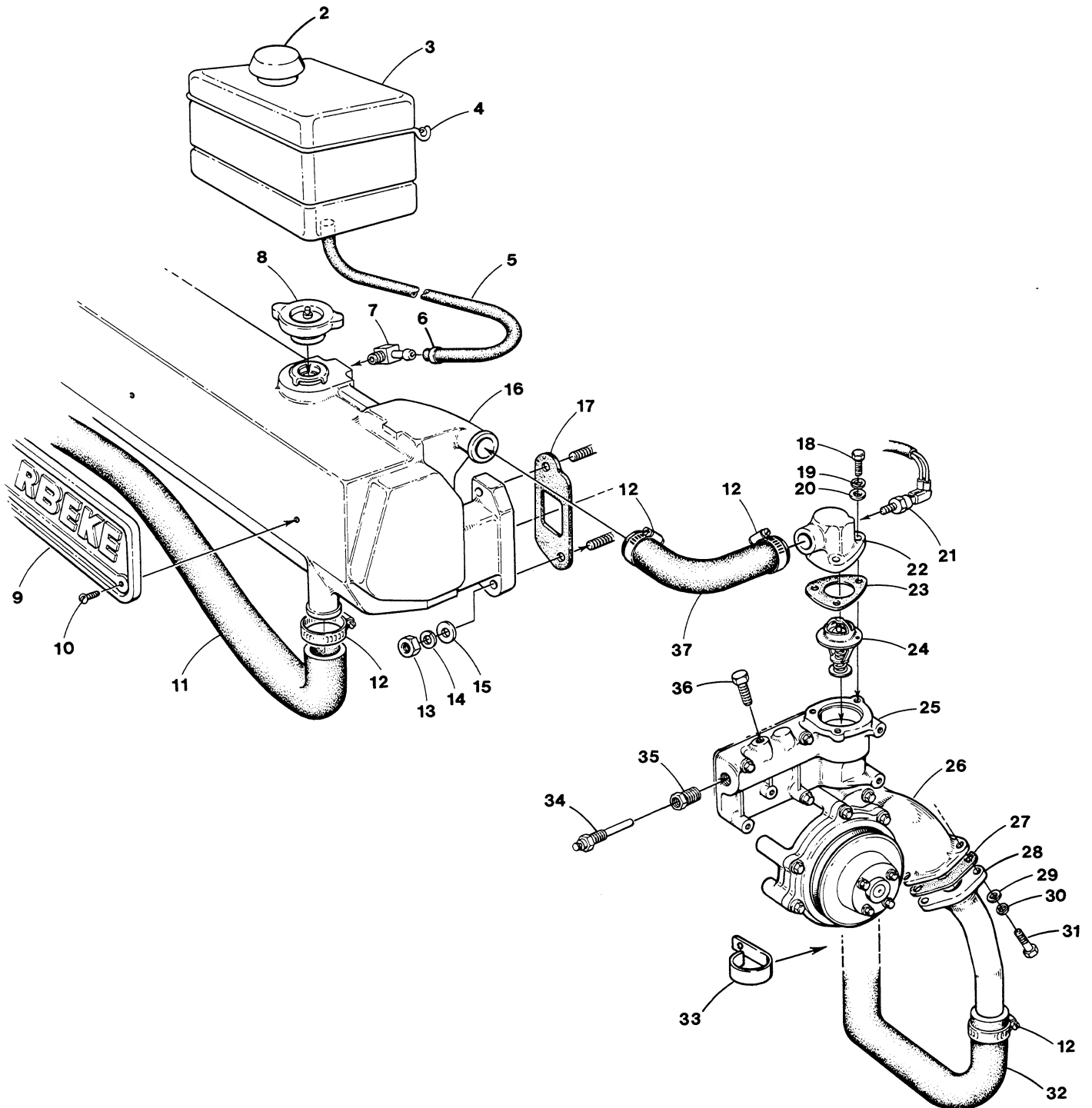
WESTERBEKE 82B - 25.0 BED - LUBE OIL FILTER AND PUMP



WESTERBEKE 82B - 25.0 BED - LUBE OIL FILTER AND PUMP

REF	PN	NAME	REMARKS	QUAN
1	032699	PUMP	LUBE OIL	1
2	032812	GEAR	OIL PUMP DRIVE	1
3	032701	SHAFT	PUMP INCLUDING ROTORS	1
4	024468	PIN		2
5	032700	COVER	OIL PUMP INCLUDING RELIEF VALVE	1
6	033671	CAPSCREW	M 6 X 35 JIS-FLANGE	4
7	024471	GASKET	STRAINER TO PUMP	1
8	033669	CAPSCREW	M 6 X 16 JIS-FLANGE	2
9	032703	STRAINER	OIL PICKUP	1
10	032747	PLUG	OIL RELIEF VALVE	1
11	032702	SPRING	OIL RELIEF VALVE	1
12	024470	PLUNGER	OIL RELIEF VALVE	1
13	024472	GASKET	OIL LINE	1
14	033670	CAPSCREW	M 6 X 25 JIS-FLANGE	2
15	032704	LINE	OIL PUMP TO BLOCK	1
16	032907	O-RING	OIL LINE TO BLOCK	1
17	033654	CAPSCREW	M 8 X 20 JIS-FLANGE	1
18	031281	STUD	M 8 X 40 DIN 939	2
19	032705	GASKET	ADAPTER/COOLER TO BLOCK	1
20	032714	COOLER	LUBE OIL	1
21	032728	O-RING	COOLER TO FILTER ADAPTER	2
22	032727	O-RING	COOLER STUD TO FILTER ADAPTER	4
23	024903	PLUG	3/8-19 BSPT DIN 906	1
24	032730	ADAPTER	LUBE OIL FILTER TO BLOCK	1
25	033668	NUT	M 8 JIS-FLANGE	2
26	024470	PLUNGER		1
27	032732	SPRING		1
28	032861	O-RING		1
29	032731	PLUG		1
30	032733	BALL	STEEL	1
31	032734	SPRING		1
32	032735	O-RING		1
33	032736	PLUG		1
34	032874	FILTER	LUBE OIL INCLUDING GASKET	1
35	032873	GASKET	LUBE OIL FILTER	1
36	033645	CAPSCREW	M 8 X 40 JIS-FLANGE	1
37	032724	NUT	M10 X 1.25 JIS	4
38	019262	LOCKWASHER	M10 DIN 127	4
39	031789	WASHER	M10 DIN 125	4
40	033642	CAPSCREW	M 8 X 25 JIS-FLANGE	7
41	033673	WASHER		1
42	033672	PLUG		1

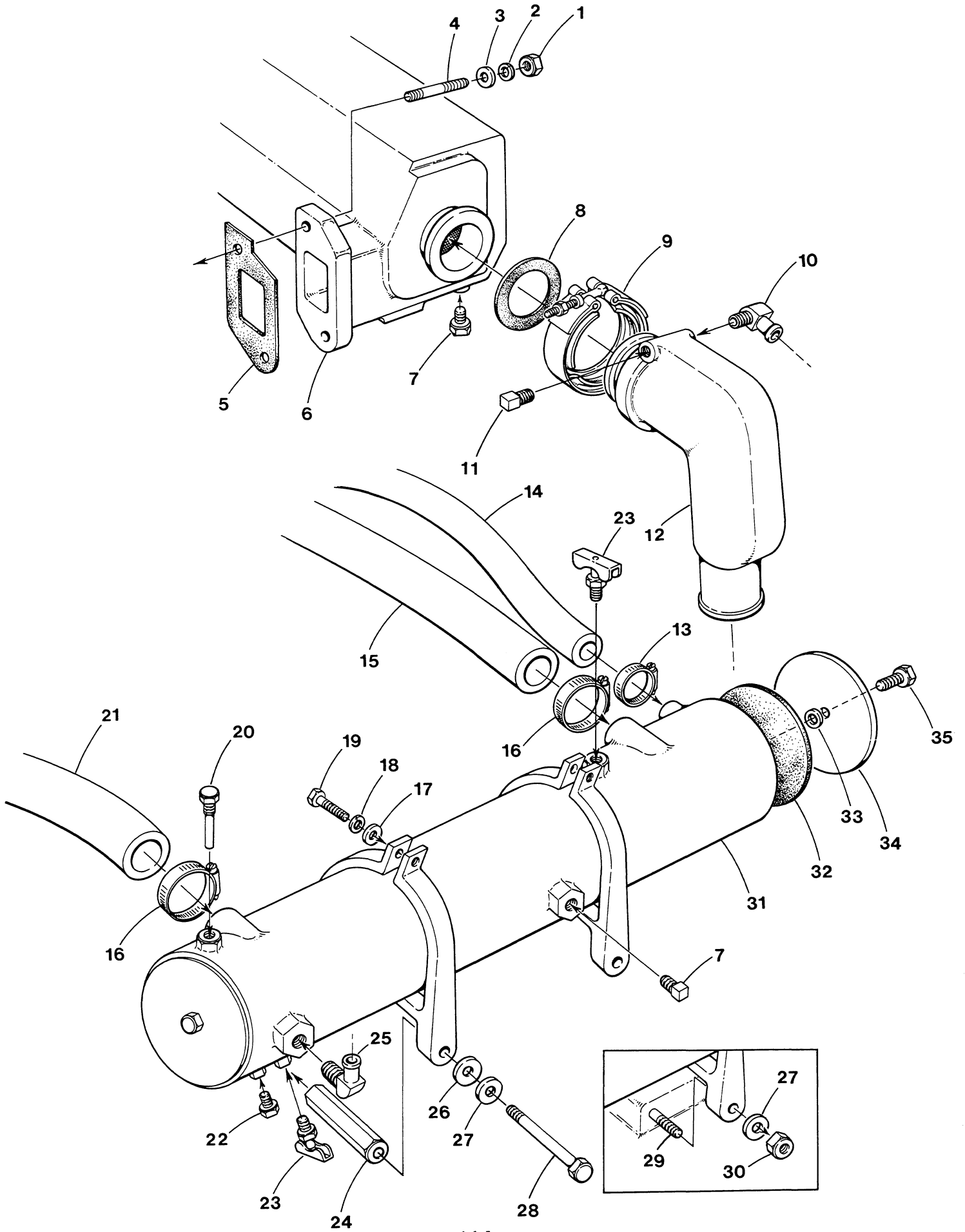
WESTERBEKE 82B - 25.0 BED - FRESH WATER COOLING SYSTEM - FRONT



WESTERBEKE 82B - 25.0 BED - FRESH WATER COOLING SYSTEM - FRONT

REF	PN	NAME	REMARKS	QUAN
1	024977	KIT	COOLANT RECOVERY TANK INCL REF 2 THRU 6	1
2	024858	CAP	COOLANT RECOVERY TANK	1
3	024704	TANK	COOLANT RECOVERY	1
4	024786	STRAP	COOLANT RECOVERY TANK MOUNTING	1
5	024637	TUBING	MANIFOLD TO TANK - INCHES REQUIRED	60
6	024906	CLAMP	HOSE	2
7	024907	ELBOW	MANIFOLD TO RECOVERY TANK HOSE	1
8	024306	CAP	PRESSURE	1
9	035411	NAMEPLATE		1
10	031935	SCREW	8-32 X 1/4 SS OVAL HEAD	2
11	037747	HOSE	MANIFOLD TO EXCHANGER	1
12	038193	CLAMP	HOSE 28	4
13	018242	NUT	M 8 DIN 934	8
14	031786	LOCKWASHER	M 8 DIN 127	8
15	031787	WASHER	M 8 DIN 125	8
16	037305	MANIFOLD	EXHAUST INCLUDING CAP	1
17	037745	GASKET	EXHAUST MANIFOLD TO HEAD	4
18	013630	CAPSCREW	M 8 X 25 DIN 933	3
19	031786	LOCKWASHER	M 8 DIN 127	3
20	031787	WASHER	M 8 DIN 125	3
21-1	030125	SWITCH	WATER TEMPERATURE-PROPULSION	1
21-2	039550	SWITCH	WATER TEMPERATURE-GENSET	1
22	037622	HOUSING	THERMOSTAT	1
23	033373	GASKET	THERMOSTAT	1
24	024690	THERMOSTAT		1
25	032636	HOUSING	LOWER THERMOSTAT	1
26		PUMP	FRESH WATER - REFER TO SEPARATE PAGE	1
27	032707	GASKET	ELBOW TO PUMP	1
28	032706	ELBOW	FRESH WATER PUMP CONNECTION	1
29	031787	WASHER	M 8 DIN 125	3
30	031786	LOCKWASHER	M 8 DIN 127	3
31	017196	CAPSCREW	M 8 X 20 DIN 933	3
32	038027	HOSE	EXCHANGER TO FRESH WATER PUMP	1
33	039949	CLAMP	SUPPORT HOSE	2
34	035109	SENDER	WATER TEMPERATURE	1
35	024672	BUSHING	HOUSING TO 1/8NPT FOR SENDER	1
36	022205	PLUG	M16 X 1.5 DIN 910	1
37	037629	HOSE	THERMOSTAT TO MANIFOLD	1

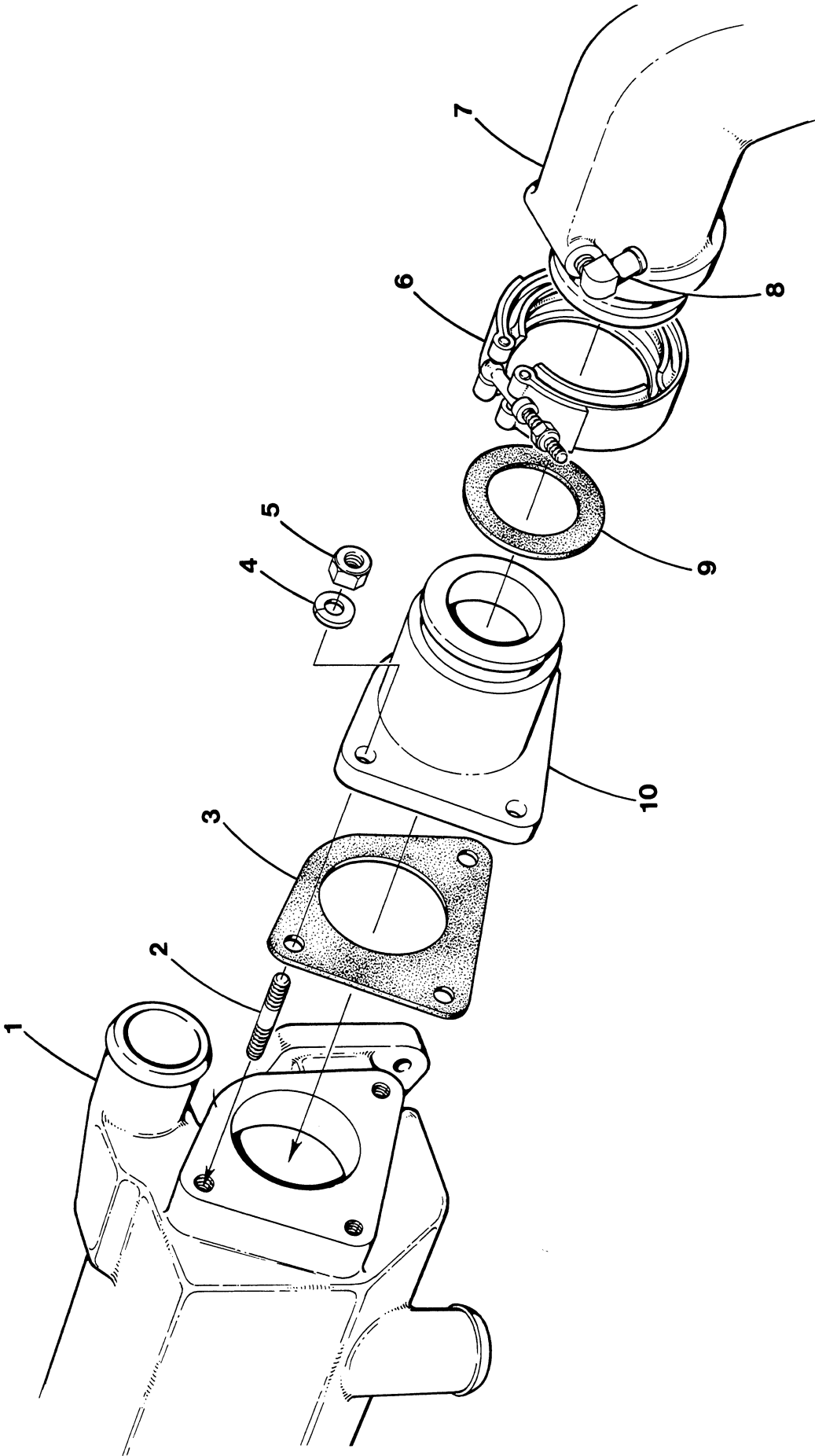
WESTERBEKE 82B - 25.0 BED - COOLING SYSTEM - REAR



WESTERBEKE 82B - 25.0 BED - COOLING SYSTEM - REAR

REF	PN	NAME	REMARKS	QUAN
1	018242	NUT	M 8 DIN 934	8
2	031786	LOCKWASHER	M 8 DIN 127	8
3	031787	WASHER	M 8 DIN 125	8
4	015831	STUD	M 8 X 32 DIN 939	8
5	037745	GASKET	EXHAUST MANIFOLD TO HEAD	4
6	037305	MANIFOLD	EXHAUST	1
7	035747	PLUG	1/2NPT BRASS SQUARE HEAD	2
8	038221	GASKET	EXHAUST ELBOW TO MANIFOLD	1
9	038153	CLAMP	EXHAUST ELBOW TO MANIFOLD	1
10	036614	ELBOW	3/4NPT X 1" HOSE	1
11	036849	PLUG	3/4NPT BRASS SQUARE HEAD	1
12	038760	ELBOW KIT	WATER INJECTED INCLUDING REF 8 THRU 12	1
13	011405	CLAMP	HOSE 16	2
14	011779	HOSE	1" ID WIRE INSERTED - INCHES REQUIRED	26
15	037747	HOSE	MANIFOLD TO EXCHANGER	1
16	038193	CLAMP	HOSE 28	2
17	031753	WASHER	1/4 FLAT	2
18	031752	LOCKWASHER	1/4	2
19	031505	CAPSCREW	1/4NC X 1	2
20	011885	ZINC		1
21	038027	HOSE	EXCHANGER TO FRESH WATER PUMP	1
22	019369	PLUG	1/8NPT HEX HEAD BRASS	1
23	011471	PETCOCK	1/8NPT	2
24	039076	SPACER	EXCHANGER MOUNT-GENSET	2
25	036614	ELBOW	3/4NPT X 1" HOSE	1
26	031787	WASHER	M 8 DIN 125	2
27	031786	LOCKWASHER	M 8 DIN 127	2
28	013619	CAPSCREW	M 8 X 30 DIN 933 GENSET	2
29	015830	STUD	M 8 X 25 DIN 939 PROPULSION	2
30	018242	NUT	M 8 DIN 934 PROPULSION	2
31	038300	EXCHANGER	HEAT	1
32	022851	GASKET	EXCHANGER END COVER	2
33	019321	O-RING	EXCHANGER END COVER	2
34	022850	COVER	EXCHANGER END	2
35	022852	CAPSCREW	3/8NC X 1/2 BRASS	2

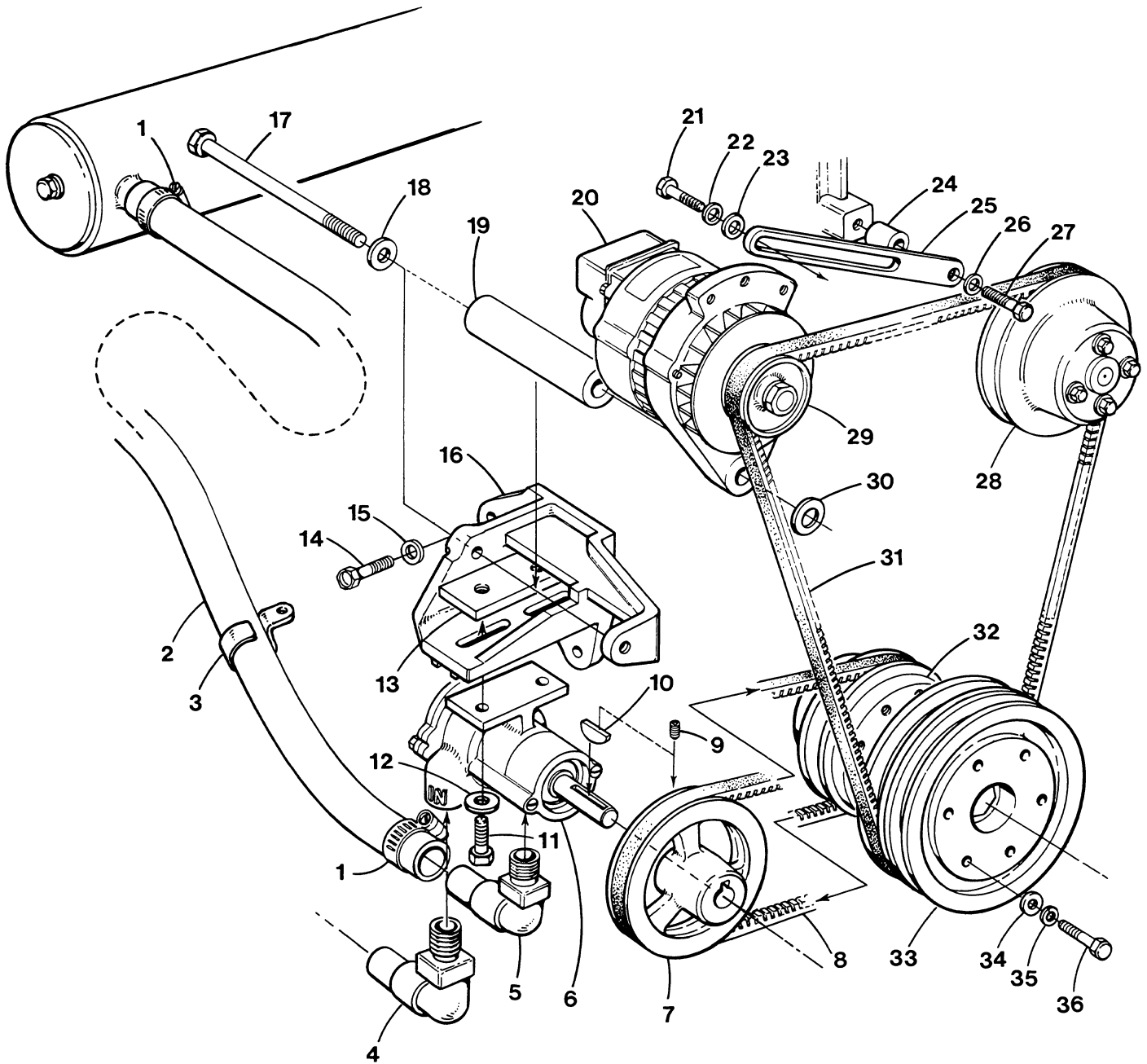
WESTERBEKE 82B FOUR - FRONT OPENING EXHAUST MANIFOLD



WESTERBEKE 82B FOUR - FRONT OPENING EXHAUST MANIFOLD

REF	PN	NAME	REMARKS	QUAN
1	039628	MANIFOLD	FRONT EXHAUST	1
2	037821	STUD	M10 X 30 DIN 939	3
3	037347	GASKET	MANIFOLD TO FLANGE	1
4	019262	LOCKWASHER	M10 DIN 127	3
5	015887	NUT	M10 DIN 934	3
6	038153	CLAMP	EXHAUST ELBOW TO FLANGE	1
7	039016	ELBOW KIT	WATER INJECTED EXHAUST INCL REF 6,7,8,9	1
8	036614	ELBOW	3/4NPT X 1" HOSE	1
9	038221	GASKET	EXHAUST ELBOW TO FLANGE	1
10	038862	FLANGE	MANIFOLD TO EXHAUST ELBOW	1

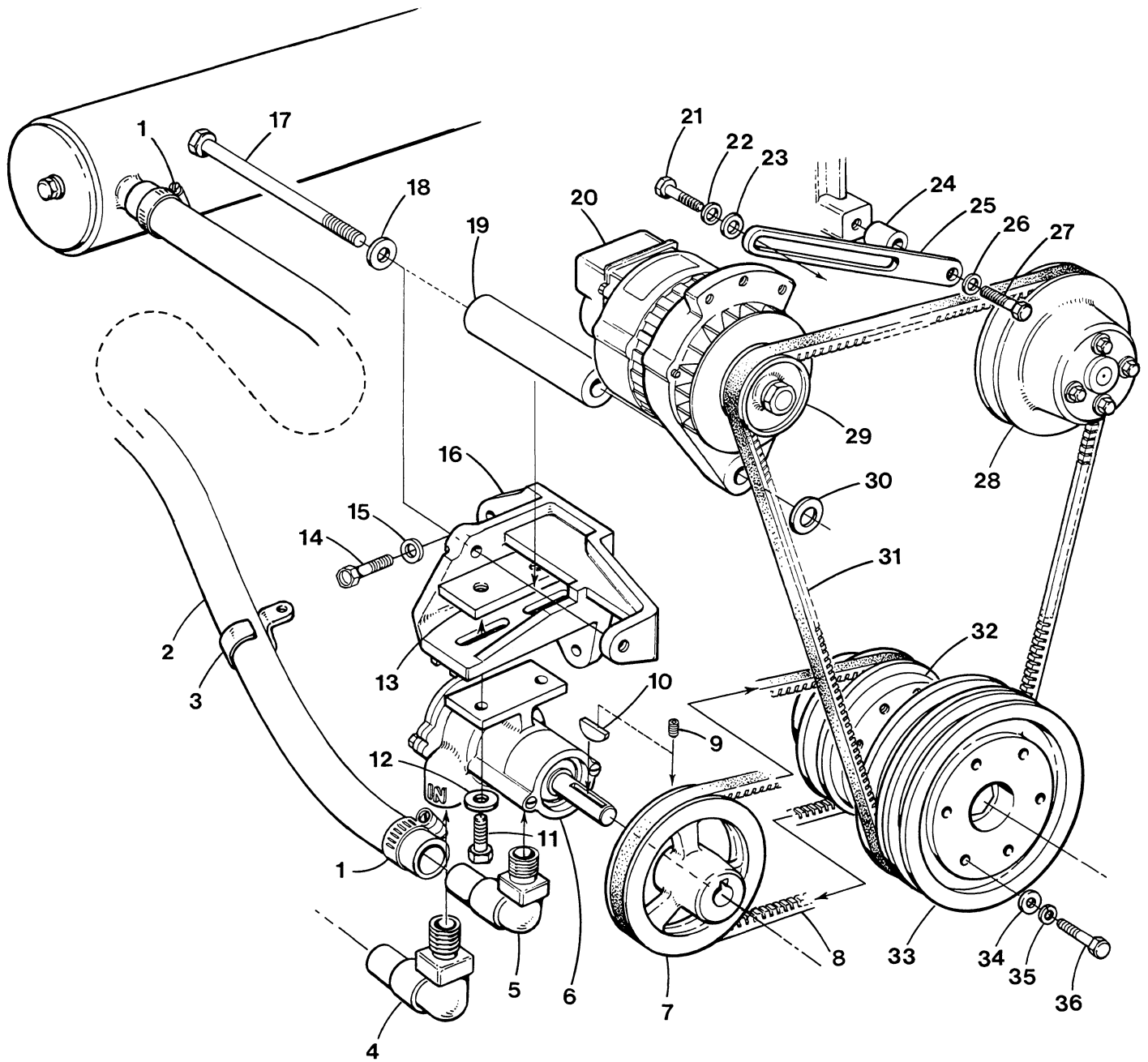
WESTERBEKE 82B - 25.0 BED - SEA WATER SYSTEM AND ALTERNATOR



WESTERBEKE 82B - 25.0 BED - SEA WATER SYSTEM AND ALTERNATOR

REF	PN	NAME	REMARKS	QUAN
1	011405	CLAMP	HOSE 16	2
2	011779	HOSE	1" ID WIRE INSERTED - INCHES REQUIRED	26
3	013741	CLAMP	SUPPORT HOSE-PROPULSION	1
4	036614	ELBOW	3/4NPT X 1" HOSE	1
5-1	036622	NIPPLE	3/4NPT X 1" HOSE - PROPULSION	1
5-2	036614	ELBOW	3/4NPT X 1" HOSE - GENSET	1
6	038445	PUMP	SEA WATER	1
7-1	011371	PULLEY	SEA WATER PUMP DRIVE - PROPULSION	1
7-2	038865	PULLEY	SEA WATER PUMP DRIVE - GENSET	1
8-1	013810	BELT	SEA WATER PUMP - PROPULSION	1
8-2	031152	BELT	SEA WATER PUMP - GENSET	1
9	011357	SETSCREW	PULLEY RETAINING	1
10	022392	KEY	SEA WATER PUMP SHAFT TO PULLEY	1
11	031631	CAPSCREW	3/8NF X 1-1/4	2
12-1	031764	LOCKWASHER	3/8	2
12-2	031765	WASHER	3/8 FLAT	4
13	038435	PLATE	SEA WATER PUMP ADJUSTING	1
14	031083	CAPSCREW	M10 X 1.25 X 30 JIS	3
15	019262	LOCKWASHER	M10 DIN 127	3
16-1	038512	BRACKET	SEA WATER PUMP & 50 AMP ALTERNATOR	1
16-2	038944	BRACKET	SEA WATER PUMP & 135-190 AMP ALTERNATOR	1
17-1	031722	CAPSCREW	1/2NC X 5-1/4 51AMP ALTERNATOR	1
17-2	031622	CAPSCREW	3/8NC X 5-1/4 135-190 AMP ALTERNATOR	1
18-1	031776	LOCKWASHER	1/2 51 AMP ALTERNATOR	1
18-2	031764	LOCKWASHER	3/8 135-190 AMP ALTERNATOR	1
19-1	038111	SPACER	51 AMP ALTERNATOR	1
19-2	030737	SPACER	135 AMP ALTERNATOR	1
19-3	023413	SPACER	135 AMP ALTERNATOR	2
20-1	039790	ALTERNATOR	50 AMP 12 VDC WITH REGULATOR	1
20-2	038792	ALTERNATOR	135 AMP 12 VDC	1
20-3	038891	REGULATOR	135 AMP ALTERNATOR	1
20-4	038793	ALTERNATOR	160 AMP 12 VDC	1
20-5	038794	ALTERNATOR	190 AMP 12 VDC	1
20-6	038892	REGULATOR	160-190 AMP ALTERNATOR	1
21	031555	CAPSCREW	5/16NC X 1	1
22	031758	LOCKWASHER	5/16	1
23	033381	WASHER	ADJUSTING STRAP	1
24	021885	SPACER		1
25	033064	STRAP	ALTERNATOR ADJUSTING	1
26	031786	LOCKWASHER	M 8 DIN 127	1
27	018812	CAPSCREW	M 8 X 70 DIN 931	1

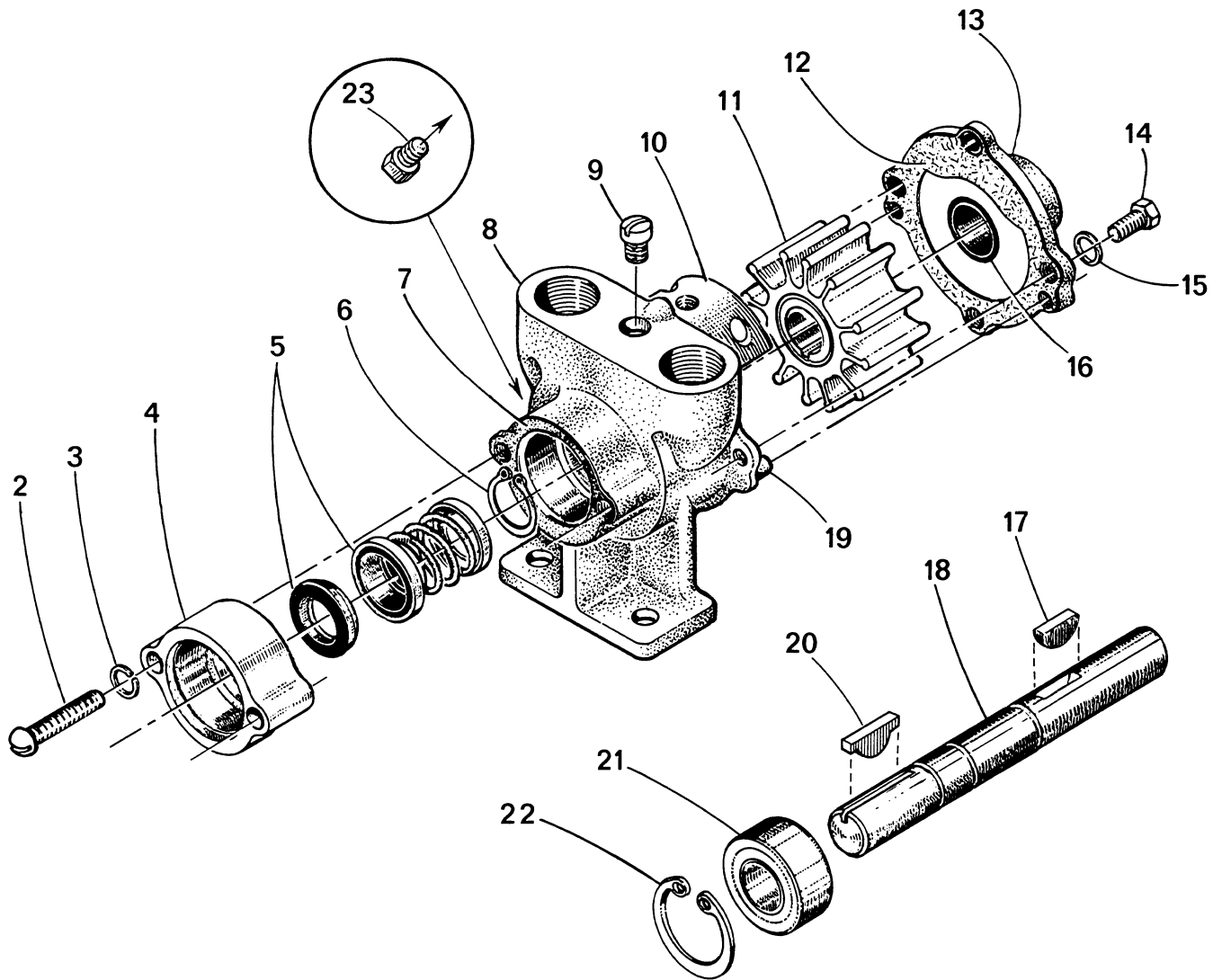
WESTERBEKE 82B - 25.0 BED - SEA WATER SYSTEM AND ALTERNATOR



WESTERBERKE 82B - 25.0 BED - SEA WATER SYSTEM AND ALTERNATOR

REF	PN	NAME	REMARKS	QUAN
28-1	031037	PULLEY	FRESH WATER PUMP 1 GROOVE	1
28-2	031110	PULLEY	FRESH WATER PUMP 2 GROOVE	1
29-1	039354	PULLEY	50 AMP ALTERNATOR	1
29-2	038440	PULLEY	135-190 AMP ALTERNATOR	1
30	030168	SPACER	51 AMP ALTERNATOR	3
31-1	039181	BELT	50 AMP ALTERNATOR & FRESH WATER PUMP	1
31-2	036457	PULLEY	135 AMP ALTERNATOR & FRESH WATER PUMP	2
32	038784	PULLEY	CRANKSHAFT 1 GROOVE	1
33	038786	PULLEY	CRANKSHAFT 2 GROOVE	1
34	031787	WASHER	M 8 DIN 125	6
35	031786	LOCKWASHER	M 8 DIN 127	6
36	013619	CAPSCREW	M 8 X 30 DIN 933	6

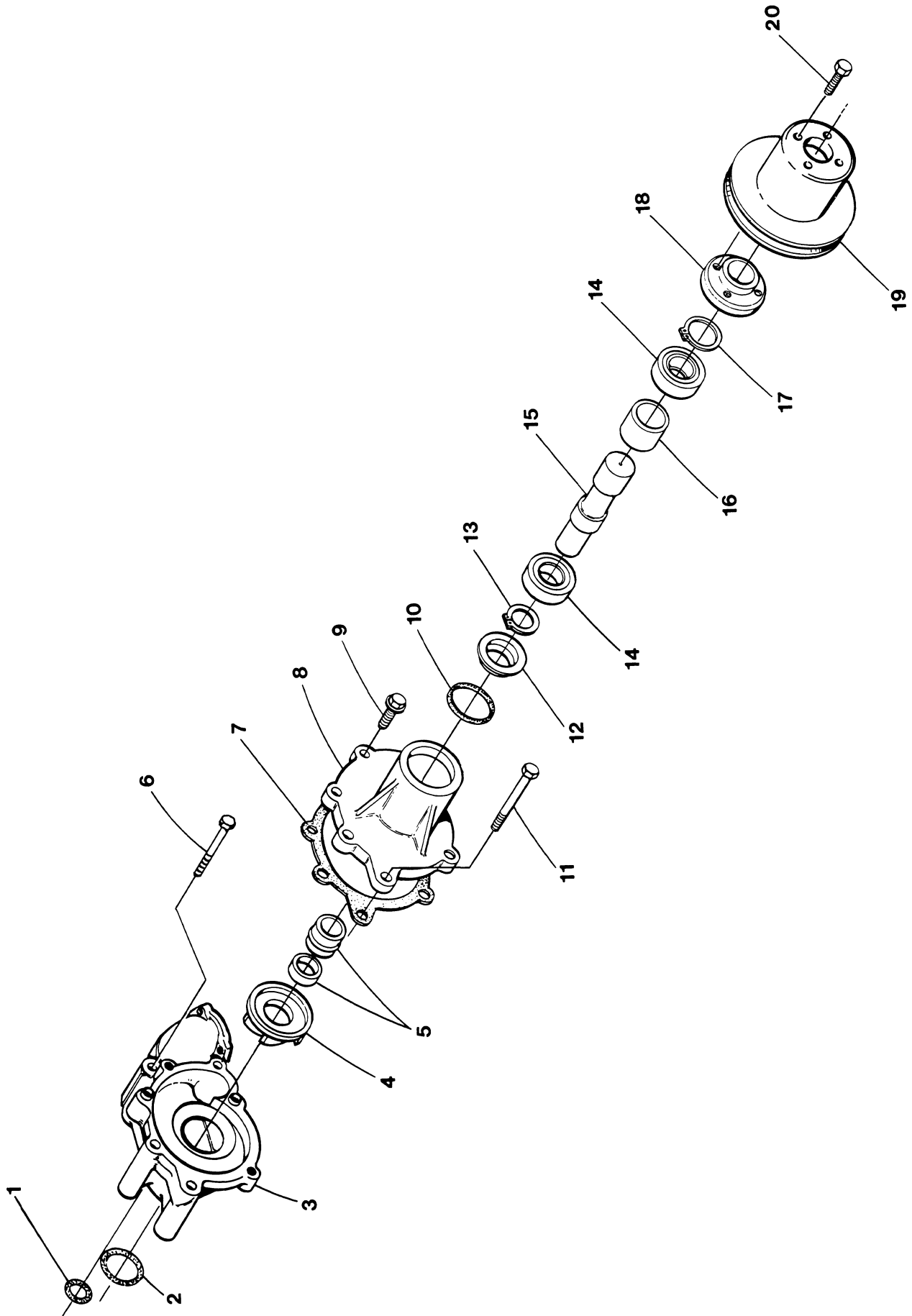
WESTERBEKE 82B - 25.0 BED - SEA WATER PUMP



WESTERBEKE 82B - 25.0 BED - SEA WATER PUMP

REF	PN	NAME	REMARKS	QUAN
1	038445	PUMP	SEA WATER	1
2	018147	SCREW	BEARING HOUSING TO PUMP	2
3	032183	LOCKWASHER		2
4	018180	HOUSING	BEARING	1
5	014774	SEAL	INCLUDING SEAT	1
6	018145	RING	RETAINING	3
7	018154	GASKET	BEARING HOUSING TO PUMP HOUSING	1
8	039867	HOUSING	PUMP BODY	1
9	018151	SCREW	PUMP HOUSING TO CAM	1
10	018152	CAM		1
11	011907	IMPELLER	INCLUDING GASKET	1
12	011419	GASKET	IMPELLER COVER	1
13	018153	COVER	IMPELLER INCLUDING BUSHING	1
14	018143	CAPSCREW		4
15	032183	LOCKWASHER		4
16	018149	BUSHING	SHAFT END	1
17	018148	KEY	IMPELLER TO SHAFT	1
18	018164	SHAFT		1
19	018142	DOWEL	COVER TO PUMP HOUSING	2
20	022392	KEY	SEA WATER PUMP SHAFT TO PULLEY	1
21	018144	BEARING		1
22	018146	RING	RETAINING	1
23	019369	PLUG	1/8NPT HEX HEAD BRASS	1
24	033329	KIT	PUMP REPAIR INCL 6,7,9,10,11,12,16,21,22	1

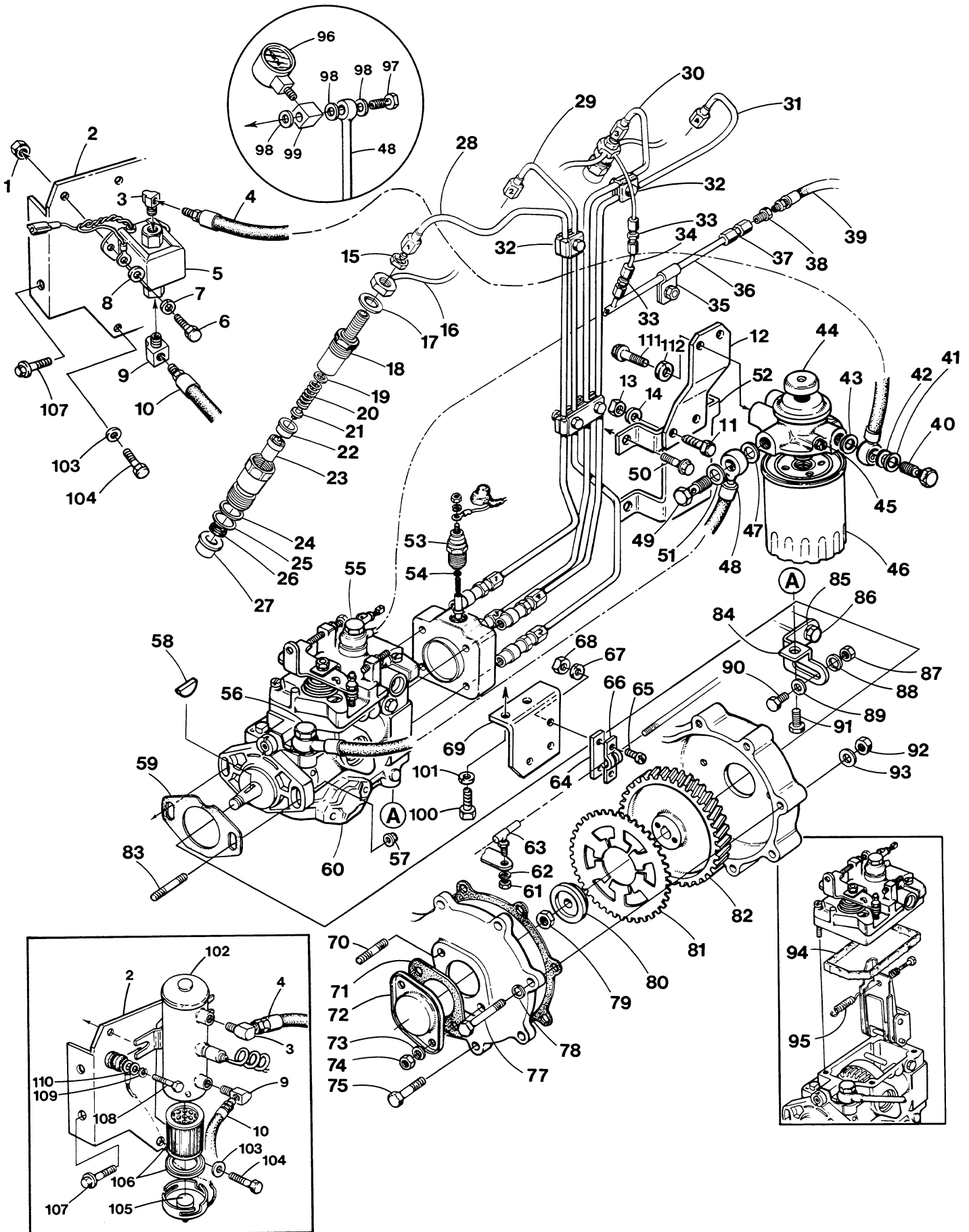
WESTERBEKE 82B - 25.0 BED - FRESH WATER PUMP



WESTERBEKE 82B - 25.0 BED - FRESH WATER PUMP

REF	PN	NAME	REMARKS	QUAN
1	032708	GASKET	PUMP TO BLOCK-SMALL	1
2	032709	GASKET	PUMP TO BLOCK-LARGE	1
3	032710	BODY	FRESH WATER PUMP	1
4		IMPELLER	SEE REF 8	1
5	024480	SEAL		1
6	033648	CAPSCREW	M 8 X 55 JIS-FLANGE	1
7	032712	GASKET	HOUSING TO BODY	1
8	032711	HOUSING	BEARING ASSEMBLY	1
9	033642	CAPSCREW	M 8 X 25 JIS-FLANGE	3
10		SLINGER	SEE REF 8	1
11	033709	CAPSCREW	M 8 X 80 JIS-FLANGE	4
12	024479	PLATE	DUST SEAL	1
13	024414	CIRCLIP		1
14	024568	BEARING		2
15		SHAFT	SEE REF 8	1
16	024477	SPACER	BEARING	1
17	024413	CIRCLIP		1
18	032713	FLANGE	WATER PUMP PULLEY	1
19	031037	PULLEY	1 GROOVE	1
20	033708	CAPSCREW	M 8 X 10 JIS-FLANGE	4

WESTERBEKE 82B FOUR - 25.0 BED - FUEL SYSTEM



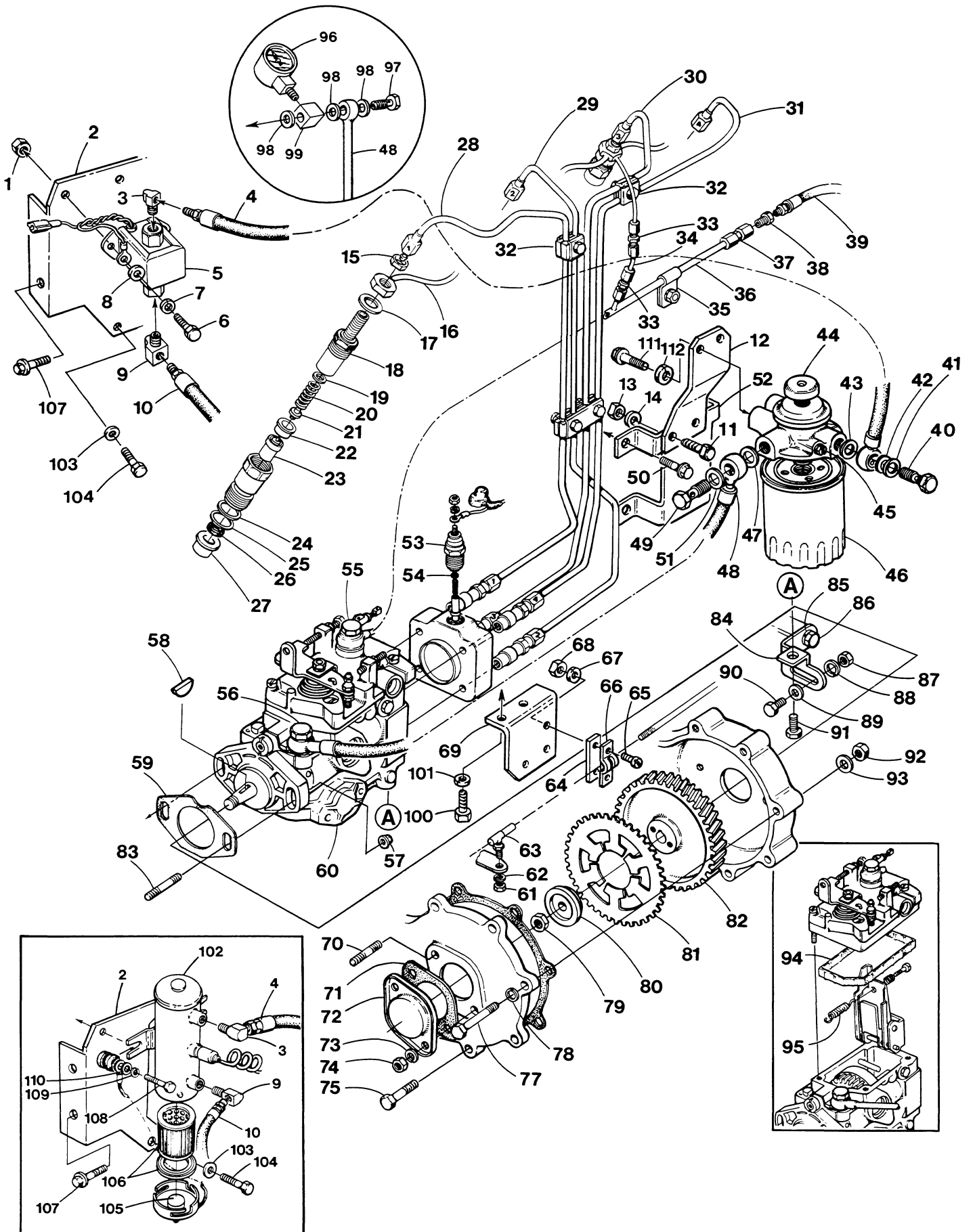
WESTERBEKE 82B - 25.0 BED - FUEL SYSTEM

REF	PN	NAME	REMARKS	QUAN
1	015812	NUT	M 6 DIN 934	2
2	033241	BRACKET	FUEL LIFT PUMP	1
3	022513	ELBOW	ADAPTER	1
4	039151	HOSE	LIFT PUMP TO FILTER INCL REF 3	1
5	039275	PUMP	FUEL LIFT 12VDC	1
6	013590	CAPSCREW	M 6 X 30 DIN 933	2
7	031783	LOCKWASHER	M 6 DIN 127	2
8	031784	WASHER	M 6 DIN 125	2
9	013340	ELBOW	1/8NPT STREET 90 BRASS	1
10	030025	HOSE	FUEL SUPPLY	1
11-1	013629	CAPSCREW	M10 X 25 DIN 933 - OFFSET BRACKET	2
11-2	039218	CAPSCREW	M10 X 25 LOW HEAD - FLAT BRACKET	2
12	038898	BRACKET	FUEL FILTER	1
13	015887	NUT	M10 DIN 934	2
14	019262	LOCKWASHER	M10 DIN 127	2
15	031050	NUT	LINE TO INJECTOR	4
16	032745	LINE	INJECTOR RETURN	1
17	031021	GASKET	RETURN LINE TO INJECTOR	4
18	032743	INJECTOR	ASSEMBLY	4
19		SHIM	SEE REF 18	
20		SPRING	SEE REF 18	
21		PUSHROD	SEE REF 18	
22		SEAT	NOZZLE SPRING-SEE REF 18	
23	032744	NOZZLE	INJECTOR	4
24	024454	WASHER	INJECTOR NOZZLE	4
25	014464	WASHER	INJECTOR	4
26	030970	WASHER		4
27	032871	SHIELD	HEAT	4
28	032688	LINE	INJECTOR 1	1
29	032689	LINE	INJECTOR 2	1
30	032690	LINE	INJECTOR 3	1
31	032691	LINE	INJECTOR 4	1
32-1	038910	CLAMP	INJECTOR LINES	2
32-2	038911	CLAMP	INJECTOR LINES - TAPPED THREAD	2
32-3	038914	CAPSCREW	M 5 X 25 DIN 84A PHILLIPS HEAD	2
32-4	031780	LOCKWASHER	M 5 DIN 127	2
33-1	024600	UNION	COMPRESSION INCLUDING NUT AND FERRULE	2
33-2	013344	NUT	COMPRESSION	4
33-3	013343	FERRULE	COMPRESSION	4
34	033059	LINE		1
35	032865	CLAMP	RETURN LINE	1
36	032746	LINE	RETURN	1
37-1	024634	CONNECTOR	LINE TO FUEL HOSE INCL NUT & FERRULE	1
37-2	033097	NUT	COMPRESSION	1
37-3	033096	FERRULE	COMPRESSION	1
38	015289	ADAPTER		1
39	030025	HOSE	FUEL RETURN INCL REF 38	1

WESTERBEKE 82B - 25.0 BED - FUEL SYSTEM

REF	PN	NAME	REMARKS	QUAN
40	030139	BOLT	BANJO	1
41	024972	WASHER	ALUMINUM	1
42	030291	WASHER	BANJO M14	1
43	030290	WASHER	BANJO M12	1
44	032696	FILTER	FUEL WITH PRIMING PUMP	1
45-1	032868	BOLT	FILTER BLEED	1
45-2	032869	WASHER	FILTER BLEED	1
46	024363	FILTER	FUEL	1
47	030290	WASHER	BANJO M12 - PROPULSION	1
48	035027	HOSE	FILTER TO INJECTION PUMP	1
49	030139	BOLT	BANJO - PROPULSION	1
50	033642	CAPSCREW	M 8 X 25 JIS-FLANGE	2
51-1	030291	WASHER	BANJO M14 - PROPULSION	1
51-2	024972	WASHER	ALUMINUM - PROPULSION	1
52	032697	BRACKET	LIFTING EYE AND FILTER MOUNT	1
53-1	024338	SOLENOID	FUEL SHUT-OFF 12 VDC	1
53-2	031285	SOLENOID	FUEL SHUT-OFF 24 VDC	1
53-3	034913	SOLENOID	FUEL SHUT-OFF 12 VDC UNGROUNDED	1
53-4	034992	SOLENOID	FUEL SHUT-OFF 24 VDC UNGROUNDED	1
54	024339	O-RING	FUEL SOLENOID	1
55-1	024501	BOLT	BANJO - RETURN	1
55-2	024498	WASHER	BANJO	2
56-1	030139	BOLT	BANJO - SUPPLY	1
56-2	024972	WASHER	BANJO - ALUMINUM	2
57	033668	NUT	M 8 JIS-FLANGE	2
58	032904	KEY	WOODRUFF	1
59	024461	GASKET	INJECTION PUMP TO TIMING CASE	1
60-1	032748	PUMP	FUEL INJECTION-PROPULSION	1
60-2	032729	PUMP	INJECTION-GENSET W/MECHANICAL GOVERNOR	1
60-3	032748	PUMP	INJECTION-GENSET W/ELECTRONIC GOVERNOR	1
61	031847	NUT	10-32	1
62	031849	LOCKWASHER	10	1
63	019364	BALLJOINT	THROTTLE CABLE-PROPULSION	1
64	013870	SHIM	THROTTLE CABLE-PROPULSION	1
65	031873	SCREW	10-32 X 5/8 SS BH	2
66	013325	CLAMP	THROTTLE CABLE-PROPULSION	1
67	031849	LOCKWASHER	10	2
68	031847	NUT	10-32	2
69	032269	BRACKET	THROTTLE CABLE	1
70	033678	STUD	M 8 X 12 DIN 939	2
71	024399	GASKET	INJECTION PUMP GEAR COVER	1
72	024398	COVER	INJECTION PUMP GEAR	1
73	031786	LOCKWASHER	M 8 DIN 127	2
74	033668	NUT	M 8 JIS-FLANGE	2
75	033643	CAPSCREW	M 8 X 30 JIS-FLANGE	1
77	032506	CAPSCREW	M 8 X 60 DIN 933	1
78	031787	WASHER	M 8 DIN 125	AR

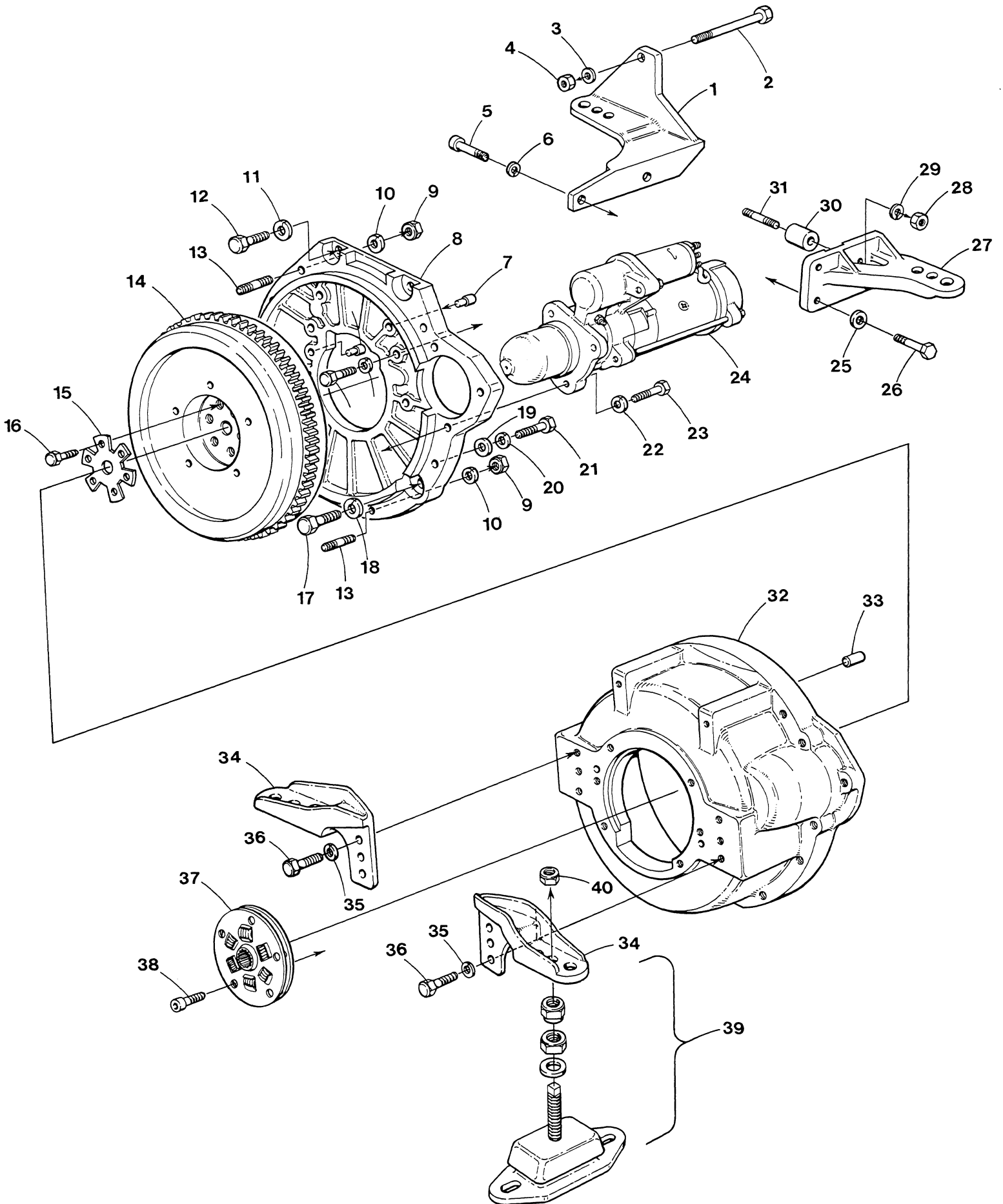
WESTERBEKE 82B - 25.0 BED - FUEL SYSTEM



WESTERBEKE 82B - 25.0 BED - FUEL SYSTEM

REF	PN	NAME	REMARKS	QUAN
79	032692	NUT	INJECTION PUMP	1
80	032695	WASHER	INJECTION PUMP	1
81	031015	GEAR	FRICTION	1
82	032694	GEAR	INJECTION PUMP DRIVE	1
83	015830	STUD	M 8 X 25 DIN 939	2
84	032693	BRACKET	INJECTION PUMP SUPPORT	1
85	033377	BRACKET	INJECTION PUMP SUPPORT TO BLOCK	1
86	024953	CAPSCREW	M10 X 1.25 X 35 DIN 961	1
87	015887	NUT	M10 DIN 934	1
88	019262	LOCKWASHER	M10 DIN 127	1
89	031789	WASHER	M10 DIN 125	1
90	013629	CAPSCREW	M10 X 25 DIN 933	1
91	018813	CAPSCREW	M10 X 20 DIN 933	2
92	018242	NUT	M 8 DIN 934	1
93	031786	LOCKWASHER	M 8 DIN 127	1
94	024542	GASKET	INJECTION PUMP GOVERNOR COVER	1
95-1	032737	SPRING	GOVERNOR-PROPULSION	1
95-2	032545	SPRING	GOVERNOR-GENSET WITH MECHANICAL GOVERNOR	1
95-3	032737	SPRING	GOVERNOR-GENSET WITH ELECTRONIC GOVERNOR	1
96-1	019369	PLUG	1/8NPT HEX HEAD BRASS	1
96-2	035827	GAUGE	FUEL PRESSURE-GENSET OPTIONAL	1
97	035950	BOLT	BANJO-FUEL PRESSURE GAUGE	1
98	030290	WASHER	BANJO M12	3
99	035949	BANJO	FUEL PRESSURE GAUGE-GENSET	1
100	017012	CAPSCREW	M 6 X 16 DIN 933	2
101	031783	LOCKWASHER	M 6 DIN 127	2
102-1	024831	PUMP	FUEL LIFT 12 VDC REPLACED BY 39275	1
102-2	033721	PUMP	FUEL LIFT 24 VDC	1
103	031792	LOCKWASHER	M12 DIN 127	1
104	033347	CAPSCREW	M12 X 1.5 X 25 DIN 961	1
105	033792	MAGNET	LIFT PUMP	1
106	030548	ELEMENT	LIFT PUMP FILTER INCLUDING GASKET	1
107	033653	CAPSCREW	M10 X 1.25 X 95 JIS-FLANGE	2
108	031506	CAPSCREW	1/4NC X 1-1/4	2
109	031752	LOCKWASHER	1/4	2
110-1	031753	WASHER	1/4 FLAT	2
110-2	031750	NUT	1/4NC	2
111	024952	CAPSCREW	M10 X 1.25 X 25 DIN 961	2
112	019262	LOCKWASHER	M10 DIN 127	2

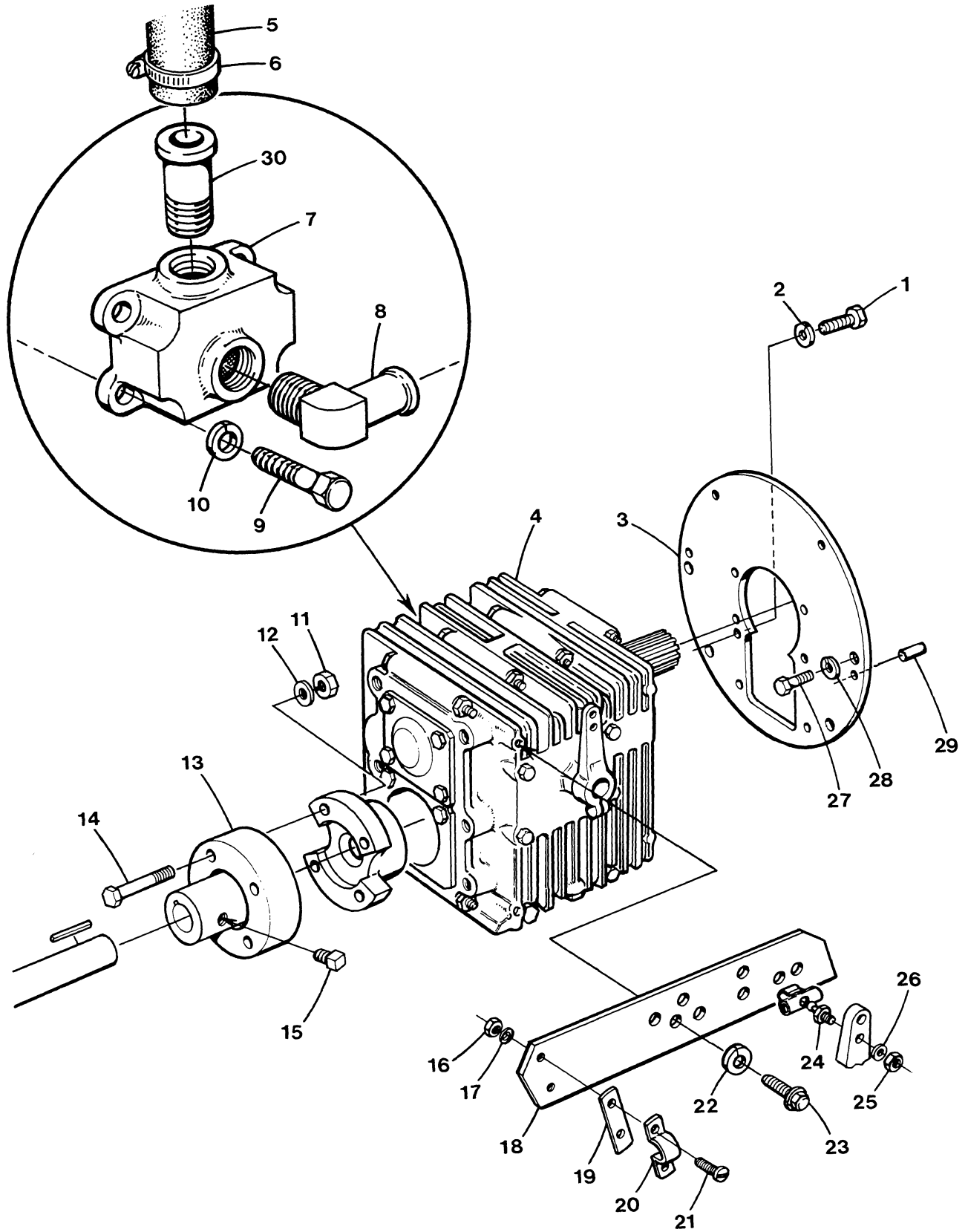
WESTERBEKE 82B FOUR - BACK END - MOUNTING SYSTEM



WESTERBEKE 82B FOUR - BACK END - MOUNTING SYSTEM

REF	PN	NAME	REMARKS	QUAN
1	032256	MOUNT	FRONT LEFT	1
2	032506	CAPSCREW	M 8 X 60 DIN 933	1
3	031786	LOCKWASHER	M 8 DIN 127	1
4	018242	NUT	M 8 DIN 934	1
5	031083	CAPSCREW	M10 X 1.25 X 30 JIS	2
6	019262	LOCKWASHER	M10 DIN 127	2
7	031154	DOWEL	STEP-BLOCK TO BACKPLATE	2
8	038296	BACKPLATE		1
9	015887	NUT	M10 DIN 934	3
10	019262	LOCKWASHER	M10 DIN 127	3
11	031797	LOCKWASHER	M14 DIN 127	4
12	031223	CAPSCREW	M14 X 1.5 X 30 DIN 961	4
13	037821	STUD	M10 X 30 DIN 939	3
14-1	039089	FLYWHEEL	INCLUDING RING GEAR	1
14-2	038392	GEAR	RING	1
15	036206	TABWASHER		1
16	036138	BOLT	FLYWHEEL M15	6
17	024953	CAPSCREW	M10 X 1.25 X 35 DIN 961	6
18	019262	LOCKWASHER	M10 DIN 127	6
19	031789	WASHER	M10 DIN 125	10
20	019262	LOCKWASHER	M10 DIN 127	4
21	034470	CAPSCREW	M10 X 45 DIN 931	4
22	019262	LOCKWASHER	M10 DIN 127	3
23	034833	CAPSCREW	M10 X 60 DIN 912 FULLY THREADED	3
24	038384	MOTOR	STARTER 12 VDC	1
25	019262	LOCKWASHER	M10 DIN 127	2
26	031083	CAPSCREW	M10 X 1.25 X 30 JIS	2
27	032258	MOUNT	FRONT RIGHT	1
28	031795	NUT	M12 X 1.5 DIN 934	1
29	031792	LOCKWASHER	M12 DIN 127	1
30	016714	SPACER		1
31	032916	STUD	M12 X 1.5 X 48	1
32	038376	HOUSING	FLYWHEEL	1
33	019039	DOWEL	3/8 X 3/4	2
34	038578	MOUNT	REAR	2
35	019262	LOCKWASHER	M10 DIN 127	6
36	034589	CAPSCREW	M10 X 30 DIN 933	6
37	011618	DAMPER	HBW OR WARNER	1
38	024778	CAPSCREW	DAMPER TO FLYWHEEL	5
39	036334	ISOLATOR		4
40	036338	NUT	M16 DIN 985	4

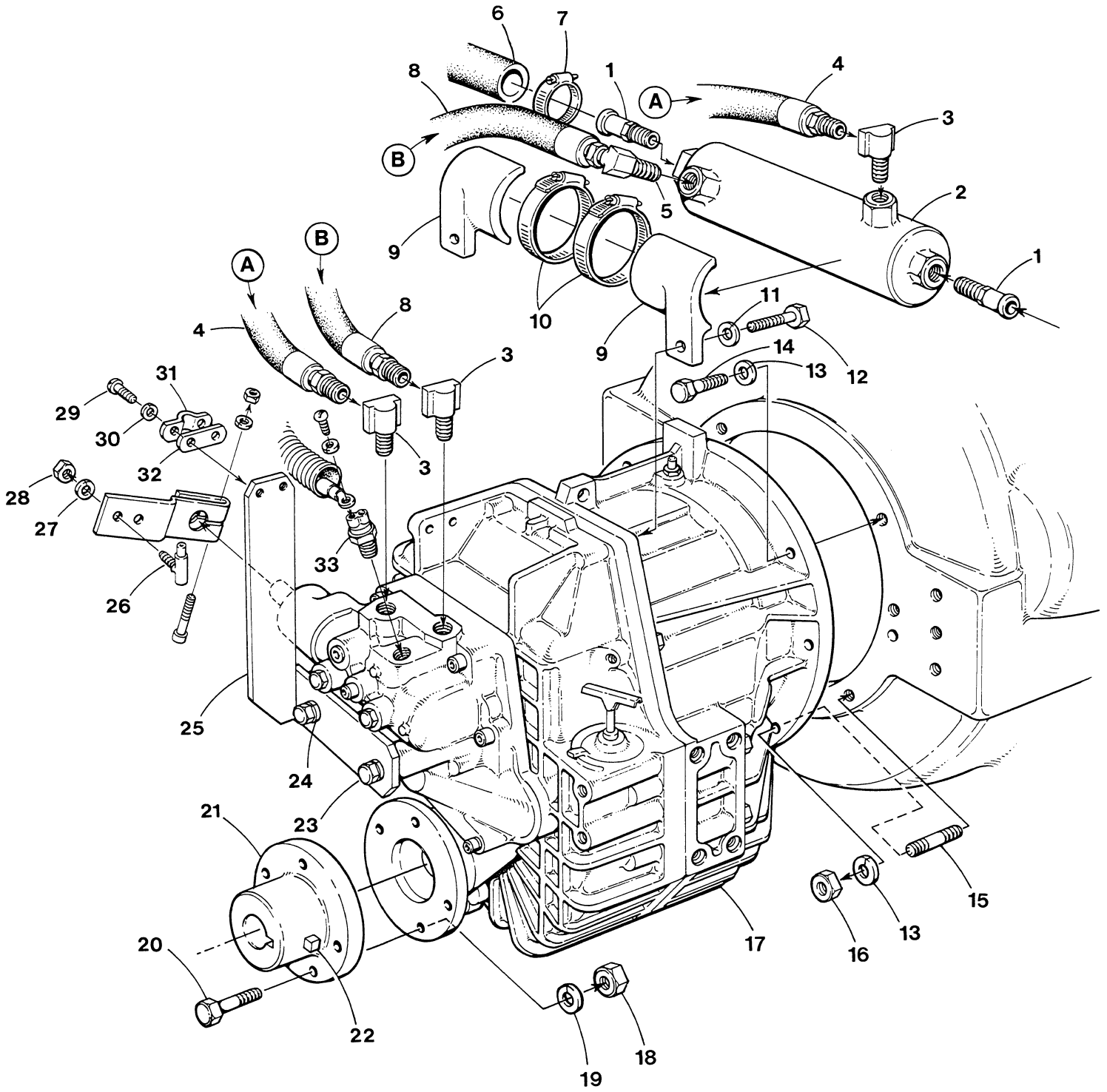
WESTERBEKE 82B FOUR - MODEL HBW 250 TRANSMISSION



WESTERBEKE 82B FOUR - MODEL HBW 250 TRANSMISSION

REF	PN	NAME	REMARKS	QUAN
1	018813	CAPSCREW	M10 X 20 DIN 933	6
2	031790	LOCKWASHER	M10 DIN 137-B	6
3	038442	ADAPTER	HBW 250 GEAR TO HOUSING	1
4-1	032564	GEAR	HBW250 1.5:1	1
4-2	032565	GEAR	HBW250 1.9:1	1
4-3	032566	GEAR	HBW250 2.7:1	1
5	011779	HOSE	1" ID WIRE INSERTED - INCHES REQUIRED	24
6	011405	CLAMP	HOSE 16	2
7	040036	COOLER	HBW TRANSMISSION	1
8	036614	ELBOW	3/4NPT X 1" HOSE	1
9	017196	CAPSCREW	M 8 X 20 DIN 933	4
10	031786	LOCKWASHER	M 8 DIN 127	4
11	024950	NUT	M10 X 1.25 DIN 934	4
12	019262	LOCKWASHER	M10 DIN 127	4
13-1	023706	COUPLING	HBW 0.75 IN BORE	1
13-2	023707	COUPLING	HBW 0.875 IN BORE	1
13-3	023708	COUPLING	HBW 1.0 IN BORE	1
13-4	023709	COUPLING	HBW 1.125 IN BORE	1
13-5	023710	COUPLING	HBW 1.25 IN BORE	1
13-6	023711	COUPLING	HBW 1.375 IN BORE	1
13-7	023712	COUPLING	HBW 1.5 IN BORE	1
14	031228	CAPSCREW	M10 X 1.25 X 30 DIN 961	4
15-1	023651	SETSCREW	COUPLING 3/8NC X 3/4	2
15-2	023652	SETSCREW	COUPLING 3/8NC X 1	2
16	031847	NUT	10-32 HEX SS	2
17	031849	LOCKWASHER	10	2
18	032161	BRACKET	SHIFT CABLE	1
19	013870	SHIM	SHIFT CABLE	1
20	013325	CLAMP	SHIFT CABLE	1
21	031873	SCREW	10-32 X 5/8 SS	2
22	031786	LOCKWASHER	M 8 DIN 127	2
23	020650	CAPSCREW	M 8 X 18 DIN 933	2
24	033482	BALLJOINT	SHIFT CABLE	1
25	031754	NUT	1/4NF	1
26	031752	LOCKWASHER	1/4	1
27	031655	CAPSCREW	7/16NC X 1	4
28	031770	LOCKWASHER	7/16	4
29	013919	DOWEL	ADAPTER TO HOUSING	2
30	036622	NIPPLE	3/4NPT X 1" HOSE	1

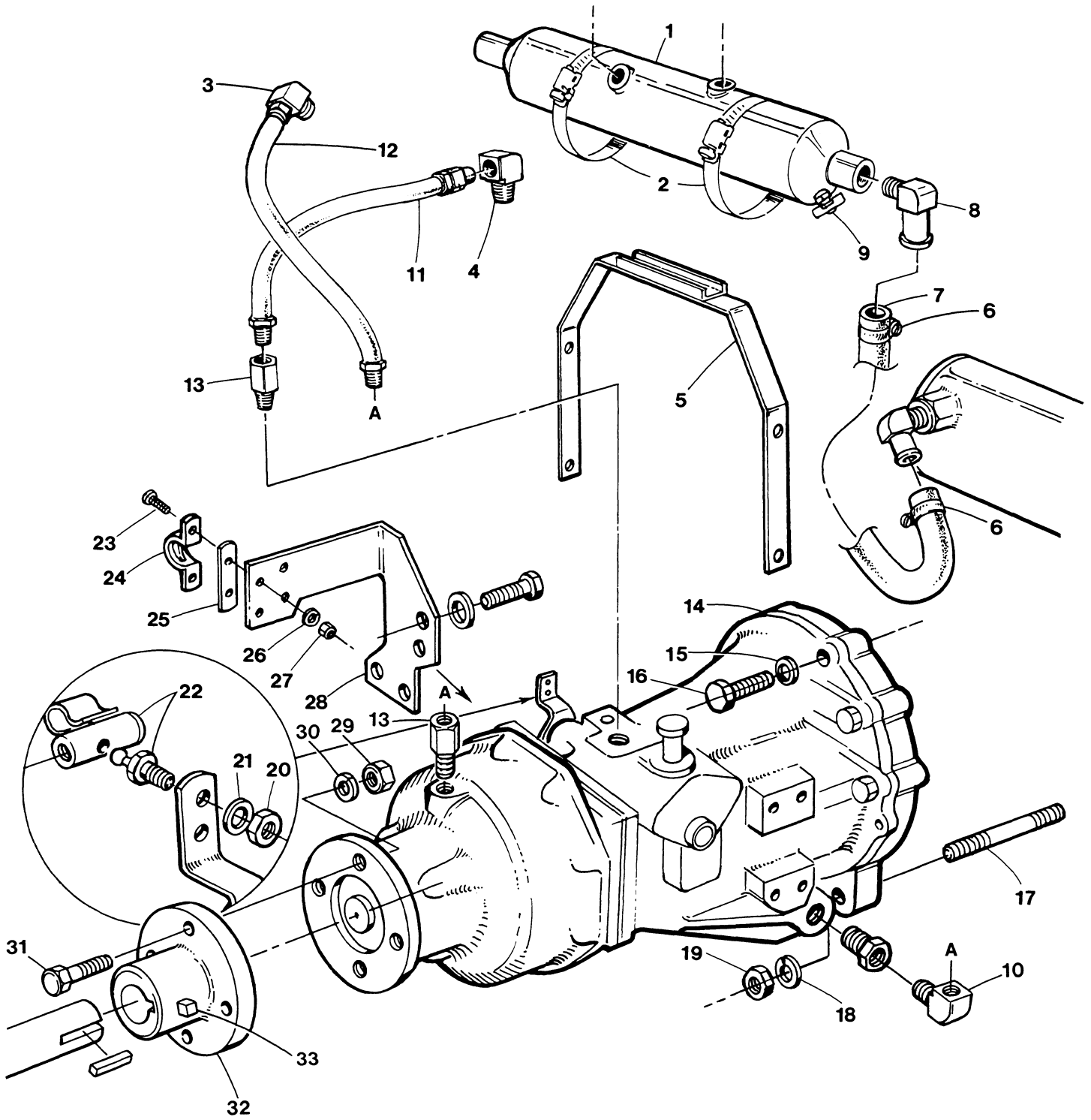
WESTERBEKE 82B FOUR - MODEL HSW 630 TRANSMISSION



WESTERBEKE 82B FOUR - MODEL HSW 630 TRANSMISSION

REF	PN	NAME	REMARKS	QUAN
1	036622	NIPPLE	3/4NPT X 1" HOSE	2
2	036650	COOLER	OIL	1
3	013330	ELBOW	MALE 3/8NPT 90 TO HOSE	3
4	023567	HOSE	OIL	1
5	013331	ELBOW	MALE 3/8NPT 45 TO HOSE	1
6	011779	HOSE	1" ID WIRE INSERTED - INCHES REQUIRED	12
7	011405	CLAMP	HOSE 16	2
8	036121	HOSE	OIL	1
9	039155	BRACKET	COOLER - SET	1
10	011411	CLAMP	HOSE 32	2
11	019262	LOCKWASHER	M10 DIN 127	2
12	034590	CAPSCREW	M10 X 40 DIN 933	2
13	031770	LOCKWASHER	7/16	6
14	031656	CAPSCREW	7/16NC X 1-1/4	4
15	039276	STUD	7/16NC X 1-3/4	2
16	031768	NUT	7/16NC	2
17-1	038608	GEAR	HSW630H 2:1	1
17-2	039789	GEAR	HSW630H 2.5:1	1
17-3	038609	GEAR	HSW630H 2.8:1	1
17-4	038610	GEAR	HSW630A 2:1	1
17-5	038611	GEAR	HSW630A 2.5:1	1
17-6	038132	GEAR	HSW630V 2:1	1
18	031772	NUT	7/16NF	4
19	031770	LOCKWASHER	7/16	4
20	031682	CAPSCREW	7/16NF X 1-1/2	4
21-1	011961	COUPLING	1.0 IN BORE	1
21-2	011962	COUPLING	1.125 IN BORE	1
21-3	011963	COUPLING	1.25 IN BORE	1
21-4	011964	COUPLING	1.375 IN BORE	1
21-5	023609	COUPLING	1.5 IN BORE	1
21-6	039323	COUPLING	1.75 IN BORE	1
22	023653	SETSCREW	COUPLING 3/8NC X 1-1/4	2
23	031603	CAPSCREW	3/8NC X 3/4	2
24	031764	LOCKWASHER	3/8	2
25	039154	BRACKET	SHIFT CABLE	1
26	033482	BALLJOINT	SHIFT CABLE	1
27	031752	LOCKWASHER	1/4	1
28	031754	NUT	1/4NF	1
29	031873	SCREW	10-32 X 5/8 SS	2
30	031849	LOCKWASHER	10	2
31	013325	CLAMP	SHIFT CABLE	1
32	013870	SHIM	SHIFT CABLE	1
33		SWITCH	NEUTRAL SAFETY	1

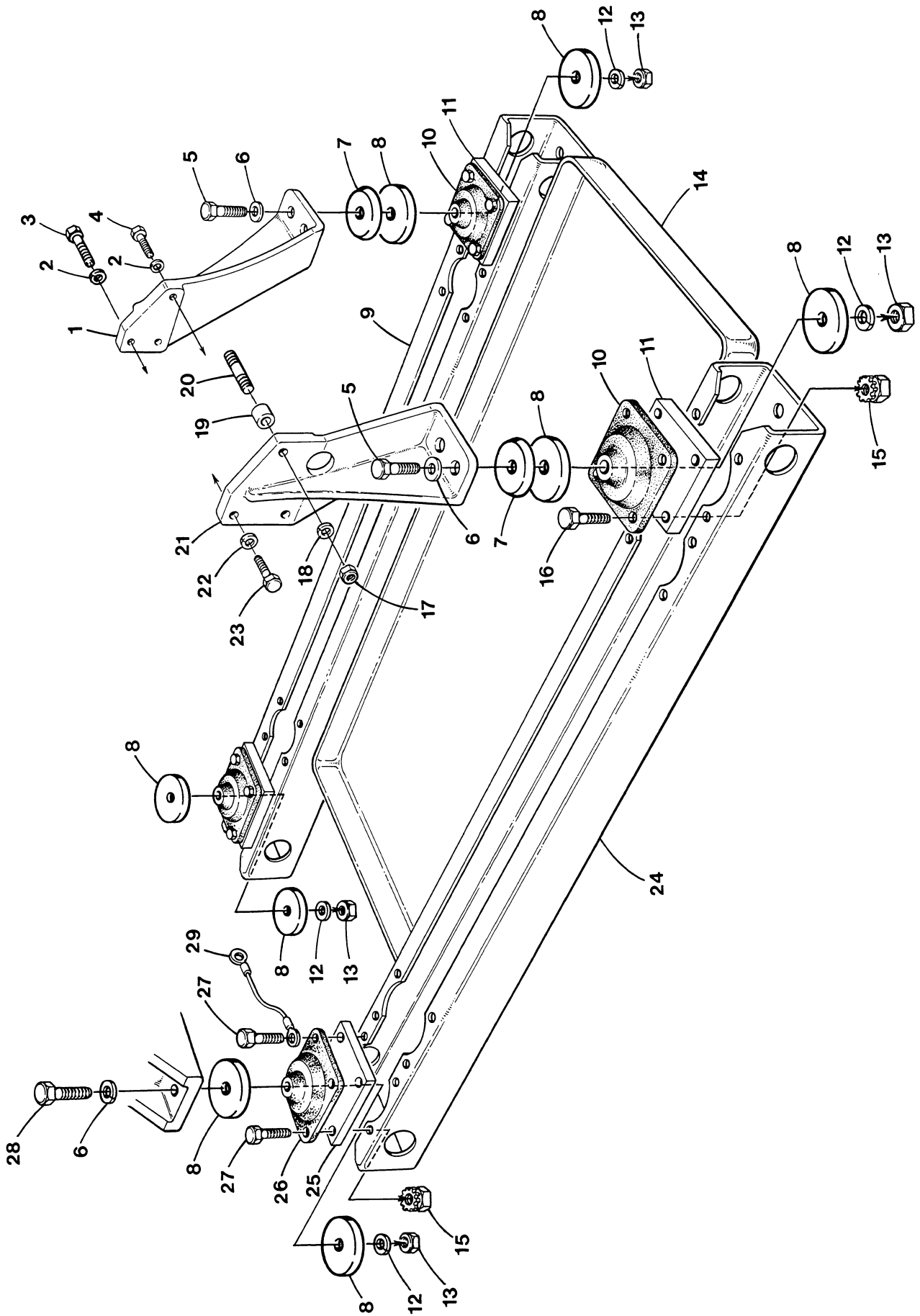
WESTERBEKE 82B FOUR - WARNER TRANSMISSION



WESTERBEKE 82B FOUR - WARNER TRANSMISSION

REF	PN	NAME	REMARKS	QUAN
1	036650	COOLER	OIL	1
2	011411	CLAMP	HOSE 32 - MOUNT COOLER TO BRACKET	2
3	013330	ELBOW	COOLER TO HOSE	1
4	013338	ELBOW	3/8NPT STREET 90 BRASS	1
5	013057	BRACKET	COOLER MOUNT TO TRANSMISSION	1
6	011405	CLAMP	HOSE 16	2
7	011779	HOSE	1" ID WIRE INSERTED - INCHES REQUIRED	16
8	036614	ELBOW	3/4NPT X 1" HOSE	2
9	011471	PETCOCK	1/8NPT	1
10	013330	ELBOW	HOSE TO TRANSMISSION	1
11	011921	HOSE	OIL	1
12-1	022114	HOSE	OIL - 1:1 AND 2:1 TRANSMISSION	1
12-2	023567	HOSE	OIL - REDUCTION TRANSMISSION EXCEPT 2:1	1
13-1	013348	CONNECTOR	HOSE TO TRANSMISSION EXCEPT 2:1	1
13-2	013348	CONNECTOR	HOSE TO 2:1 TRANSMISSION	2
14-1	011630	GEAR	HYDRAULIC 1:1	1
14-2	011631	GEAR	HYDRAULIC 1.5:1	1
14-3	037297	GEAR	HYDRAULIC 1.9:1 OPPOSITE ROTATION	1
14-4	011632	GEAR	HYDRAULIC 2:1	1
14-5	011632	GEAR	HYDRAULIC 2.5:1	1
14-6	011634	GEAR	HYDRAULIC 3:1	1
15	031770	LOCKWASHER	7/16	4
16	031665	CAPSCREW	7/16NC X 3-1/2	4
17	023467	STUD	7/16NC X 4	2
18	031770	LOCKWASHER	7/16	2
19	031768	NUT	7/16NC	2
20	031754	NUT	1/4NF	1
21	031752	LOCKWASHER	1/4	1
22	033482	BALLJOINT	SHIFT CABLE	1
23	031873	SCREW	10-32 X 5/8 SS	2
24	013325	CLAMP	SHIFT CABLE	1
25	013870	SHIM	SHIFT CABLE	1
26	031849	LOCKWASHER	10	2
27	031847	NUT	10-32 HEX SS	2
28	032315	BRACKET	SHIFT CABLE	1
29	031768	NUT	7/16NC	4
30	031770	LOCKWASHER	7/16	4
31	031655	CAPSCREW	7/16NC X 1	4
32- 1	023706	COUPLING	DIRECT DRIVE 0.75 IN BORE	1
32- 2	023707	COUPLING	DIRECT DRIVE 0.875 IN BORE	1
32- 3	023708	COUPLING	DIRECT DRIVE 1.0 IN BORE	1
32- 4	023709	COUPLING	DIRECT DRIVE 1.125 IN BORE	1
32- 5	023710	COUPLING	DIRECT DRIVE 1.25 IN BORE	1
32- 6	023711	COUPLING	DIRECT DRIVE 1.375 IN BORE	1
32- 7	023712	COUPLING	DIRECT DRIVE 1.5 IN BORE	1
32- 8	011961	COUPLING	REDUCTION 1.0 IN BORE	1
32- 9	011962	COUPLING	REDUCTION 1.125 IN BORE	1
32-10	011963	COUPLING	REDUCTION 1.25 IN BORE	1
32-11	011964	COUPLING	REDUCTION 1.375 IN BORE	1
32-12	023609	COUPLING	REDUCTION 1.5 IN BORE	1
32-13	039323	COUPLING	REDUCTION 1.75 IN BORE	1
33-1	023651	SETSCREW	COUPLING 3/8NC X 3/4	2
33-2	023652	SETSCREW	COUPLING 3/8NC X 1	2
33-3	023653	SETSCREW	COUPLING 3/8NC X 1-1/4	2

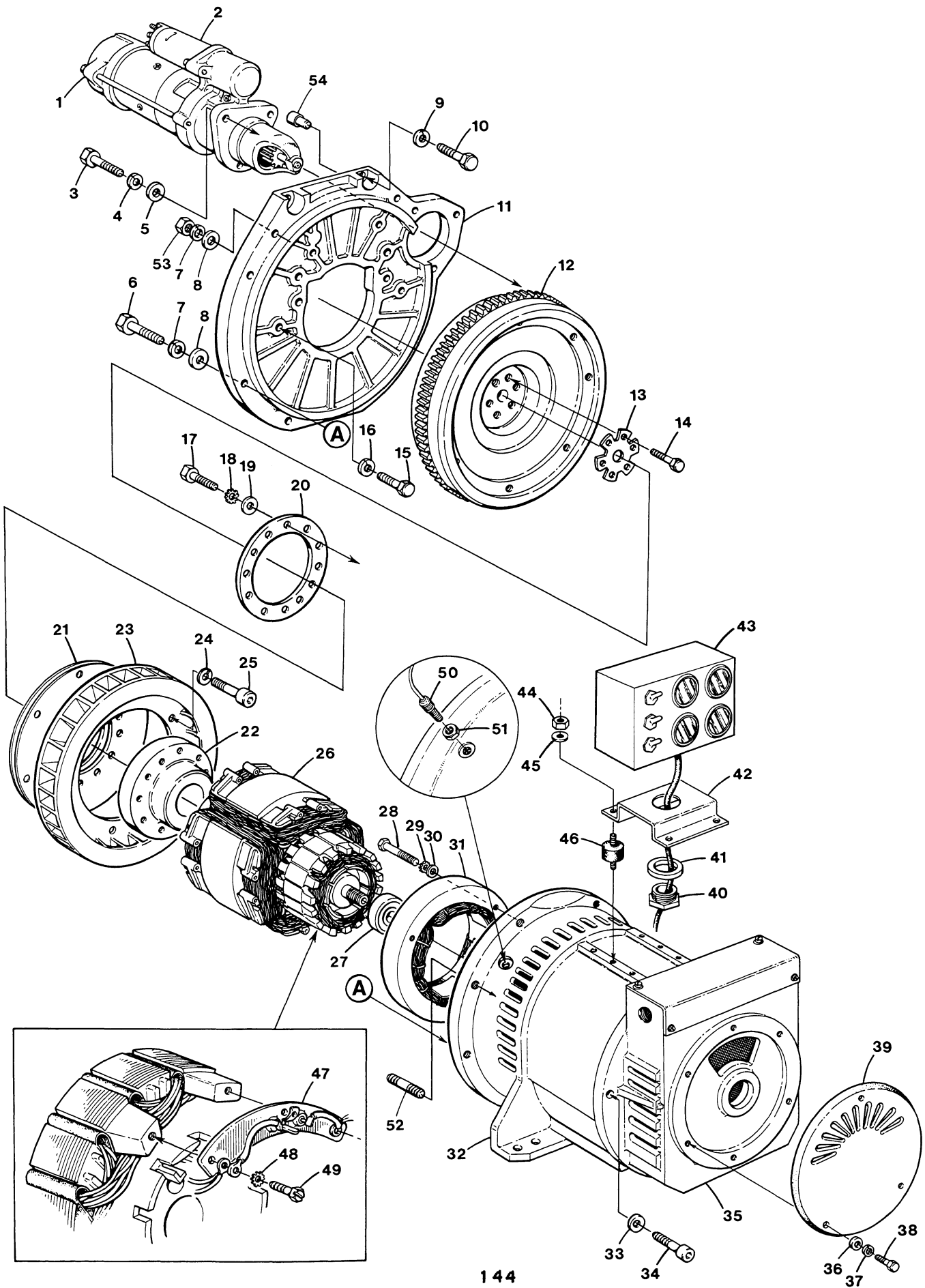
WESTERBEKE 25.0 BED - MOUNTING SYSTEM



WESTERBEKE 25.0 BED - MOUNTING SYSTEM

REF	PN	NAME	REMARKS	QUAN
1	038682	MOUNT	FRONT LEFT	1
2	019262	LOCKWASHER	M10 DIN 127	3
3	024953	CAPSCREW	M10 X 1.25 X 35 DIN 961	1
4	031083	CAPSCREW	M10 X 1.25 X 30 JIS	2
5	031717	CAPSCREW	1/2NC X 4	2
6	031776	WASHER	1/2 FLAT	4
7	033530	SHIELD	ISOLATOR	2
8	024674	WASHER	ISOLATOR SNUBBING	8
9	024701	RAIL	LEFT	1
10	015238	ISOLATOR	FRONT	2
11	037792	SPACER	ISOLATOR TO RAIL	2
12	031776	LOCKWASHER	1/2	4
13	031774	NUT	1/2NC	4
14	038698	DRIPTRAY		1
15	200127	NUT	5/16NC KEPS	16
16	031559	CAPSCREW	5/16NC X 2	8
17	031795	NUT	M12 X 1.5 DIN 934	1
18	031792	LOCKWASHER	M12 DIN 127	1
19	016714	SPACER		1
20	032916	STUD	M12 X 1.5 X 48	1
21	038684	MOUNT	FRONT RIGHT	1
22	019262	LOCKWASHER	M10 DIN 127	2
23	031083	CAPSCREW	M10 X 1.25 X 30 JIS	2
24	039274	RAIL	RIGHT	1
25	035271	SPACER	ISOLATOR TO RAIL	2
26	015239	ISOLATOR	REAR	2
27	031557	CAPSCREW	5/16NC X 1-1/2	8
28	031718	CAPSCREW	1/2NC X 4-1/4	2
29	034713	STRAP	GROUND RAIL TO GENSET	1

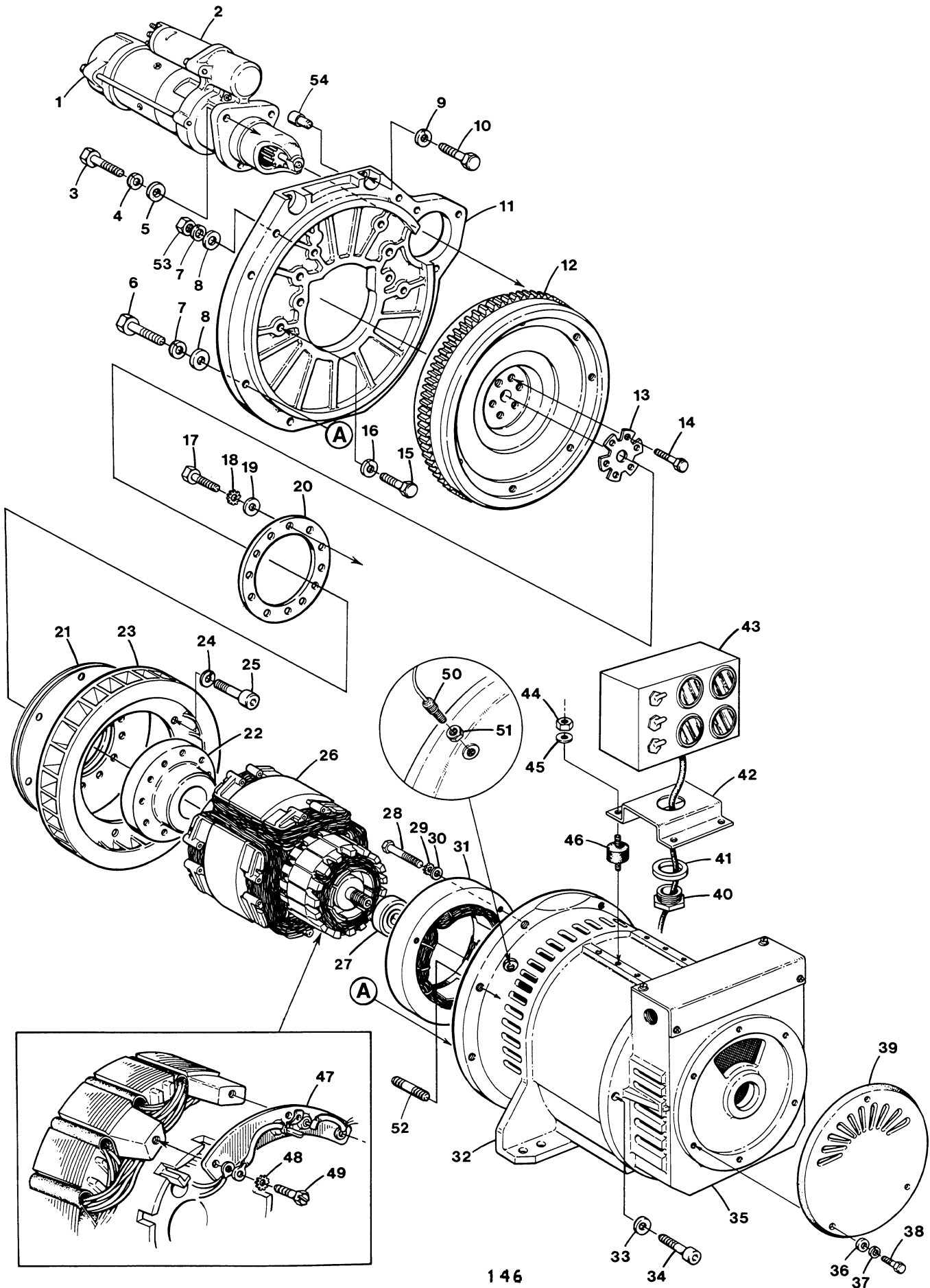
WESTERBEKE 25.0 BED - BACK END - GENERATOR



WESTERBEKE 25.0 BED - BACK END - GENERATOR

REF	PN	NAME	REMARKS	QUAN
1	038384	MOTOR	STARTER 12 VDC	1
2	039523	SOLENOID	STARTER MOTOR 38384 12 VDC	1
3	013631	CAPSCREW	M10 X 55 DIN 933	3
4	019262	LOCKWASHER	M10 DIN 127	3
5	031789	WASHER	M10 DIN 125	4
6	034470	CAPSCREW	M10 X 45 DIN 931	4
7	019262	LOCKWASHER	M10 DIN 127	7
8	031789	WASHER	M10 DIN 125	7
9	031797	LOCKWASHER	M14 DIN 127	3
10	031223	CAPSCREW	M14 X 1.5 X 30 DIN 961	4
11	038296	BACKPLATE		1
12-1	038395	FLYWHEEL	INCLUDING RING GEAR	1
12-2	038392	GEAR	RING	1
13	036206	TABWASHER		1
14	036138	BOLT	FLYWHEEL M15	6
15	024953	CAPSCREW	M10 X 1.25 X 35 DIN 961	6
16	019262	LOCKWASHER	M10 DIN 127	6
17	013629	CAPSCREW	M10 X 25 DIN 933	10
18	019262	LOCKWASHER	M10 DIN 127	10
19	031789	WASHER	M10 DIN 125	10
20	039869	PLATE	DRIVE DISC TO HUB	1
21	039785	DISC	DRIVE	4
22	039668	HUB	DRIVE	1
23	039637	FAN		1
24	019262	LOCKWASHER	M10 DIN 127	8
25	039318	CAPSCREW	M10 X 25 DIN 912	8
26-1	039636	ARMATURE	1 PHASE	1
26-2	039784	ARMATURE	3 PHASE	1
27	039638	BEARING	BALL	1
28	030146	CAPSCREW	M 6 X 55 DIN 931	3
29	031783	LOCKWASHER	M 6 DIN 127	3
30	031784	WASHER	M 6 DIN 125	3
31	039639	STATOR	EXCITER	1
32-1	039630	GENERATOR	1 PHASE	1
32-2	039665	STATOR	1 PHASE	1
32-3	039642	STATOR	INCLUDING HOUSING 1 PHASE	1
32-4	039868	GENERATOR	3 PHASE	1
32-5	039870	STATOR	3 PHASE	1
32-6	039873	STATOR	INCLUDING HOUSING 3 PHASE	1
33	031915	LOCKWASHER	M10 DIN 6797A	3
34	039871	CAPSCREW	M10 X 35 DIN 912	3
35	039669	HOUSING	GENERATOR END	1

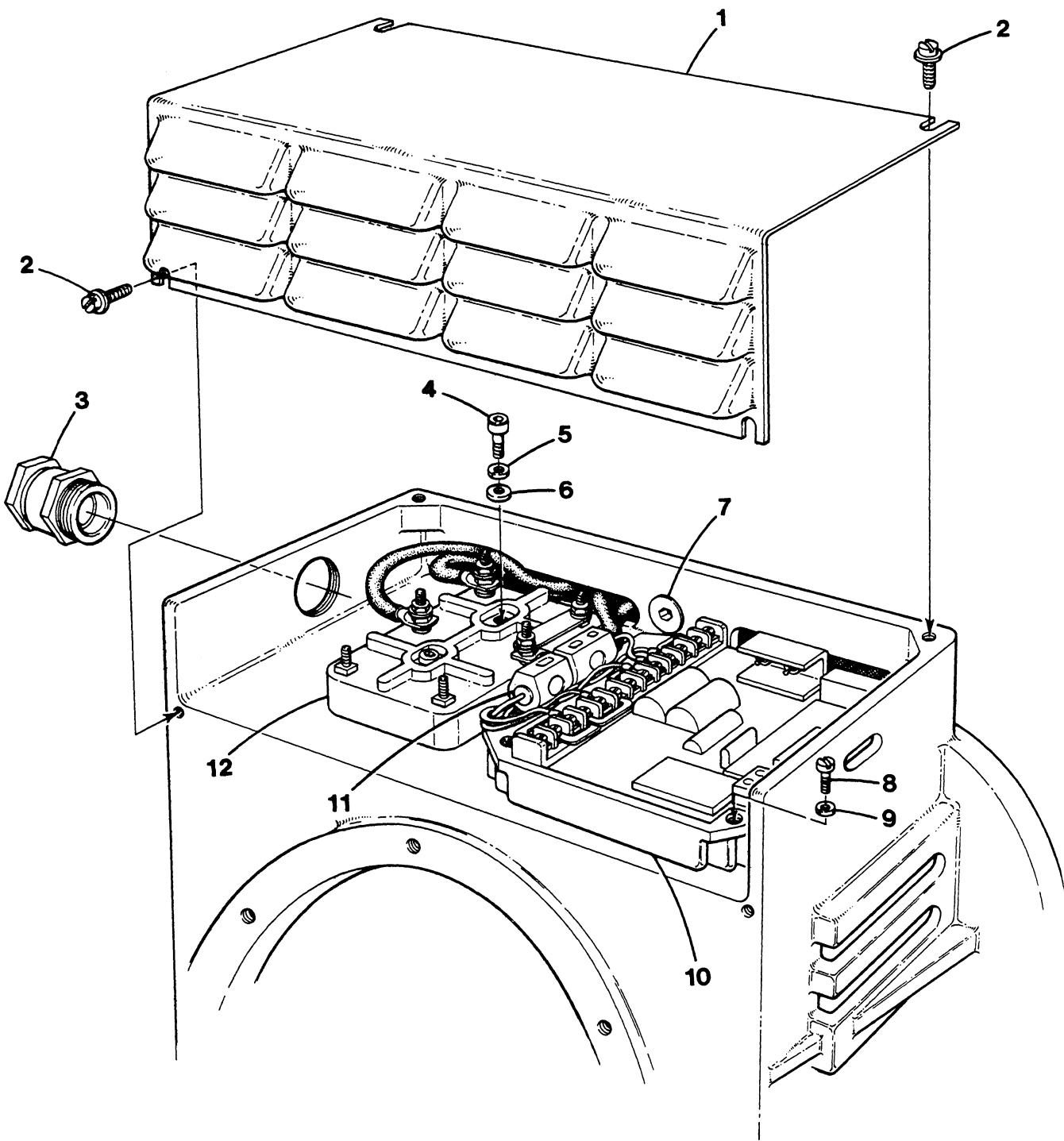
WESTERBEKE 25.0 BED - BACK END - GENERATOR



WESTERBEKE 25.0 BED - BACK END - GENERATOR

REF	PN	NAME	REMARKS	QUAN
36	031789	WASHER	M10 DIN 125	3
37	019262	LOCKWASHER	M10 DIN 127	3
38	013629	CAPSCREW	M10 X 25 DIN 933	3
39	039074	COVER	PTO	1
40	036464	NIPPLE	CHASE INCLUDED WITH PANEL BOX ASSEMBLY	1
41	036492	RING	SEALING INCLUDED WITH PANEL BOX ASSEMBLY	1
42	036730	BRACKET	PANEL MOUNT INCLUDED WITH PANEL BOX ASSY	1
43		PANEL	REFER TO PANEL PAGE	1
44	015812	NUT	M 6 DIN 934	4
45	031783	LOCKWASHER	M 6 DIN 127	4
46	036652	ISOLATOR	PANEL MOUNT	4
47	039666	DIODE	ASSEMBLY	3
48	031914	LOCKWASHER	M 5 DIN 6797A	9
49	031931	SCREW	M 5 X 16 DIN 84A	9
50	039172	SENSOR	MAGNETIC	1
51		NUT		1
52	037821	STUD	M10 X 30 DIN 939	3
53	015887	NUT	M10 DIN 934	3
54	031154	DOWEL	STEP	2

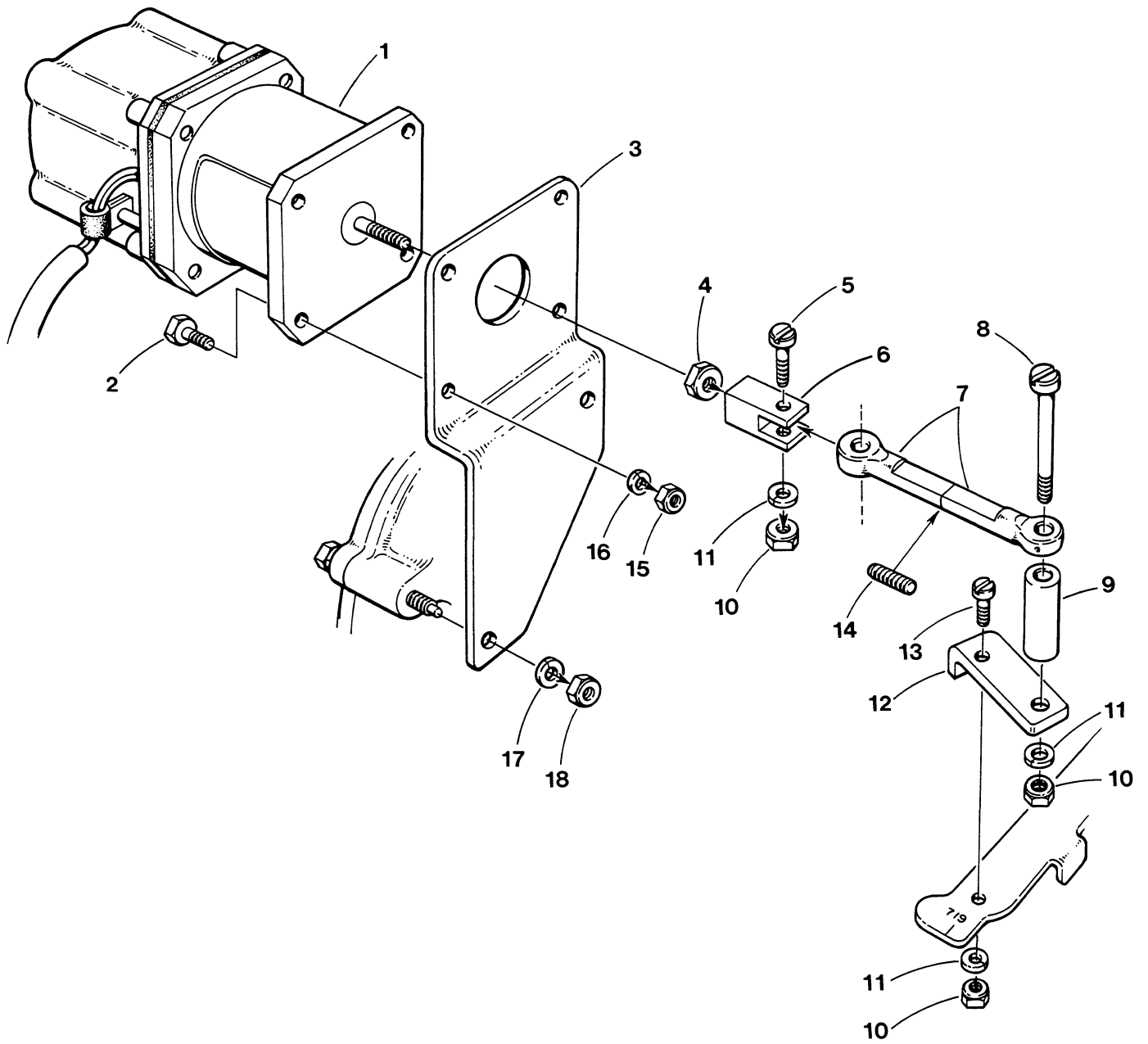
WESTERBEKE 25.0 BED - AC OUTPUT AND REGULATOR



WESTERBEKE 25.0 BED - AC OUTPUT AND REGULATOR

REF	PN	NAME	REMARKS	QUAN
1	038985	COVER	AC OUTPUT	1
2	031918	SCREW	M 5 X 10 DIN 84A	4
3	036737	CONNECTOR	BOX 1-1/2 - AC OUTPUT LEADS	1
4	039874	CAPSCREW	M 6 X 20 DIN 912	2
5	031783	LOCKWASHER	M 6 DIN 127	2
6	031784	WASHER	M 6 DIN 125	2
7	039872	CAPSCREW	M10 X 35 DIN 7991	1
8	039875	SCREW	M 4 X 25 DIN 84A	4
9	031917	LOCKWASHER	M 4 DIN 6797A	4
10	039640	REGULATOR	VOLTAGE	1
11-1	039667	HOLDER	FUSE	1
11-2	038471	FUSE		1
12-1	039632	BLOCK	TERMINAL AC OUTPUT	1
12-2	039633	BAR	BUSS	AR
12-3	039634	NUT	M 8 BRASS	AR
13-1	039306	LABEL	AC OUTPUT 1 PHASE	1
13-2	039686	LABEL	AC OUTPUT 3 PHASE	1

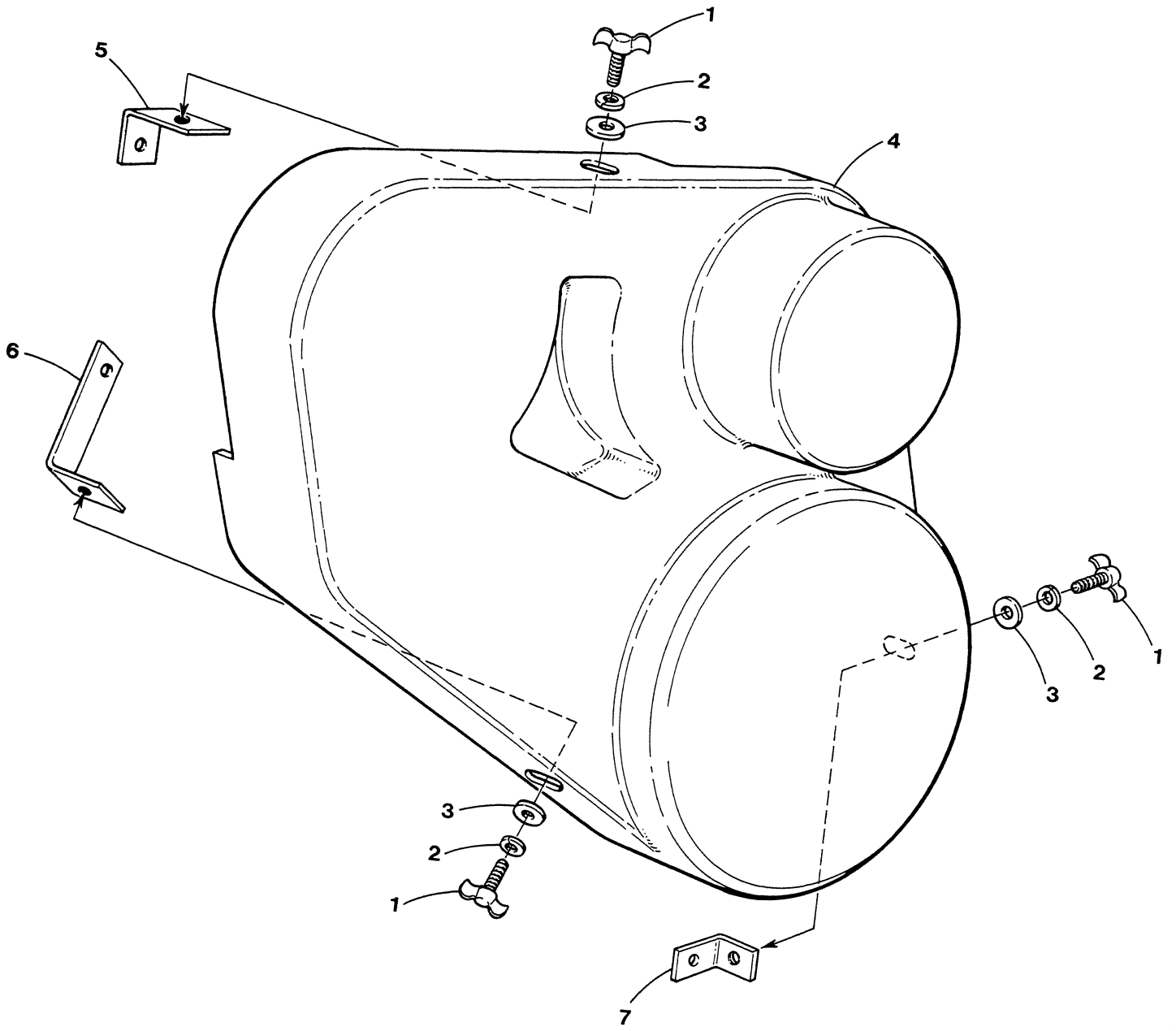
WESTERBEKE 25.0 BED - ELECTRONIC GOVERNOR ACTUATOR



WESTERBEKE 25.0 BED - ELECTRONIC GOVERNOR ACTUATOR

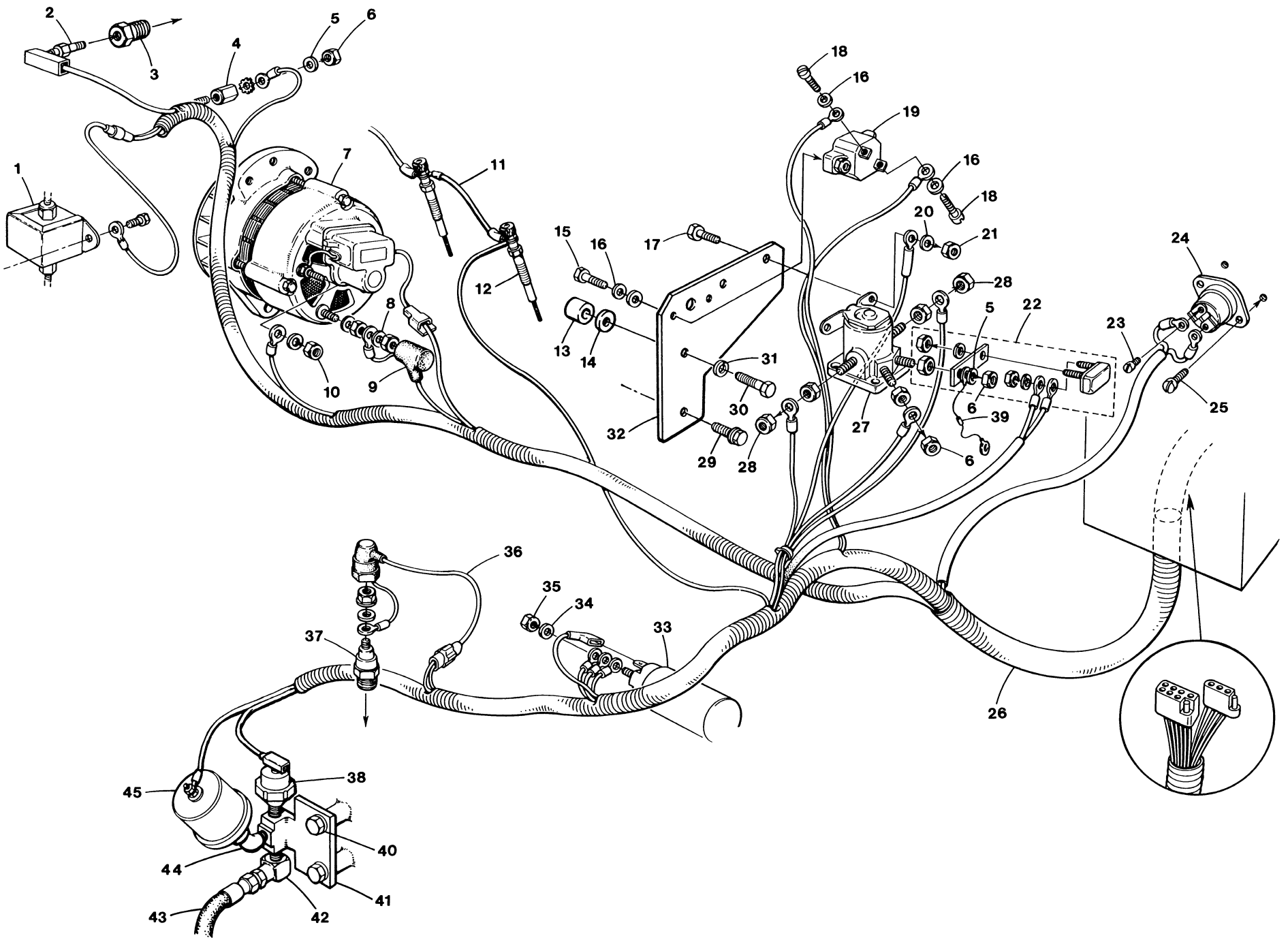
REF	PN	NAME	REMARKS	QUAN
1-1	303007	ACTUATOR	GOVERNOR 12 VDC	1
1-2	039746	ACTUATOR	GOVERNOR 24 VDC	1
2	018804	CAPSCREW	M 6 X 20 DIN 933	4
3	039161	BRACKET	ACTUATOR	1
4	031801	NUT	M 6 DIN 439 JAM	1
5	031875	SCREW	10-32 X 7/8 SS	1
6	303009	CLEVIS	ACTUATOR	1
7	303012	BALLJOINT		2
8	039470	SCREW	10-32 X 1-3/4 SS	1
9	039164	SPACER		1
10	031847	NUT	10-32	3
11	031849	LOCKWASHER	10	3
12	039162	LEVER	THROTTLE EXTENSION	1
13	031871	SCREW	10-32 X 3/8 SS	1
14	039296	ROD	THREADED 10-32 X 1	1
15	015812	NUT	M 6 DIN 934	4
16	031783	LOCKWASHER	M 6 DIN 127	4
17	031786	LOCKWASHER	M 8 DIN 127	2
18	018242	NUT	M 8 DIN 934	2

WESTERBEKE 25.0 BED - BELT GUARD



WESTERBEKE 25.0 BED - BELT GUARD

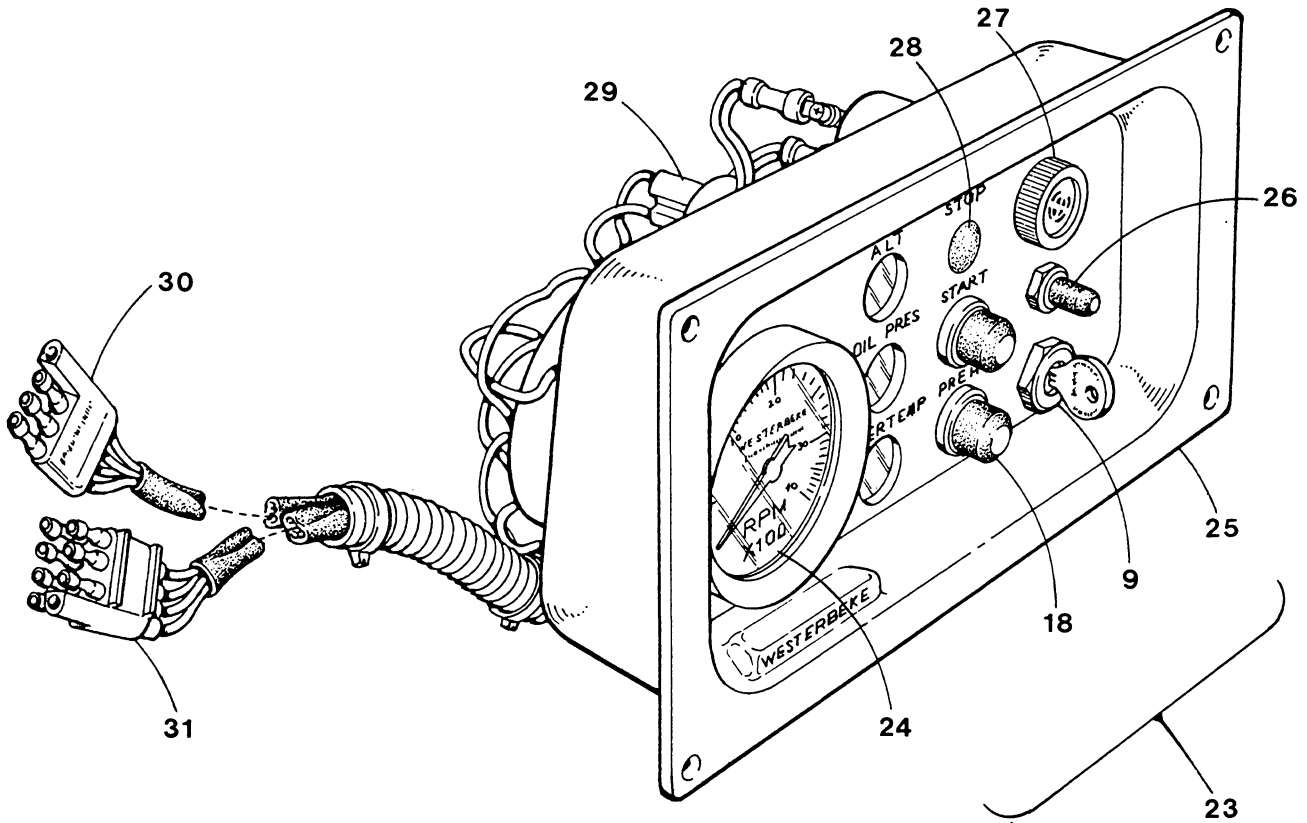
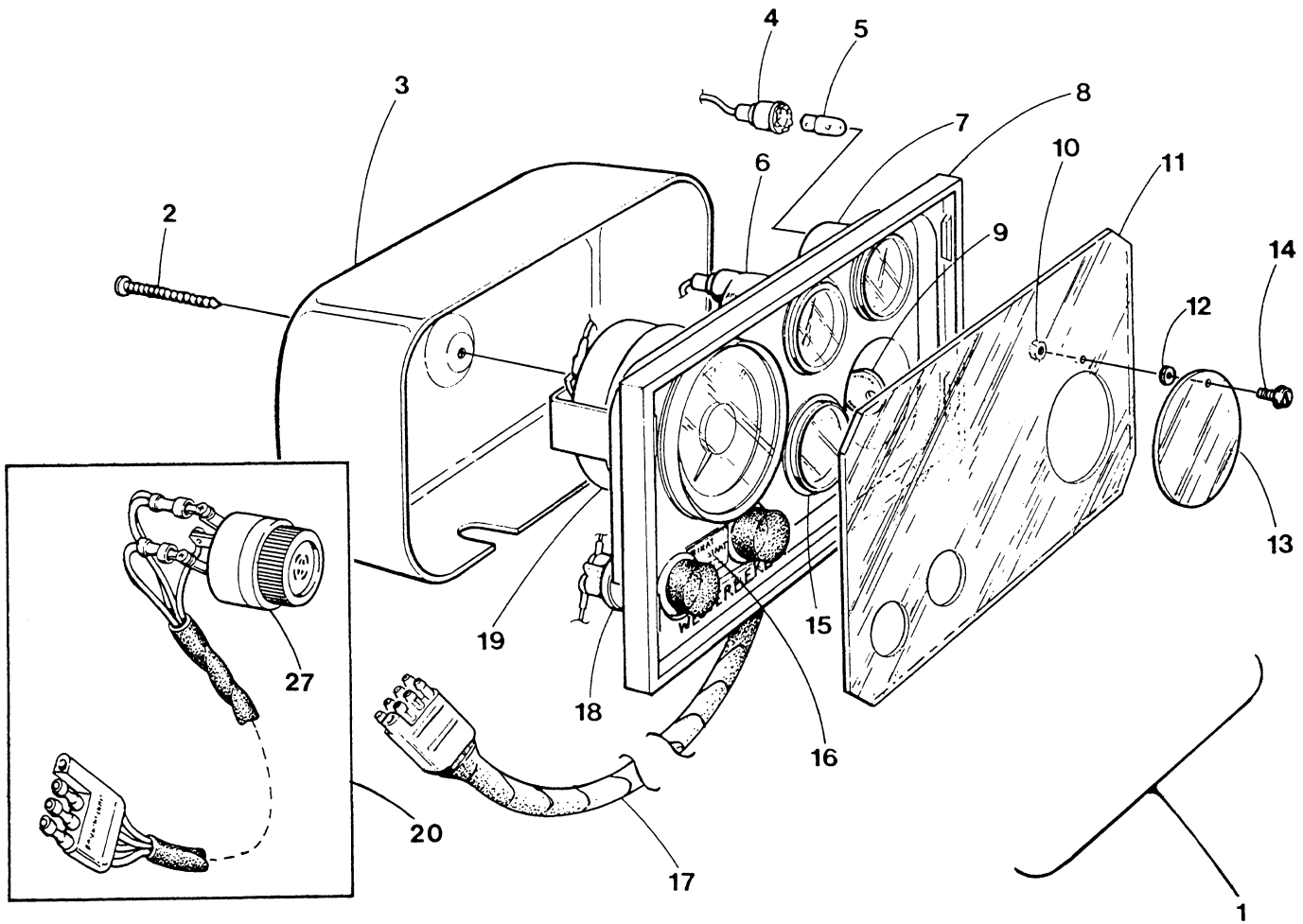
REF	PN	NAME	REMARKS	QUAN
1	033228	WINGSCREW	10-32 X 1/2	3
2	031849	LOCKWASHER	10	3
3	033372	WASHER	FLAT	3
4	039079	GUARD	GENSET BELT	1
5	033380	BRACKET	BELT GUARD	1
6	037827	BRACKET	BELT GUARD	1
7	033380	BRACKET	BELT GUARD	1



WESTERBEKE 82B - 25.0 BED - ELECTRICAL SYSTEM

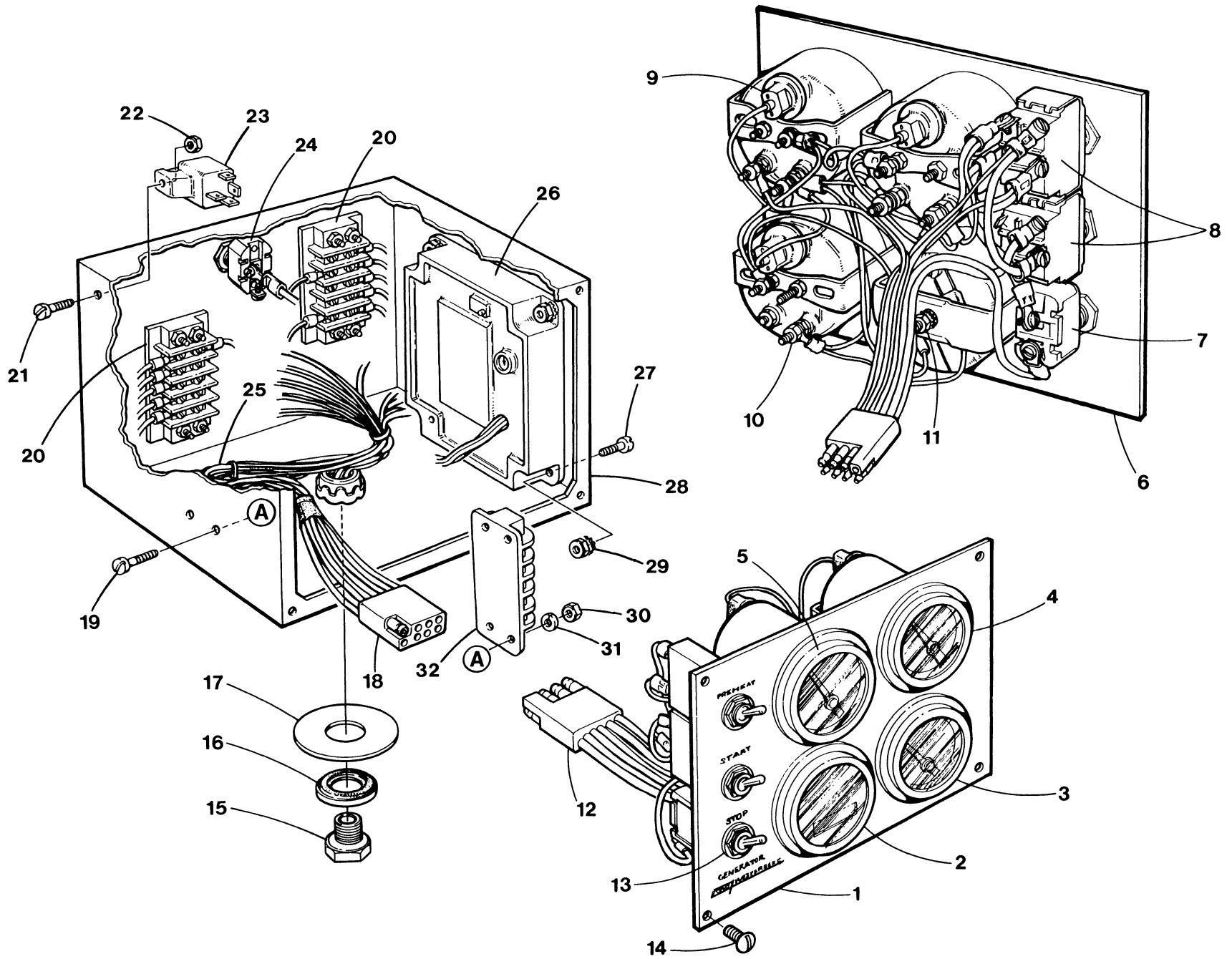
REF	PN	NAME	REMARKS	QUAN
1	039275	PUMP	FUEL LIFT 12 VDC	1
2-1	030125	SWITCH	WATER TEMPERATURE-PROPULSION	1
2-2	039550	SWITCH	WATER TEMPERATURE-GENSET	1
3	037453	BUSHING	1/4NPT TO 1/8NPT-PROPULSION	1
4	035109	SENDER	WATER TEMPERATURE	1
5	031849	LOCKWASHER	10	AR
6	031847	NUT	10-32 HEX SS	AR
7	039790	ALTERNATOR	50 AMP 12 VDC INCLUDING PULLEY	1
8	200120	NUT	1/4NC KEPS	1
9	031086	BOOT		1
10	301904	NUT	10-24 KEPS	3
11	032366	WIRE	GLOWPLUG CONNECTING	3
12	024353	GLOWPLUG	12 VDC	4
13	021722	SPACER	BRACKET TO CYLINDER HEAD	1
14	031789	WASHER	M10 DIN 125	1
15	031866	SCREW	8-32 X 7/8 SS	2
16	031844	LOCKWASHER	8 SS	4
17	031502	CAPSCREW	1/4NC X 5/8	2
18	031861	SCREW	8-32 X 1/4 SS	2
19-1	024683	BREAKER	CIRCUIT 20 AMP 12 VDC	1
19-2	020946	BREAKER	CIRCUIT 10 AMP 24 VDC	1
20	031752	LOCKWASHER	1/4	2
21	031750	NUT	1/4NC	2
22	036563	BREAKER	CIRCUIT 10 AMP	1
23	031911	SCREW	8-32 X 1/4 BRASS	2
24	032923	SWITCH	EXHAUST TEMPERATURE-GENSET	1
25	035711	SCREW	6-32 X 1/4 TAPPING	2
26-1	036605	HARNESS	ENGINE-PROPULSION	1
26-2	039205	HARNESS	GENSET INCLUDED IN PANEL HARNESS ASSY	1
27-1	024639	SOLENOID	PREHEAT 12 VDC	1
27-2	022249	SOLENOID	PREHEAT 24 VDC	1
28	031760	NUT	5/16NF	2
29	033704	CAPSCREW	M10 X 1.25 X 16 JIS-FLANGE	1
30	031083	CAPSCREW	M10 X 1.25 X 30 JIS	1
31	019262	LOCKWASHER	M10 DIN 127	1
32	032270	BRACKET	PREHEAT SOLENOID-CIRCUIT BREAKER	1
33	039523	SOLENOID	STARTER MOTOR 38384 12 VDC	1
34	034575	LOCKWASHER	M10 DIN 127B BRONZE	1
35	032438	NUT	M10 DIN 439 BRASS	1
36	039672	WIRE	SOLENOID INCLUDING BOOT	1
37		SOLENOID	FUEL SHUT-OFF REFER TO FUEL PAGE	1
38	037323	SWITCH	OIL PRESSURE	1
39	039806	RESISTOR	ASSEMBLY-PROPULSION	1
40	024951	CAPSCREW	M10 X 1.25 X 20 DIN 961	2
41	032480	BRACKET	OIL PRESSURE SENDER AND SWITCH	1
42	013340	ELBOW	1/8NPT STREET 90 BRASS	1
43-1	011981	HOSE	OIL	1
43-2	024844	ADAPTER	1/8BSPT TO 1/8NPT-HOSE TO BLOCK	1
44	015122	ELBOW	1/8NPT STREET 45 STEEL	1
45	024132	SENDER	OIL PRESSURE	1
46-1	039144	DIAGRAM	WIRING PROPULSION 12 VDC	1
46-2	039422	DIAGRAM	WIRING GENSET 12 VDC	1

WESTERBEKE 82B FOUR - PROPULSION INSTRUMENT PANELS



WESTERBEKE 82B FOUR - PROPULSION INSTRUMENT PANELS

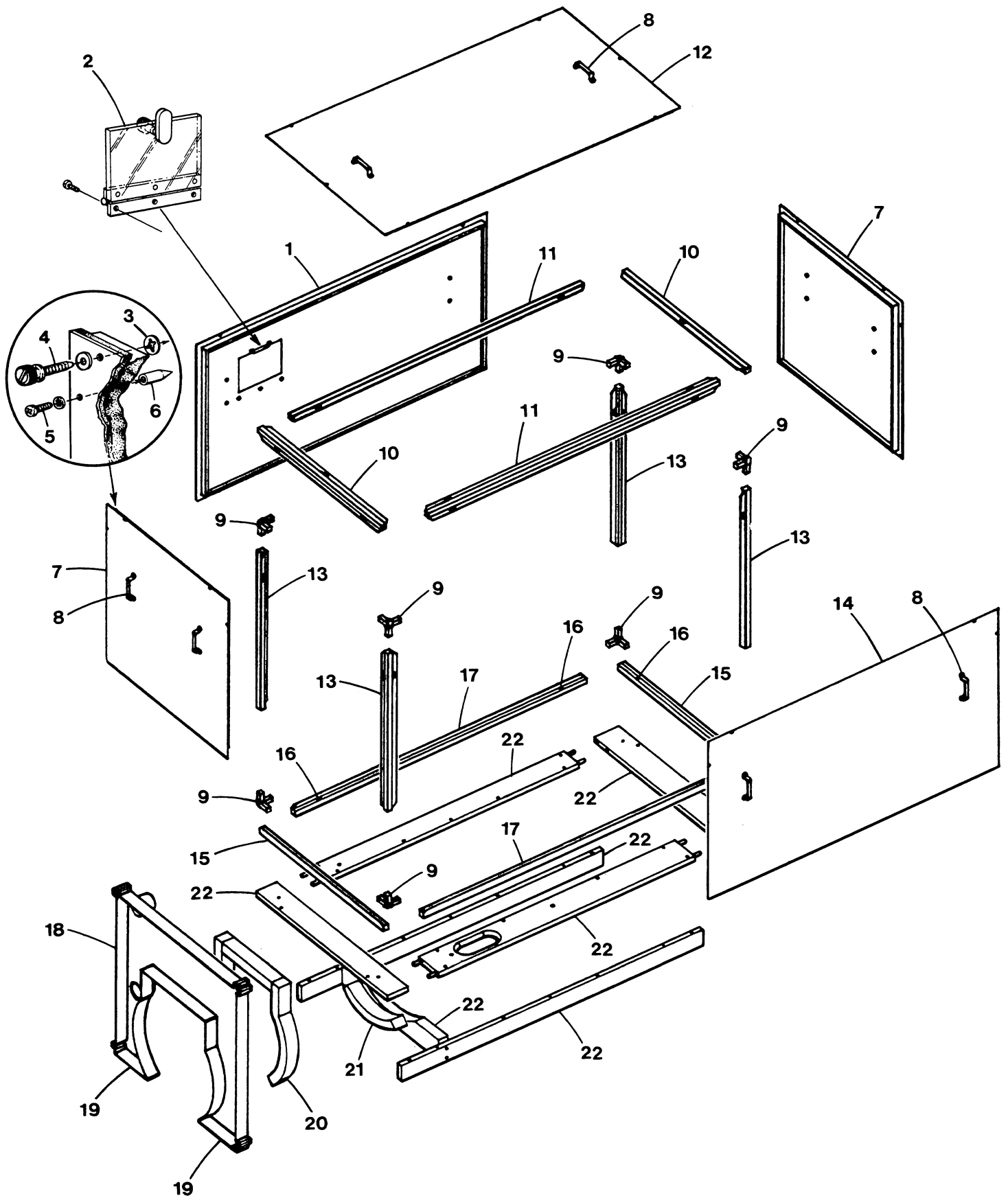
REF	PN	NAME	REMARKS	QUAN
1	036842	PANEL	ADMIRAL INCLUDING ALARM	1
2	030913	SCREW		1
3	030119	COVER	PANEL REAR	1
4	035118	HOLDER	LAMP WEDGE BASE	3
5	035114	LAMP	INSTRUMENT 12 VDC WEDGE BASE	3
6	037601	METER	WATER TEMPERATURE	1
7	037603	METER	OIL PRESSURE 100 PSI	1
8	033865	PANEL	PLATE	1
9	033693	KEYSWITCH	OFF-ON	1
10	030003	NUT	NYLON LOCKING 6-32	1
11	033684	COVER	FACEPLATE	1
12	030002	SPACER	NYLON	1
13	024996	WINDOW	KEYSWITCH COVER	1
14	030001	SCREW	NYLON 6-32 X 1/2 WASHER HEAD	1
15	037605	VOLTMETER	12 VDC	1
16	033682	DECAL	SWITCH IDENTIFICATION	1
17	030148	CABLE	PANEL TO ENGINE 8 PIN	1
18-1	033764	SWITCH	PUSHBUTTON START/PREHEAT	2
18-2	019031	CAP	SWITCH COVER REPLACEMENT	2
19	011917	METER	TACHOMETER-HOUR	1
20	036829	ALARM	ASSEMBLY	1
21	035825	WIRE	LAMP POWER CONNECTION	3
22	039144	DIAGRAM	WIRING ENGINE 12 VDC	1
23	036473	PANEL	CAPTAIN	1
24	036590	METER	TACHOMETER	1
25	036043	PANEL	PLATE	1
26-1	036479	SWITCH	TEST	1
26-2	036490	CAP	SWITCH	1
27	013355	BUZZER	ALARM	1
28	030946	PLUG	NYLON	1
29-1	024947	LAMP	12 VDC	3
29-2	036483	HOLDER	LAMP	3
30	036626	HARNESS	PANEL TO ENGINE 4 PIN	1
31	036627	HARNESS	PANEL TO ENGINE 8 PIN	1
32	036477	ASSEMBLY	TERMINAL-DIODE	1
33	036544	SPACER	TERMINAL-DIODE ASSEMBLY	2
34	036545	SCREW	6-32 X 3/4 TAPPING SS	2
35	036630	DRAWING	TEMPLATE TO INSTALL EITHER PANEL	1



WESTERBEKE 25.0 BED - GENERATOR CONTROL PANEL

REF	PN	NAME	REMARKS	QUAN
1	036539	PANEL	GENERATOR CONTROL REF 2 THRU 13	1
2	036192	HOURLMETER		1
3	037605	VOLTMETER	12 VDC	1
4	037603	METER	OIL PRESSURE 100 PSI	1
5	037601	METER	WATER TEMPERATURE	1
6-1	034485	PLATE	PANEL	1
6-2	035303	COVER	BOX WHEN PANEL IS REMOTE MOUNTED	1
7	024731	SWITCH	STOP	1
8	024732	SWITCH	PREHEAT-START	2
9-1	035114	LAMP	INSTRUMENT WEDGE BASE 12 VDC	3
9-2	035118	HOLDER	LAMP WEDGE BASE	3
9-3	035825	WIRE	LAMP POWER CONNECTION	3
10-1	031900	NUT	10-32 BRASS	AR
10-2	031902	LOCKWASHER	10 BRONZE	AR
11-1	031842	NUT	8-32 SS	2
11-2	031844	LOCKWASHER	8 SS	2
12	036538	HARNESS	PANEL	1
13	031999	RING	TOGGLE SWITCH MOUNT LOCKING	3
14	034421	SCREW	8-32 X 3/8 TRUSS HEAD BLACK SS	4
15	036464	NIPPLE	CHASE WITH BUSHING	1
16	036492	RING	SEALING	1
17	036837	WASHER	REDUCER	1
18	039205	HARNESS	ENGINE	1
19	031855	SCREW	6-32 X 5/8 SS BINDING HEAD	12
20-1	039928	BLOCK	TERMINAL 10 POSITION	2
20-2	039929	MARKER	TERMINAL BLOCK	2
20-3	015222	PLATE	SCREW-TERMINAL BLOCK	6
21	031872	SCREW	10-32 X 1/2 SS	1
22	200125	NUT	10-32 KEPS	1
23-1	037833	RELAY	12 VDC	1
23-2	039858	RELAY	24 VDC	1
24-1	033259	SWITCH	EMERGENCY STOP	1
24-2	033258	BOOT	EMERGENCY STOP SWITCH	1
24-3	033251	LABEL	EMERGENCY STOP SWITCH	1
25	036232	HARNESS	PANEL BOX	1
26-1	303008	CONTROLLER	GOVERNOR 12 VDC	1
26-2	039747	CONTROLLER	GOVERNOR 24 VDC	1
27	031872	SCREW	10-32 X 1/2 SS	4
28-1	039424	ASSEMBLY	BOX AND HARNESS	1
28-2	039368	BOX	GENERATOR CONTROL PANEL	1
29	200125	NUT	10-32 KEPS	4
30	031837	NUT	6-32 HEX SS	12
31	031839	LOCKWASHER	6 SS	12
32-1	050201	BLOCK	TERMINAL	1
32-2	050374	MARKER	TERMINAL BLOCK	1
33	024968	DECAL	GENSET OPERATING INSTRUCTIONS	1

WESTERBEKE 25.0 BED - GENERATOR SOUND GUARD



WESTERBEKE 25.0 BED - GENERATOR SOUND GUARD

REF	PN	NAME	REMARKS	QUAN
1		PANEL	SIDE WITH WINDOW	1
2	037417	WINDOW	ASSEMBLY	1
3	030896	RETAINER	QUICK OPENING SCREW	AR
4	030895	SCREW	QUICK OPENING	AR
5	031940	SCREW	6-32 X 3/8 SEMS PHIL HEAD	AR
6	030775	GUIDE	PANEL ALIGNMENT	AR
7		PANEL	FRONT AND REAR	2
8-1	035720	HANDLE		10
8-2	031937	SCREW	8-32 X 3/8 SEMS PHIL HEAD	20
9	024057	CORNER		8
10	039364	RAIL	END	2
11	039361	RAIL	SIDE	2
12		PANEL	TOP	1
13	039365	POST	CORNER	4
14		PANEL	SIDE	1
15	038969	SKIRT	END	2
16-1	039470	SCREW	10-32 X 1-3/4 SS	8
16-2	031848	WASHER	10 FLAT SS	8
16-3	031907	NUT	10-32 STOP SS	8
17	038968	SKIRT	SIDE	2
18	039356	AIR DAM		1
19-1	039471	SCREW	8 X 1/2 WOOD ROUND HEAD	2
19-2	031843	WASHER	8 FLAT SS	2
20	039408	FOAM	UPPER AIR SEAL - INCHES REQUIRED	48
21	039408	FOAM	LOWER AIR SEAL - INCHES REQUIRED	12
22		BASE	ASSEMBLY	1
23	039425	SCREW	8 X 1-3/4 WOOD FLAT HEAD SS	10
24	039426	SCREW	14 X 4 WOOD FLAT HEAD SS	8
25	030902	HOSE	2-1/2" ID AIR INTAKE - INCHES REQUIRED	25
26	022559	CLAMP	HOSE 40	2

WESTERBEKE 82B - 25.0 BED - MISCELLANEOUS

REF	PN	NAME	REMARKS	QUAN
1-1	039324	KIT A	SPARE PARTS PROPULSION	1
1-2	039326	KIT A	SPARE PARTS GENSET	1
2-1	039325	KIT B	SPARE PARTS EXTENDED CRUISING PROPULSION	1
2-2	039327	KIT B	SPARE PARTS EXTENDED CRUISING GENSET	1
3	039675	GASKET SET	UPPER	1
4	039676	GASKET SET	COMPLETE	1
5	032974	FILTER	PRIMARY FUEL SEPARATOR	1
6	015010	STRAINER	SEA WATER	1
7	033327	VALVE	ANTI-SIPHON	1
8	013758	PAINT	RED AEROSOL SPRAY CAN	1
9	020654	SPLITTER	ALTERNATOR OUTPUT	1
10-1	030760	HARNESS	15 FOOT PANEL EXTENSION 8 PIN	1
10-2	036557	HARNESS	15 FOOT PANEL EXTENSION 4 PIN	1
11	032973	FILTER KIT	REMOTE LUBE OIL	1
12	032133	SWITCH	GENERATOR SHIP-SHORE 3 WIRE 60HZ	1
13	033094	KIT	FUEL HARDWARE	1
14-1	038922	MANUAL	OPERATOR 63B-71B-82B-108B	1
14-2	039685	MANUAL	OPERATOR 20.0-25.0 BED	1
15	040485	MANUAL	TECHNICAL	1
16	037306	MUFFLER	HYDRO-HUSH FIBREGLASS	1
17	024177	KIT	REMOTE FRESH WATER SURGE TANK	1