



**Parts List**  
**M-30, 5424**

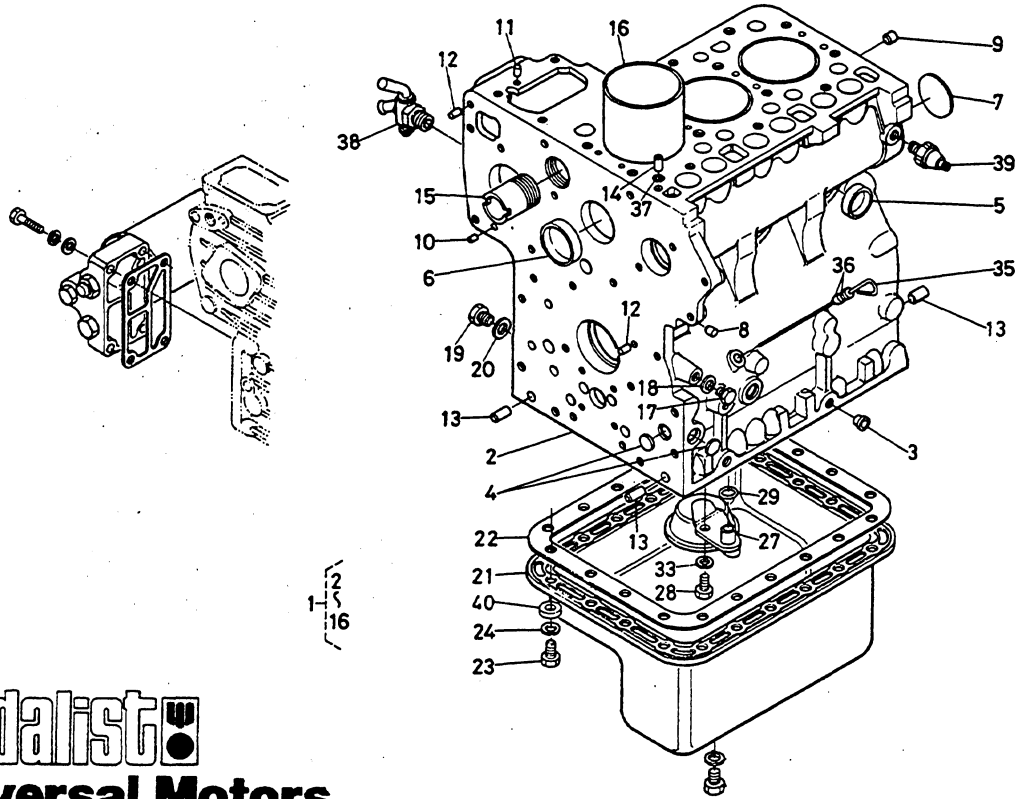
Part number 200143  
Edition 1  
October, 1993



CRANKCASE GROUP-GASKET SET . . . . .	1 - 2
CYLINDER HEAD GROUP . . . . .	3
GEAR CASE GROUP . . . . .	4 - 5
BEARING CASE GROUP . . . . .	6 - 7
HEAD COVER GROUP . . . . .	8
BREATHER GROUP . . . . .	9
CAMSHAFT GROUP . . . . .	10 -11
VALVE, ROCKER ARM GROUP . . . . .	12
PISTON CRANKSHAFT GROUP . . . . .	13
FLYWHEEL GROUP . . . . .	14
NOZZLE HOLDER GROUP . . . . .	15
FUEL CAMSHAFT GROUP . . . . .	16 -17
SPEED CONTROL PLATE GROUP . . . . .	18 -19
GOVERNOR GROUP . . . . .	20
NOZZLE HOLDER GROUP . . . . .	21
INJECTION PUMP GROUP . . . . .	22
STARTER GROUP . . . . .	23 -24
OIL FILTER GROUP . . . . .	25
WATER PUMP GROUP - CIRCULATING . . . . .	26
WATER PUMP - RAW WATER . . . . .	26A
FUEL FILTER GROUP . . . . .	27
AIR CLEANER GROUP . . . . .	28
ENGINE MOUNT GROUP . . . . .	29
TRANSMISSION GROUP . . . . .	30
COUPLINGS . . . . .	31
THROTTLE LINKAGE CONTROL GROUP . . . . .	32
DYNAMO GROUP . . . . .	33
EXHUAST MANIFOLD GROUP . . . . .	34
COOLING SYSTEM GROUP . . . . .	35 -35A
GASKET SET; SPARE PARTS KIT; INSTRUMENT PANEL . . . . .	36



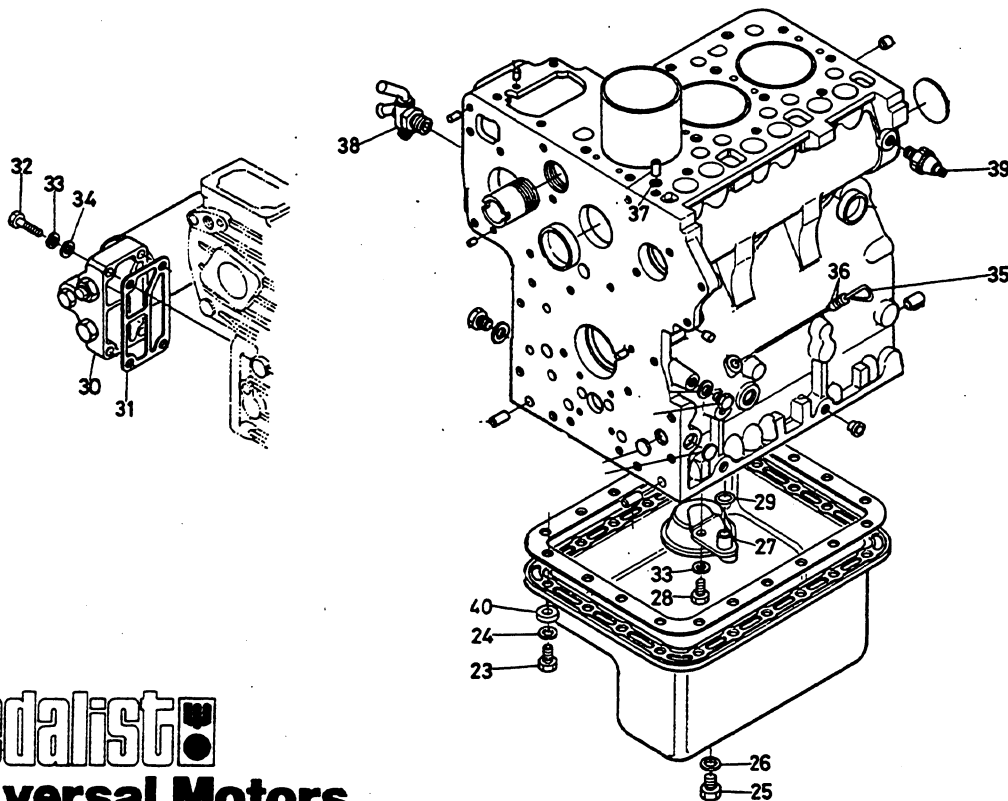
# CRANKCASE GROUP



**medalist**  
**Universal Motors**

ITEM	PART NO.	DESCRIPTION	UNIT
1	298855	Crankcase Assembly	1
2		Crankcase	1
3		Plug	5
4		Plug Expansion	3
5	299897	Cap, Sealing	5
6	299958	Cap, Sealing	2
7		Plug, Expansion	1
8		Plug, Pin	5
9		Plug, Pin	1
10		Pin, Straight	2
11		Pin, Straight	2
12		Pin, Straight	2
13		Pin, Straight	3
14		Pin, Pipe	1
15	302401	Pipe, Water	1
16	298856	Liner, Cylinder	3
17	298658	Plug	1
18	298659	Gasket	1
19	298660	Plug	1
20	298654	Gasket	1
21	298858	Oil Pan	1
22	298859	Oil Pan Gasket	1
23	299965	Bolt	20
24	299511	Washer, Spring	20

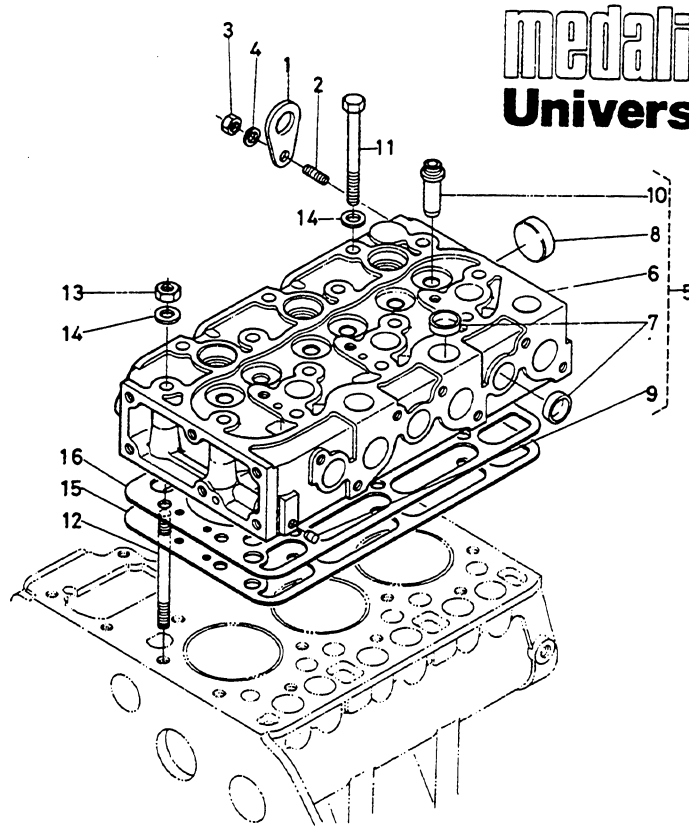
# CRANKCASE GROUP



**medalist**  
**Universal Motors**

ITEM	PART NO.	DESCRIPTION	UNIT
25	<del>298653</del>	Plug 299370	1
26		Gasket	1
27	<del>298656</del>	Oil Filter 298852	1
28	301548	Bolt	1
29	298657	O Ring	1
30	298860	Oil Filter Assembly	1
31	298655	Gasket	1
32		Bolt	4
33	301497	Washer, Spring	5
34		Washer, Plain	4
35	298661	Dipstick (OLD STYLE DIRECT IN BLOCK)	1
36	298662	O Ring	2
37	<del>x298665</del>	O Ring 299362	1
38	298664	Drain Cock	1
39	298663	Oil Switch	1
40	299993	Washer, Plain	20
41	301918		
42			
43	256737	Gasket Set	1
44			
45			
46			
47			
35 -	<del>x48</del> 300723	NEW STYLE DIPSTICK (USES 300722 TUBE) ALSO	

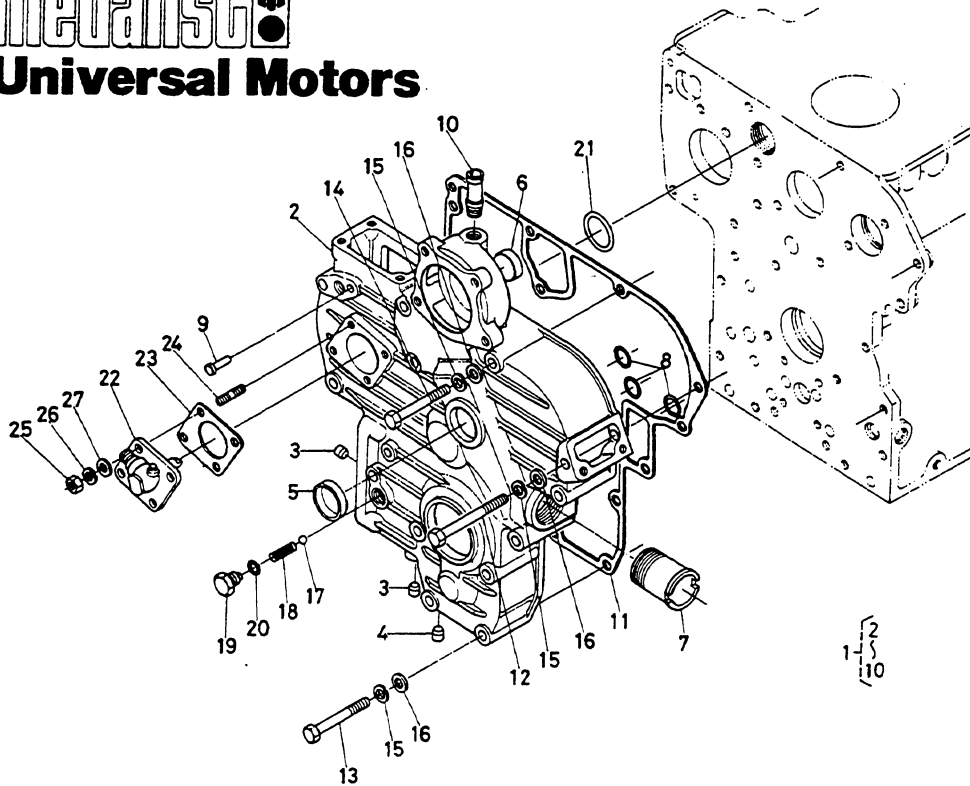
# CYLINDER HEAD GROUP



ITEM	PART NO.	DESCRIPTION	UNIT
1	298666	Hook, Engine	2
2		Stud	2
3		Nut	2
4		Washer, Spring	2
5	298861	Cylinder Head Assembly	1
6		Cylinder Head	1
7	299898	Cap, Sealing	9
8	299355	Cap, Sealing	1
9		Plug, Pin	2
10	299555	Guide, Valve	6
11	298668	Bolt, Cylinder Head	12
12	298669	Stud, Cylinder Head	2
13	<del>298670</del>	Nut, Cylinder Head 298670	2
14	298671	Washer, Plain	14
15	298862	Gasket, Cylinder Head	1
16	298863	Shim, Cylinder Head Gasket	1
17			
18			
19			
20			
21			
22			
23			
24			

# GEAR CASE GROUP

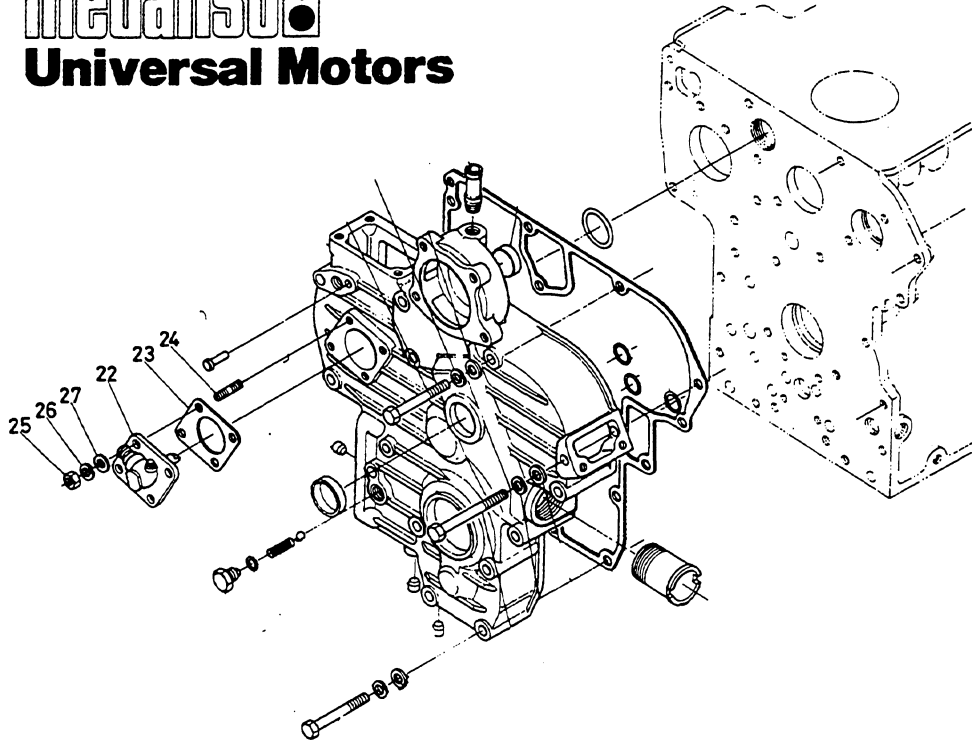
**medalist**  
**Universal Motors**



ITEM	PART NO.	DESCRIPTION	UNIT
1	298674	Gear Case Assembly	1
2		Gear Case	1
3	200247	Plug, Pin	2
4	200246	Plug, Pin	1
5	299907	Cap, Sealing	1
6	299906	Cap, Sealing	1
7	302401	Pipe, Water	1
8	299559	O Ring	3
9		Pin, Start Spring	1
10		Pipe, Water Return	1
11	298675	Gasket, Gear Case (301456 NEW STYLE)	1
12		Bolt	1
13	298676	Bolt	10
14		Bolt	3
15		Washer, Spring	14
16		Washer, Plain	14
17	298677	Ball	1
18	298678	Spring	1
19	298679	Cap	1
20	298680	O Ring	1
21	298681	O Ring	1
22		Hour Meter Assembly	1
23	298485	Gasket	1
24	298683	Stud	4

# GEAR CASE GROUP

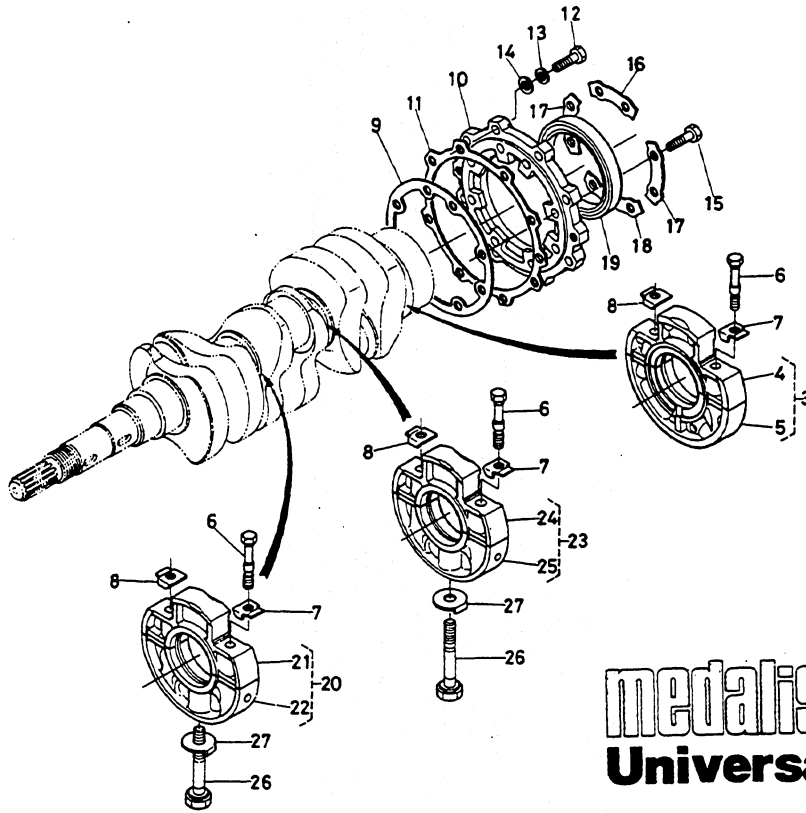
**medalist**  
**Universal Motors**



ITEM	PART NO.	DESCRIPTION	UNIT
25	298684	Nut	4
26		Washer, Spring	4
27		Washer, Plain	4
28	298477-B	Adaptor Plate	1
29			
30			
31			
32			
33			
34			
35			
36			
37			
38			
39			
40			
41			
42			
43			
44			
45			
46			
47			
48			



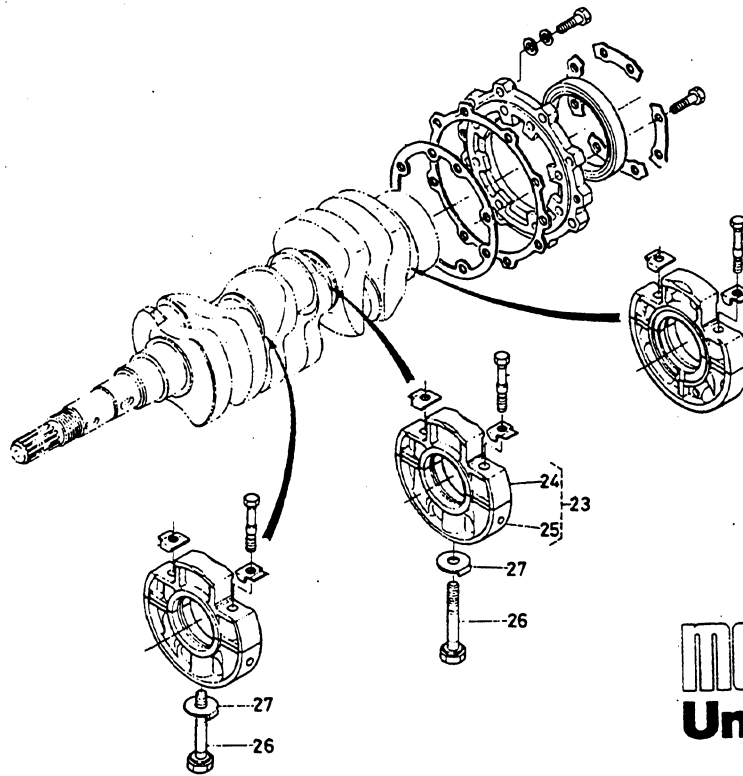
# BEARING CASE GROUP



P/N 301035 IS OVERSIZED REAR OIL SEAL WITH CRANK WEAR RING.

ITEM	PART NO.	DESCRIPTION	UNIT
1			
2			
3	298685	Bearing Case Assembly	1
4		Case, Main Bearing - 1	1
5		Case, Main Bearing - 2	1
6	298686	Bolt - 1	6
7	298687	Washer, Lock - 1	3
8	298688	Washer, Lock - 2	3
9	298689	Gasket	1
10	298690	Cover, Bearing	1
11	298691	Gasket, Cover	1
12		Bolt	8
13		Washer, Spring	8
14		Washer, Plain	8
15		Bolt	8
16	298692	Washer, Cover - 1	1
17	298693	Washer, Cover - 2	2
18	298694	Washer, Cover - 3	1
19	298695	Seal - Oil	1
20	298696	Case Bearing Assembly - 1	1
21		Case, Bearing 1-1	1
22		Case, Bearing 1-2	1
23	300963	Case Bearing Assembly - 2	1
24		Case Bearing 2-1	1

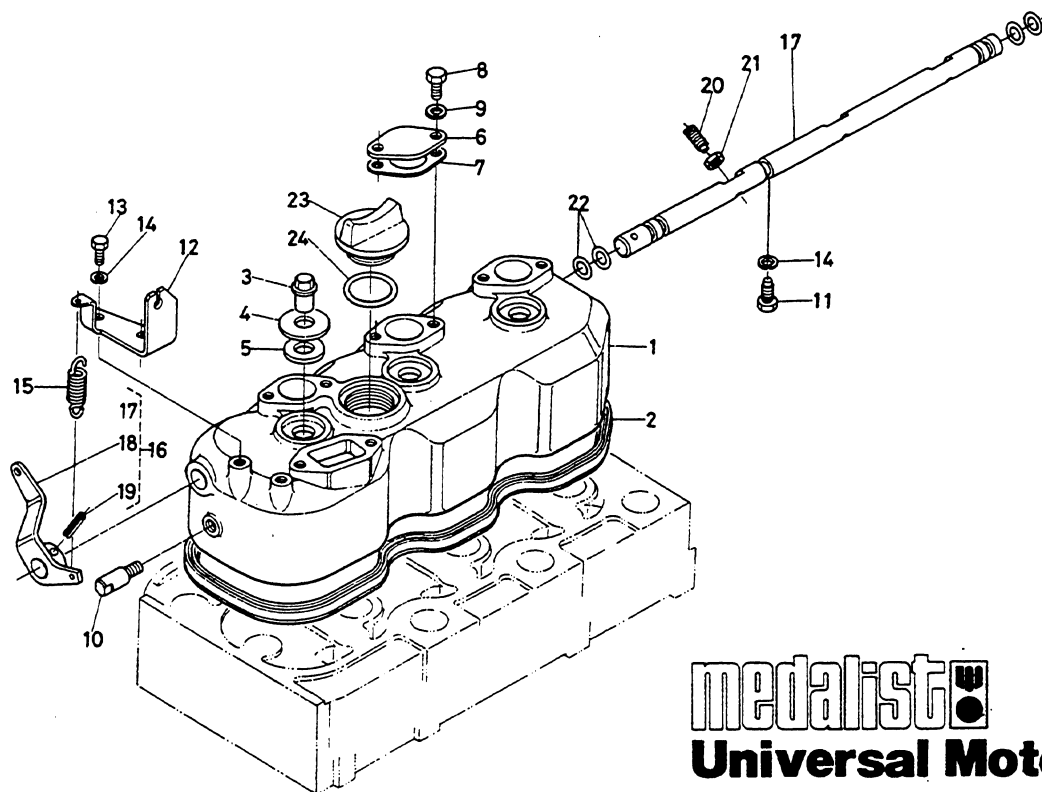
# BEARING CASE GROUP



**medalist**  
**Universal Motors**

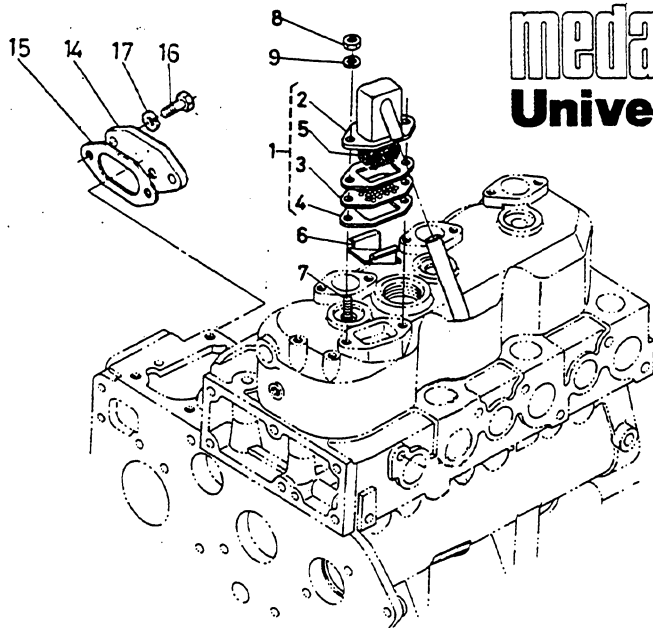
ITEM	PART NO.	DESCRIPTION	UNIT
25		Case Bearing 2-2	1
26	298697	Bolt - 2	2
27	298698	Washer, Lock - 3	2
28			
29			
30			
31			
32			
33			
34			
35			
36			
37			
38			
39			
40			
41			
42			
43			
44			
45			
46			
47			
48			

# HEAD COVER GROUP



ITEM	PART NO.	DESCRIPTION	UNIT
1	298868	Cylinder Head Cover	1
2	298869	Gasket, Head Cover	1
3	298726	Nut, Head Cover	3
4	298727	Washer, Head Cover	3
5	298728	Gasket, Nut	3
6	298729	Cover, Decompression Hole	3
7	298730	Gasket, Cover	3
8		Bolt	6
9		Washer, Spring	6
10	298731	Stopper, Decompression	1
11	298732	Bolt	1
12	298733	Holder, Decompression Wire	1
13		Bolt	2
14		Washer, Spring	3
15	298734	Spring, Decompression	1
16	298870	Decompression Shaft Assembly	1
17		Shaft, Decompression	1
18		Lever, Decompression	1
19		Pin, Spring	1
20	298736	Bolt, Decompression	3
21	298737	Nut, Decompression	3
22	298738	O Ring	4
23	298739	Plug, Oil Filter	1
24	298740	O Ring	1

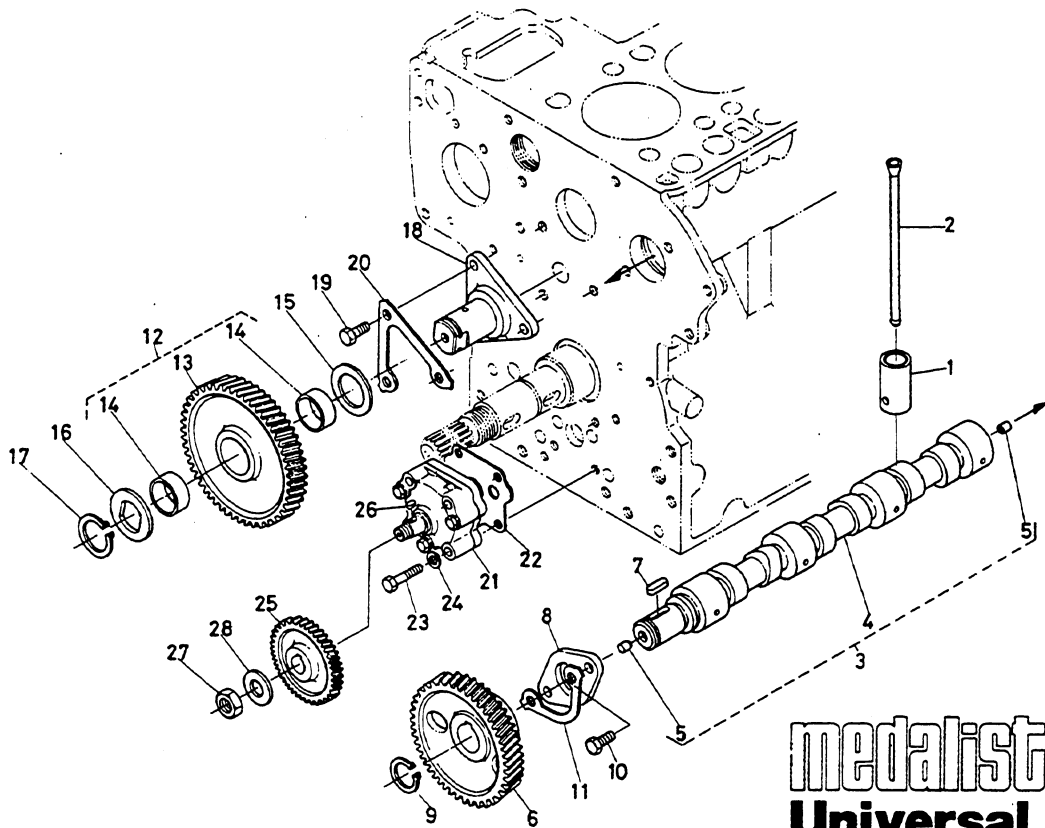
# BREATHER GROUP



**medalist**  
**Universal Motors**

ITEM	PART NO.	DESCRIPTION	UNIT
1		Breather Assembly	1
2	298699	Breather	1
3	298700	Plate, Element	1
4	298701	Gasket, Cover	2
5	298702	Element, Breather	1
6	298703	Oil Shield, Breather	1
7		Stud	2
8		Nut	2
9		Washer, Spring	2
10	298704	Hose, Breather	1
11			
12			
13			
14		Cover	1
15		Packing, Cover	1
16		Bolt	2
17		Washer, Spring	2
18			
19			
20			
21			
22			
23			
24			

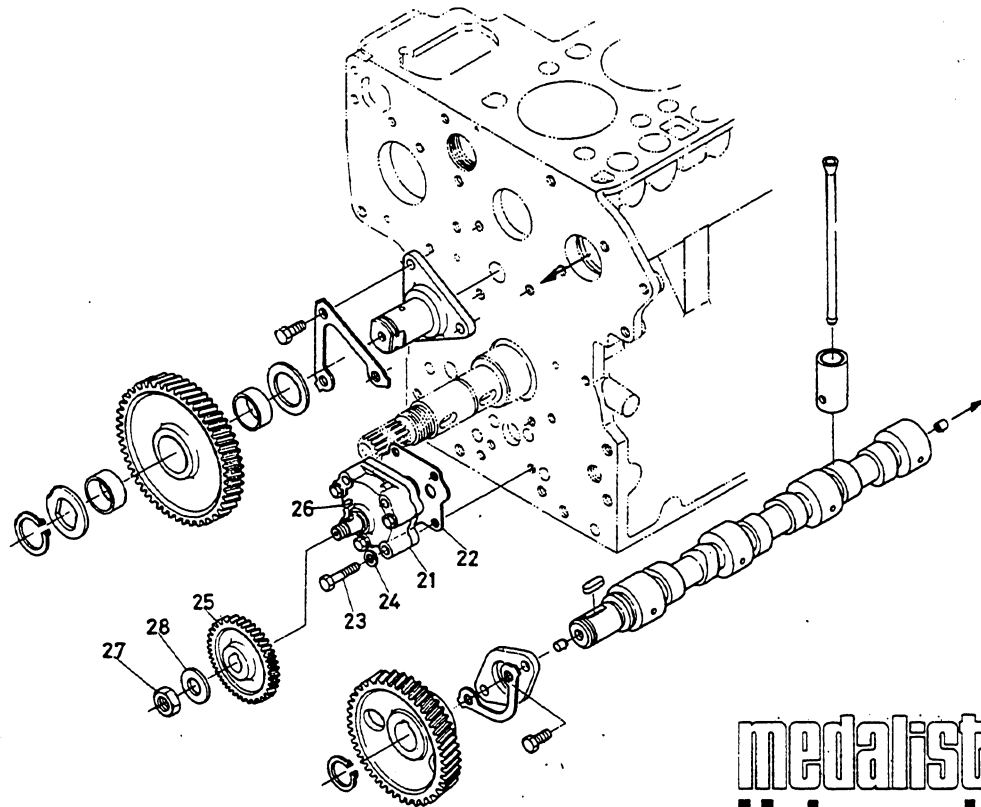
# CAMSHAFT GROUP



**medalist**  
**Universal Motors**

ITEM	PART NO.	DESCRIPTION	UNIT
1	298741	Tappet	6
2	298742	Rod, Push	6
3		Camshaft Assembly	1
4	298871	Camshaft	1
5	298744	Plug, Pin	2
6	298745	Gear, Camshaft	1
7	298746	Key, Feather	1
8	298747	Stopper, Camshaft	1
9	298748	Cir-Clip, External	1
10		Bolt	2
11	298749	Washer, Stopper	1
12	298750	Idler Gear Assembly	1
13		Gear, Idle	1
14		Bushing, Idle Gear	2
15	298751	Collar 1, Idle Gear	1
16	298752	Collar 2, Idle Gear	1
17	298753	Cir-Clip, Idle Gear	1
18	298754	Shaft, Idle Gear	1
19		Bolt	3
20	298755	Washer, Idle Gear Shaft	1
21	298872	Oil Pump Assembly	1
22	298756	Gasket, Oil Pump	1
23		Bolt	4
24		Washer, Spring	4

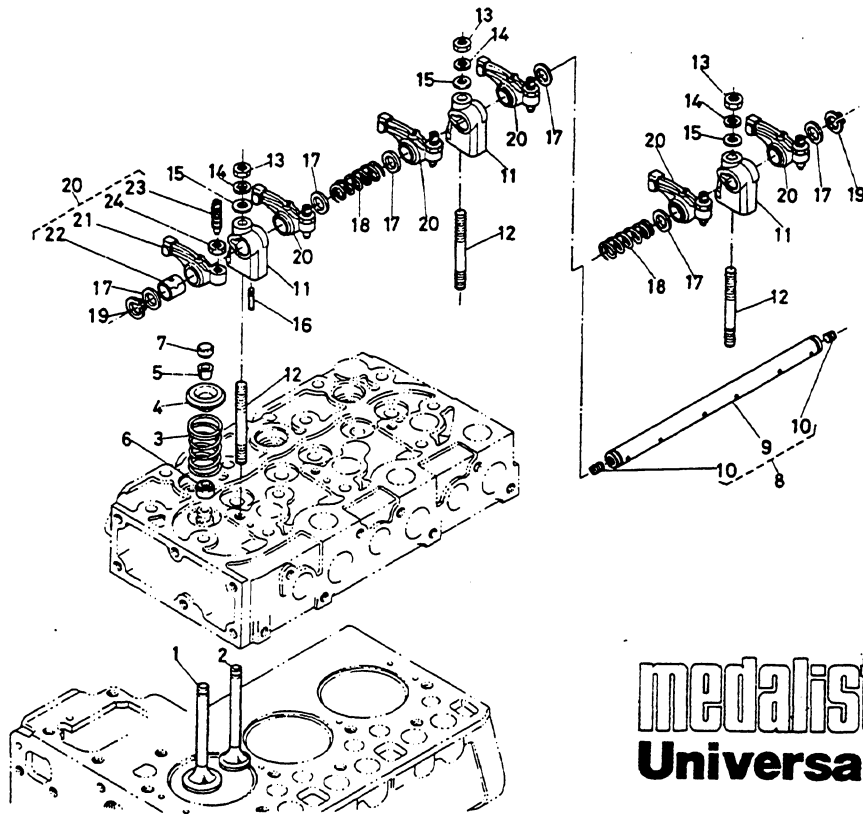
# CAMSHAFT GROUP



**medalist**  
**Universal Motors**

ITEM	PART NO.	DESCRIPTION	UNIT
25	298757	Gear, Oil Pump Drive	1
26	298758	Key, Feather	1
27	298759	Nut	1
28	298760	Washer	1
29			
30			
31			
32			
33			
34			
35			
36			
37			
38			
39			
40			
41			
42			
43			
44			
45			
46			
47			
48			

# VALVE, ROCKER ARM GROUP

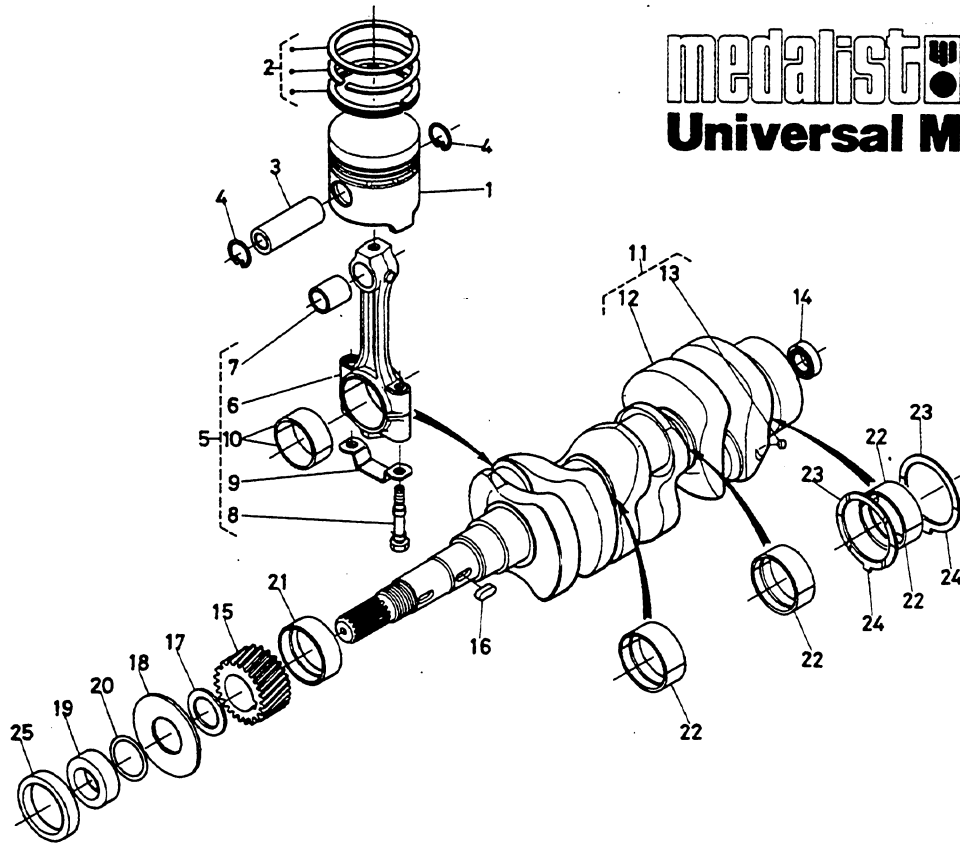


**medalist**  
**Universal Motors**

ITEM	PART NO.	DESCRIPTION	UNIT
1	298709	Inlet Valve	3
2	298710	Exhaust Valve	3
3	298711	Spring, Valve	6
4	298712	Retainer, Valve Spring	6
5	298713	Collet, Valve Spring	12
6	298714	Seal, Valve Stem	6
7	298715	Cap, Valve	6
8	298867	Rocker Arm Shaft Assembly	1
9		Shaft, Rocker Arm	1
10		Screw, Set	2
11	298717	Bracket, Rocker Arm	3
12	298718	Stud	3
13		Nut	3
14		Washer, Spring	3
15		Washer, Plain	3
16	298719	Screw, Set	1
17	298720	Washer	6
18	298721	Spring, Rocker Arm	2
19	298722	Cir-Clip, External	2
20	298723	Rocker Arm Assembly	6
21		Rocker Arm	1
22		Bush	1
23		Screw, Adjusting	1
24		Nut	1

# PISTON, CRANKSHAFT GROUP

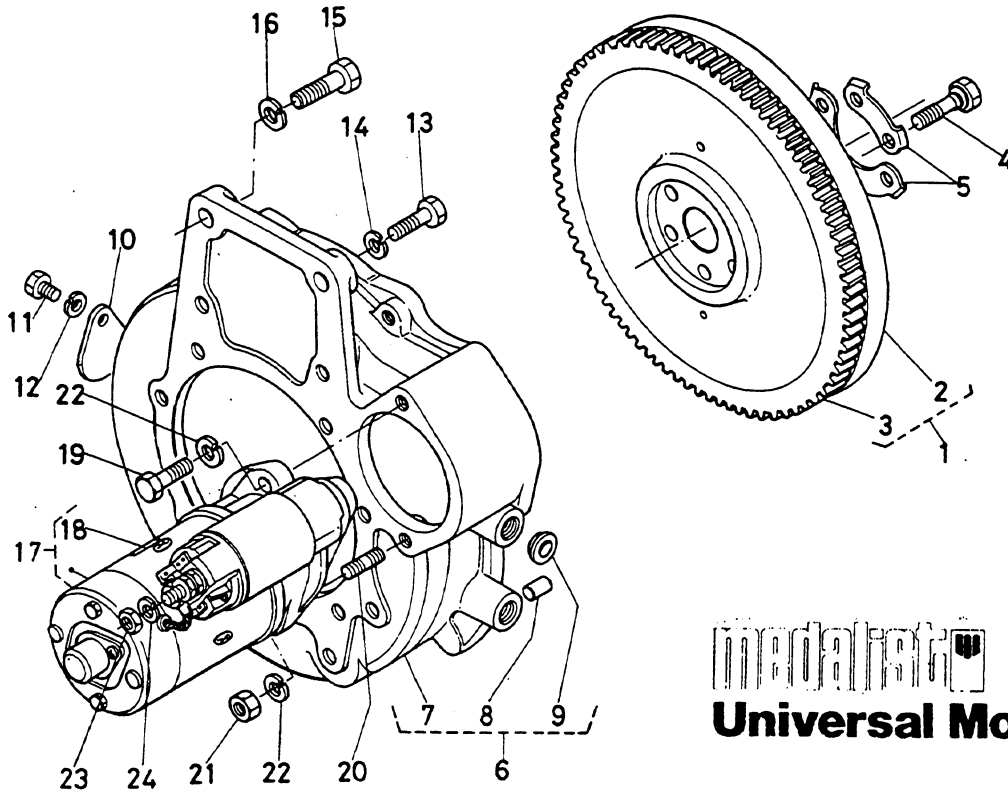
**medalist**  
**Universal Motors**



ITEM	PART NO.	DESCRIPTION	UNIT
1	298762	Piston	3
2	298763	Piston Ring Assembly	3
3	298764	Piston Pin	3
4	298765	Cir-Clip, Piston Pin	6
5	298766	Connecting Rod Assembly	3
6		Connecting Rod	1
7	301143	Bushing, Piston Pin	1
8	300014	Bolt, Connecting Rod	2
9		Washer, Rod Bolt	1
10	298767	Rod Bearing (301039 - .4MM)	<del>XX</del> 3
11	298873	Crankshaft Assembly	1
12		Crankshaft	1
13		Plug, Pin	3
14		Bearing Ball	1
15	298769	Gear, Crankshaft	1
16	298746	Key, Feather	1
17	298770	Collar, Crank-Gear	1
18	298771	Oil Slinger	1
19	298772	Collar, Crankshaft	1
20	298773	O Ring	1
21	298775	Metal, Crankshaft	1
22	298776	Metal, Crankshaft	6
23	298777	Metal, Side	2
24	298778	Metal, Side	2
25	298774	Oil Seal	1

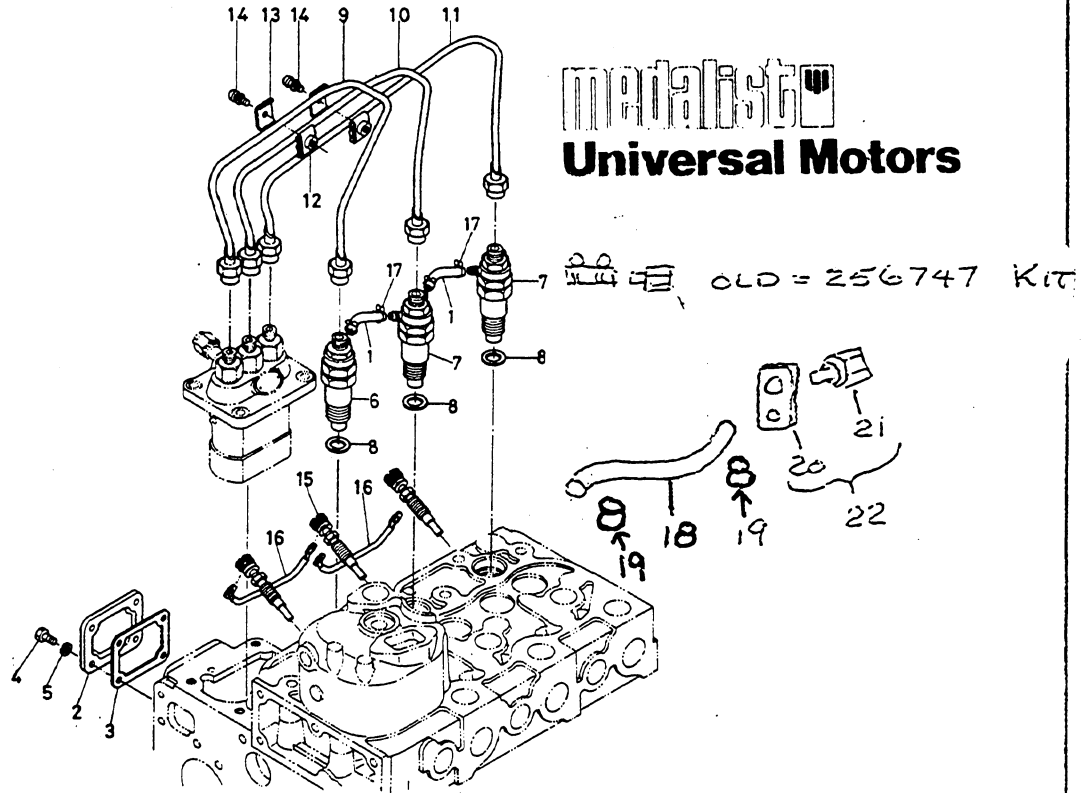


# FLYWHEEL GROUP



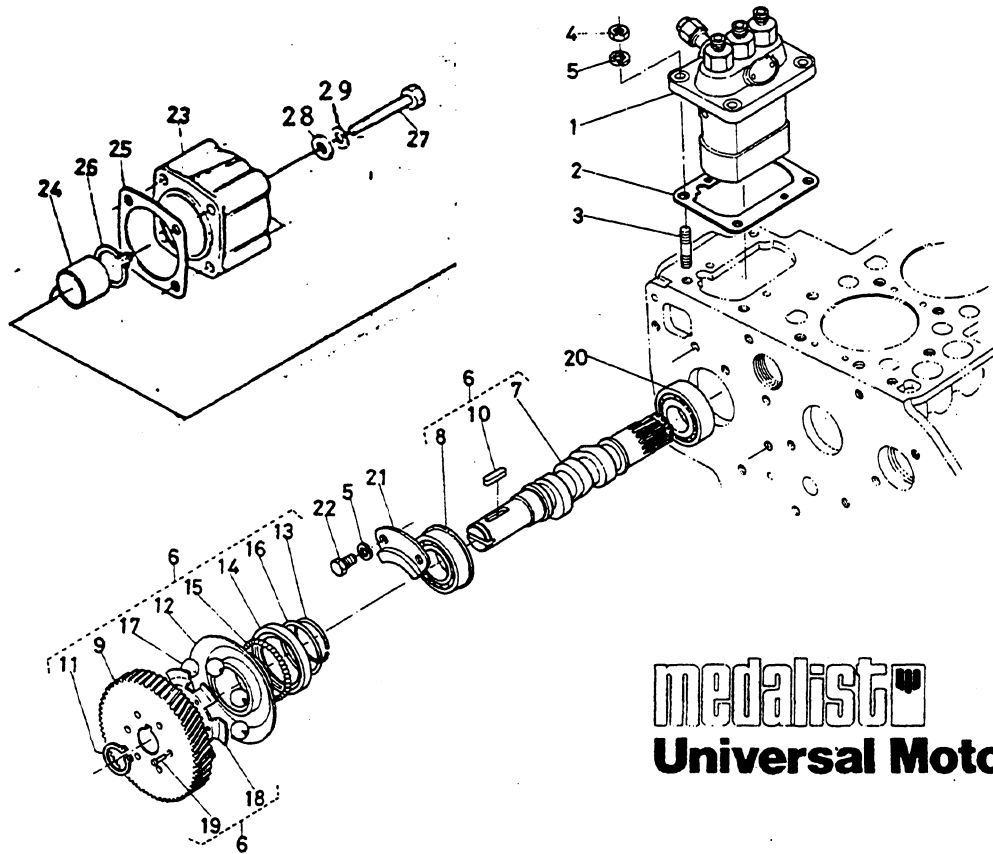
ITEM	PART NO.	DESCRIPTION	UNIT
1	298874	Flywheel Assembly	1
2		Flywheel	1
3		Gear, Ring	1
4	298780	Bolt, Flywheel	6
5	298781	Washer, Flywheel	3
6	298875	Flywheel Housing Assembly	1
7		Housing, Flywheel	1
8		Pin, Straight	2
9		Plug	4
10		Cover	1
11		Bolt	1
12		Washer, Spring	1
13		Bolt	11
14		Washer, Spring	11
15		Bolt	2
16		Washer, Spring	2
17	298876	Starter Assembly	1
18		Mark, From	1
19		Bolt	1
20		Stud	1
21		Nut	1
22		Washer, Spring	2
23		Nut	1
24		Washer, Spring	1

# NOZZLE HOLDER GROUP



ITEM	PART NO.	DESCRIPTION	UNIT
1	298784	Pipe, Fuel Overflow	2
2	298785	Cover, Injection Pump	1
3	298786	Gasket, Pump Cover	1
4		Bolt	4
5		Washer, Spring	4
6	298787	Nozzle Holder Assembly	1
7	298788	Nozzle Holder Assembly	2
8	298789	Gasket	3
9	298790	Pipe, Injection	1
10	298791	Pipe, Injection	1
11	298877	Pipe, Injection	1
12	298792	Clamp, Pipe	2
13	298793	Clamp, Pipe	2
14	298794	Screw, With Washer	2
15	298795	Glow Plug	3
16	298796	Cord, Glow Plug	2
17	298797	Clip, Pipe	4
18	299831	HOSE, FUEL RETURN	1
19	298605	HOSE CLIP	2
20	299828	MOUNTING BRACKET	1
21	299829	CONNECTOR, FUEL HOSE	1
22	299830	FUEL RETURN ASSY #20 & #21	1
23			
24			

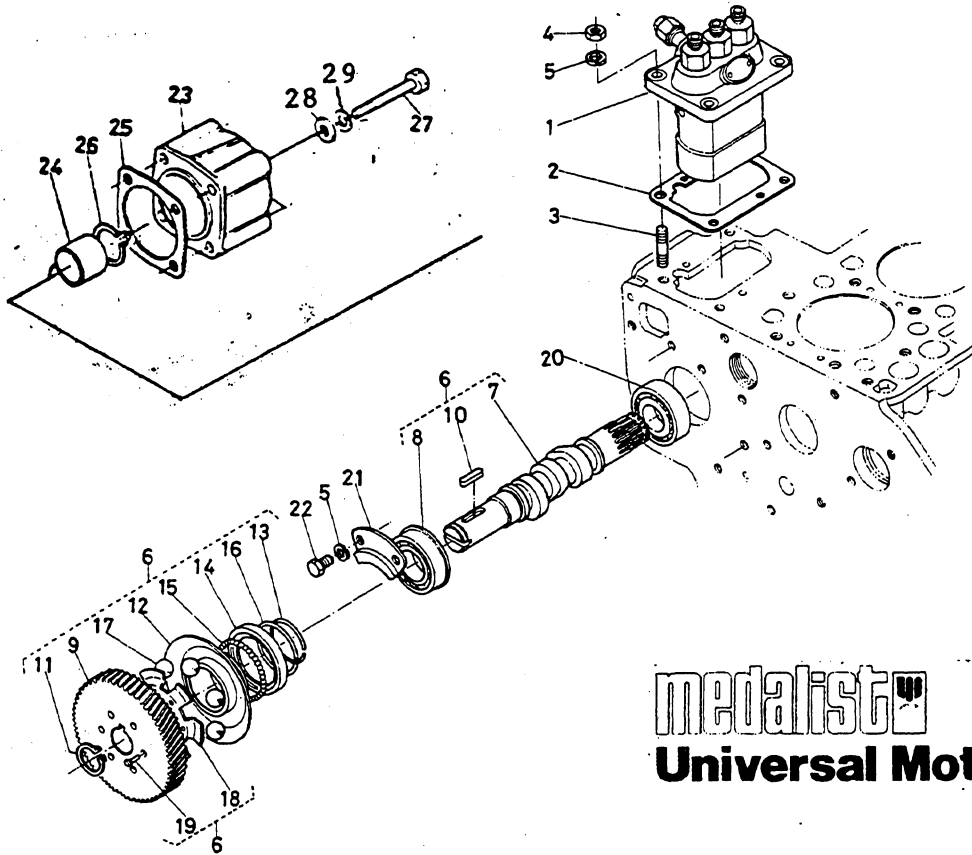
# FUEL CAMSHAFT GROUP



**medalist**  
**Universal Motors**

ITEM	PART NO.	DESCRIPTION	UNIT
1	298878	Injection Pump Assembly	1
2	298879	Shim, Injection Pump	5
3		Stud	4
4		Nut	4
5		Washer, Spring	6
6		Fuel Camshaft Assembly	1
7	298880	Camshaft, Fuel	1
8	298811	Bearing, Ball	1
9	298800	Gear, Injection Pump	1
10	298801	Key, Feather	1
11	298810	Cir-Clip, External	1
12	298802	Sleeve, Governor	1
13	298803	Cir-Clip, Sleeve	1
14	298804	Case, Governor Ball	1
15	298805	Ball	39
16	298806	Cir-Clip, Ball Case	1
17	298807	Ball	6
18	298808	Guide, Governor Ball	1
19	298809	Rivet	6
20		Bearing, Ball	1
21	298812	Stopper, Camshaft	1
22		Bolt	2
23	298813	Cover, Fuel Camshaft	1
24	298815	Collar	1

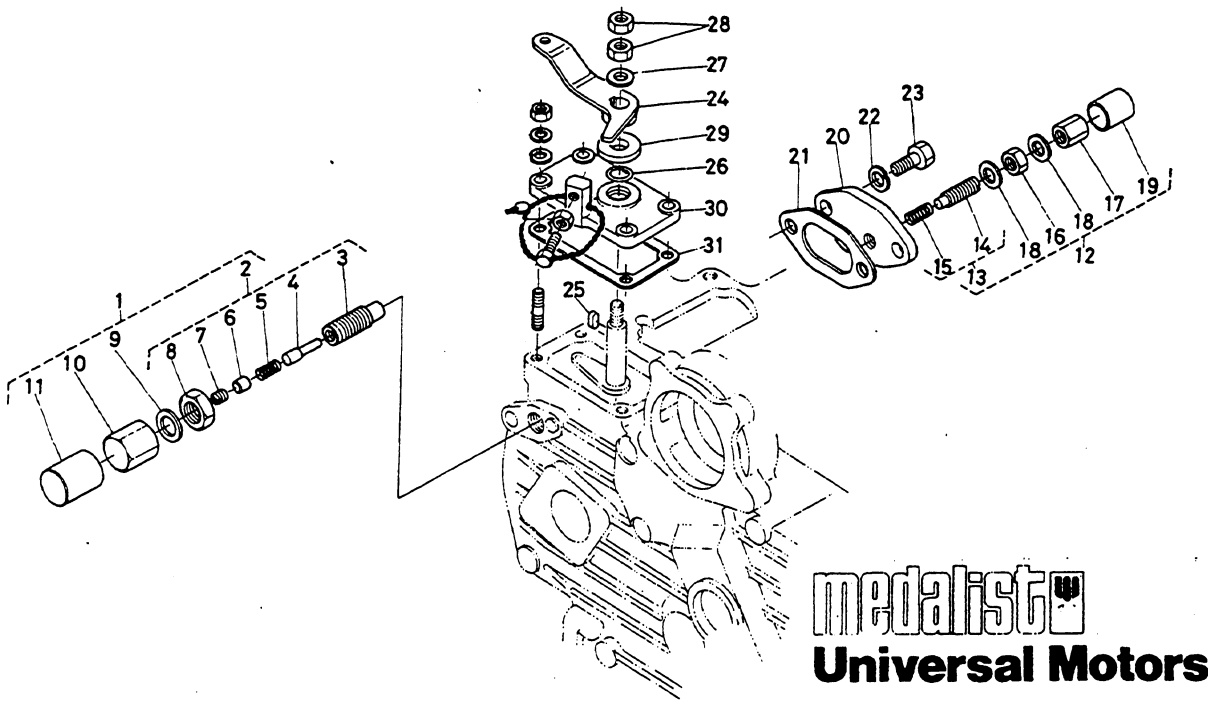
# FUEL CAMSHAFT GROUP



**medalist**  
**Universal Motors**

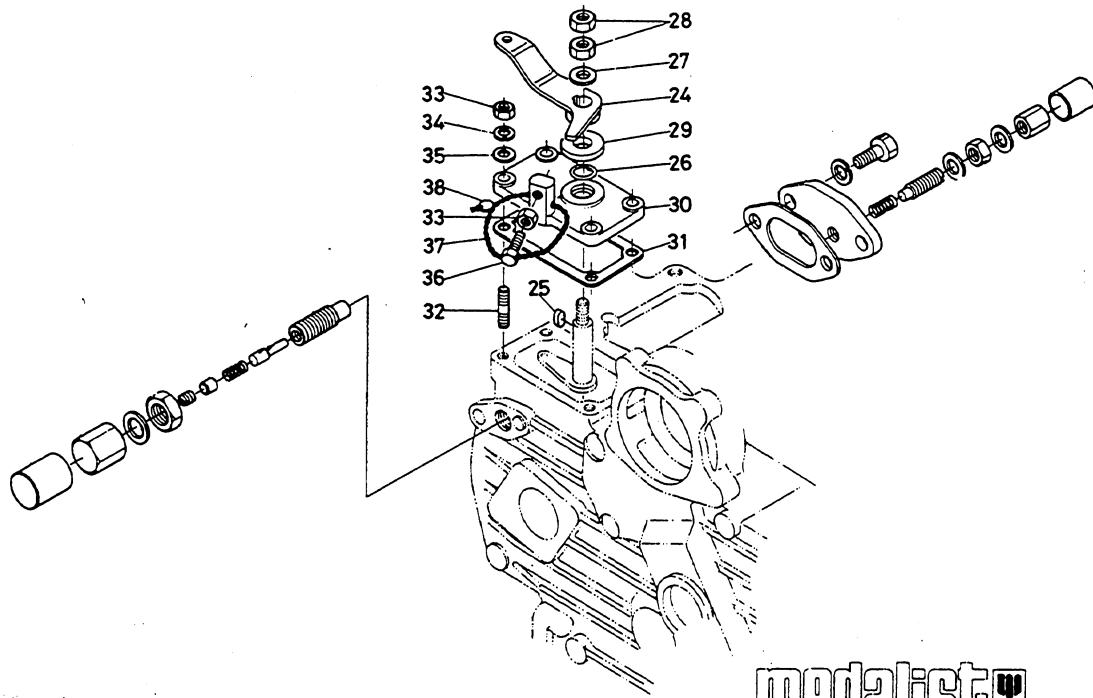
ITEM	PART NO.	DESCRIPTION	UNIT
25	298814	Gasket	1
26	298817	Cir-Clip, External	1
27			
28			
29			
30			
31			
32			
33			
34			
35			
36			
37			
38			
39			
40			
41			
42			
43			
44			
45			
46			
47			
48			

# SPEED CONTROL PLATE GROUP



ITEM	PART NO.	DESCRIPTION	UNIT
1		Assembly Apparatus, Fuel	1
2	298818	Assembly Apparatus, Fuel	1
3		Body	1
4		Pin	1
5		Spring	1
6		Spacer	1
7		Screw, Set	1
8		Nut, Lock	1
9		Gasket	2
10		Nut, Cap	1
11		Cap	1
12		Idle Apparatus Assembly	1
13		Adjusting Bolt Assembly	1
14		Bolt, Adjusting	1
15		Spring	1
16		Nut	1
17		Nut, Cap	1
18	298756	Gasket	1
19		Cap	1
20	298881	Cover	1
21	298882	Gasket	1
22		Washer, Spring	2
23		Bolt	2
24	298819	Lever, Speed Control	1

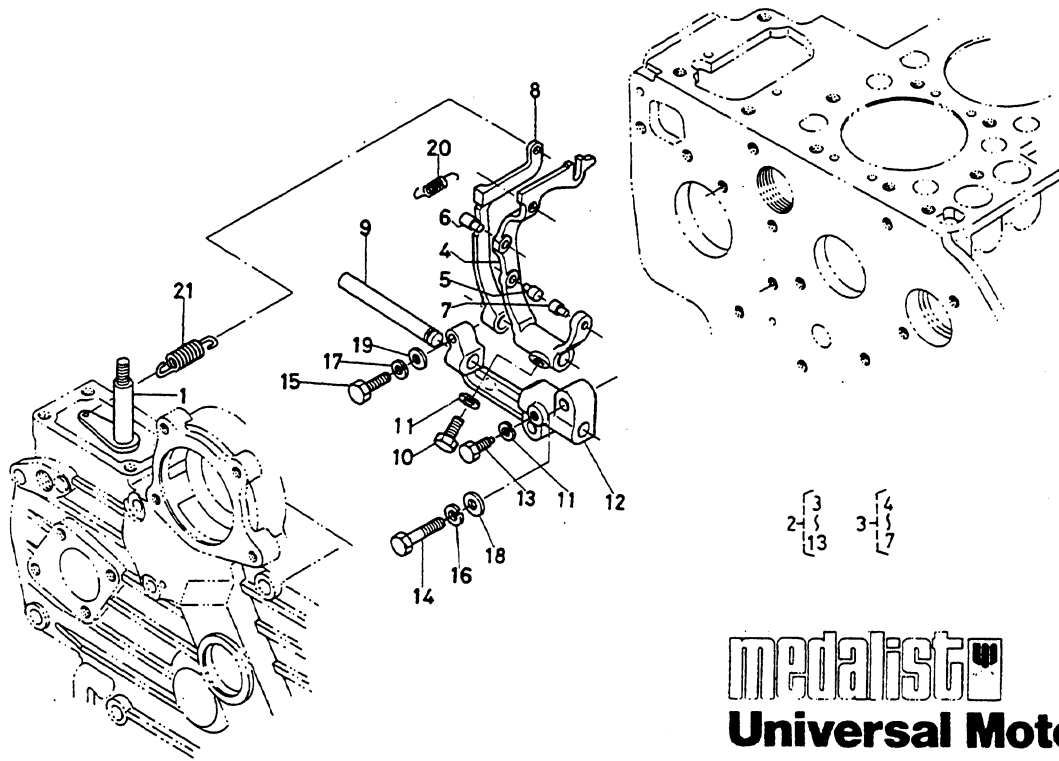
# SPEED CONTROL PLATE GROUP



**medalist**  
**Universal Motors**

ITEM	PART NO.	DESCRIPTION	UNIT
25	298820	Key, Feather	1
26	298821	O Ring	1
27		Washer, Plain	1
28		Nut	2
29	298822	Plate, Friction	1
30	298823	Plate, Speed Control	1
31	298824	Gasket, Cont. Plate	1
32	298825	Stud	4
33		Nut	5
34		Washer, Spring	4
35		Washer, Plain	4
36	298826	Stopper	1
37		Wire	1
38		Lead, Sealing	1
39			
40			
41			
42			
43			
44			
45			
46			
47			
48			

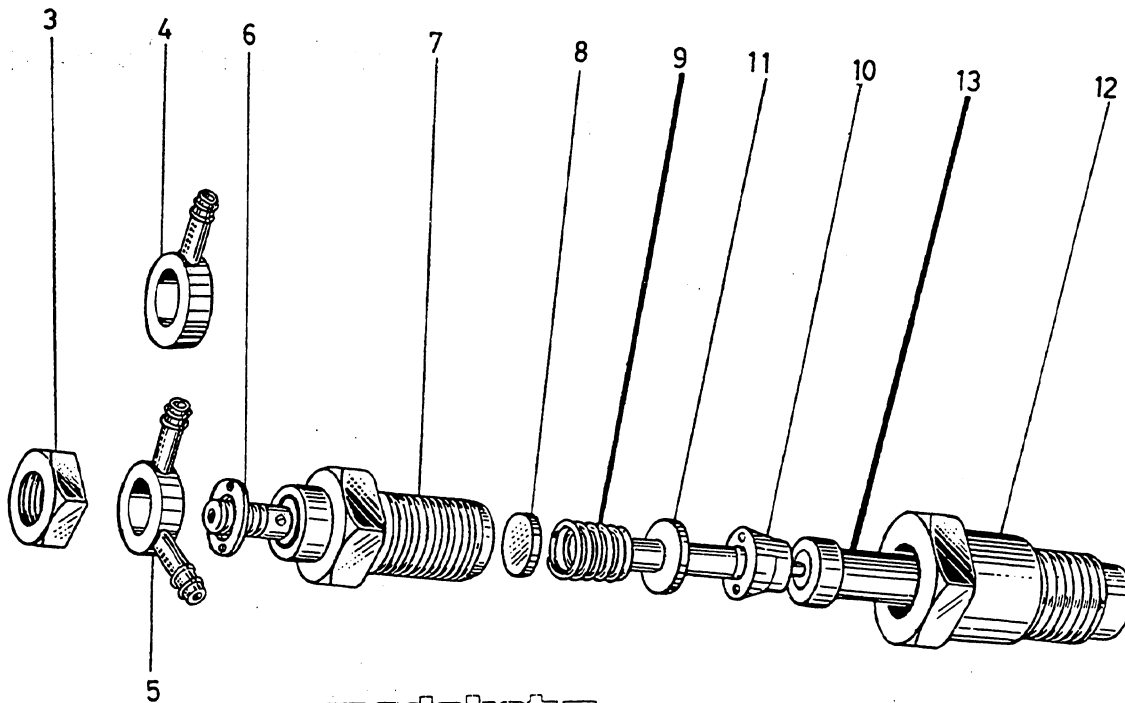
# GOVERNOR GROUP



**medalist**  
**Universal Motors**

ITEM	PART NO.	DESCRIPTION	UNIT
1		Governor Lever Assembly	1
2		Fork Lever Assembly	1
3	298830	Fork Lever Assembly	1
4		Fork Lever	1
5		Pin, Fork Lever	1
6		Pin, Fork Lever	1
7		Pin, Fork Lever	1
8	298831	Lever, Fork	1
9	298832	Fork Lever Shaft	1
10	298833	Bolt, Lever Shaft	1
11		Washer, Spring	2
12	298834	Holder, Fork Lever	1
13	298835	Bolt	1
14		Bolt	2
15		Bolt	1
16		Washer, Spring	2
17		Washer, Spring	1
18		Washer, Plain	2
19		Washer, Plain	1
20	298828	Spring, Start	1
21	298829	Spring, Governor	1
22			
23			
24			

# NOZZLE HOLDER GROUP



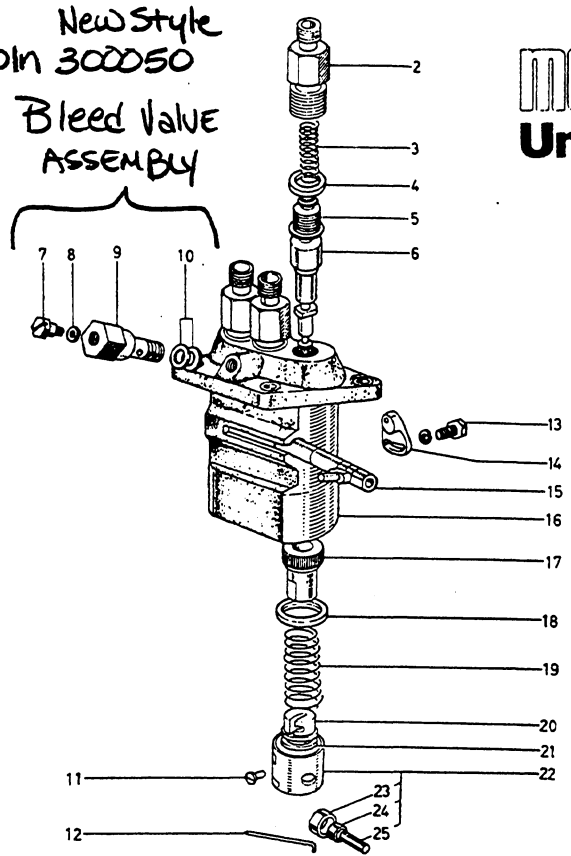
**medalist**  
**Universal Motors**

ITEM	PART NO.	DESCRIPTION	UNIT
1	298787	Nozzle Holder Assembly	1
2	298788	Nozzle Holder Assembly	2
3		Nut	1
4	301161	Joint, Eye	1
5	301162	Joint, Eye	2
6	301137	Washer, Plain	1
7		Body, Nozzle Holder	1
8		Washer, Adjusting	1
9		Spring, Nozzle	1
10		Distance Piece	1
11		Push Rod	1
12		Nozzle Nut	1
13	301514	Nozzle Piece	1
14			
15			
16			
17			
18			
19			
20			
21			
22			
23			
24			



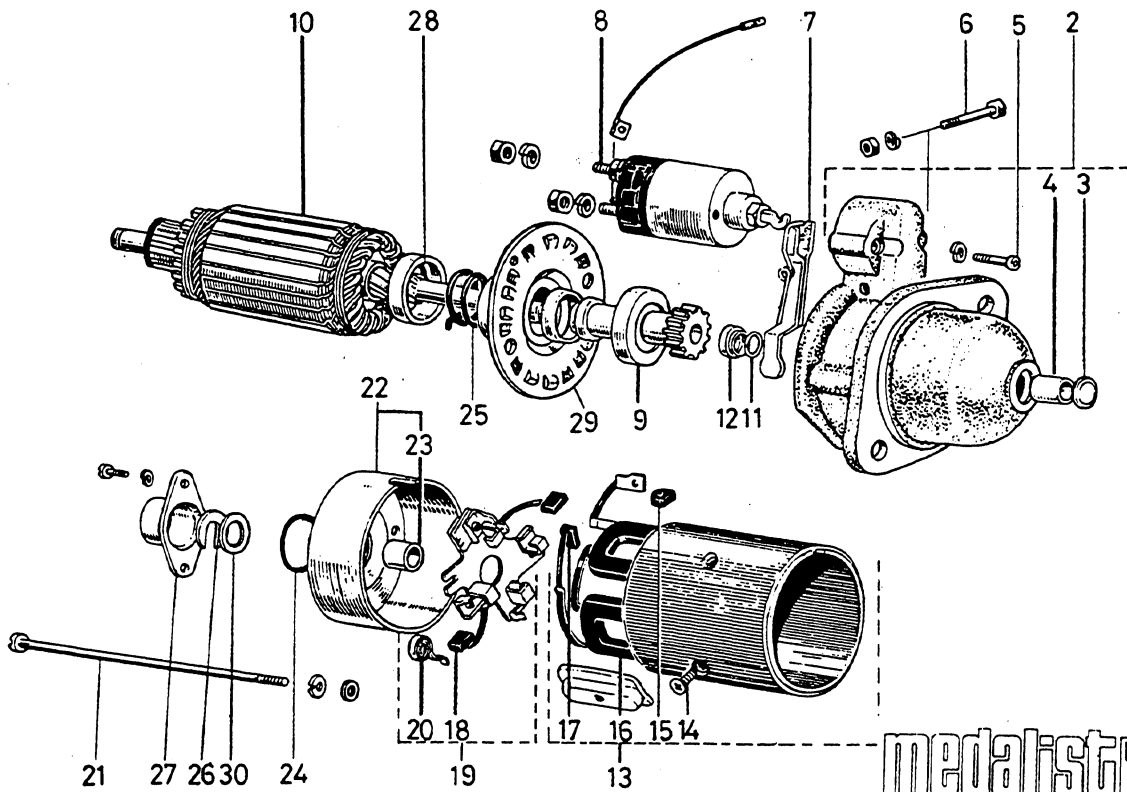
# INJECTION PUMP GROUP

New Style  
Pin 300050  
Bleed Valve  
ASSEMBLY



ITEM	PART NO.	DESCRIPTION	UNIT
1	298878	INJECTION PUMP	
2		Holder, Delivery Valve	3
3		Spring, Delivery Valve	3
4		Gasket, Delivery Valve	3
5		Valve, Delivery	3
6		Pump Element	3
7	299748	Screw	1
8	299749	Gasket	1
9	300091	Screw	1
10	299873	Gasket	2
11		Pin, Tappet Guide	3
12		Pin, Crank	1
13		Bolt	2
14		Plate, Adjusting	2
15		Pack Control	1
16		Housing, Pump	1
17		Sleeve Control	3
18		Seat, Spring Upper	2
19		Spring, Plunger	3
20		Seat, Spring Lower	3
21		Shim	3
22		Tappet Assembly	3
23		Roller	3
24		Bushing, Roller	3
25		Pin, Roller	3

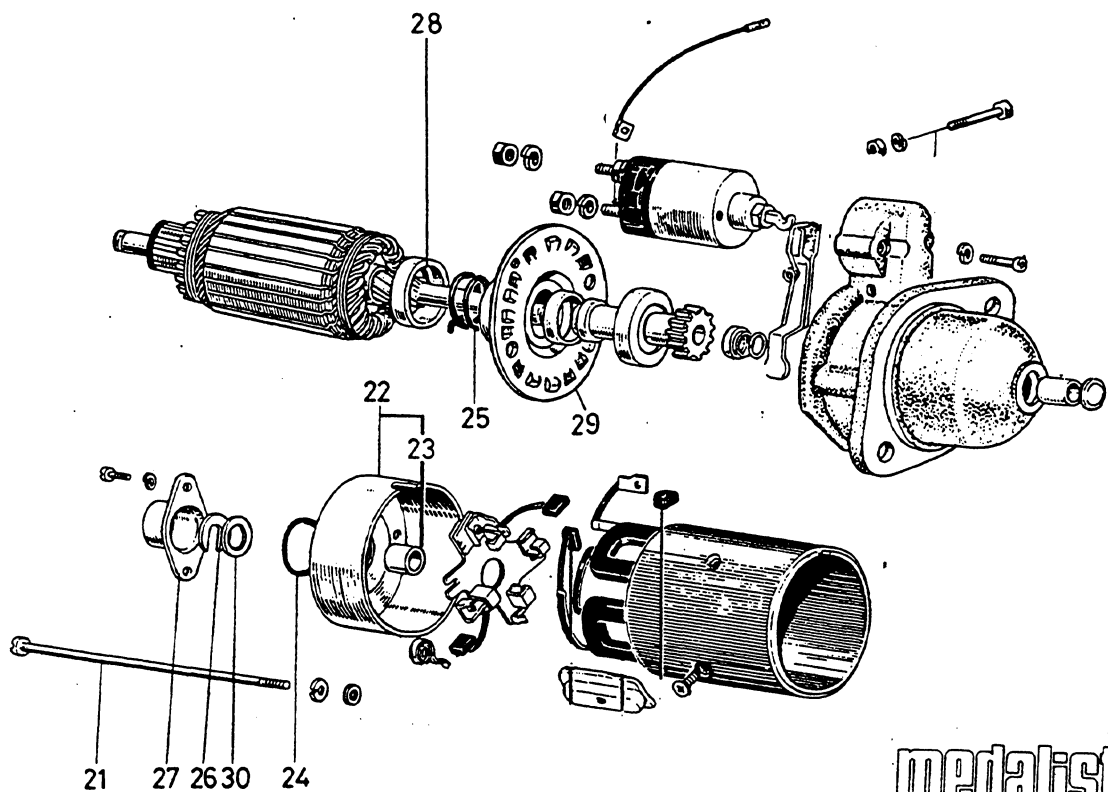
# STARTER GROUP



medalist  
Universal Motors

ITEM	PART NO.	DESCRIPTION	UNIT
1	298876 (1101 STARTER) 302886 (1102 STARTER)	COMPLETE ASSY	
2		Drive End Frame	1
3		Plug, Belch	1
4	299770	Bush	1
5		Bolt, Set	1
6		Bolt	2
7		Lever, Drive	1
8	299649	Clutch, Magnet	1
9	299779	Clutch	1
10	299780	Armature	1
11		Pin, Snap	1
12		Collar	1
13		Yoke	1
14		Bolt, Set	2
15		Gasket	1
16		Coil, Field	1
17	299781	Brush	2
18	299782	Brush	2
19		Holder, Brush	1
20	299776	Spring, Brush	4
21		Bolt	2
22		End Frame	1
23	299777	Bush	1
24		Gasket	1

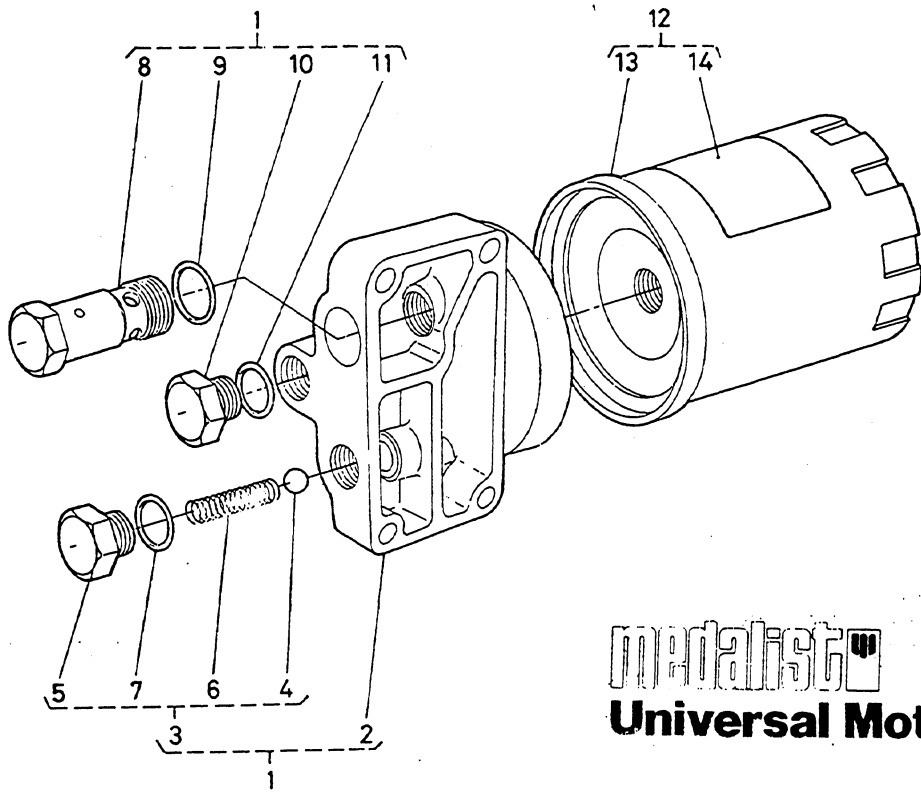
# STARTER GROUP



**medalist**  
**Universal Motors**

ITEM	PART NO.	DESCRIPTION	UNIT
25	299784	Spring, Return	1
26		Washer	1
27		Cap, End Frame	1
28		Holder, Spring	1
29		Bearing, Center	1
30		Washer, Plain	
31			
32			
33			
34			
35			
36			
37			
38			
39			
40			
41			
42			
43			
44			
45			
46			
47			
48			

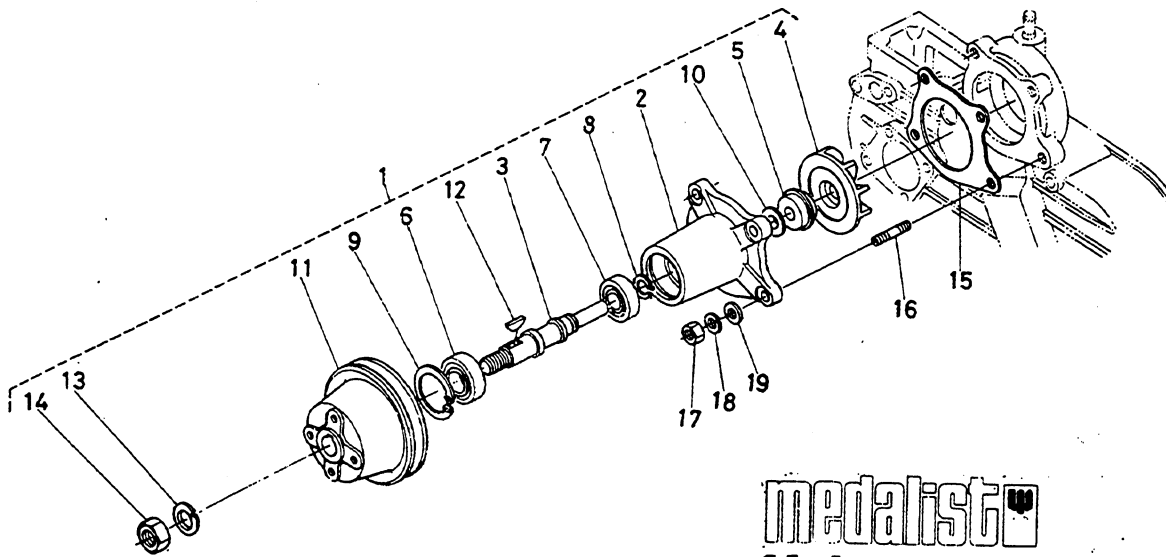
# OIL FILTER 2 GROUP



**Universal Motors**

ITEM	PART NO.	DESCRIPTION	UNIT
1		Assembly, Filter Cover	1
2		Cover	1
3		Safety Valve Assembly	1
4		Safety Valve	1
5		Plug	1
6		Spring	1
7		O Ring	1
8	300349	Relief Valve Assembly	1
9		O Ring	1
10		Plug	1
11		O Ring	1
12	298852	Cartridge Assembly	1
13	298852	Cartridge Filter	1
14		Label, Oil Filter	1
15			
16			
17			
18			
19			
20			
21			
22			
23			
24			

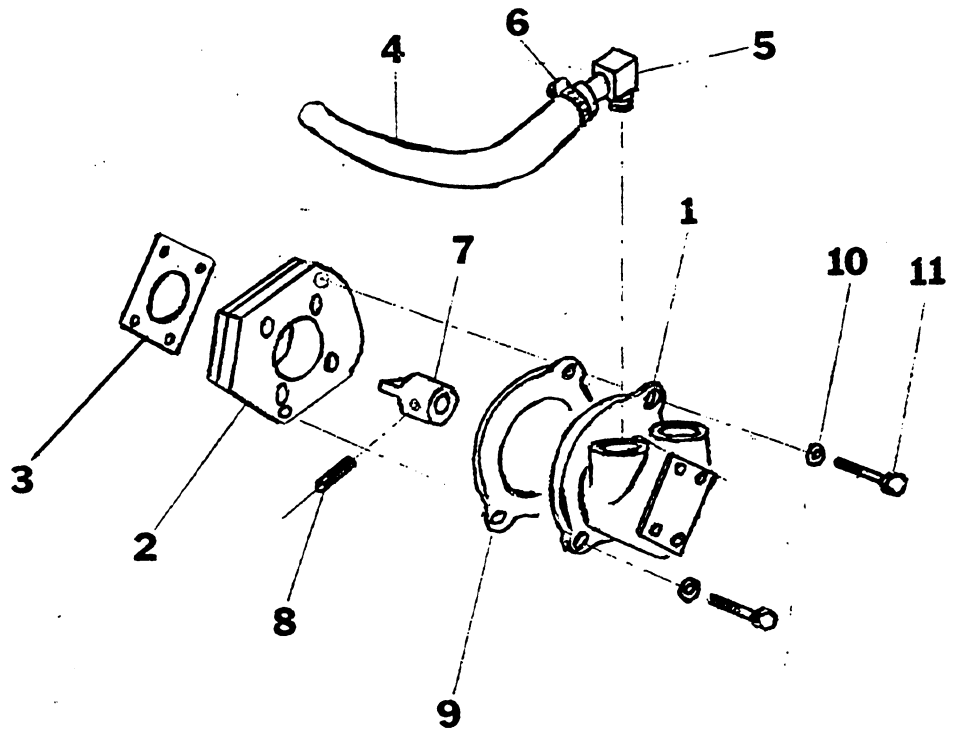
# WATER PUMP GROUP



**medalist**  
**Universal Motors**

ITEM	PART NO.	DESCRIPTION	UNIT
1	298845	Assembly, Water Pump	1
2		Water Pump Body	1
3		Shaft, Water Pump	1
4		Impeller, Water Pump	1
5		Set Seal	1
6		Bearing, Ball	1
7		Bearing, Ball	1
8		Cir-Clip, External	1
9		Cir-Clip, Internal	1
10		Slinger	1
11		Pulley, Fan	1
12		Key, Woodruff	1
13		Washer, Spring	1
14		Nut	1
15	298846	Gasket, Water Pump	1
16		Stud	4
17		Nut	4
18		Washer, Spring	4
19		Washer, Plain	4
20			
21			
22			
23			
24			

# WATER PUMP GROUP



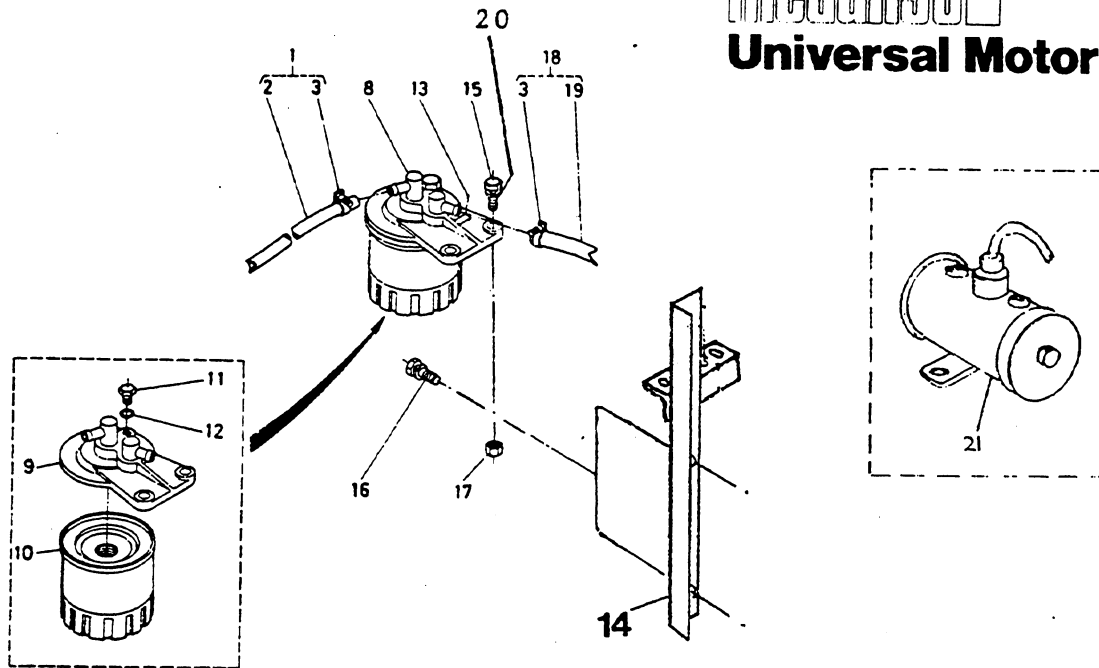
<u>ITEM</u>	<u>PART NO.</u>	<u>DESCRIPTION</u>	<u>UNIT</u>
1 . . .	<del>298890</del>	Pump - Oberdorfer . . .301357 . . . . .	1
2 . . .	298477	Adapter Plate . . . . .	1
3 . . .	298485	Gasket, Adapter Plate . . . . .	1
4 . . .	299162	Hose 1/2" Pump to Engine . . . . .	1
5 . . .	241019	Fitting 90° 1/2" Hose . . . . .	1
6 . . .	374747	Clamp 1/2" Hose . . . . .	1
7 . . .	298478	Coupling Adapter . . . . .	1
8 . . .	230371	Roll Pin 3/16 Dia x 7/8 Lg. . . . .	1
9 . . .	<del>281044</del>	Gasket . . .300253 . . . . .	1
10 . . .	285305	Washer . . . . .	2
11 . . .	231080	Cap Screw . . . . .	2
12 . . .	298889	Cam . . . . .	1
13	301788	SHAFT OBERDORFER (NOT SHOWN)	1

When replacing pump impeller order "water pump repair kit"  
 Part No. 298416-A. Kit consists of: impeller, lip gasket,  
 and retaining ring.

256737	Complete Gasket Set	Optional
298904	Spare Parts Kit	Optional
262249	Hand Sump Pump	1

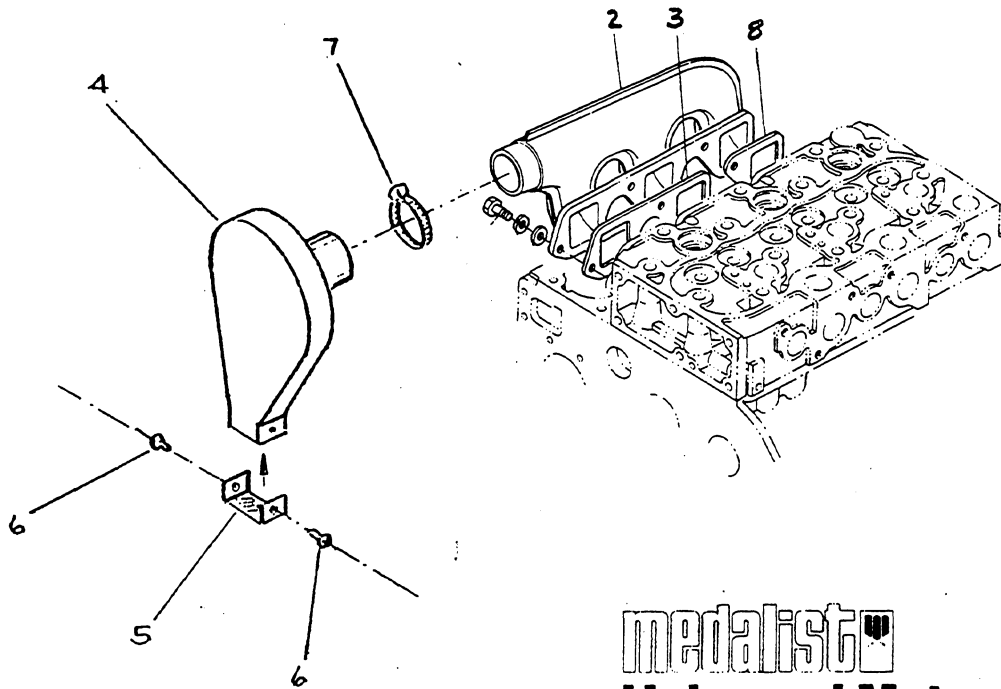
# FUEL FILTER GROUP

medalist  
Universal Motors



ITEM	PART NO.	DESCRIPTION	UNIT
1		Fuel Pipe Assembly	1
2		Pipe, Fuel	1
3	298605-A	Clip, Pipe	4
4		Gasket	2
5		Joint, Fuel Pipe	1
6		Pipe, Fuel	1
7		Clip, Pipe	2
8	298853	Fuel Filter Assembly	1
9		Cover, Filter	1
10	298854	Element, Filter	1
11	299855	Plug, Filter Breather	1
12	299856	O Ring	1
13		Mark, Form	1
14	<del>298636</del>	Bracket, Filter 298636	1
15	231059	Bolt	2
16	298973	Bolt	2
17	230142	Nut	2
18		Fuel Pipe Assembly	1
19	298567	Pipe, Fuel Filter To Engine	1
20	298461	Washer, Lock	1
21	299736	Electric Fuel Pump	1
22			
23			
24			

# AIR CLEANER GROUP



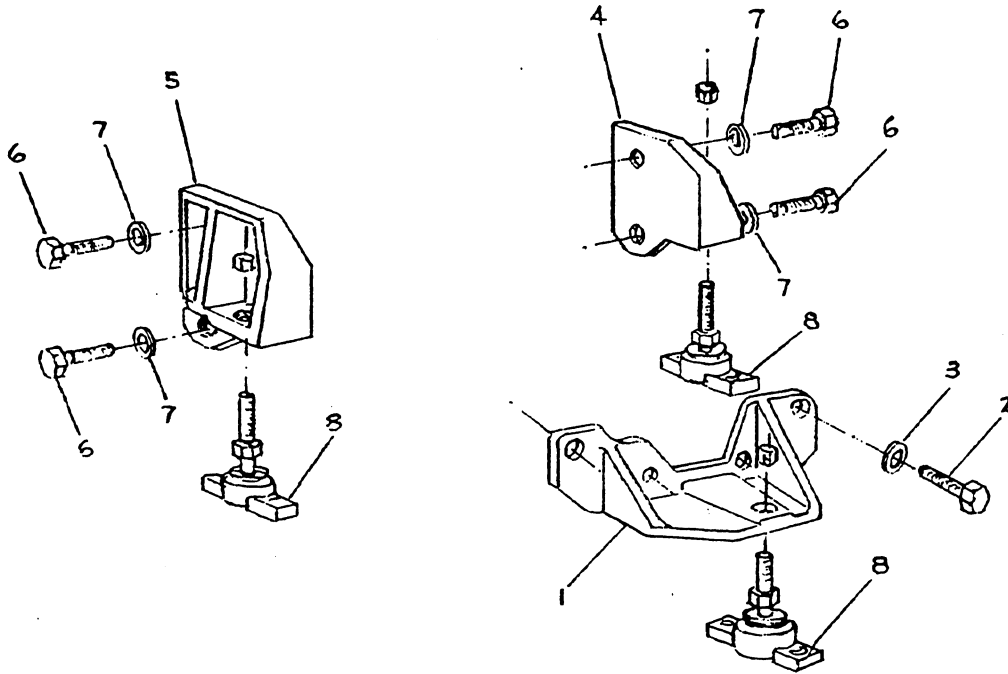
**medalist**  
**Universal Motors**

ITEM	PART NO.	DESCRIPTION	UNIT
1	299750	Air Cleaner Assembly	1
2	298866	Manifold, Inlet	1
3	298865	Gasket, Inlet Manifold	1
4	298548-C	Air Silencer	1
5	298563	Screen, Air Silencer	1
6	239158	Pop Rivet	2
7	298604	Clamp, Adjustable	1
8	298705	Gasket, Manifold	1
9	299083	HOSE	
10			
11			
12			
13			
14			
15			
16			
17			
18			
19			
20			
21			
22			
23			
24			



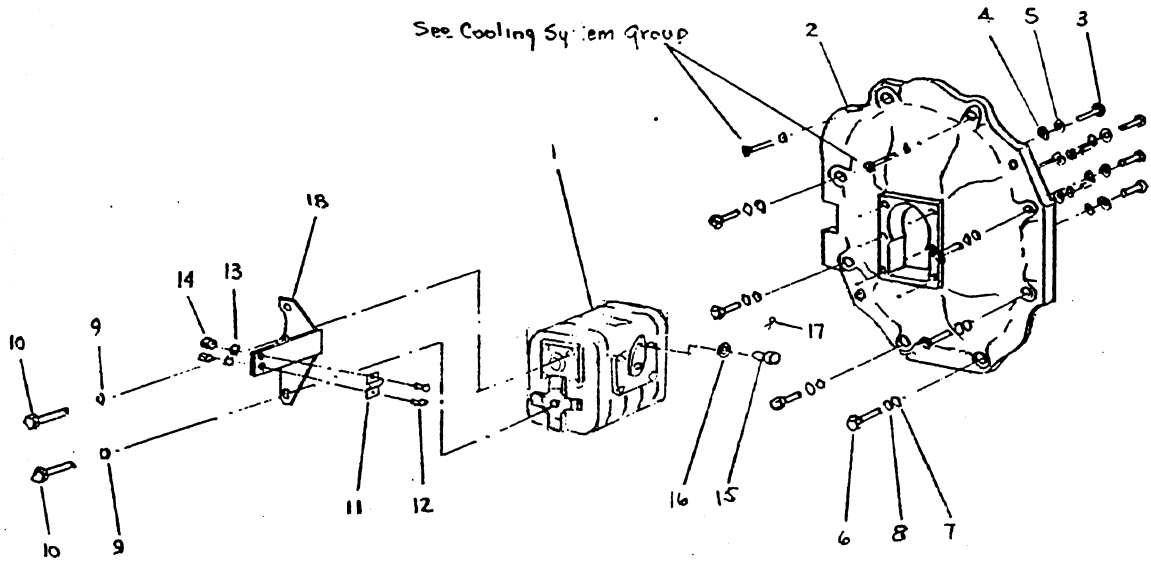
ENGINE MOUNT GROUP

**medalist**  
**Universal Motors**



ITEM	PART NO.	DESCRIPTION	UNIT
1	298515-C	Mounting Bracket - Front	1
2	298506	Hex Hd Cap Screw (10MM x 3MM Lg.)	4
3	298463	Lock Washer, Split (10MM Screw)	4
4	298517-C	Mounting Bracket - Rear L.H.	1
5	298519-C	Mounting Bracket - Rear R.H.	1
6	298464	Hex Hd Cap Screw (14MM x 35MM Lg.)	4
7	298465	Lock Washer, Split (14MM Screw)	4
8	<del>298512-BX</del>	Flexible Mount 300583	3 OR 4
9			
10			
11			
12			
13			
14			
15			
16			
17			
18			
19			
20			
21			
22			
23			
24			

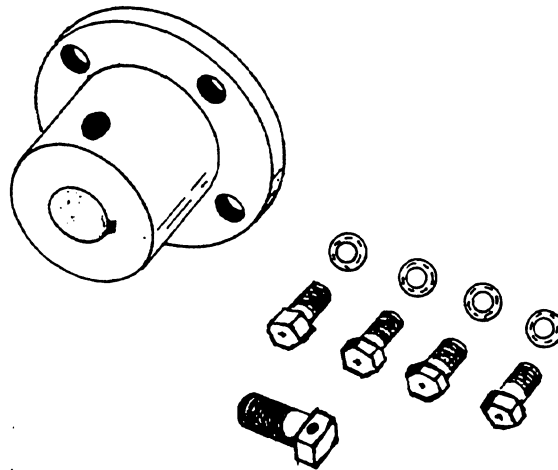
TRANSMISSION GROUP



**medalist**  
**Universal Motors**

ITEM	PART NO.	DESCRIPTION	UNIT
1	298453	Reverse Gear Box, Complete	1
2	298523-0	Bell Housing, Reverse Gear (NLA)	1
3	298468	Hex Hd Cap Screw(8MM x 1.25P x 25MM Lg.)	6
4	231875	Flat Washer, SAE 5/16	6
5	298461	Washer, Lock (8MM Screw)	6
6	298616	Hex Hd Cap Screw (10MM x 50MM Lg.)	6
7	298456	Flat Washer (.413 I.D.)	6
8	298463	Lock Washer (10MM Screw)	6
9	<del>298461</del>	Lock Washer ( 8MM Screw) 31786	2
10	<del>298461</del>	Hex Hd Cap Screw(8MM x 1.25 x 16MM Lg.) 16789	2
11	<del>298461</del>	Clamp, Shift Cable To Shift Control Brkt.	1
12	<del>231874</del>	Round Hd Mach Screw(#10-32 x 1/2 Lg.)	2
13	<del>231890</del>	Lock Washer, Split (#10 Screw)	2
14	<del>230188</del>	Hex Nut (#10-32)	2
15	298898	Pivot, Shift Cable To Reverse Gear Lever	1
16	<del>231874</del>	Flat Washer SAE 1/4	1
17	230281	Cotter Pin 3/32 x 1/2"	1
18	<del>298454</del>	Bracket, Shift Control Mt'g. Cable	1
19	298454	Damper (NOT SHOWN)	1
20	298505	Damper Mounting Plate (NOT SHOWN)	1
21			
22			
23			
24			

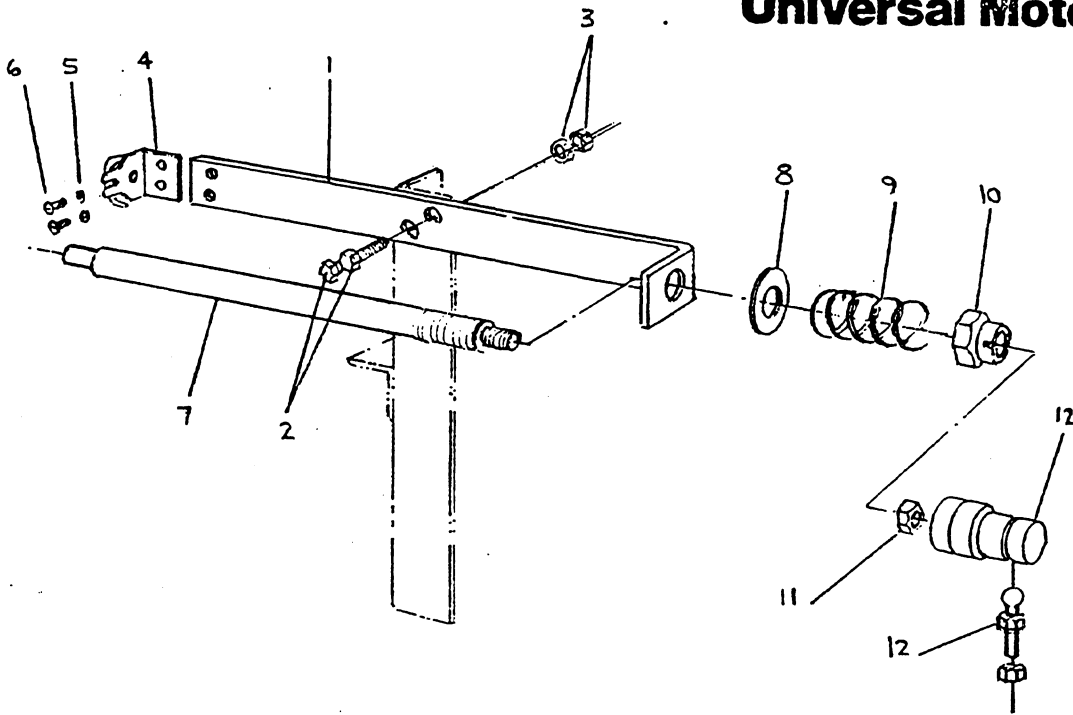
13325  
31872  
31849  
31847  
31753  
300427



ITEM	PART NO.	DESCRIPTION	UNIT
<del>299640</del>	256741	Rigid Coupling 3/4"	
<del>299641</del>	256742	Rigid Coupling 7/8"	
<del>299642</del>	256743	Rigid Coupling 1"	
<del>299643</del>	256744	Rigid Coupling 1-1/8"	
<del>299644</del>	256745	Rigid Coupling 1-1/4"	
238162		Screw-Sq.Hd. 3/8 - 16 x 1"	2
239548		Screw-Hex Hed. 3/8 - 24 x 1-1/4"	4
231910		Washer-Shake Proof	4
230189		Nut-Jam 3/8-24	4
298568		Flexible Coupling 3/4" - 1/4" Key	
298569		Flexible Coupling 7/8" - 1/4" Key	
298484		Flexible Coupling 1" - 1/4" Key	
298570		Flexible Coupling 1-1/8" - 1/4" Key	
299300		Flexible Coupling 1-1/4" - 5/16" Key	

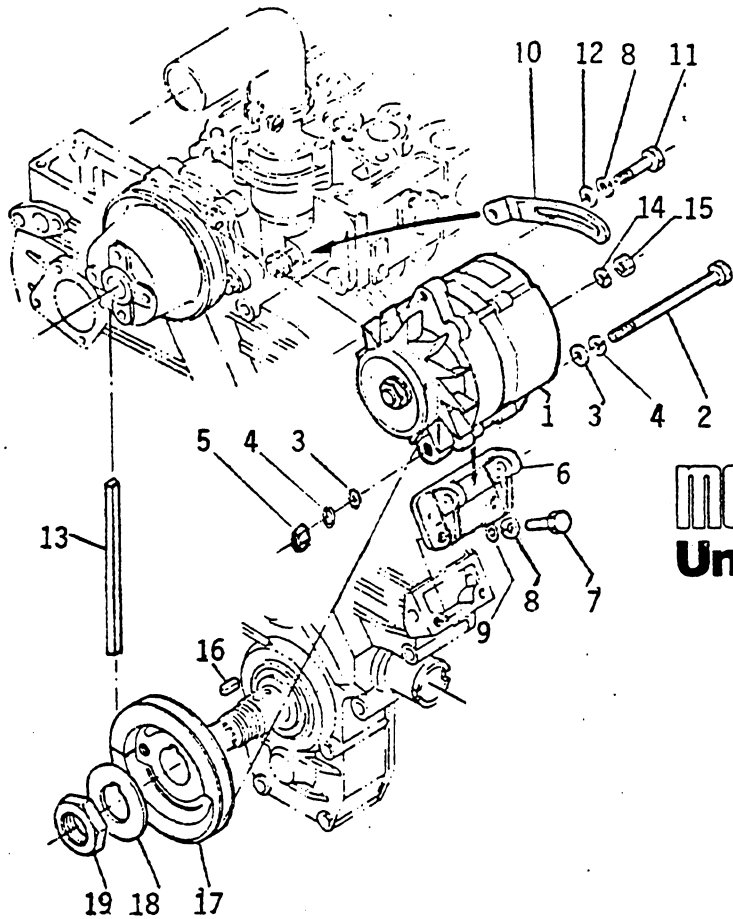
THROTTLE LINKAGE CONTROL GROUP

**medalist**  
**Universal Motors**



ITEM	PART NO.	DESCRIPTION	UNIT
1	298637-B	Bracket, Throttle Cable Mtg.	1
2	231035	Hex Hd Cap Screw (1/4-20 x 3/4 Lg.)	2
3	230257	Lock Nut, Flexlock (1/4-20)	2
4	298630	Cable Hook Clip	1
5	231890	Lock Washer, Split (#10)	2
6	231224	Rd Hd Mach Screw (#10-32 x 1/2" Lg.)	2
7	298638	Stud, Throttle Control Linkage	1
8	231875	Flat Washer SAE 5/16	1
9	298886	Spring, Throttle Stop	1
10	298610	Lock Nut, Flexlock (5/16 x 24)	1
11	230138	Hex Nut (#10-32)	1
12	298629	Ball Joint, Throttle Linkage	1
13			
14			
15			
16			
17			
18			
19			
20			
21			
22			
23			
24			

# DYNAMO GROUP

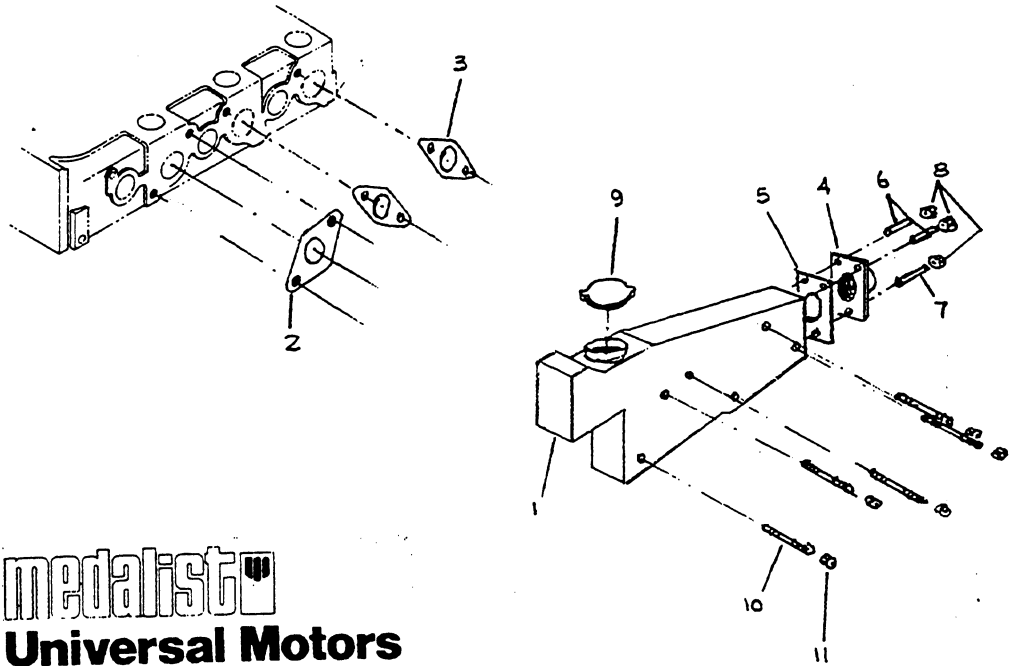


**medalist**  
**Universal Motors**

ITEM	PART NO.	DESCRIPTION	UNIT
1	<del>XXXXXX</del>	55 AMP Alternator & Tach A.C. Tap Kit	1
2	231093	Hex HD Cap Screw (3/8-16 x 3-3/4 Long)	1
3	231876	Washer, SAE 3/8"	2
4	285305	Washer, Split Lock 3/8"	1
5	230144	Hex Nut, 3/8-16	1
6	298521	Alternator Mounting Bracket	1
7	298468	Hex HD Cap Screw (8 mm x 1.25 x 25 mm)	2
8	298461	Washer Lock (8 mm Screw)	3
9	231875	Washer, Flat SAE 5/16	2
10	298471	Alternator Adjusting Arm	1
11	231057	Hex HD Cap Screw (5/16-18 x 3/4" Long)	1
12	231856	Washer, Flat Plain 5/16"	1
13	204002	"V" Belt	1
14	(Supplied with	Washer, Spring	1
15	Alternator)	Nut	1
16		Key, Feather	1
17		Pulley	1
18	298837	Washer, Crankshaft	1
19	298836	Nut, Crankshaft	1
20			
21			
22			
23			
24			

302280

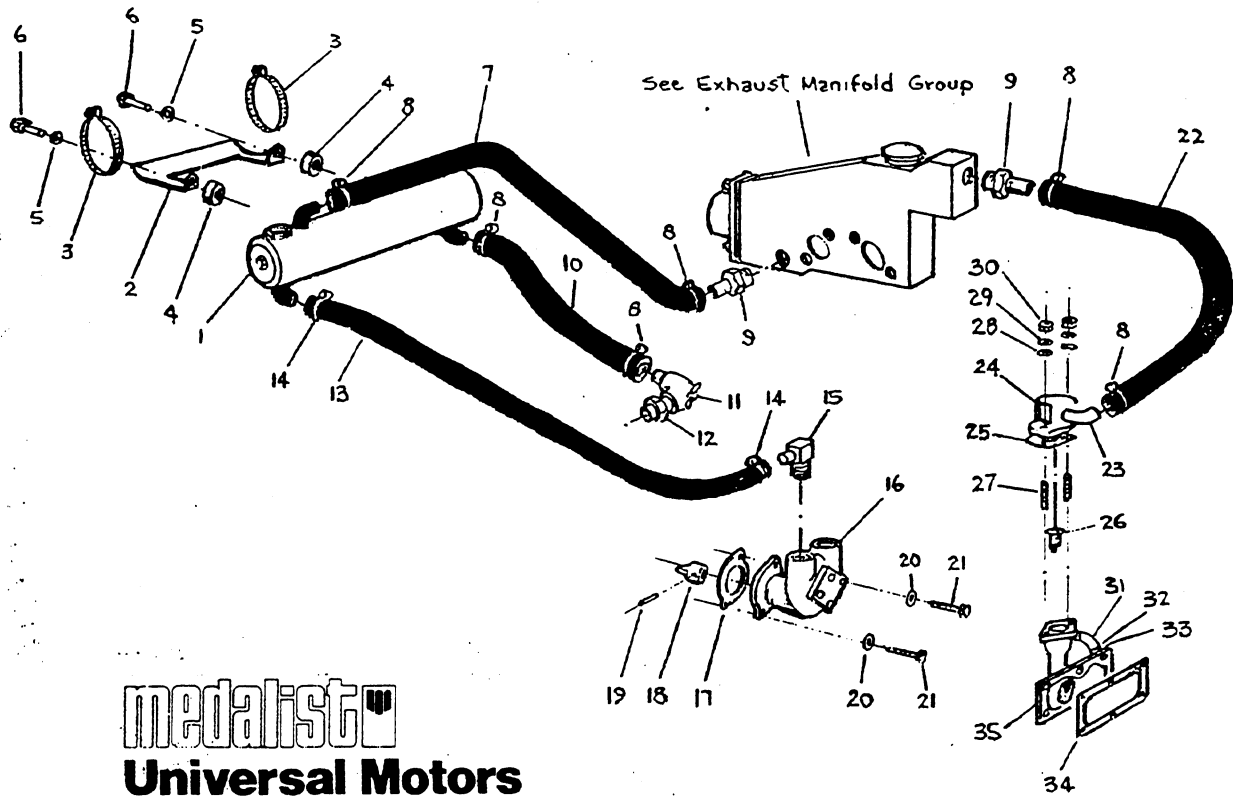
# EXHAUST MANIFOLD GROUP



**medalist**  
**Universal Motors**

ITEM	PART NO.	DESCRIPTION	UNIT
1	<del>298597</del>	Manifold 299885	1
2	298707	Gasket, Exhaust Manifold	1
3	298708	Gasket, Exhaust Manifold	2
4	298599	Exhaust Flange, Manifold	1
5	298600	Gasket, Exhaust Flange	1
6	276440	Stud, Exhaust Flange Mtg(3/8-16 x 1-7/16Lg.)	2
7	298974	Stud, Exhaust Flange Mtg(3/8-16 x 2-5/8 Lg.)	1
8	230147	Hex Nut, Exhaust Flange Mtg. (3/8-24)	3
9	<del>298576</del>	Radiator Cap, Pressurized 7# PSI 24306	1
10	298635	Stud, Exhaust Manifold(8MM x 1.25P x 102MM)	6
11	298466	Hex Nut, Exhaust Manifold(8MM x 1.25P)	6
12			
13			
14			
<del>15</del>	299944	WATER COOLED RISE 1½"	
<del>16</del>	299693	EXHAUST NIPPLE WITH WATER INLET PIPE	
17			
18			
19			
20			
21			
22			
23			
24			

# COOLING SYSTEM GROUP

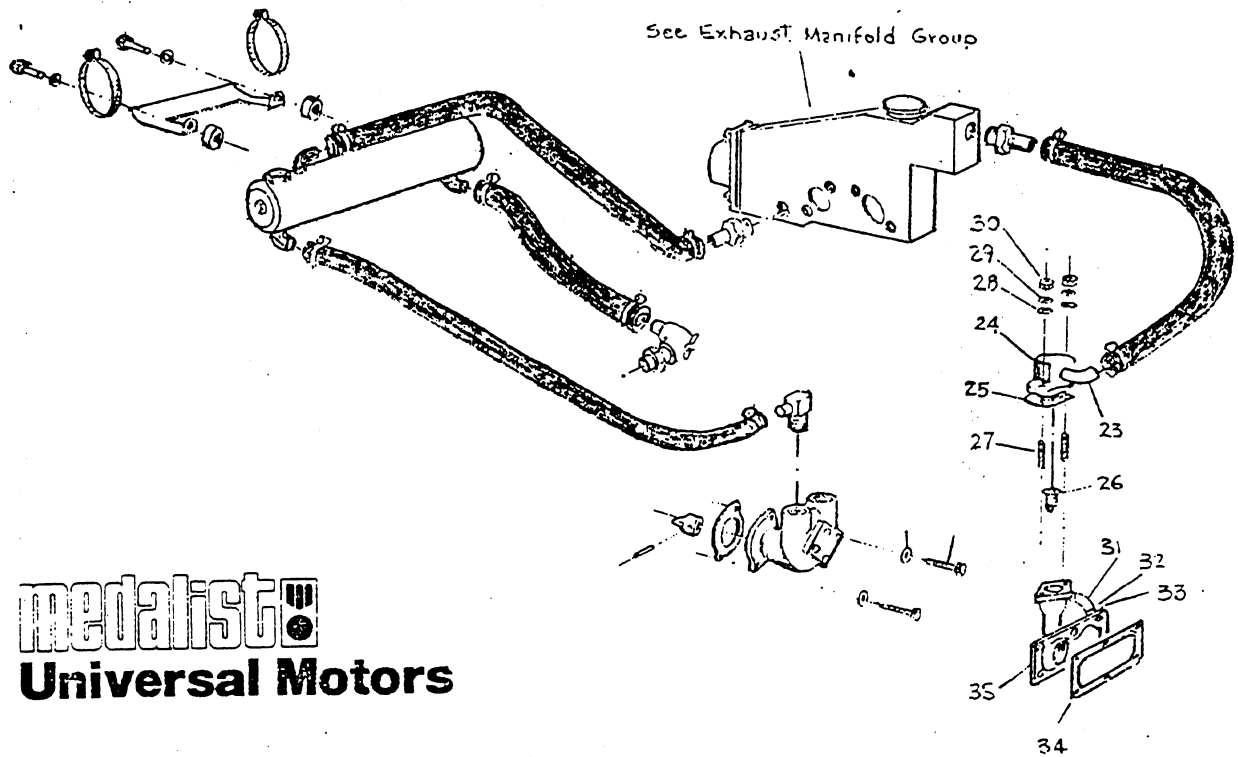


**medalist**  
**Universal Motors**

ITEM	PART NO.	DESCRIPTION	UNIT
1	299049	Heat Exchanger	1
2	298632-B	Support Bracket	1
3	294386	Clamp, Heat Exchanger	2
4	<del>298634</del>	Spacer 301443	2
5	298463-A	Washer, Lock Split (10MM)	2
6	<del>298617-XK</del>	Hex Hd Cap Screw (10MM x 1.25P x 55MM Lg.)	2
7	298646	Hose 97/8 I.D. x 8-1/2 Lg.)	1
8	298648	Hose Clamp	6
9	286075	Hose Connector	2
10	298891-A	Hose (7/8 I.S. x 16 Lg.)	1
11	239138	Drain Cock 1/8"	1
12	298641	Hose and Drain Adaptor	1
13	<del>298642-XK</del>	Hose (1/2 I.D. x 21-1/2 Lg.) 301354	1
14	374747-A	Hose Clamp	2
15	241019	Hose Fitting 90" x 3/8	1
16	298890	Raw Water Pump	1
17	261044-A	Gasket, Raw Water Pump Mt'g.	1
18	298478	Coupling, Water Pump	1
19	230371	Roll Pin, (3/16 x 7/8 Lg.)	1
20	285305	Washer, Lock Split 3/8	2
21	231080	Hex Hd Cap Screw (3/8-16 x 1" Lg.)	2
22	<del>298645-X</del>	Hose (7/8 I.D. x 4-3/4 Lg.) 301076	1
23	298644	Hose Connector	1
24	298583-B	Thermostat Housing	1

301442

COOLING SYSTEM GROUP (CONTINUED)



**medalist**  
**Universal Motors**

FROM SERIAL NO. 230101 TO 230125  
315000 TO 315022

ITEM	PART NO.	DESCRIPTION	UNIT
25	298843	Gasket, Thermostat Housing	1
26	299798	Thermostat	1
27	N/A	Stud	2
28	N/A	Washer, Plain	2
29	N/A	Washer, Lock Split	2
30	N/A	Hex Nut	2
31	298841	Hose, Water Return	1
32	298842	Clamp, Hose	2
33	298840	Pipe, Water Return	1
34	298839	Gasket, Water Flange	1
35	298838	Flange, Water	1
36	299066	Temperature Sender	1
<del>37</del>	299838	HEAT EXCHANGER COVER AND GASKET	
<del>38</del>	300682	¼ PET COCK	
39			
40			
41			
42			
43			
44			
45			
46			
47			
48			



INSTRUMENT PANEL

<u>PART NO.</u>	<u>DESCRIPTION</u>	<u>UNIT</u>
298559	Instrument Panel Complete	Optional
298572	Panel	1
298385	Ammeter	1
299240	Oil Indicator Light	1
298383	Temperature Gauge	1
299190	Ignition Switch	1
299650	Blower Switch	1
299754	Blower Switch Plate	1
299839	Glo Plug Switch	1
299755	Glo Plug Switch Plate	1
299756	Caution Plate	1
299651	Fuse - 10A	1
299066	Temperature Sender - 1/4"	1
298584	Panel Harness	1
<del>298585</del> 300675	10 Ft. Extension Harness	1
298586	Engine Wire Harness	1

OR

299263 MOTOROLA TACHOMETER  
 299732 Instrument Panel Complete with  
 299263 Tachometer and All Other  
 Components Listed Above.

~~298904~~XXXXXXXXXXXXXXXXXXXX Spare Parts Kit XXXXXXXXXXXXXXXXXXXXXXX  
 256737 Gasket Set 1  
 299716 - 15' EXTENSION HARNESS  
 298663 - OIL SWITCH

256942 - SPARE PARTS KIT A  
 200239 - SPARE PARTS KIT B

# Universal Diesel

## ENGINE CONNECTIONS

## PANEL CONNECTIONS

Electrical System

