

PARTS LIST

WESTERBEKE 60 Marine Diesel Engine

WESTERBEKE WPDS-20 Marine Diesel Generator

Publication #13316

Edition Four

April 1978



PARTS LIST

WESTERBEKE 60 Marine Diesel Engine

WESTERBEKE WPDS-20 Marine Diesel Generator

Publication #13316

Edition Four

April 1978



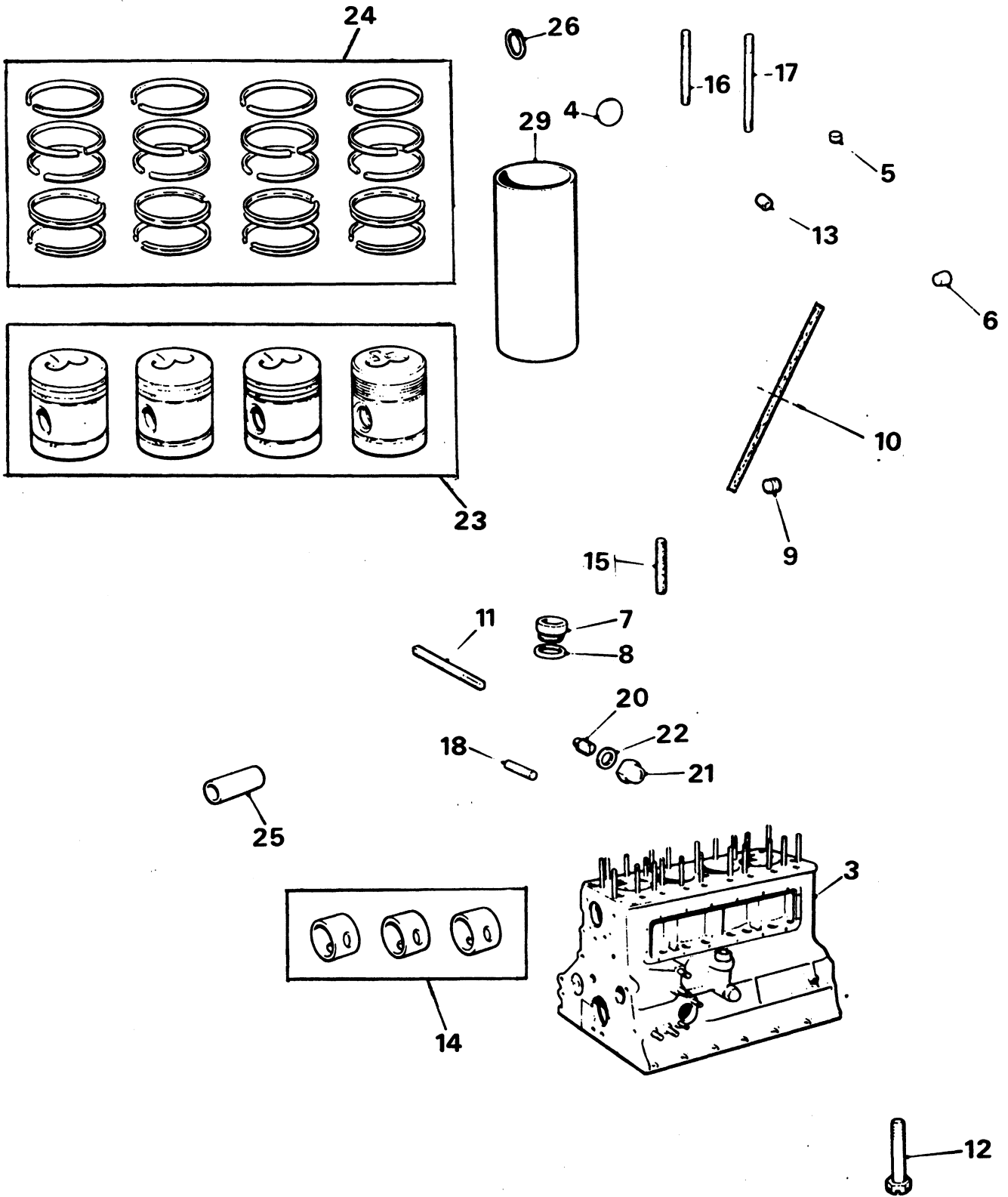
NOTES ON USING THIS PARTS LIST

1. Unit of issue for all linear commodities is inches (not feet or yards).
2. Start looking in the contents -- if you cannot find any item, check miscellaneous page.
3. Please -- Report errors and omissions to us via speed letter.
(Attention: PUBLICATIONS DEPARTMENT)
4. Quantity codes:
NA - Not applicable
AR - As required

CONTENTS

CYLINDER BLOCK	200
CYLINDER HEAD	202
CRANKSHAFT - ROD - PISTON	204
ROCKER SHAFT	206
TIMING COVER	208
INTAKE MANIFOLD - FRESH WATER PUMP	210
EXHAUST ELBOW - OIL SUMP	212
LUBE OIL PUMP	214
4-154 FUEL SYSTEM	216
W-60 FUEL SYSTEM	218
SEA WATER PUMPS	220
4-154 COOLING SYSTEM	226
W-60 COOLING SYSTEM	230
MOUNTS	234
BACK END ARRANGEMENTS	236
ELECTRICAL SYSTEM-MARINE ENGINE	238
GENERATOR CONTROL	240
GENERATOR FUEL SHUT OFF	242
GENERATOR JC SERIES	244
GENERATOR YD SERIES	246
TYPE SA1 LIGHTWEIGHT MANUAL TRANSMISSION	248
SHORT PROFILE SAILING GEAR	252
MISCELLANEOUS	256

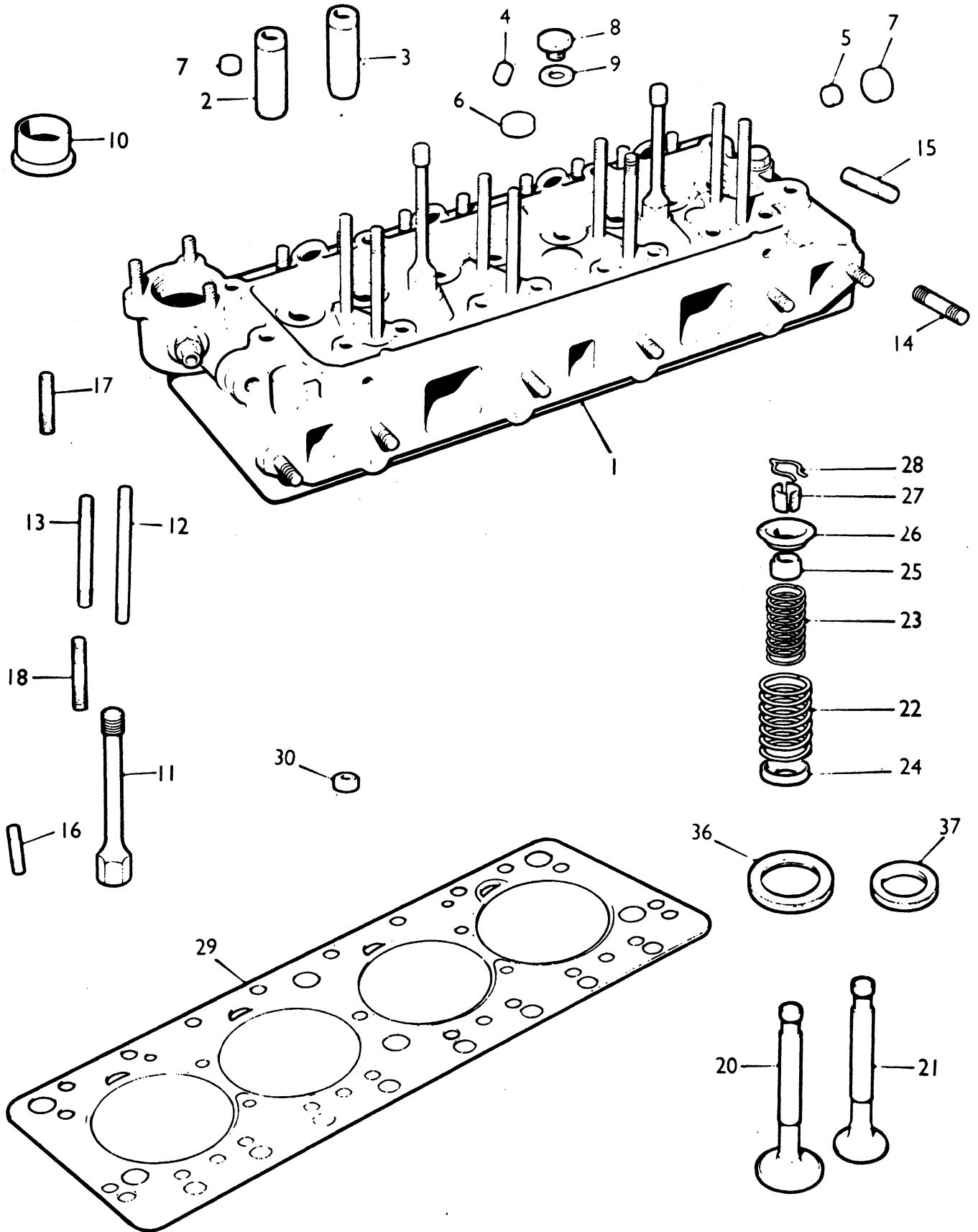
WESTERBEKE 60-CYLINDER BLOCK



WESTERBEKE 60-CYLINDER BLOCK

REF	PN	NAME	REMARKS	QUAN
3- 1	17914	BLOCK		1
3- 2	17915	BLOCK	ASSEMBLY	1
3- 3	16389	ENGINE	COMPLETE LESS FLYWHEEL & MANIFOLDS	1
4	17745	PLUG	CORE	5
5	14433	PLUG	WATER GALLERY & OIL CHAMBER	5
6	17894	PLUG	MAIN OIL CHANNEL	2
7	17893	PLUG	OIL PUMP SPINDLE BORE	1
8	17994	WASHER	OIL PUMP SPINDLE BORE PLUG	1
9	14595	PLUG	OIL PASSAGE	2
10	17998	GASKET	FRONT & REAR MAIN BEARING CAP SIDES	4
11	17980	GASKET	REAR MAIN BEARING CAP	1
12	17736	SCREW	MAIN BEARING CAP	6
13	14433	PLUG	CHAIN TENSIONER - OIL FEED	1
14	17896	LINER	SET - CAMSHAFT BEARING	1
15	17581	STUD	CYLINDER HEAD - SHORT	8
16	14482	STUD	CYLINDER HEAD - LONG	AR
17	17801	STUD	CYLINDER HEAD	2
18	18006	STUD	FUEL PUMP	2
20	17692	SCREW	OIL PUMP LOCATING	1
21	17693	NUT	OIL PUMP LOCATING SCREW	1
22	17995	WASHER	OIL PUMP LOCATING SCREW	1
23	17911	PISTON	ASSEMBLY - STANDARD	4
24	17907	RING SET	STANDARD	4
25	17737	PIN	PISTON	4
26	17760	CIRCLIP	PISTON PIN	8
29	17739	LINER	CYLINDER	4

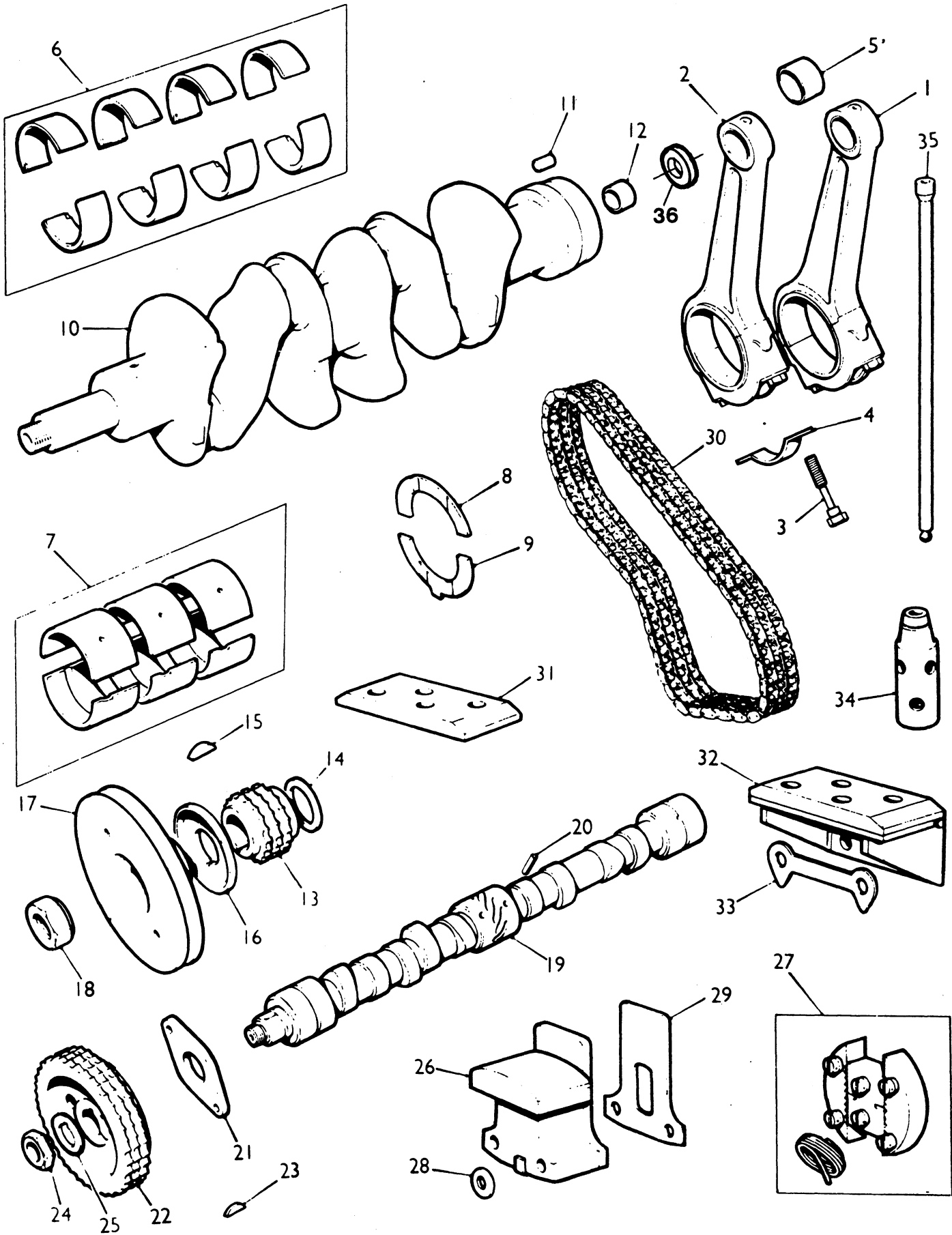
WESTERBEKE 60-CYLINDER HEAD



WESTERBEKE 60-CYLINDER HEAD

REF	PN	NAME	REMARKS	QUAN
1	17913	HEAD	ASSEMBLY	1
2	17730	GUIDE	INLET VALVE - STANDARD	4
3	17731	GUIDE	EXHAUST VALVE - STANDARD	4
4	14595	PLUG	WATER	4
5	15481	PLUG	OIL HOLE TO ROCKER BRACKET	1
6	17712	PLUG	CORE - TAPERED - 1/8 DIAMETER	1
7	14500	PLUG	CORE - 3/4 DIAMETER	8
8	17981	PLUG	HEATER	1
9	17984	WASHER	FIBER - HEATER PLUG	1
10	17723	INSERT	COMBUSTION CHAMBER	4
11	17714	STUD	EXTENSION - VALVE ROCKER COVER	2
12	18001	STUD	VALVE ROCKER BRACKET - LONG	4
13	18000	STUD	VALVE ROCKER BRACKET - SHORT	4
14	17763	STUD	EXHAUST MANIFOLD	2
15	18009	STUD	EXHAUST MANIFOLD	4
16	17584	STUD	NOZZLE HOLDER	8
17	18004	STUD	WATER OUTLET ELBOW	2
18	18005	STUD	WATER OUTLET ELBOW	1
20	17724	VALVE	INLET	4
21	17725	VALVE	EXHAUST	4
22	17710	SPRING	VALVE - OUTER	8
23	17711	SPRING	VALVE - INNER	8
24	17682	COLLAR	VALVE SPRING - BOTTOM	8
25	17729	SEAL	OIL - VALVE	8
26	17735	CUP	VALVE SPRING	8
27	14526	COTTER	VALVE - COMPLETE	8
28	14514	CIRCLIP	COTTER	8
29	17941	GASKET	CYLINDER HEAD	1
30	14445	NUT	CYLINDER HEAD STUD	AR
36	17743	INSERT	VALVE SEAT - INLET	4
37	17744	INSERT	VALVE SEAT - EXHAUST	4

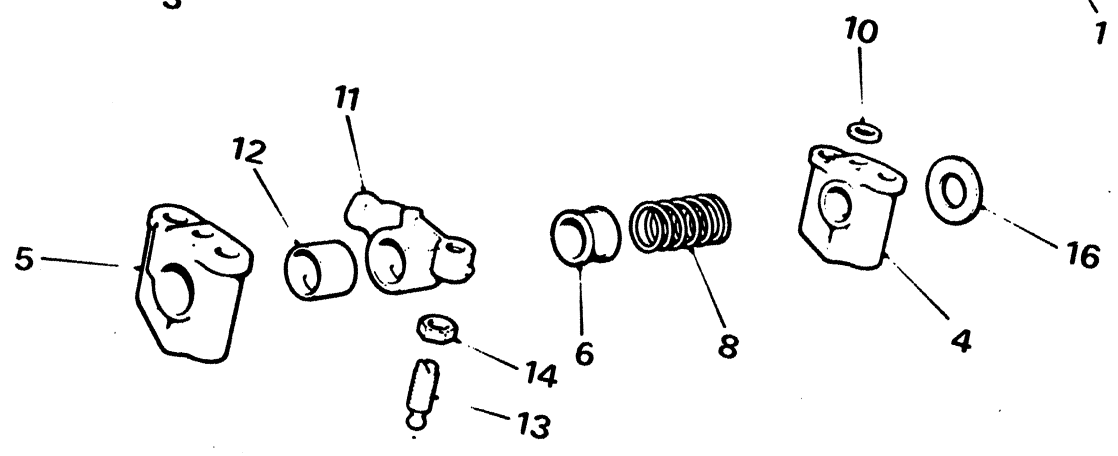
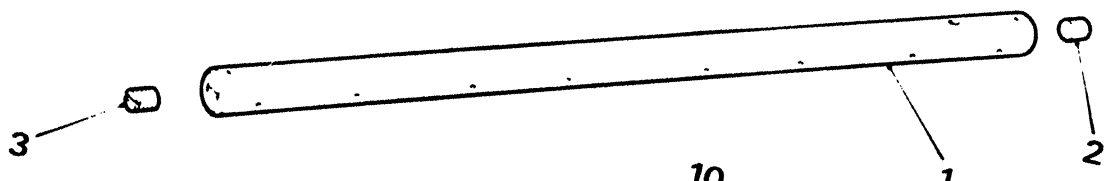
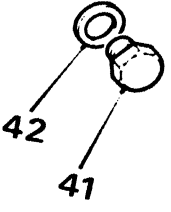
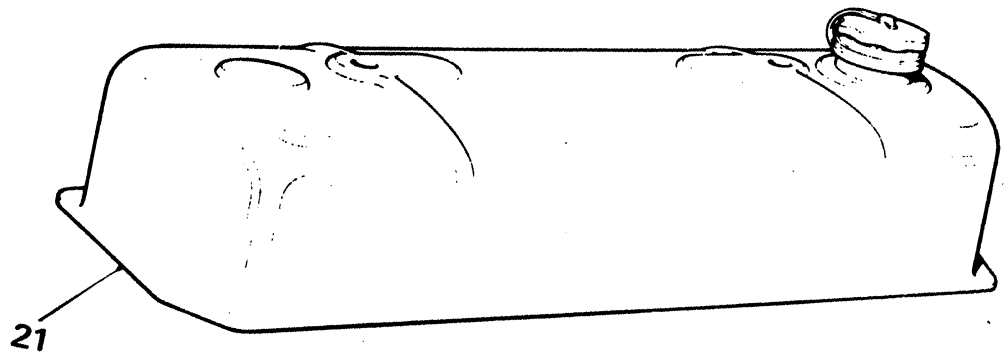
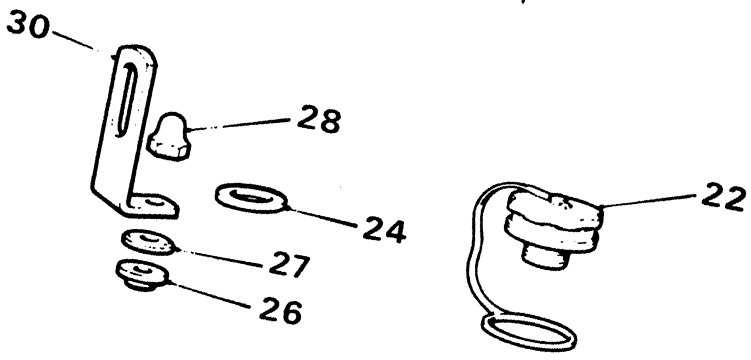
WESTERBEKE 60-CRANKSHAFT-ROD-PISTON



WESTERBEKE 60-CRANKSHAFT-ROD-PISTON

REF	PN	NAME	REMARKS	QUAN
1	17686	ROD	ASSEMBLY-CYLINDERS #1 & #3	2
2	17685	ROD	ASSEMBLY-CYLINDERS #2 & #4	2
3	17688	SCREW	CONNECTING ROD CAPS	8
4	17689	TABWASHER	CONNECTING ROD CAPS	4
5	17687	BUSHING	CONNECTING ROD	4
6	17897	BEARING	SET-CONNECTING ROD-STANDARD	1
7	17908	BEARING	SET-MAIN-STANDARD	1
8	17684	WASHER	THRUST-STANDARD-UPPER HALF	2
9	17675	WASHER	THRUST-STANDARD-LOWER HALF	2
10	17726	CRANKSHAFT		1
11	17722	DOWEL	CRANKSHAFT TO FLYWHEEL	2
12	17977	BUSHING	CRANKSHAFT	1
13	17706	GEAR	CRANKSHAFT	1
14	17992	WASHER	PACKING-CRANKSHAFT GEAR	AR
15	18072	KEY	CRANKSHAFT GEAR	1
16	17874	SLINGER	OIL-CRANKSHAFT-FRONT	1
17- 1	17750	PULLEY	CRANKSHAFT 4-154	1
17- 2	21560	PULLEY	CRANKSHAFT 3 GROOVE W-60 TO APR 78	1
17- 3	23454	PULLEY	CRANKSHAFT 3 GROOVE W-60 FROM APR 78	1
17- 4	23453	COUPLING	MOUNT 23454 PULLEY	1
18	17728	NUT	CRANKSHAFT PULLEY	1
19	17690	CAMSHAFT		1
20	17979	NOZZLE	OIL FEED-CAMSHAFT	2
21	17978	PLATE	CAMSHAFT LOCATING	1
22	17705	GEAR	CAMSHAFT	1
23	18071	KEY	CAMSHAFT GEAR	1
24	17988	NUT	CAMSHAFT GEAR	1
25	17678	WASHER	CAMSHAFT GEAR	1
26	17876	TENSIONER	CHAIN-ASSEMBLY	1
27	17945	RATCHET	SET-TENSIONER	1
28	17878	LOCKWASHER	TENSIONER ASSEMBLY	2
29	17877	GASKET	CHAIN TENSIONER	1
30	17721	CHAIN	TIMING	1
31	17708	PAD	TIMING CHAIN	1
32	17720	DAMPER	TIMING CHAIN	1
33	17709	TABWASHER	TIMING CHAIN DAMPER	1
34	17740	TAPPET	STANDARD	8
35	17591	PUSHROD		8
36	17936	SEAL	OIL-CRANKSHAFT-REAR	1

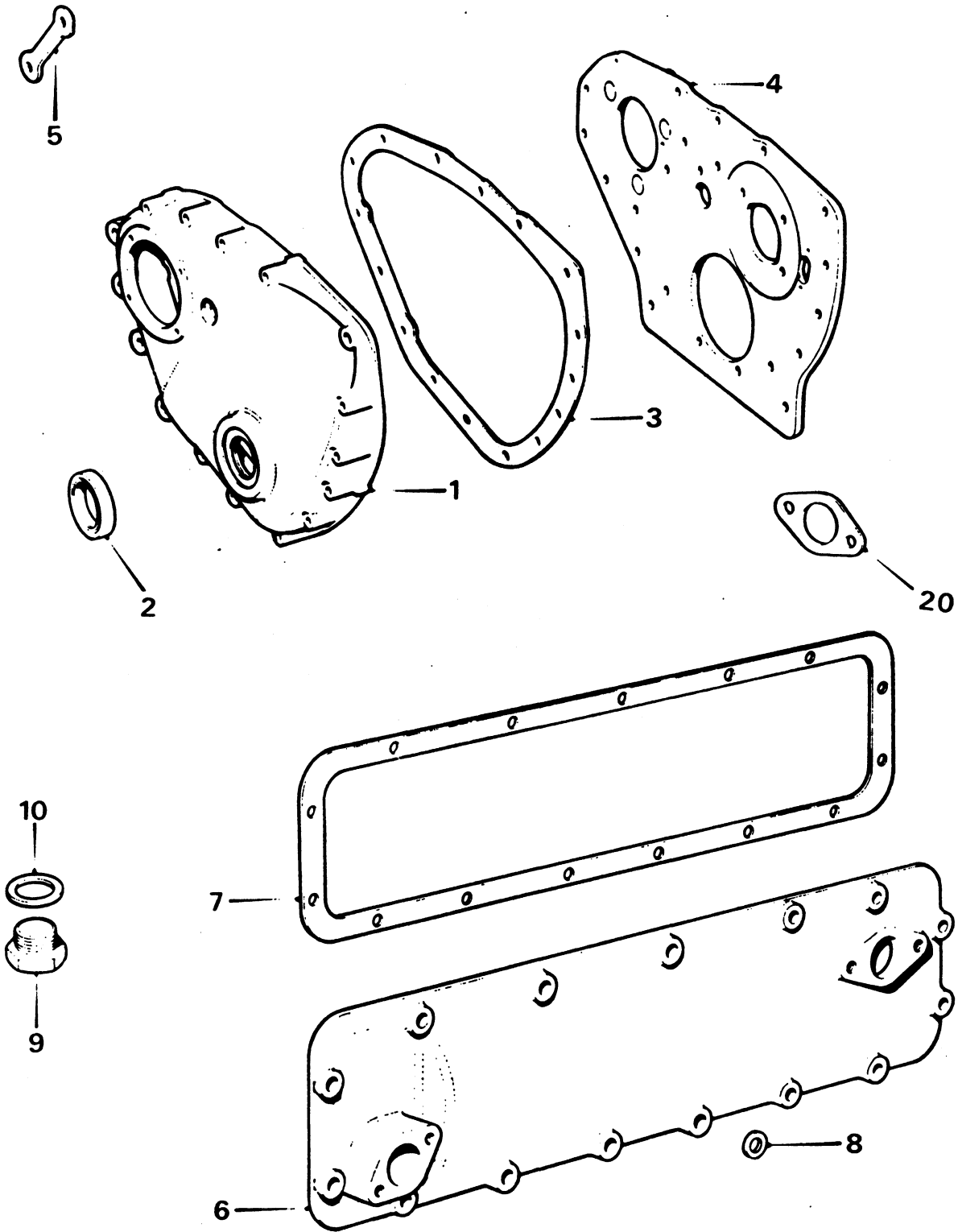
WESTERBEKE 60-ROCKER SHAFT



WESTERBEKE 60-ROCKER SHAFT

REF	PN	NAME	REMARKS	QUAN
1	17695	SHAFT	ROCKER	1
2	17803	PLUG	VALVE ROCKER SHAFT - PLAIN	1
3	17987	PLUG	VALVE ROCKER SHAFT - THREADED	1
4	17704	BRACKET	ROCKER - TAPPED	1
5	17696	BRACKET	ROCKER - PLAIN	3
6	17974	SPACER	ROCKER SHAFT	1
8	17985	SPRING	ROCKER SHAFT	1
10	17715	LOCKWASHER	VALVE ROCKER BRACKET	1
11	17716	ROCKER	ASSEMBLY	8
12	17717	BUSHING	ROCKER ASSEMBLY	8
13	17895	SCREW	ADJUSTING- TAPPED	8
14	17991	LOCKNUT	ADJUSTING SCREW	8
16	17982	WASHER	ROCKER BRACKET	2
21- 1	17751	COVER	VALVE ROCKER 4-154	1
21- 2	23021	COVER	WITH ELBOW FOR BREATHER LINE W-60	1
21- 3	23020	ELBOW	COVER W-60	1
22	17935	CAP	ASSEMBLY - OIL FILL	1
24	13356	WASHER	SPACER W-60	2
25	17679	GASKET	VALVE ROCKER COVER	1
26	17996	BUSHING	VALVE COVER	2
27	14809	WASHER	CUP - VALVE COVER	2
28	17699	NUT	VALVE COVER	2
30- 1	15299	EYE	LIFTING - FRONT & REAR MARINE 4-154	2
30- 2	13162	EYE	LIFTING - REAR GENERATOR	1
30- 3	21708	EYE	LIFTING - FRONT END W-60	1
30- 4		EYE	LIFTING - REAR W-60 SEE COOLING SECTION	1
41	14455	PLUG	WATER PASSAGE	1
42	14642	WASHER	PLUG	1

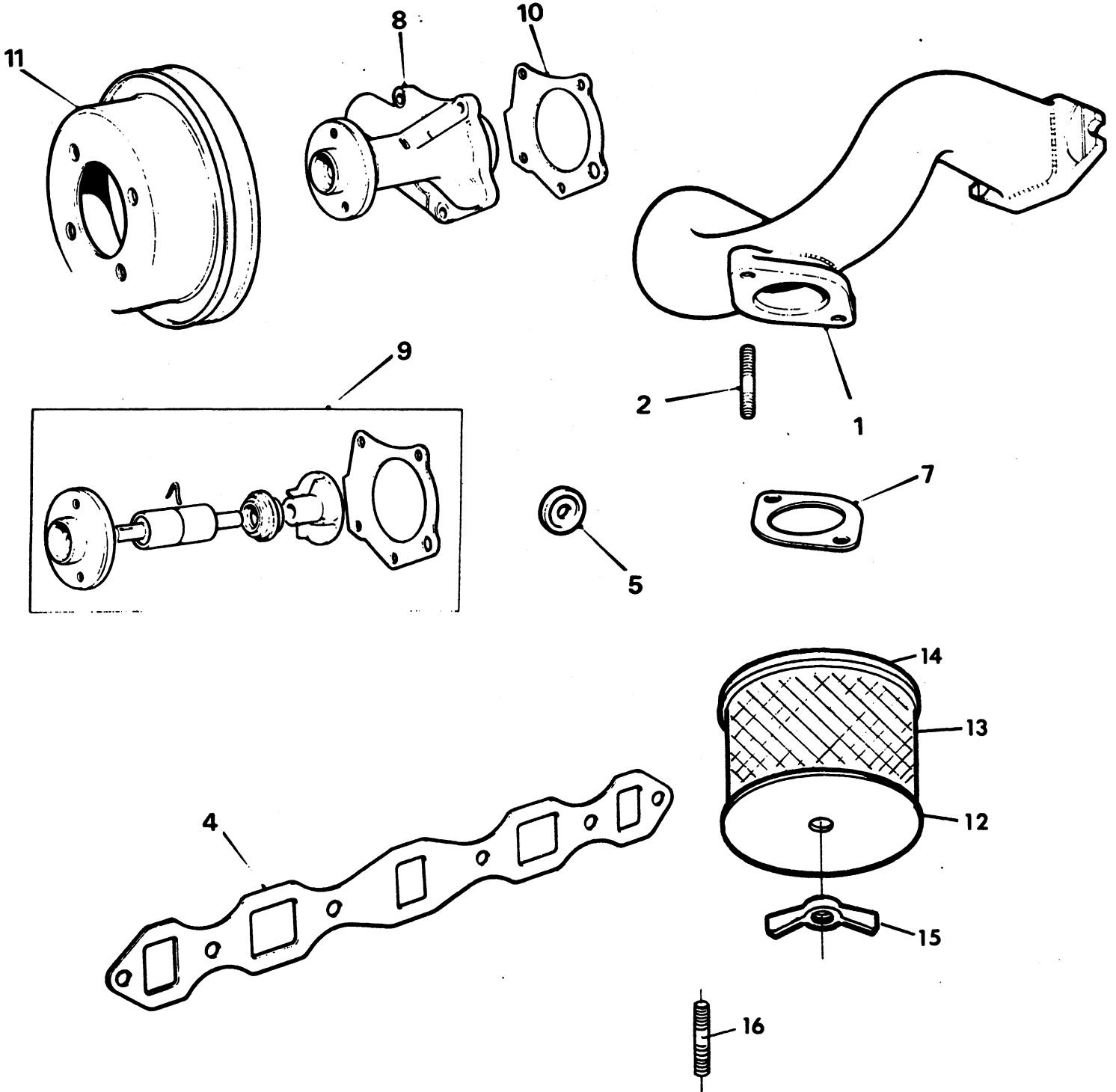
WESTERBEKE 60-TIMING COVER



WESTERBEKE 60-TIMING COVER

REF	PN	NAME	REMARKS	QUAN
1	17875	COVER	TIMING	1
2	17940	SEAL	OIL - TIMING COVER	1
3	17747	GASKET	TIMING COVER	1
4	17719	PLATE	FRONT	1
5	17683	TABWASHER	TIMING COVER	1
6	17733	COVER	SIDE	1
7	17741	GASKET	SIDE COVER	1
8	17997	WASHER	COPPER - SIDE COVER	14
9	14649	PLUG	CYLINDER DRAIN	1
10	14541	WASHER	PLUG - CYLINDER DRAIN	1
20	17734	GASKET	OIL SEPARATOR	1

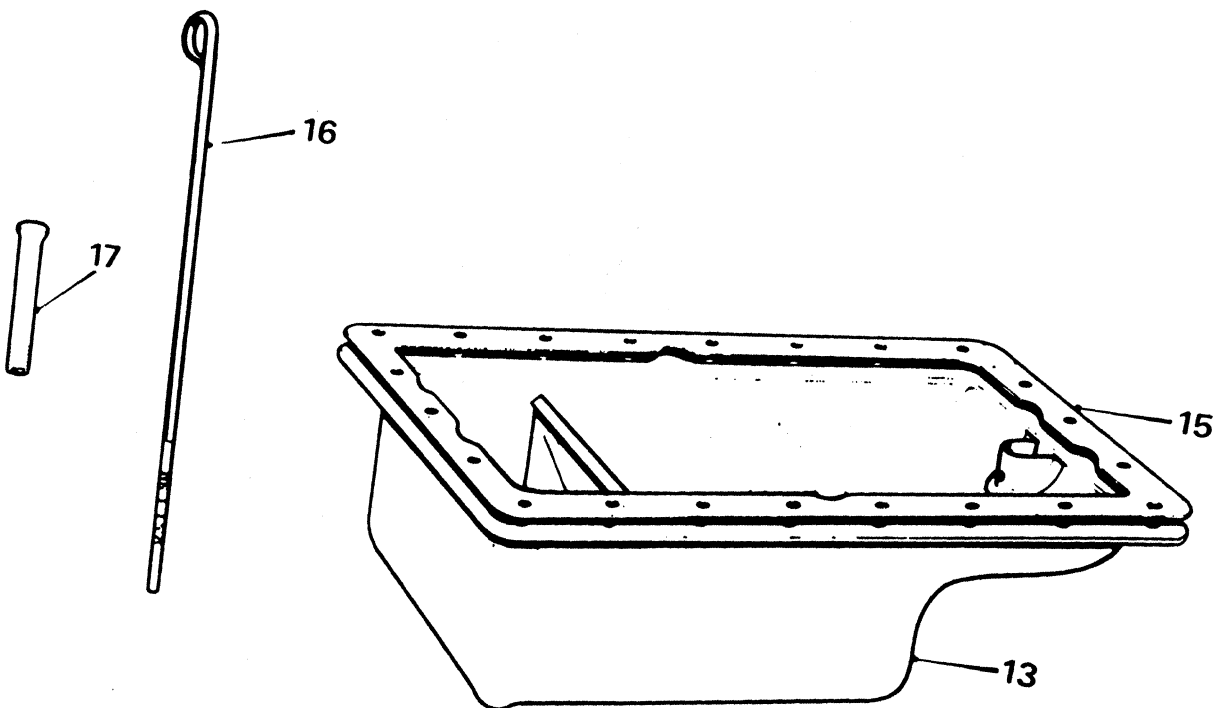
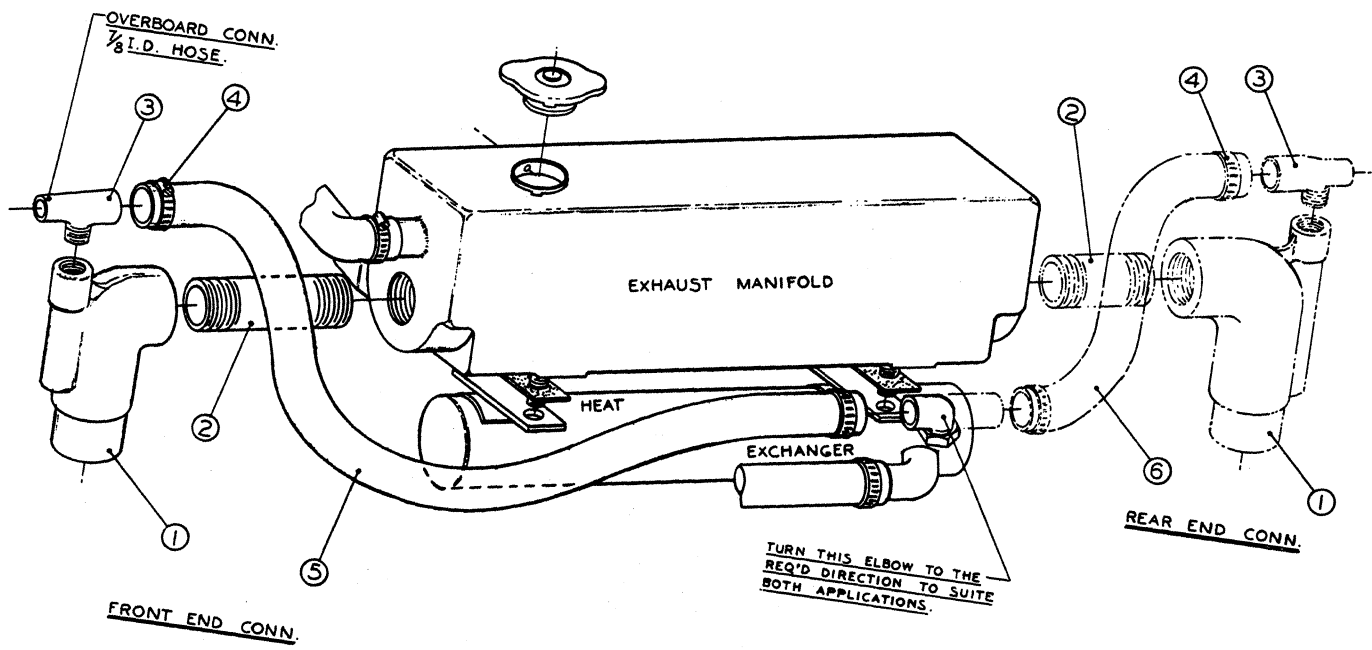
WESTERBEKE 60-INTAKE MANIFOLD-FRESH WATER PUMP



WESTERBEKE 60-INTAKE MANIFOLD-FRESH WATER PUMP

REF	PN	NAME	REMARKS	QUAN
1- 1	17700	MANIFOLD	INTAKE 4-154	1
1- 2		MANIFOLD	W-60 SEE COOLING SECTION	
2	18007	STUD	AIR INTAKE TO MANIFOLD 4-154	2
4	17698	GASKET	EXHAUST MANIFOLD TO BLOCK	1
5	17680	WASHER	CLAMPING-AIR AND EXHAUST MANIFOLDS 4-154	4
7	17701	GASKET	AIR INTAKE TO MANIFOLD 4-154	1
8	17752	PUMP	FRESH WATER	1
9		KIT	REPAIR - WATER PUMP - NOT AVAILABLE	
10	17920	GASKET	WATER PUMP TO CRANKCASE	1
11- 1	17757	PULLEY	WATER PUMP 4-154	1
11- 2	21670	PULLEY	WATER PUMP W-60	1
12	16372	COVER	TOP - AIR INTAKE FILTER 4-154	1
13	16569	FILTER	AIR INLET 4-154	1
14	16371	COVER	BOTTOM - AIR INTAKE FILTER 4-154	1
15	16680	WINGNUT	AIR INLET FILTER 4-154	2
16	19008	STUD	TOP COVER TO BOTTOM COVER 4-154	2

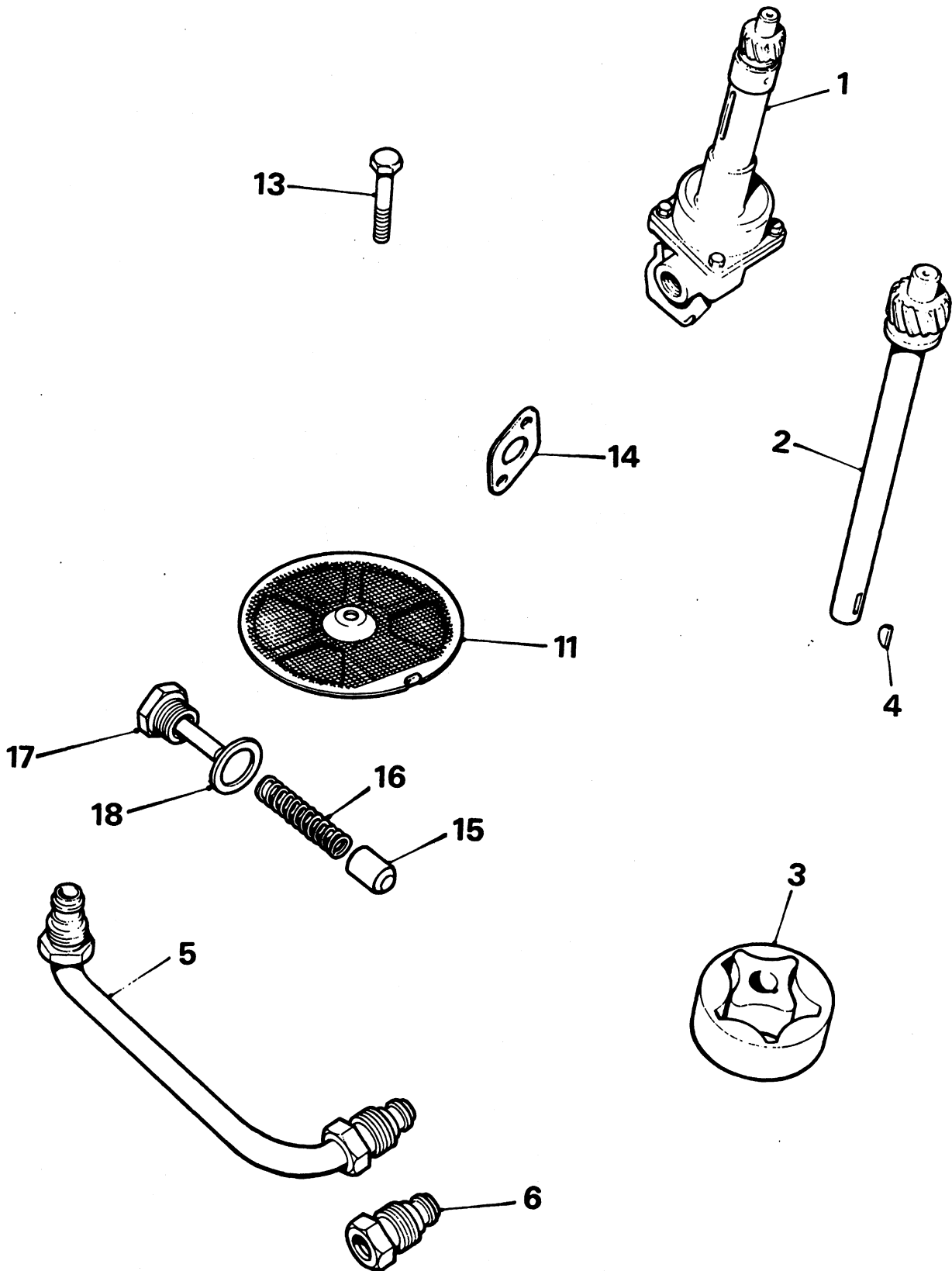
WESTERBEKE 60-EXHAUST ELBOW & OIL SUMP



WESTERBEKE 60-EXHAUST ELBOW & OIL SUMP

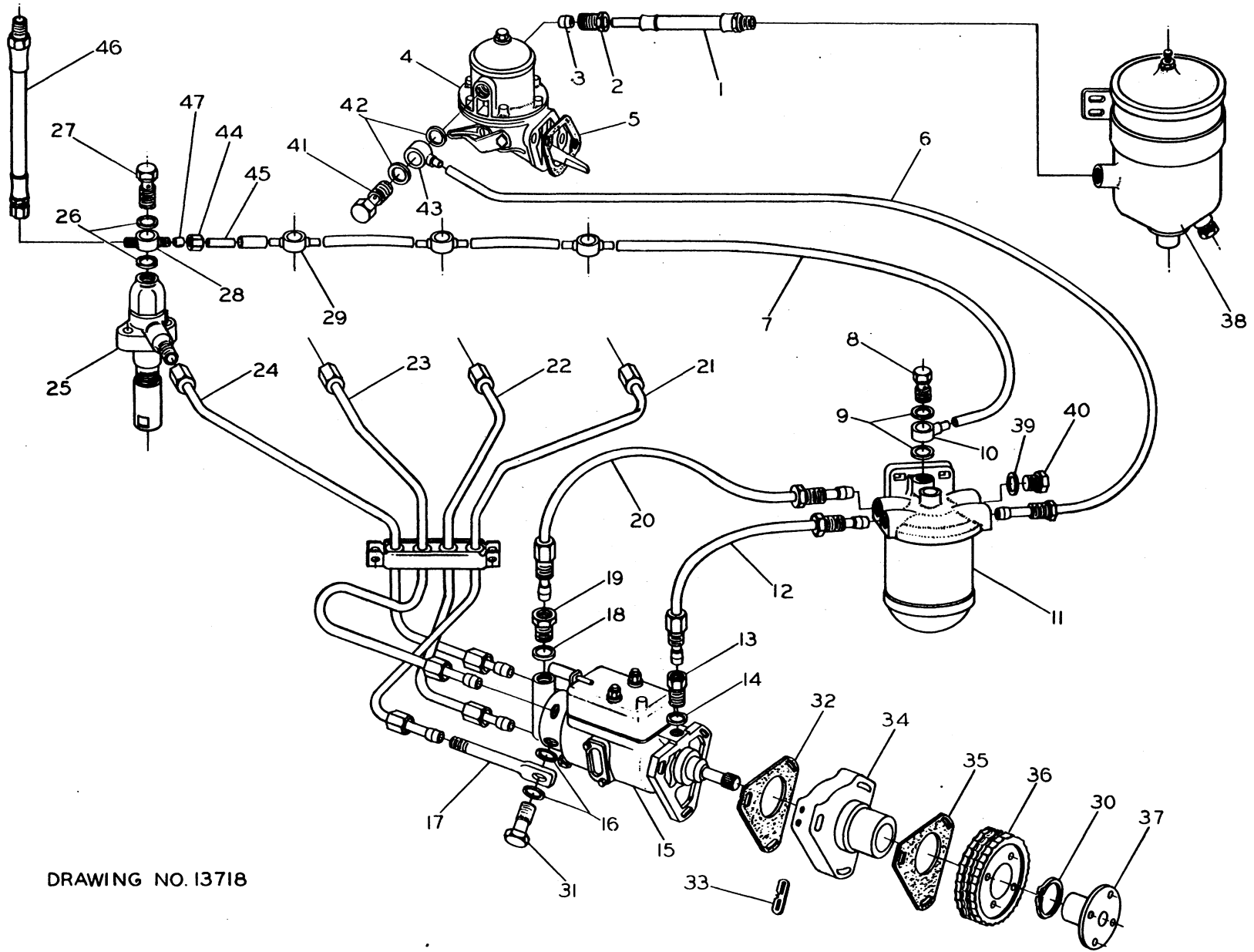
REF	PN	NAME	REMARKS	QUAN
1	15985	ELBOW	WATER INJECTED EXHAUST	1
2	22923	NIPPLE		1
3	23008	TEE		1
4	11405	CLAMP	HOSE	2
5	11779	HOSE	INCHES REQUIRED	30
6	11779	HOSE	INCHES REQUIRED	17
13- 1	16540	SUMP	OIL - 4-154	1
13- 2	21514	SUMP	OIL - WITH DIPSTICK BOSSES ON SIDES W-60	1
14	14528	WASHER	COPPER - DRAIN PLUG 4-154	1
15- 1	17742	GASKET	SUMP 4-154	1
15- 2	21742	GASKET	OIL SUMP W-60	1
16- 1	14439	DIPSTICK	LUBE OIL 4-154	1
16- 2	23289	DIPSTICK	LUBE OIL W-60	1
17- 1	17713	TUBE	DIPSTICK 4-154	1
17- 2	22229	TUBE	DIPSTICK ASSEMBLY W-60	1
18	13716	PLUG	UNUSED DIPSTICK BOSS	1

WESTERBEKE 60-LUBE OIL PUMP



WESTERBEKE 60-LUBE OIL PUMP

REF	PN	NAME	REMARKS	QUAN
1	17691	PUMP	ASSEMBLY - OIL	1
2	17944	SHAFT		1
3	17753	ROTOR	PAIR	1
4	17943	KEY	SHAFT	1
5	17694	LINE	OIL DELIVERY	1
6	17976	ADAPTER	OIL DELIVERY LINE	2
11	17891	SCREEN	BOTTOM - OIL STRAINER	1
13	17999	BOLT	OIL STRAINER	1
14	17934	GASKET	OIL STRAINER TO PUMP	1
15	14550	VALVE	OIL RELEASE	1
16	17989	SPRING	OIL RELEASE VALVE	1
17	17718	PLUG	OIL RELEASE VALVE	1
18	14528	WASHER	PLUG - OIL RELEASE VALVE	1
22	21677	EXTENTION	OIL PICKUP SCREEN - BOTTOM OF PUMP	1

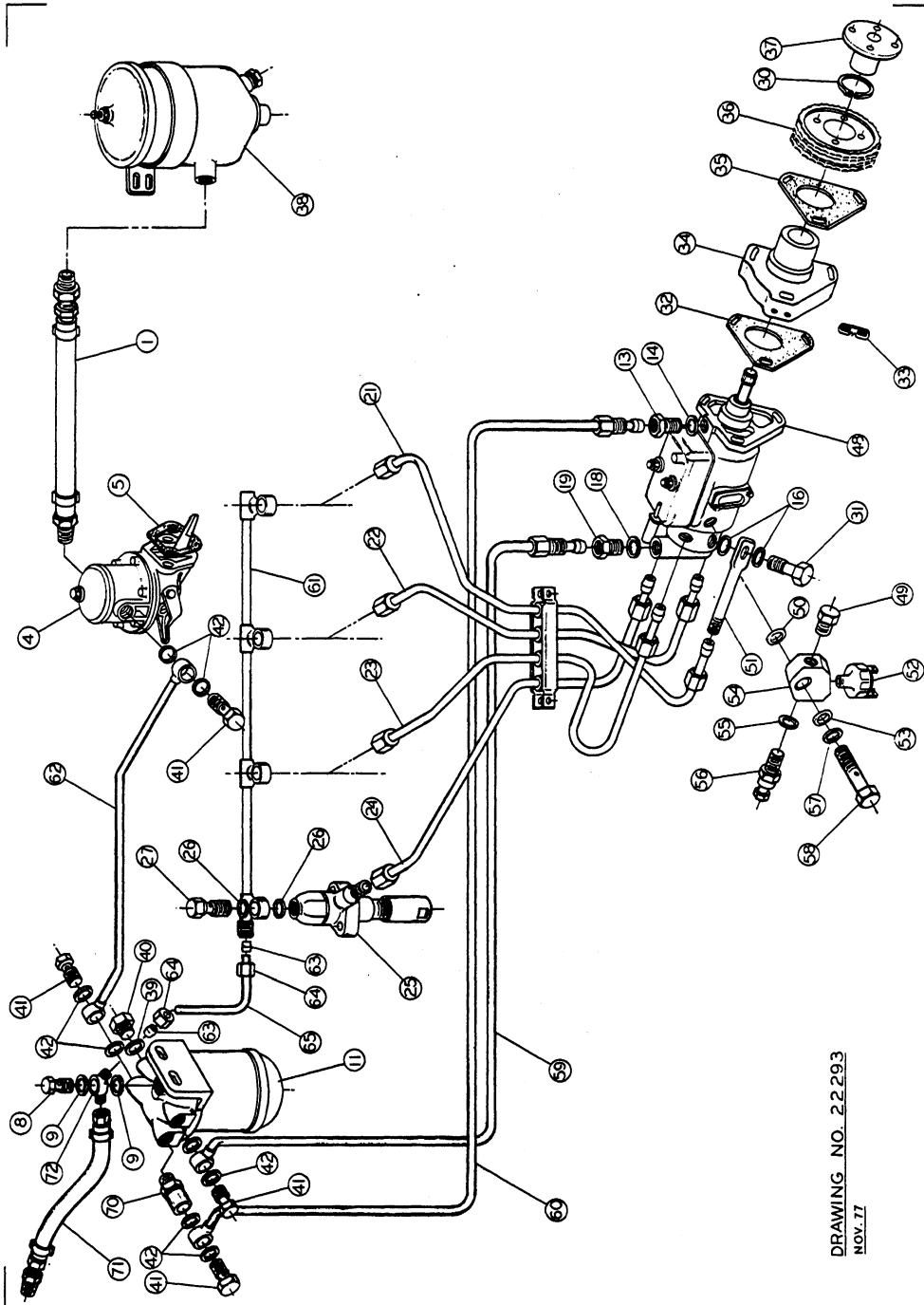


DRAWING NO. 13718

FOUR-154-FUEL SYSTEM

REF	PN	NAME	REMARKS	QUAN
1	20938	HOSE	FUEL FEED TO LIFT PUMP	1
4- 1	17755	PUMP	FUEL LIFT	1
4- 2	14660	KIT	FUEL LIFT PUMP REPAIR-MINOR	1
5	17856	GASKET	FUEL LIFT PUMP TO BLOCK	1
6	17756	LINE	FUEL LIFT PUMP TO FILTER	1
7	17732	LINE	INJECTOR RETURN TO FILTER	AR 1
8	17650	BOLT	BANJO	1
9	11943	WASHER	BANJO BOLT	2
10	17589	BANJO	FUEL FILTER TOP	1
11- 1	14777	FILTER	FUEL-COMPLETE	1
11- 2	14776	ELEMENT	FUEL FILTER	1
12	17766	LINE	INJECTION PUMP TO FUEL FILTER	1
15	17942	PUMP	FUEL INJECTION-WHEN ORDERING SPECIFY IF	1
15			MARINE ENGINE OR GENERATOR FOR PROPER	
15			SETTING	
20	17766	LINE	FUEL FILTER TO PUMP	1
21	17784	LINE	INJECTOR 1	1
22	17785	LINE	INJECTOR 2	1
23	17786	LINE	INJECTOR 3	1
24	17802	LINE	INJECTOR 4	1
25	17808	INJECTOR	ASSEMBLY	4
26	11943	WASHER	BANJO	8
27	11935	BOLT	INJECTOR BANJO	4
28	11936	BANJO		1
29	15424	BANJO		3
32	17929	GASKET		1
33	17930	INDICATOR	TIMING	1
34	17746	HUB		1
35	17749	GASKET		1
36	17883	GEAR	DRIVING	1
37	17738	FLANGE	DRIVING	1
38	11598	FILTER	PRIMARY FUEL	1
44	13344	NUT		1
45	11783	TUBING	3/16 IN OD	1
46	20950	HOSE	FUEL RETURN	1
47	13343	FERRULE		1

WESTERBEKE 60-FUEL SYSTEM



DRAWING NO. 22293
NOV. 77

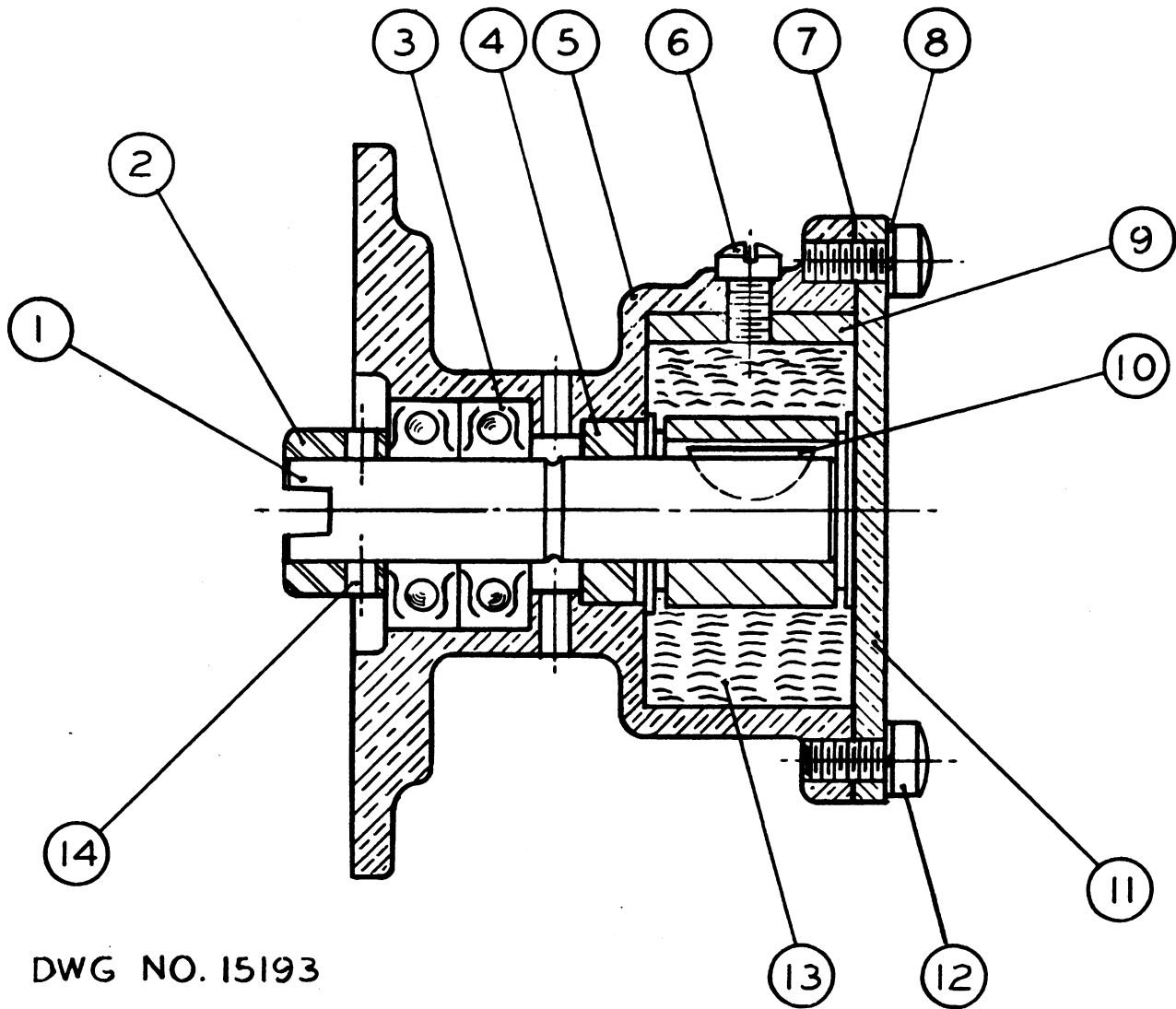
DESIGNED BY	J. H. WESTERBEKE CORP.
DRAWN BY	AVOIN, MA 02322
CHECKED BY	WESTERBEKE 60 FUEL SYSTEM
ILLUSTRATION MANUAL	8-9-77
FIGURE NUMBER	22293

WESTERBEKE 60-FUEL SYSTEM

WESTERBEKE 60-FUEL SYSTEM

REF	PN	NAME	REMARKS	QUAN
1	20938	HOSE	FUEL FEED TO LIFT PUMP	1
4- 1	17775	PUMP	FUEL LIFT	1
4- 2	14660	KIT	FUEL LIFT PUMP REPAIR	1
5	17856	GASKET	FUEL LIFT PUMP TO BLOCK	1
8	12351	BOLT	BANJO	1
9	11944	WASHER	BANJO	2
11- 1	14777	FILTER	FUEL-COMPLETE	1
11- 2	14776	ELEMENT	FUEL FILTER	1
11- 3	14583	BRACKET		1
21	17784	LINE	INJECTOR 1	1
22	17785	LINE	INJECTOR 2	1
23	17786	LINE	INJECTOR 3	1
24	17802	LINE	INJECTOR 4	1
25	17808	INJECTOR		4
26	11943	WASHER	BANJO	8
27	11935	BOLT	INJECTOR BANJO	4
32	17929	GASKET		1
33	17930	INDICATOR	TIMING	1
34	17746	HUB		1
35	17749	GASKET		1
36	17883	GEAR	DRIVING	1
37	17738	FLANGE	DRIVING	1
38	11598	FILTER	PRIMARY FUEL	1
39	14541	WASHER		1
40	14664	BOLT	FUEL FILTER	1
41	11999	BOLT	BANJO	4
42	11998	WASHER	BANJO	8
48	17942	PUMP	FUEL INJECTION-WHEN ORDERING SPECIFY IF MARINE ENGINE OR GENERATOR FOR PROPER SETTING	1
48				
48				
49	11615	PLUG		1
50	19321	O-RING		1
52	11383	SWITCH	FUEL PRESSURE	1
53	19320	O-RING		1
54	19185	ADAPTER		1
55	19261	WASHER	COPPER	1
56	19204	SCREW	BLEED-ASSEMBLY	1
57	19442	WASHER		1
58	19187	SCREW		1
59	21893	LINE	FILTER TO INJECTION PUMP	1
60	21892	LINE	INJECTION PUMP LEAK-OFF TO FILTER	1
61	23300	LINE	INJECTOR RETURN TO FILTER	1
62	22223	LINE	LIFT PUMP TO FILTER	1
63	13343	FERRULE		2
64	13344	NUT		2
65	23006	TUBE	INJECTOR RETURN TO FILTER	1
71	20950	HOSE	FUEL RETURN	1
72	11936	BANJO	FUEL FILTER	1

FOUR-154-SEA WATER PUMP TO APRIL 1974

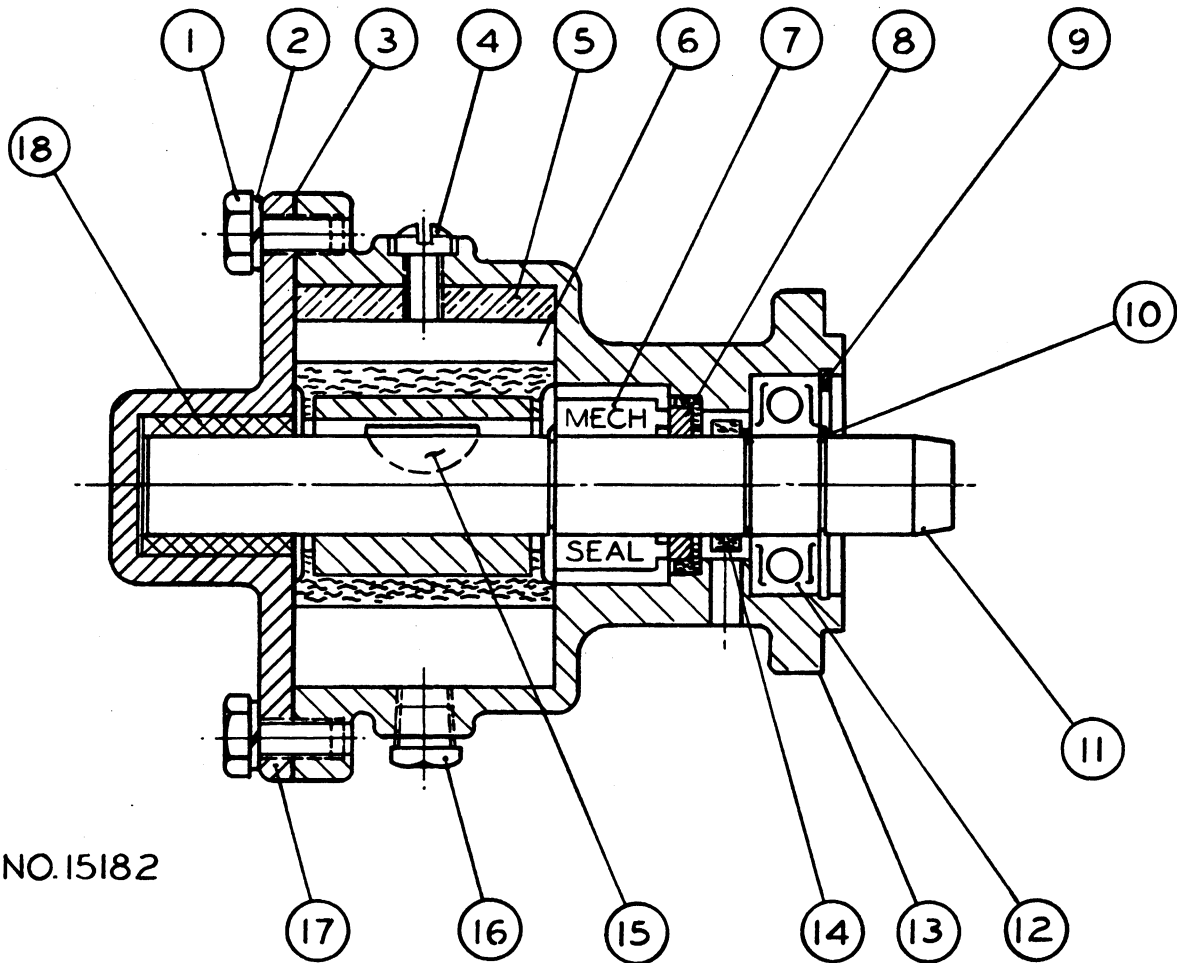


DWG NO. 15193

FOUR-154-SEA WATER PUMP TO APRIL 1974

REF	PN	NAME	REMARKS	QUAN
1	18176	SHAFT		1
2	18138	COUPLING		1
3	18170	BEARING		2
4	18159	SEAL	PRIMARY	1
5- 1	18169	HOUSING	PUMP	1
5- 2	16423	PUMP	COMPLETE	1
5- 3	18172	KIT	MAJOR REPAIR	1
6	18160	SCREW	PUMP HOUSING TO CAM	1
7	15153	GASKET	COVER TO PUMP HOUSING	1
9	12916	CAM		1
10	18148	KEY		1
11	18171	COVER		1
12	18151	SCREW	COVER TO PUMP HOUSING	4
13	11418	IMPELLER		1
14	18141	PIN	COUPLING	1

FOUR-154-SEA WATER PUMP FROM APRIL 1974

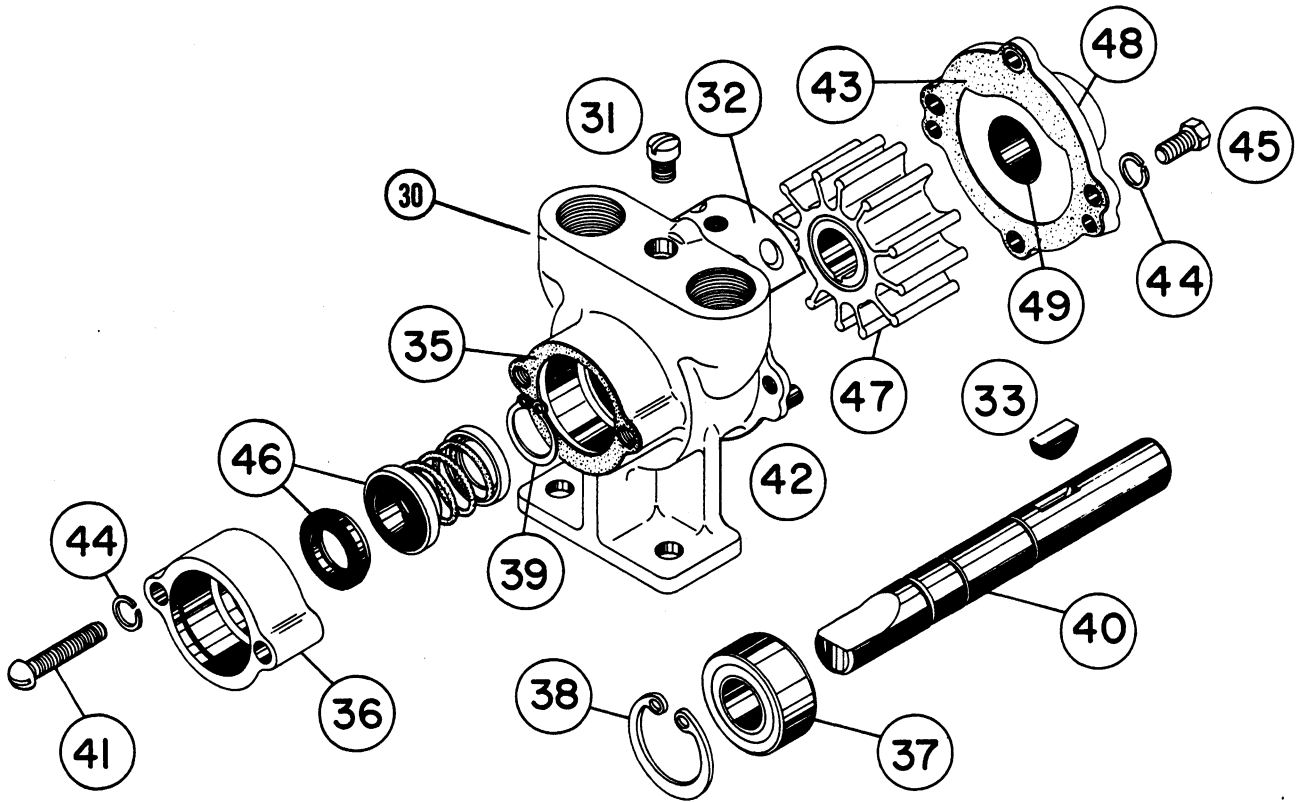


DWG NO.15182

FOUR-154-SEA WATER PUMP FROM APRIL 1974

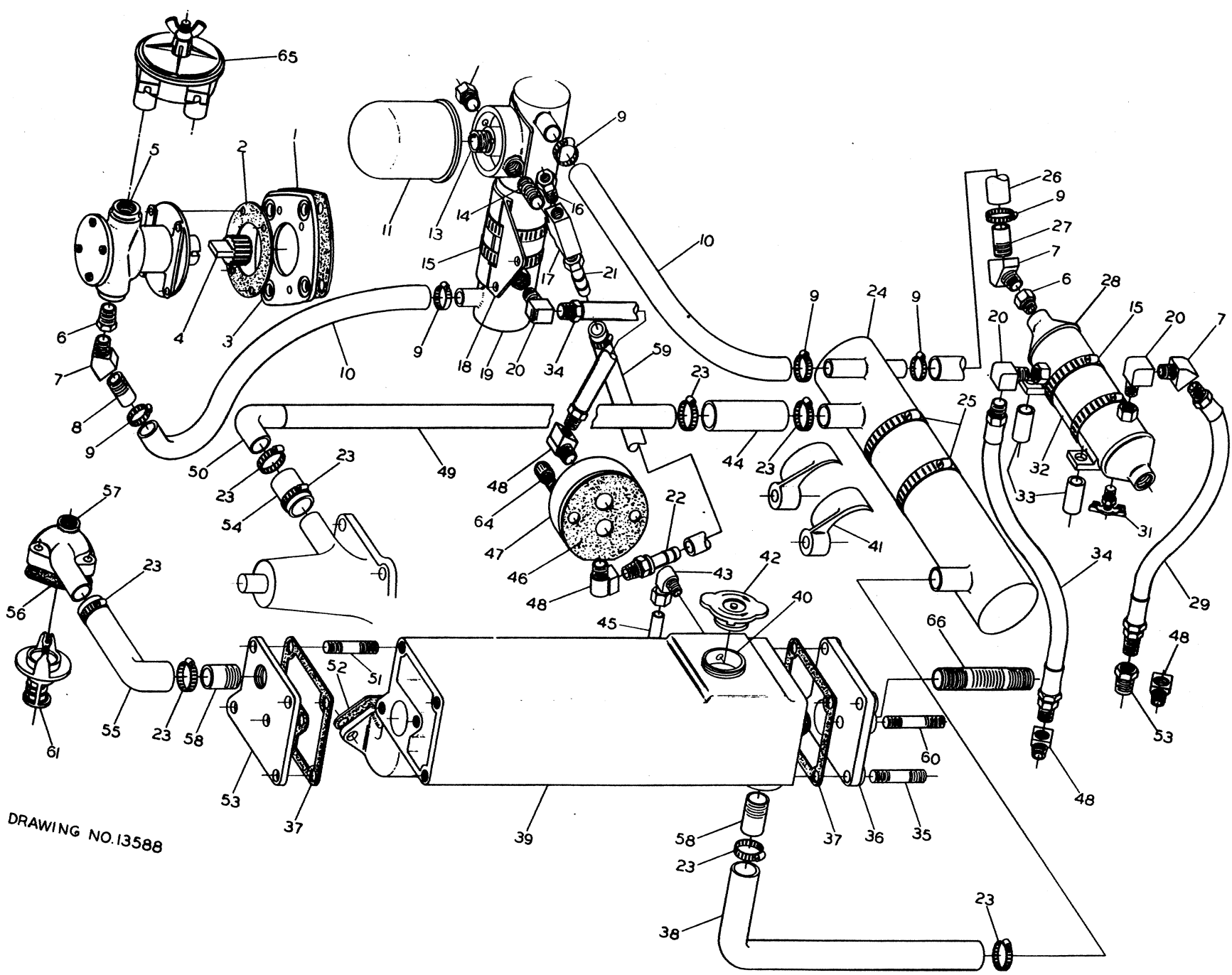
REF	PN	NAME	REMARKS	QUAN
1	18143	SCREW	COVER TO PUMP HOUSING	4
2	18142	DOWEL	COVER TO PUMP HOUSING	2
3	13954	GASKET	COVER TO PUMP HOUSING	1
4	18160	SCREW	PUMP HOUSING TO CAM	1
5	18166	CAM		1
6	13930	IMPELLER		1
7	14774	SEAL	PRIMARY	1
9	18146	SNAPRING	OUTBOARD BEARING	1
10	18145	SNAPRING	INBOARD BEARING	3
11	18174	SHAFT		1
12	18144	BEARING		1
13- 1	18173	HOUSING	PUMP	1
13- 2	16432	PUMP	COMPLETE	1
13- 3	15131	KIT	REPAIR	1
14	18150	SLINGER		1
15	18148	KEY	IMPELLER TO SHAFT	1
16	18139	DRAINPLUG		1
17	18155	COVER	ASSEMBLY	1
18	18149	BUSHING	SHAFT END	1
19	12290	COLLAR	SHAFT SUPPORT	1
20	13697	DRIVE	SPLINED	1

WESTERBEKE 60-SEA WATER PUMP



WESTERBEKE 60-SEA WATER PUMP

REF	PN	NAME	REMARKS	QUAN	
30-	1	11353	PUMP	COMPLETE	1
30-	2	18179	HOUSING	PUMP	1
30-	3	11907	KIT	IMPELLER REPLACEMENT	1
31		18151	SCREW	PUMP HOUSING TO CAM	1
32		18152	CAM		1
33		18148	KEY	IMPELLER TO SHAFT	1
34		18139	PLUG	DRAIN	1
35		18154	GASKET	BEARING TO PUMP HOUSINGS	1
36		18180	HOUSING	BEARING	1
37		18144	BEARING		1
38		18146	SNAPRING	OUTBOARD BEARING	1
39		18145	SNAPRING	INBOARD BEARING	3
40		18164	SHAFT		1
41		18147	SCREW	BEARING TO PUMP HOUSINGS	2
42		18142	PIN	COVER TO PUMP HOUSING	2
43		11419	GASKET	IMPELLER COVER	1
45		18143	SCREW	IMPELLER COVER	4
46		14774	SEAL	PRIMARY	1
47		11418	IMPELLER		1
48		18153	COVER	IMPELLER	1
49		18149	BUSHING	SHAFT END	1
50		22392	KEY	DRIVE PULLEY TO SHAFT	1

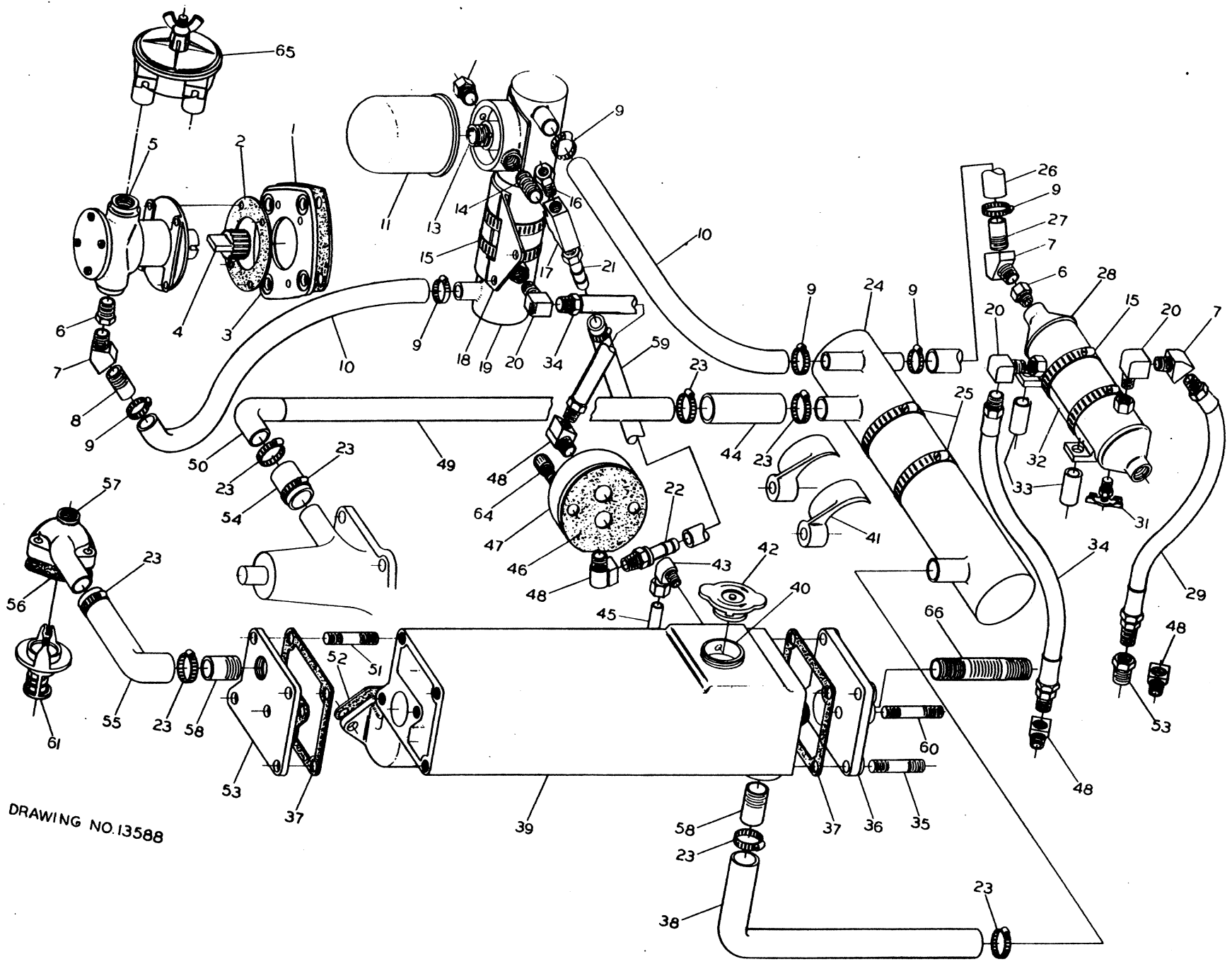


FOUR-154-COOLING SYSTEM

DRAWING NO.13588

FOUR-154-COOLING SYSTEM

REF	PN	NAME	REMARKS	QUAN
1	17587	GASKET	PUMP ADAPTER TO TIMING COVER	1
2- 1	11143	GASKET	16423 PUMP TO TIMING COVER	1
2- 2	17614	GASKET	16432 SEA WATER PUMP TO ADAPTER	1
3- 1	16634	PLATE	MOUNTING FOR PUMP 16423	1
3- 2	19060	PLATE	MOUNTING - FOR 16432 PUMP	1
4- 1	16626	DRIVE	16423 SEA WATER PUMP	1
4- 2	13697	DRIVE	16432 SEA WATER PUMP	1
5- 1	16423	PUMP	SEA WATER TO APRIL 1974	1
5- 2	16432	PUMP	SEA WATER FROM APRIL 1974	1
6	11659	BUSHING		3
7	13337	ELBOW		2
8	19065	NIPPLE	HOSE	2
9	11341	CLAMP	HOSE	6
10	19059	TUBING		3
11	16655	FILTER	LUBE OIL	1
12	13716	PLUG	HEX HEAD	1
13- 1	13610	NIPPLE		1
13- 2	13971	SCREW	OIL FILTER NIPPLE LOCKING	1
14	11650	NIPPLE		1
15	11411	CLAMP	COOLER TO BRACKET	4
16	13717	BUSHING		1
17	13715	TEE		1
18	13464	BRACKET	COOLER TO BLOCK	1
19	16403	COOLER	LUBE OIL	1
20	13338	ELBOW		4
21	11777	ADAPTER	NO SWIVEL	1
22	11776	ADAPTER	SWIVEL	1
23	11405	CLAMP	HOSE	8
24	19058	EXCHANGER		1
25	11505	CLAMP		2
26	11517	LINE	OIL	1
27	13519	NIPPLE		1
28	11657	COOLER	GEAR OIL	1
29	11926	HOSE		1
31	11471	PETCOCK		1
32	11017	BRACKET	COOLER	1
33	13621	SPACER	HEAT EXCHANGER BRACKET	2
34	11923	HOSE		1
35	16466	STUD	EXHAUST FLANGE TO MANIFOLD	3
36	16379	FLANGE	EXHAUST	1
37	16380	GASKET	EXHAUST FLANGE TO MANIFOLD	1
38	13825	HOSE	SEA WATER	1
39	16383	MANIFOLD	EXHAUST	1
40	11751	NECK	FILLER	1
41	11115	BRACKET	HEAT EXCHANGER MOUNTING	2
42	11499	CAP	FILLER	1
43	13329	ELBOW	OVERFLOW LINE	1
44	15774	HOSE		1
45	11500	TUBING	OVERFLOW	1
46	14567	GASKET	LUBE OIL ADAPTER TO BLOCK	1
47	12254	ADAPTER	ENGINE LUBE OIL BOSS	1
48	13330	ELBOW	STREET	4
49	11504	TUBING	COPPER	1



FOUR-154-COOLING SYSTEM

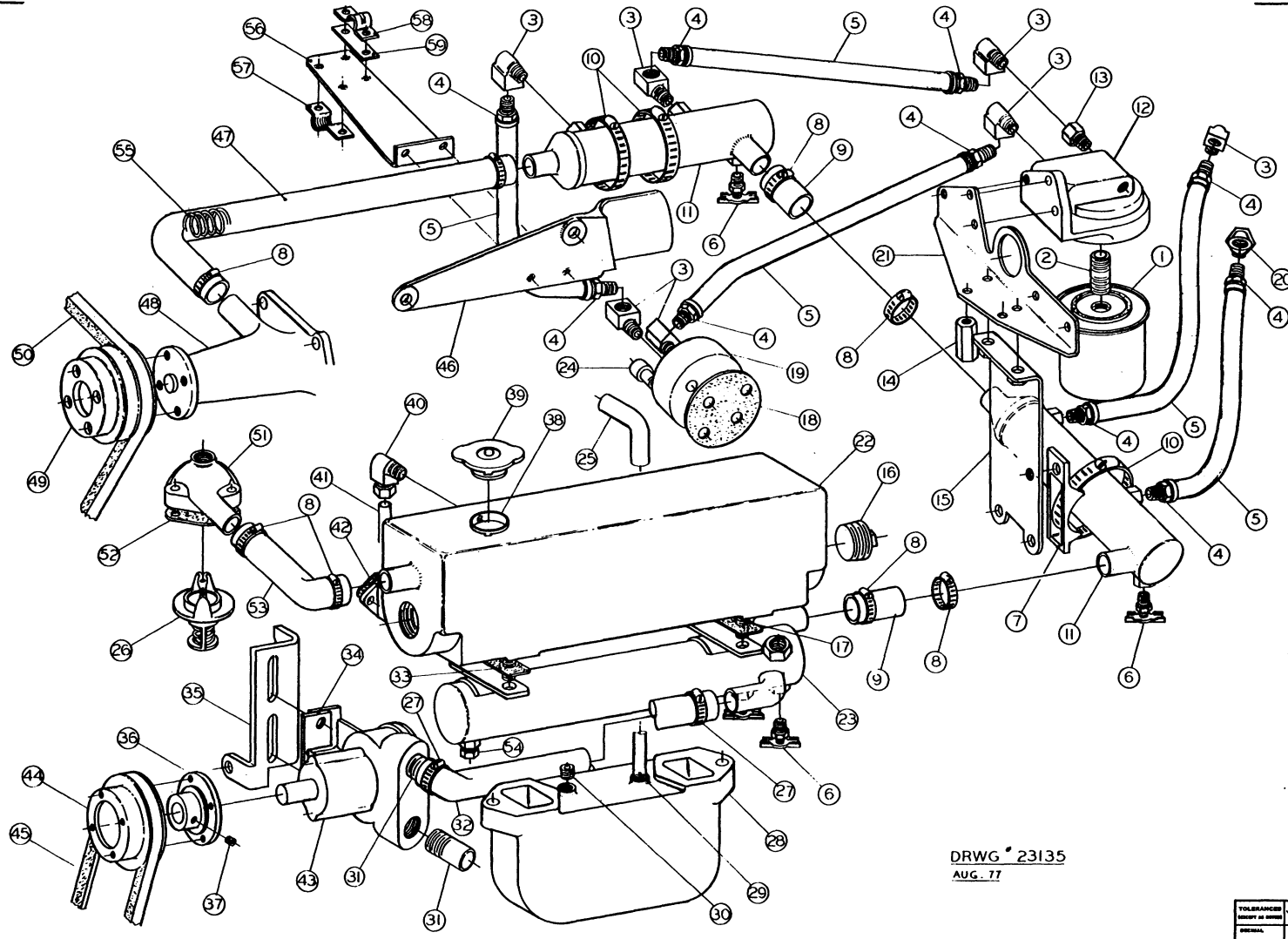
DRAWING NO. 13588

FOUR-154-COOLING SYSTEM

REF	PN	NAME	REMARKS	QUAN
50	11502	ELBOW	COPPER	1
51	16415	STUD	EXCHANGER TO MANIFOLD	1
52	17698	GASKET	MANIFOLD TO HEAD	1
53	16381	PLATE	MANIFOLD FRONT COVER	1
54	11501	HOSE		1
55	11652	HOSE	FRESH WATER	1
56	17703	GASKET	THERMOSTAT	1
57	16370	HOUSING	THERMOSTAT	1
58	11285	CONNECTOR		2
59	11775	HOSE	FOR LUBE AND GEAR OIL PIPING	AR
60	11157	STUD	EXHAUST FLANGE TO MANIFOLD	1
61	18136	THERMOSTAT		1
63- 1	11659	BUSHING	HOSE 11926 TO WARNER GEAR	1
63- 2	13330	ELBOW	HOSE 11926 TO PARAGON GEAR	1
64	11995	SCREW	LUBE OIL ADAPTER TO BLOCK	2
65	15010	STRAINER	SEA WATER	1
66	15105	LINE	FLEXIBLE EXHAUST - 12 IN LONG	1

WESTERBEKE 60-COOLING SYSTEM

REF	PN	NAME	REMARKS	QUAN
1	16655	FILTER	LUBE OIL	1
2	13610	NIPPLE	LUBE OIL FILTER	1
3	13330	ELBOW	OIL LINES	AR
4	11776	ADAPTER	OIL LINES	AR
5	11775	HOSE	OIL LINES	AR
6- 1	11471	PETCOCK	EXCHANGER AND COOLERS	AR
6- 2	14152	PETCOCK	BLOCK DRAIN	1
7	21467	BRACKET	TRANSMISSION OIL COOLER	1
8	21878	CLAMP	HOSE	AR
9	11501	HOSE		AR
10	11411	CLAMP	OIL COOLER MOUNT	AR
11	22032	COOLER	OIL	AR
12	21690	ADAPTER	LUBE OIL FILTER	1
13	13332	ADAPTER	LUBE OIL LINE TO FILTER	1
14	14511	PILLAR	SUPPORT LIFTING EYES AND FILTER BRACKET	4
15	21738	BRACKET		1
16	19324	PLUG	EXHAUST MANIFOLD	1
17	11928	STUD	HEAT EXCHANGER	4
18	14567	GASKET	LUBE OIL ADAPTER TO BLOCK	1
19	22320	ADAPTER	LUBE OIL LINES TO BLOCK	1
20	13331	ELBOW		AR
21	21739	BRACKET	FILTERS AND REAR LIFTING EYE	1
22- 1	21562	MANIFOLD		1
22- 2	16404	PLUG	EXPANSION 1.5 IN	1
22- 3	19334	PLUG	EXPANSION 1.25 IN	1
23	21903	EXCHANGER		1
24	11995	SCREW	LUBE OIL ADAPTER TO BLOCK	2
25	11656	HOSE	BREATHER	1
26	18136	THERMOSTAT		1
27	11405	CLAMP	HOSE	2
28	22036	SILENCER	AIR INTAKE	1
29	23016	TUBE	BREATHER	1
30	23143	PLUG	AIR SILENCER	1
31	11254	NIPPLE	SEA WATER PUMP TO HOSE	2
32	22033	HOSE	HEAT EXCHANGER TO SEA WATER PUMP	1
33	22000	GASKET	HEAT EXCHANGER	2
34	21740	BRACKET	SEA WATER PUMP	1
35	21546	BRACKET	SEA WATER PUMP	1
36	21612	COULPING	SEA WATER PUMP	1
37	11357	SCREW	COUPLING	1
38	11751	NECK		1
39	11499	CAP		1
40	13329	ELBOW	OVERFLOW LINE	1
41	11500	TUBING	OVERFLOW LINE-INCHES REQD	14
42	17698	GASKET	MANIFOLD TO HEAD	1
43	11353	PUMP	SEA WATER	1
44	17757	PULLEY	SEA WATER PUMP	1
45	22013	BELT	SEA WATER PUMP	1
46	21736	BRACKET	OIL COOLER	1
47	19315	HOSE	FW PUMP TO OIL COOLER	1



DRWG # 23135
AUG. 77

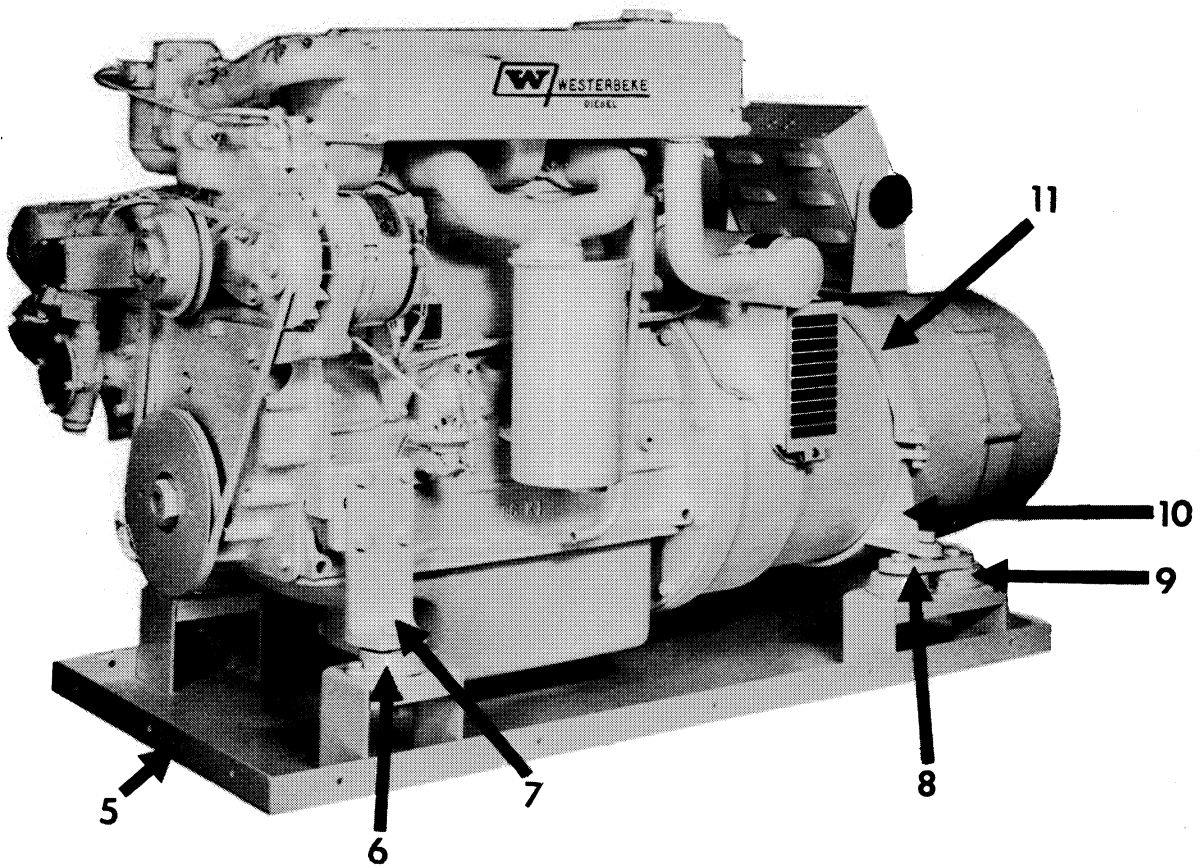
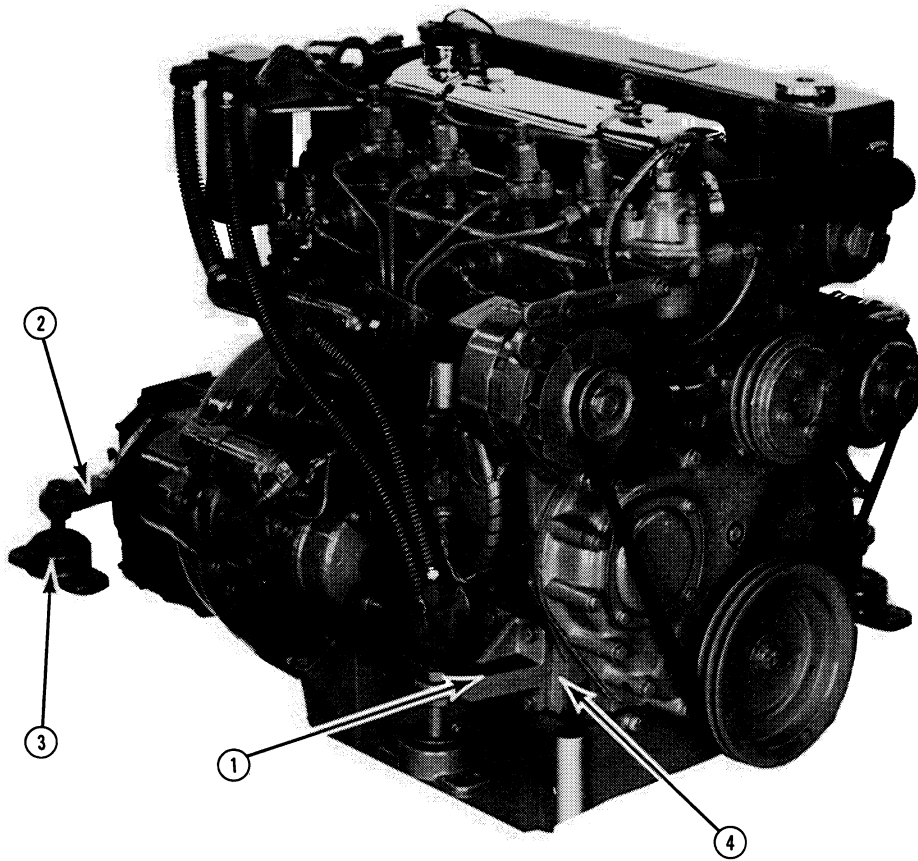
TOLERANCES UNLESS OTHERWISE SPECIFIED	J.H. WESTERBEKE CORP. AVON, MA. 02322		
DRAWN BY	SCALE	DATE	APPROVED BY
FRANCIS	NONE		
CHECKED BY	TITLE ILLUSTRATION OF W60 DIESEL ENGINE COOLING SYSTEM.		
DATE	REVISED	PART NUMBER	
8-29-77		23135	

WESTERBEKE 60-COOLING SYSTEM

SEE DRAWING 14000 FOR MANY DIMENSIONS

MADE IN U.S.A.

WESTERBEKE 60 AND WPDS 20-MOUNTS



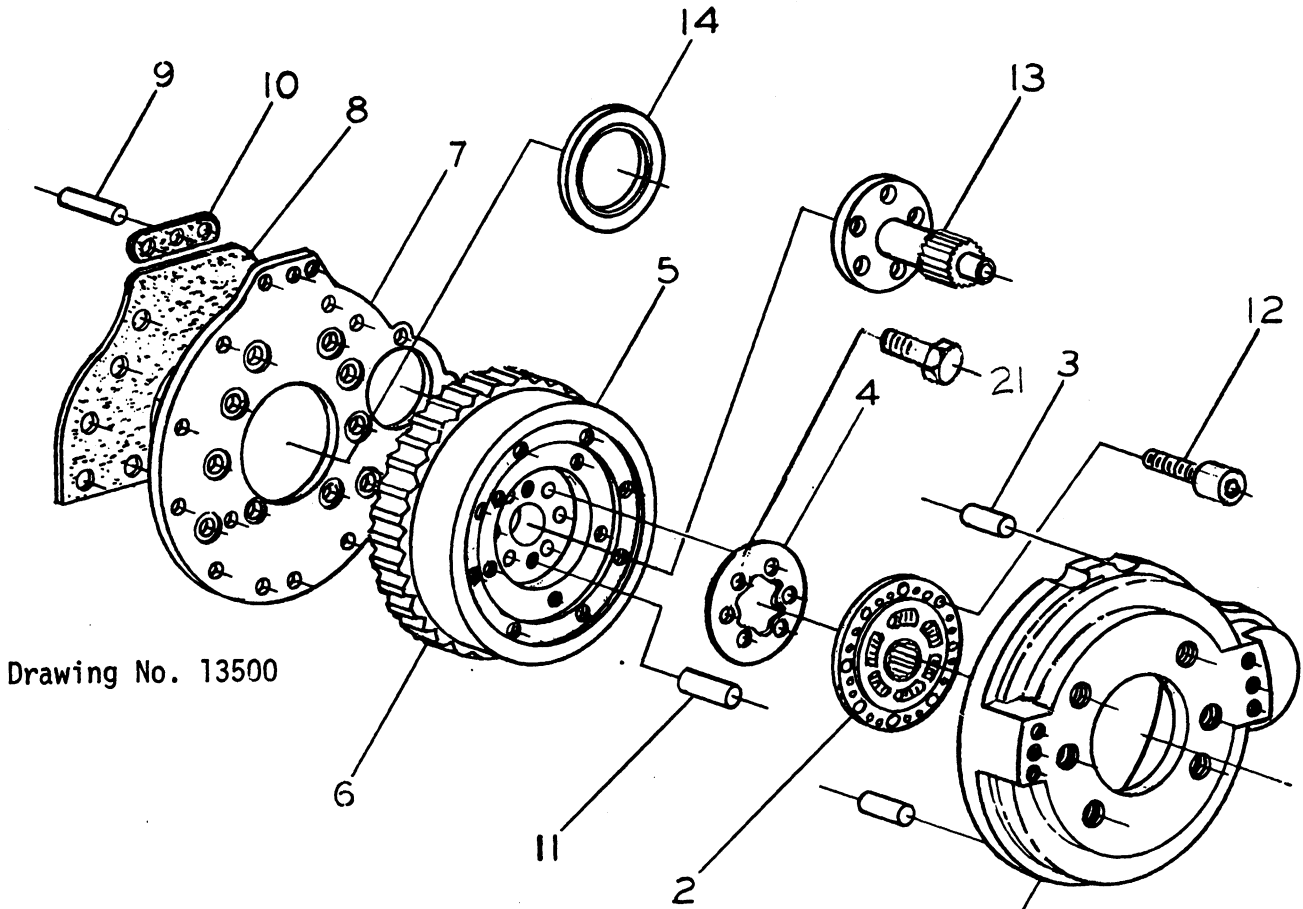
WESTERBEKE 60-COOLING SYSTEM

REF	PN	NAME	REMARKS	QUAN
48	17752	PUMP	FRESH WATER	1
49	21670	PULLEY	FRESH WATER PUMP	1
50	22030	BELT	ALTERNATOR AND FW PUMP	1
51	21724	HOUSING	THERMOSTAT	1
52	17703	GASKET	THERMOSTAT	1
53	19315	HOSE	THERMOSTAT	1
54	11885	ZINC		1
55	23134	SPRING	SUPPORT HOSE FW PUMP TO COOLER	1
56	23427	BRACKET	THROTTLE CABLE SUPPORT	1
57	13325	CLAMP		1
58	13871	CLAMP		1
59	13870	SHIM		1
70	15010	STRAINER	SEA WATER-OPTIONAL	1
71	21513	FILTER	REMOTE LUBE OIL-OPTIONAL	1
72	12169	LINE	FLEXIBLE EXHAUST 12 IN LONG	1

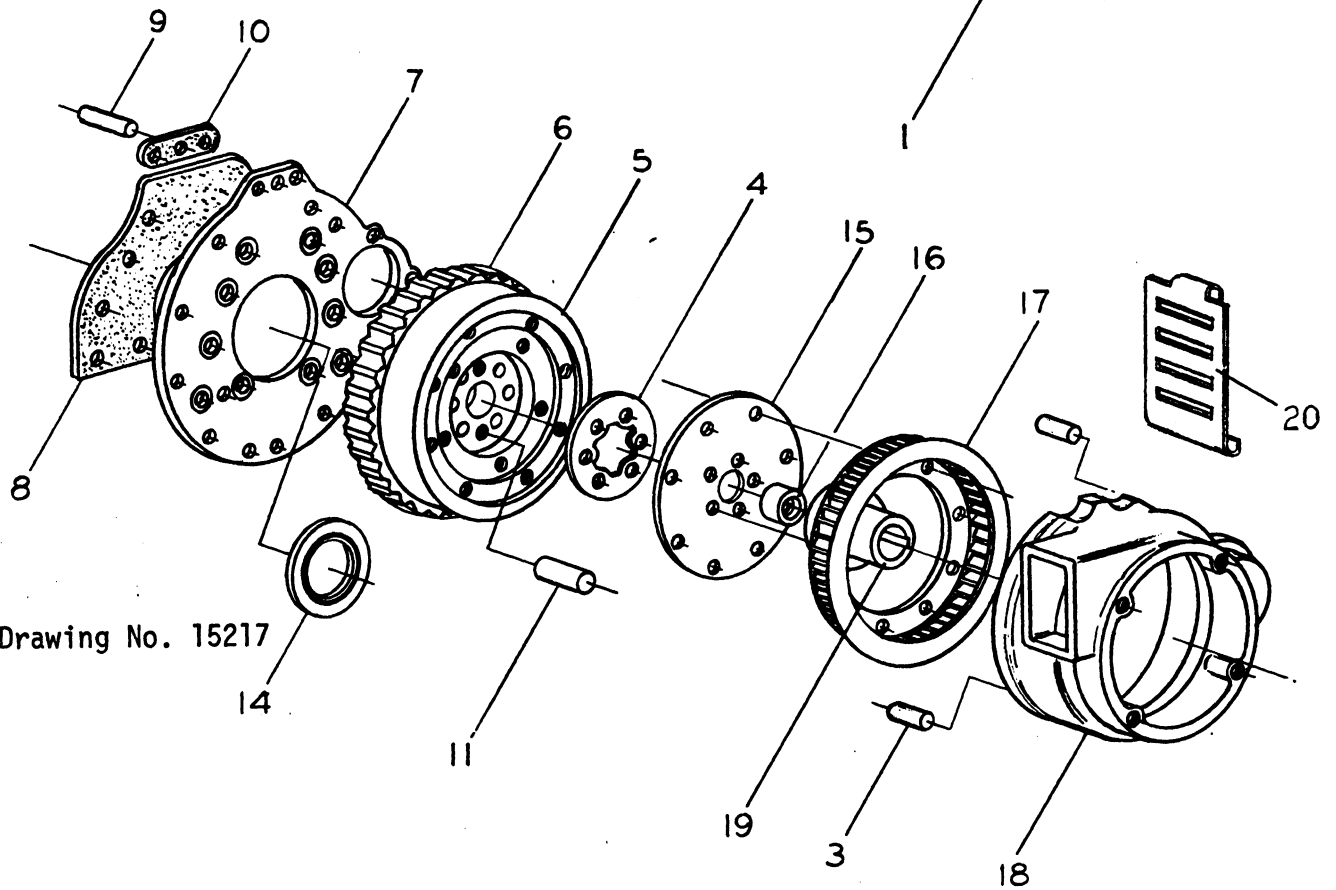
WESTERBEKE 60 AND WPDS 20-MOUNTS

REF	PN	NAME	REMARKS	QUAN
1	16660	MOUNT	FRONT	2
2- 1	13055	MOUNT	REAR - ATTACH TO TRANSMISSION	2
2- 2	15078	MOUNT	REAR - ATTACH TO BELLHOUSING	2
3	11687	ISOLATOR		4
4- 1	16646	ADAPTER	FRONT LEFT MOUNT	1
4- 2	16648	ADAPTER	FRONT RIGHT MOUNT	1
5- 1	21528	BASE	GENERATOR YD SERIES	1
5- 2	12167	BASE	GENERATOR JC SERIES	1
6	15238	ISOLATOR	FRONT	2
7	17248	MOUNT	FRONT	2
8	13107	PLATE	MOUNTING- REAR JC SERIES	2
9- 1	21530	ISOLATOR	REAR YD SERIES	2
9- 2	15239	ISOLATOR	REAR JC SERIES	2
10	12988	BAND	LOWER JC SERIES	1
11	12925	BAND	UPPER JC SERIES	1

WESTERBEKE 60-BACK END ARRANGEMENTS



Drawing No. 13500

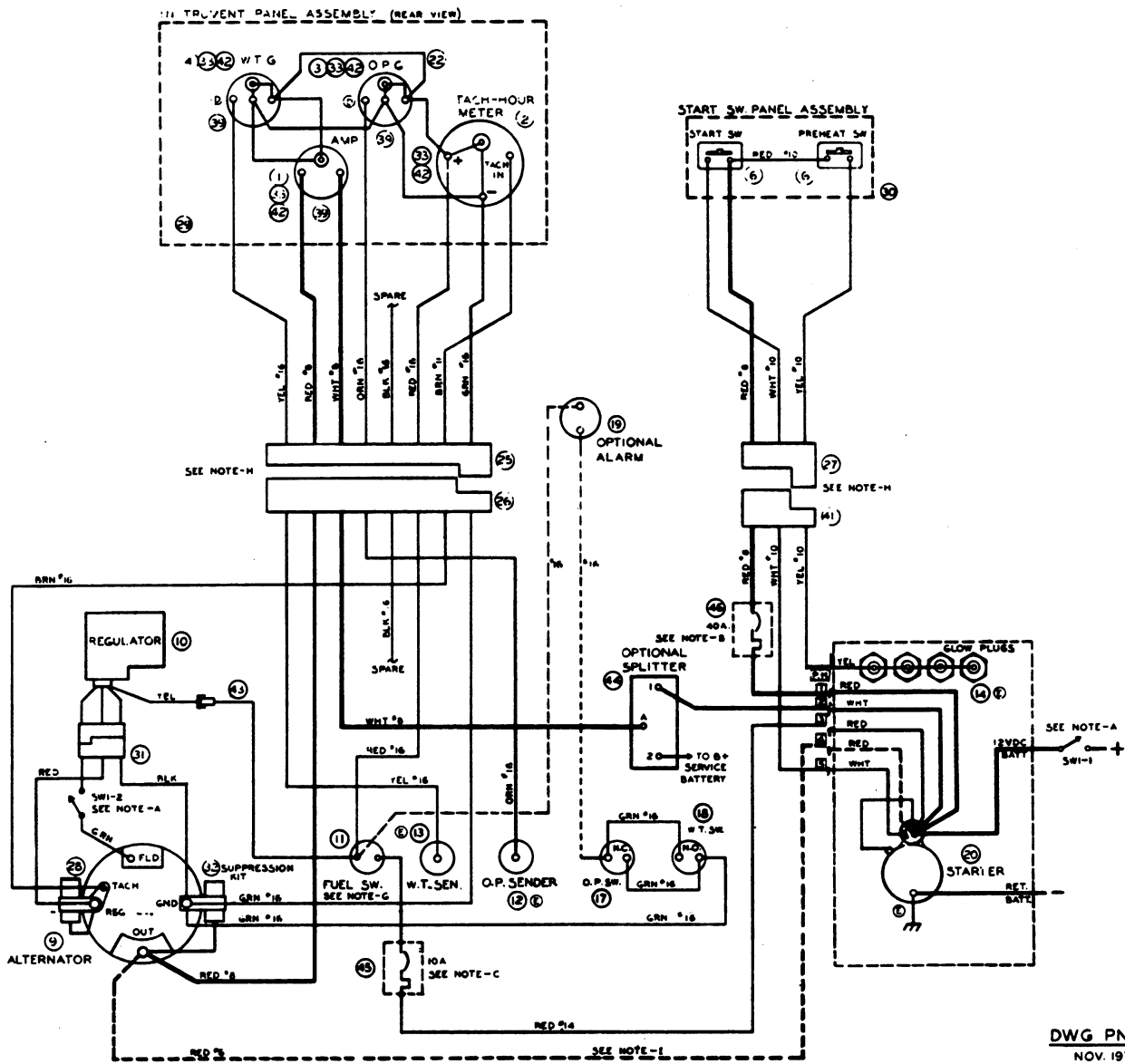


Drawing No. 15217

WESTERBEKE 60-BACK END ARRANGEMENTS

REF	PN	NAME	REMARKS	QUAN
1	16488	HOUSING	TRANSMISSION	1
2	11989	DAMPER		1
3	11498	DOWEL	HOUSING TO BACKPLATE	2
4	13072	WASHER	FLYWHEEL	1
5- 1	22996	FLYWHEEL	WITH RING GEAR	1
5- 2	16430	FLYWHEEL	GENERATOR JC SERIES	1
6	16652	RING GEAR		1
7- 1	16384	BACKPLATE		1
7- 2	22931	BACKPLATE	WITH OIL SEAL	1
8	17583	GASKET	BACKPLATE TO BLOCK	1
9	11955	DOWEL	BACKPLATE TO BLOCK	1
10	17748	GASKET	HOUSING TO BLOCK - TOP	1
11	17847	DOWEL	FLYWHEEL TO CRANKSHAFT	2
12	13555	SCREW	DAMPER TO FLYWHEEL	5
13	16431	GEAR	MANUAL TRANSMISSION DRIVING	1
14	16519	SEAL	OIL-BACKPLATE	1
15	12004	PLATE	DRIVE	1
16	11086	WASHER		1
17	12001	FAN		1
18- 1	20688	HOUSING	GENERATOR YD SERIES	1
18- 2	16638	HOUSING	GENERATOR JC SERIES	1
19- 1	20944	COUPLING	DRIVE HUB YD SERIES	1
19- 2	12070	COUPLING	DRIVE HUB JC SERIES	1
20	11553	GUARD	COVERS EXHAUST OUTLET	1
21	17727	SCREW	FLYWHEEL TO CRANKSHAFT	6

WESTERBEKE 60-ELECTRICAL SYSTEM-MARINE ENGINE

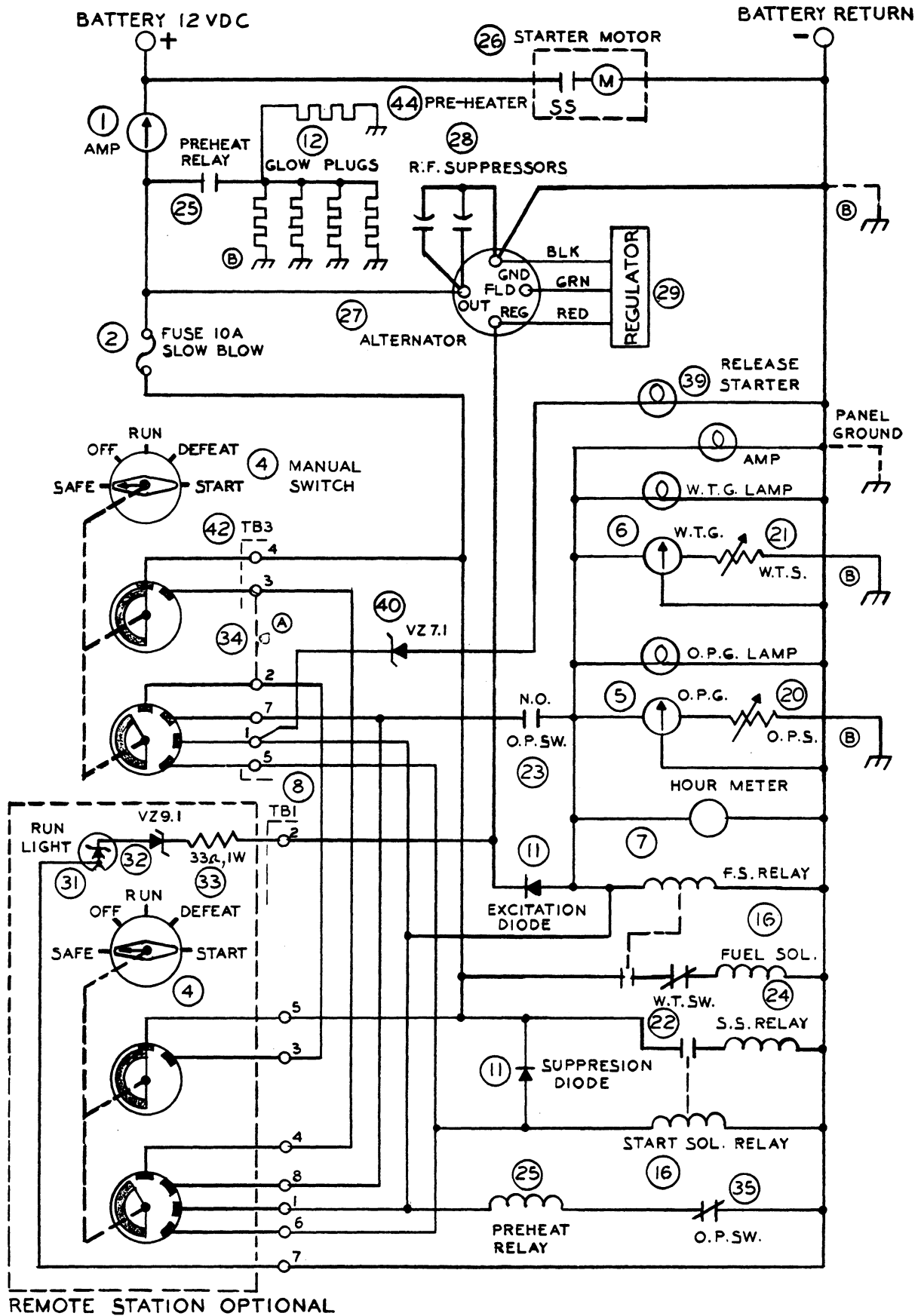


DWG PN. 19201
NOV. 1975

WESTERBEKE 60-ELECTRICAL SYSTEM-MARINE ENGINE

REF	PN	NAME	REMARKS	QUAN
1- 1	11581	AMMETER	60-0-60	1
1- 2	21890	AMMETER	100-0-100	1
1- 3	21891	SHUNT	USED WITH 21890 AMMETER	1
2	11917	METER	TACHOMETER-HOURMETER	1
3	11544	GAUGE	OIL PRESSURE	1
4	11545	GAUGE	WATER TEMPERATURE	1
6- 1	11957	SWITCH	PUSHBUTTON	2
6- 2	19031	CAP	SWITCH PROTECTIVE COVER	2
9- 1	19270	ALTERNATOR	55 AMP NEG GROUND	1
9- 2	11548	PULLEY	ALTERNATOR DRIVE	1
9- 3	21694	BRACKET	ALTERNATOR MOUNTING	1
9- 4	11125	STRAP	ALTERNATOR ADJUSTING	1
9- 5	22220	BRACKET	ADJUSTING STRAP MOUNTING	1
9- 6	11671	ALTERNATOR	85 AMP NEG GROUND	1
9- 7	11677	ALTERNATOR	120 AMP NEG GROUND	1
9- 8	22119	PULLEY	ALTERNATOR DRIVE 2 GROOVE	1
9- 9	11676	RESISTOR	85-120 AMP ALTERNATOR	1
9-10	22030	BELT	ALTERNATOR DRIVE	AR
10- 1	11550	REGULATOR	55 AMP ALTERNATOR	1
10- 2	11678	REGULATOR	85-120 AMP ALTERNATOR	1
11	11383	SWITCH	FUEL - NORMALLY OPEN	1
12	11542	SENDER	OIL PRESSURE	1
13	11543	SENDER	WATER TEMPERATURE	1
14	14529	GLOWPLUGS		4
17	11552	SWITCH	OIL PRESSURE-NC-OPTIONAL ALARM	1
18	13382	SWITCH	WATER TEMPERATURE-NO-OPTIONAL ALARM	1
19	13355	ALARM	OPTIONAL	1
20- 1	17939	MOTOR	STARTER	1
20- 2	17927	KIT	BRUSH	1
20- 3	17947	SPRING	BRUSH	4
20- 4	17959	SOLENOID	MOUNTED ON MOTOR	1
22	19215	HARNESS	PANEL-GAUGE CONNECTING	2
25- 1	19209	CABLE	INSTRUMENT PANEL FROM ENGINE	1
25- 2	19210	CABLE	INSTRUMENT PANEL 10FT EXTENSION OPTION	1
26	19208	HARNESS	ENGINE PREWIRING	1
27- 1	19206	CABLE	START PANEL FROM ENGINE	1
27- 2	19207	CABLE	START PANEL 10FT EXTENSION OPTION	1
28	12959	KIT	ALTERNATOR MOD FOR ELEC TACHOMETER	1
29- 1	19285	PANEL	INSTRUMENT COMPLETE STANDARD	1
29- 2	22283	PANEL	INSTRUMENT COMPLETE 100AMP	1
30	19283	PANEL	START-PREHEAT COMPLETE	1
31	11549	CABLE	ALTERNATOR TO REGULATOR	1
32	11532	KIT	SUPPRESSION-ALTERNATOR	1
33	11432	LAMPS	METERS AND GAUGES	4
41	19205	HARNESS	ENGINE-STARTING	1
42	19216	HOLDER	LAMP	1
43	11670	WIRE	REGULATOR EXCITATION	1
44	20654	SPLITTER	ALTERNATOR OUPUT-OPTION	1
45	20946	BREAKER	CIRCUIT - 10 AMP	1
46	20947	BREAKER	CIRCUIT - 40 AMP	1
70	22251	BRACKET	CIRCUIT BREAKER MOUNTING	1
71	11969	MANIFOLD	OIL PRESSURE FOR OPTIONAL SWITCHES	1
72	11981	HOSE	BLOCK TO OIL PRESSURE MANIFOLD	1

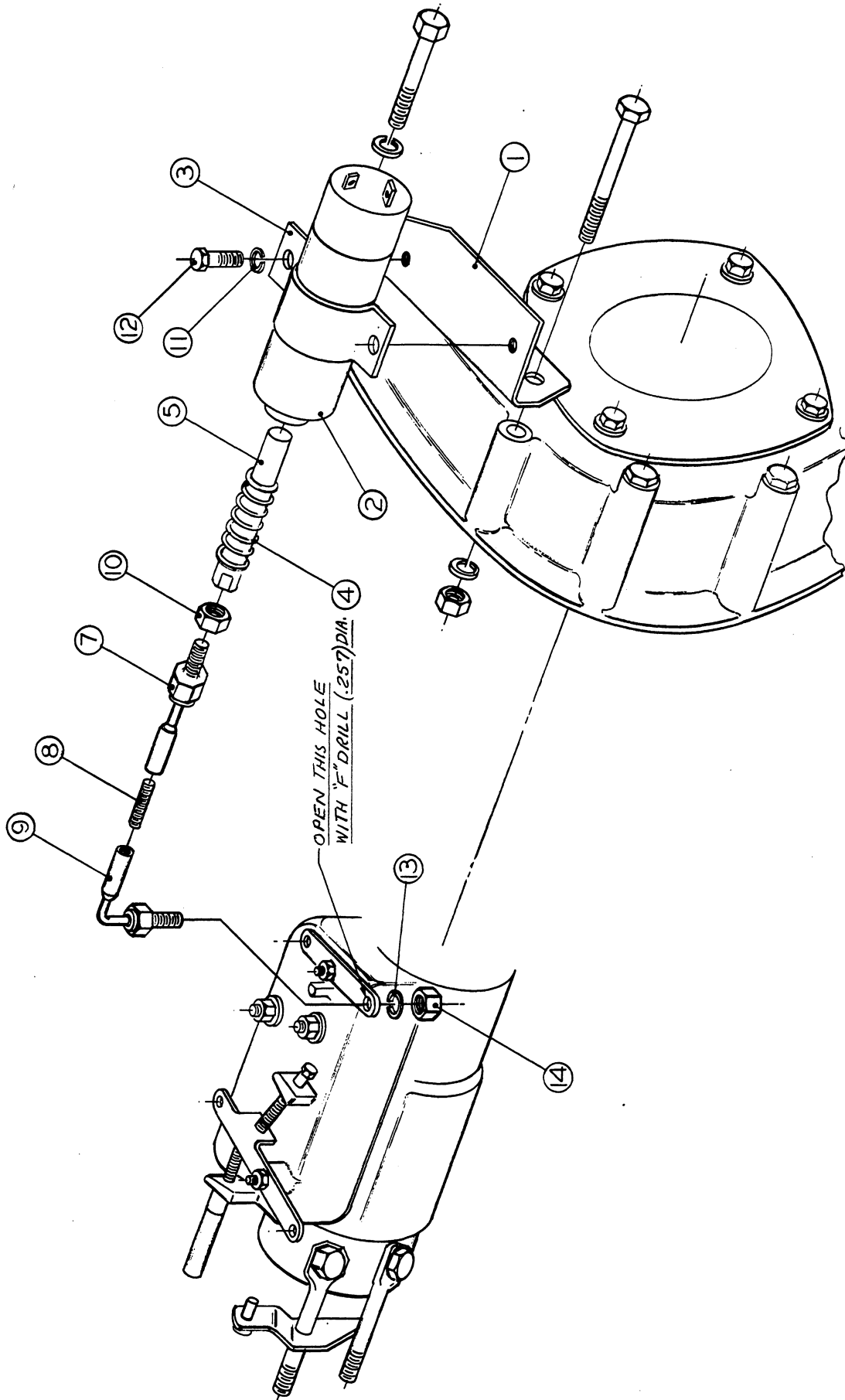
GENERATOR CONTROL-MANUAL STARTER DISCONNECT-ROTARY SWITCH



GENERATOR CONTROL-MANUAL STARTER DISCONNECT-ROTARY SWITCH

REF	PN	NAME	REMARKS	QUAN
1	11581	AMMETER		1
2	11464	FUSE	10A SLOW BLOW	1
3	11454	HOLDER	FUSE	1
4	13722	SWITCH	ROTARY	1
5	11544	GAUGE	OIL PRESSURE	1
6	11545	GAUGE	WATER TEMPERATURE	1
7	12892	HOURLMETER		1
8	15220	BLOCK	12 TERMINAL	1
9	15221	MARKER	12 TERMINAL	1
10	22020	HARNESS	PANEL	1
11	11460	DIODE		2
12	14592	GLOWPLUGS		4
13	12975	BLOCK	2 TERMINAL	1
14	13364	MARKER	2 TERMINAL	1
15	13728	PANEL	REMOTE - COMPLETE	1
16	22129	RELAY		2
17	11816	BLOCK	3 TERMINAL AC	1
18	13447	BLOCK	4 TERMINAL	1
19	15067	MARKER	4 TERMINAL	1
20	11542	SENDER	OIL PRESSURE	1
21	11543	SENDER	WATER TEMPERATURE	1
22	12884	SWITCH	WATER TEMPERATUE- NORMALLY CLOSED	1
23	11383	SWITCH	OIL PRESSURE - NORMALLY OPEN	1
24- 1	23041	SOLENOID	FUEL	1
24- 2			SEE NEXT PAGE FOR MOUNTING	
25	11489	RELAY	SOLENOID	1
26	17939	MOTOR	STARTER	1
27	19270	ALTERNATOR	55 AMP	1
28	11532	KIT	SUPPRESSION	1
29	11550	REGULATOR		1
30	11675	CABLE	ALTERNATOR	1
31	13725	LED	RUN LIGHT	1
32	13724	DIODE	ZENER	1
33	13723	RESISTOR	COMPOSTION-1W	1
34	15223	JUMPER	TERMINAL BLOCK	1
35	11552	SWITCH	OIL PRESSURE- NORMALLY CLOSED	1
36- 1	21900	PANEL	ASSEMBLY - COMPLETE	1
36- 2	21682	PANEL	INSTRUMENT FACE PLATE	1
36- 3	21902	SCREW	FACE PLATE MOUNTING BLACK HEAD	6
36- 4	21692	PLATE	FACE WHEN INSTRUMENTS REMOTE MOUNTED	AR
38	22300	HARNESS	ENGINE	1
39	15678	LAMP	RELEASE STARTER	1
40	22024	DIODE		1
41	22021	HARNESS	GENERATOR PANEL	1
42	22025	BLOCK	10 TERMINAL	1
43	22026	MARKER	10 TERMINAL	1

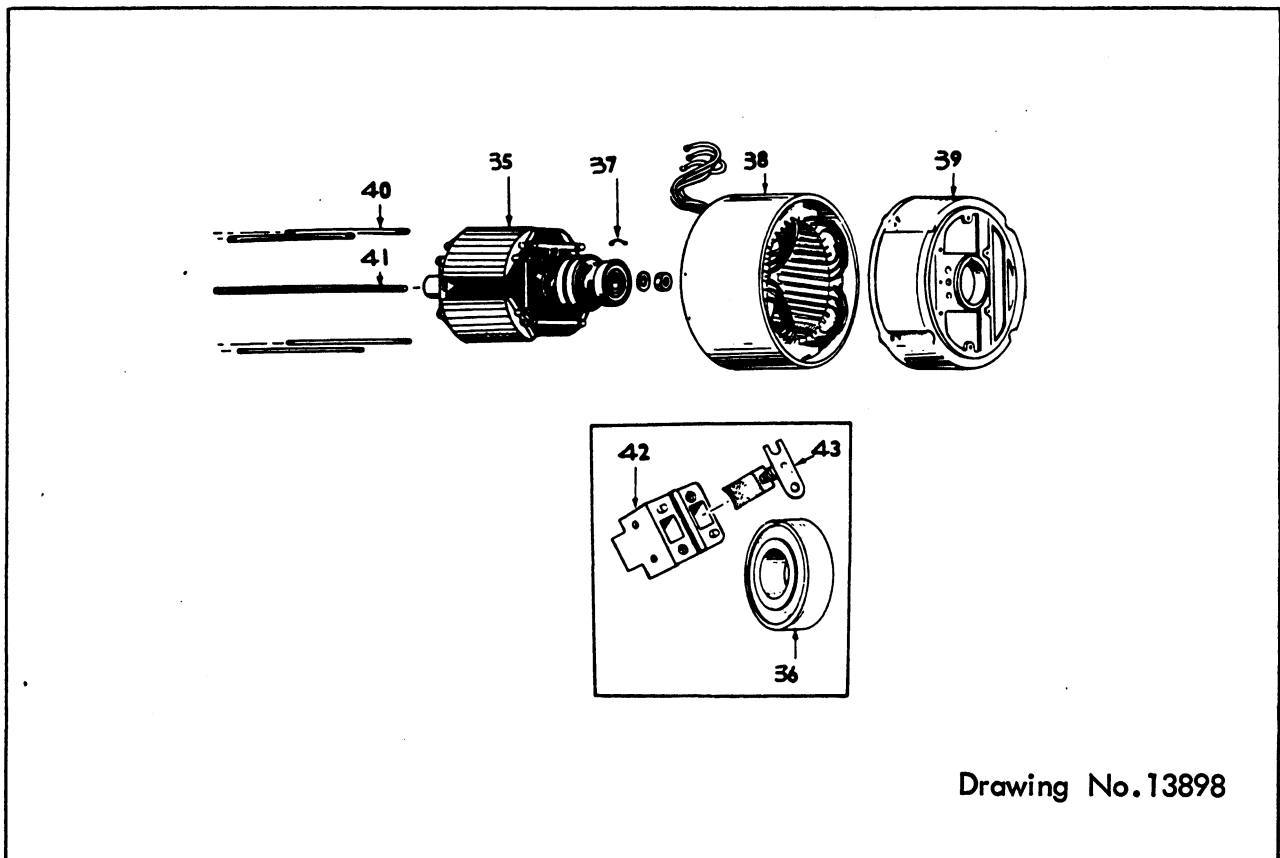
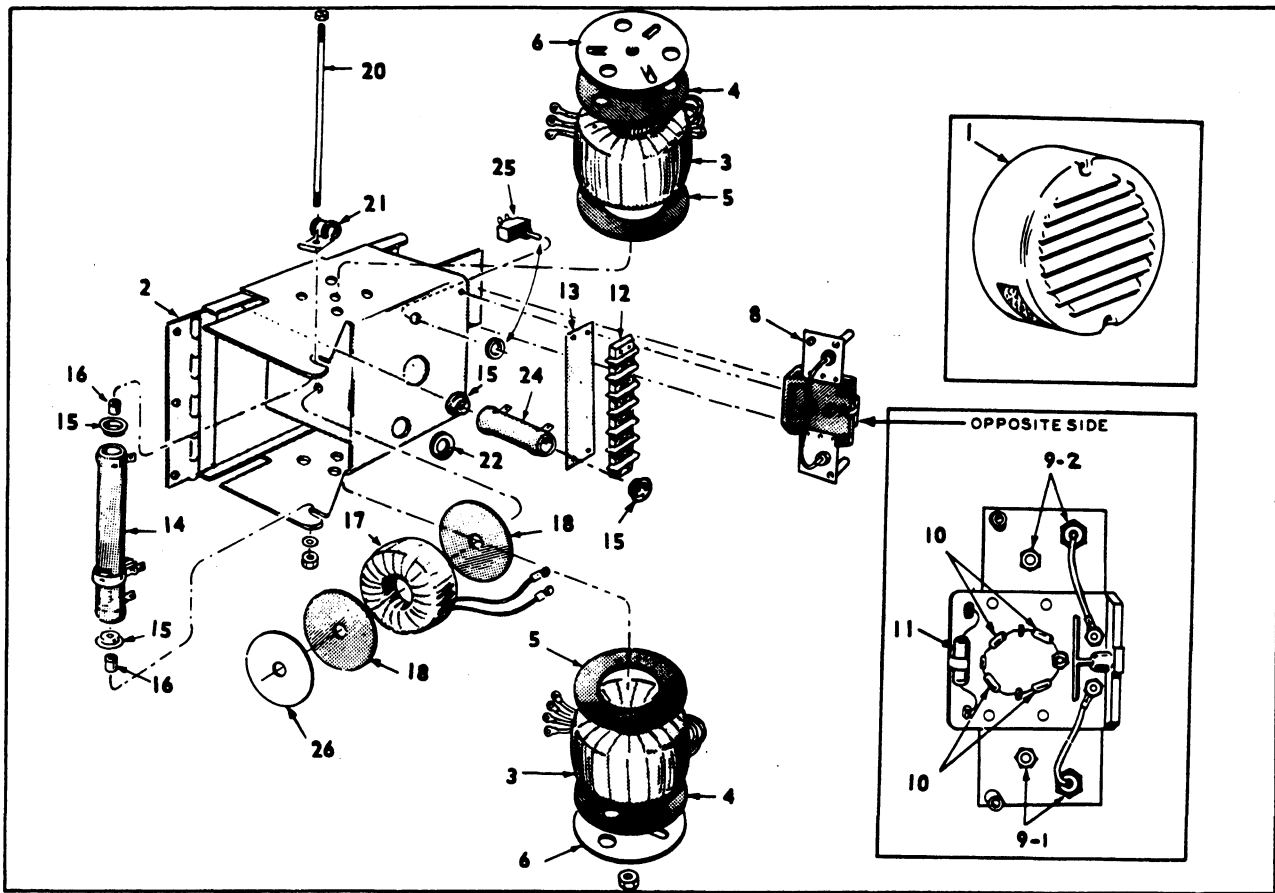
GENERATOR FUEL SHUT-OFF



GENERATOR FUEL SHUT-OFF

REF	PN	NAME	REMARKS	QUAN
1	21552	BRACKET		1
2	23041	SOLENOID	FUEL	1
3	19019	CLAMP		1
4	23373	SPRING		1
5	23376	PLUNGER		1
7	15225	BALL JOINT		1
8	23476	ROD		1
9	15232	BALL JOINT		1
10	15534	NUT		1

WPDS 20-GENERATOR-EXCITER-JC SERIES

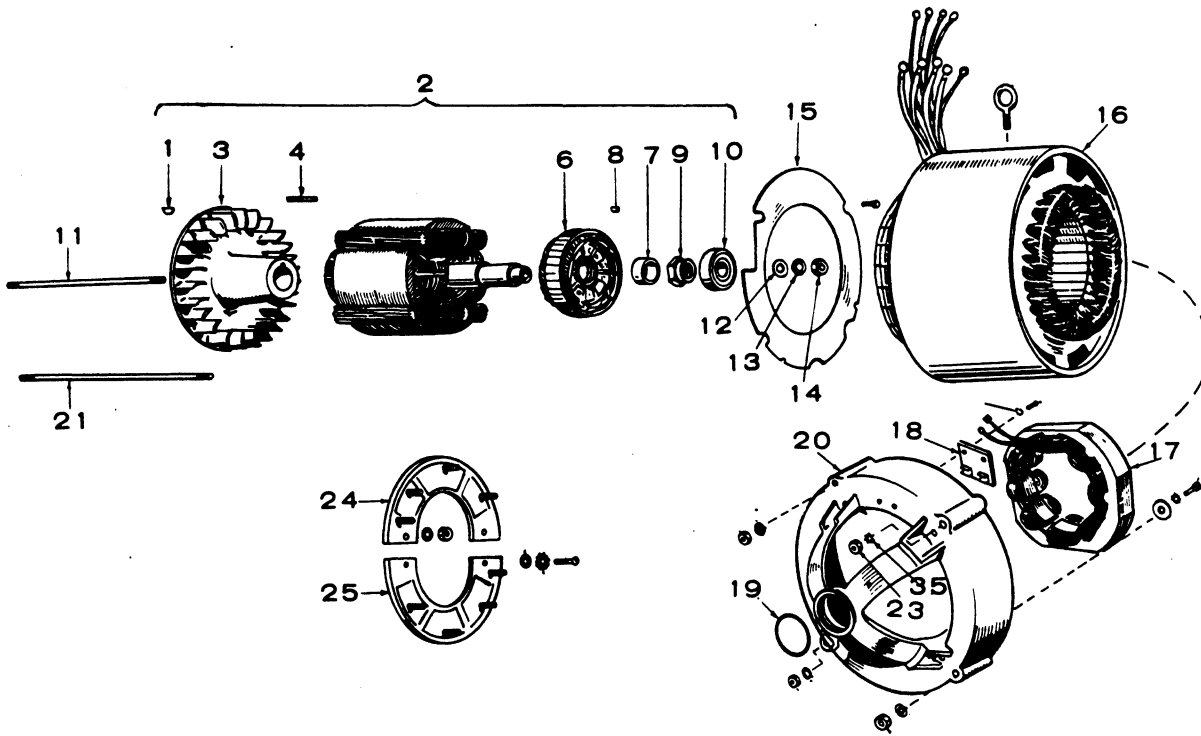


Drawing No.13898

WPDS 20-GENERATOR-EXCITER-JC SERIES

REF	PN	NAME	REMARKS	QUAN
1	14260	COVER		1
2	14261	PANEL		1
3	14272	REACTOR	GATE	2
4	14259	GASKET	OUTER	2
5	14257	GASKET	INNER	2
6	14258	RETAINER		2
8	14269	RECTIFIER	ASSEMBLY	1
9- 1	14266	RECTIFIER	NEGATIVE STUD- RED LEAD	2
9- 2	14267	RECTIFIER	POSITIVE STUD- BLACK LEAD	2
10	14268	RECTIFIER	VOLTAGE CONTROL	4
11	14264	RESISTOR	150 OHM - 5 WATT	1
12	14274	BLOCK		1
13	14275	MARKER		1
14	14265	RESISTOR	500 OHM - 50 WATT	1
15	14262	WASHER		4
16	14255	SPACER		2
17	14271	REACTOR	VOLTAGE CONTROL	1
18	14256	GASKET		2
20	14280	STUD		1
21	14273	CLIP		1
22	14276	GROMMET		1
24	14263	RESISTOR	250 OHM - 25 WATT	1
25	14270	SWITCH		1
26	14281	WASHER		1
27	14282	NUT		1
28	14248	EXCITER	COMPLETE	1
34	11522	GENERATOR	COMPLETE-INCLUDING EXCITER	1
35	14284	ROTOR	ASSEMBLY	1
36	14277	BEARING		1
37	14254	CLIP		1
38	14287	STATOR		1
39	14249	HOUSING		1
40	14291	STUD		1
41	14289	STUD		1
42	14250	HOLDER		2
43	14251	BRUSH		4

WPDS 20-GENERATOR-EXCITER-YD SERIES

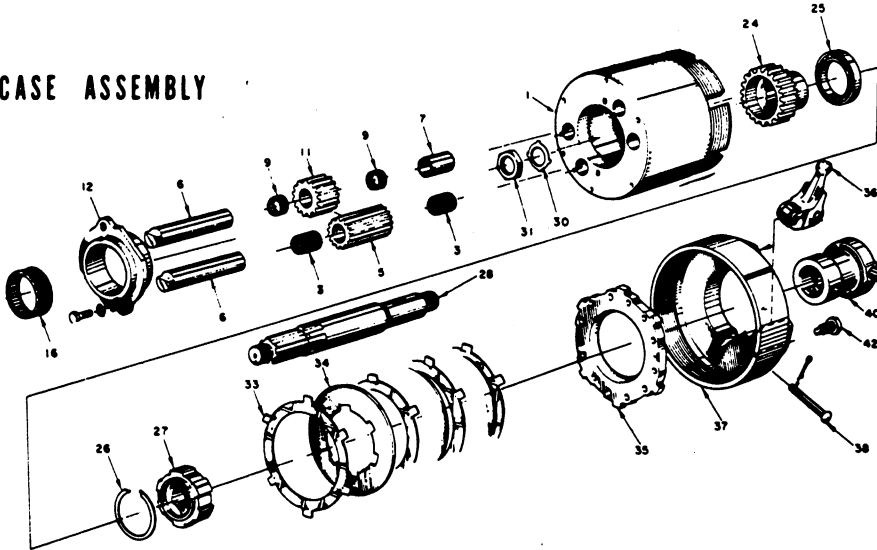


WPDS 20-GENERATOR-EXCITER-YD SERIES

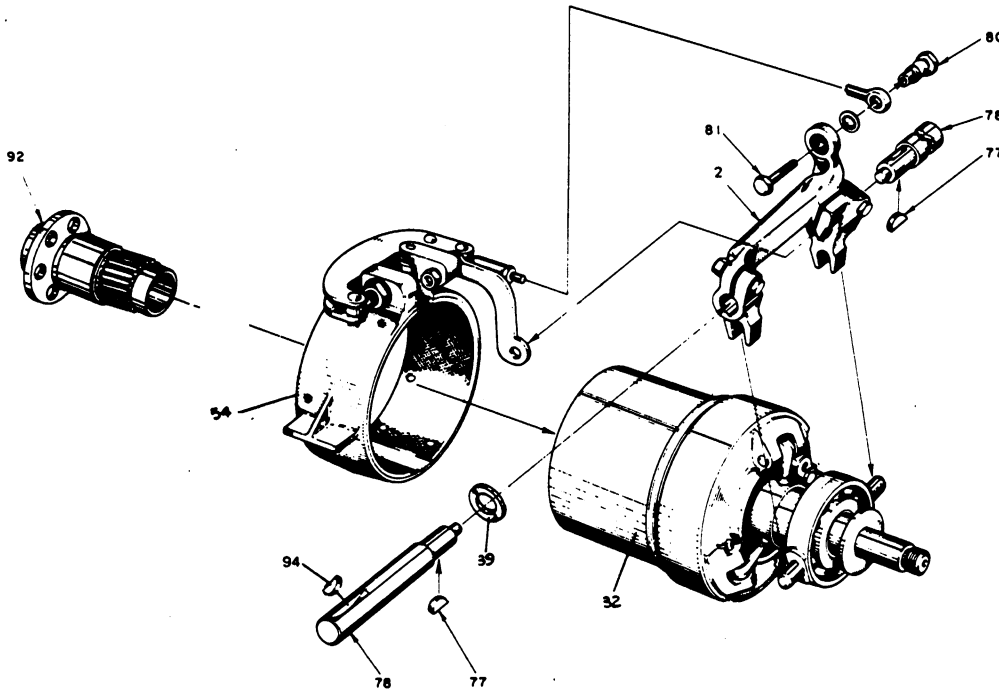
REF	PN	NAME	REMARKS	QUAN
1	21804	KEY	ENGINE DRIVE ADAPTER	1
2	21784	ROTOR	ASSEMBLY	1
3	21793	FAN		1
4	21794	KEY	FAN	1
6	21791	EXCITER	FOTOR INCLUDING DIODES AND HEAT SINKS	1
7	22382	SPACER	BEARING	1
8	21792	KEY	EXCITER ROTOR	1
9	22383	NUT	LOCKING WITH NYLON INSERT	1
10	21789	BEARING	ROTOR	1
11	22938	STUD	ROTOR THROUGH	1
12	22394	WASHER	CONE SHAPPED	1
15	22385	BAFFLE	AIR	1
16	22381	STATOR	ASSEMBLY	1
17	21798	EXCITER	STATOR	1
18	21806	BOARD	CONNECTION	1
19	21800	O-RING	BEARING SEAL	1
20	22386	BELL	END	1
21	22391	STUD	ALTERNATOR THROUGH	4
24	21795	DIODE	ASSEMBLY POSITIVE WITH HEAT SINK	1
25	21796	DIODE	ASSEMBLY NEGATIVE WITH HEAT SINK	1
30	20916	GENERATOR	COMPLETE YD SERIES	1
40	21808	BREAKER	CIRCUIT 3 AMP	1
41	21799	BOARD	VOLTAGE REGULATOR ASSEMBLY	1
42	22399	BLOCK	TERMINAL	1
43	21809	TRANSFORMR	VOLTAGE	1
44	21810	REACTOR		1

TYPE SA1 LIGHTWEIGHT MANUAL TRANSMISSION

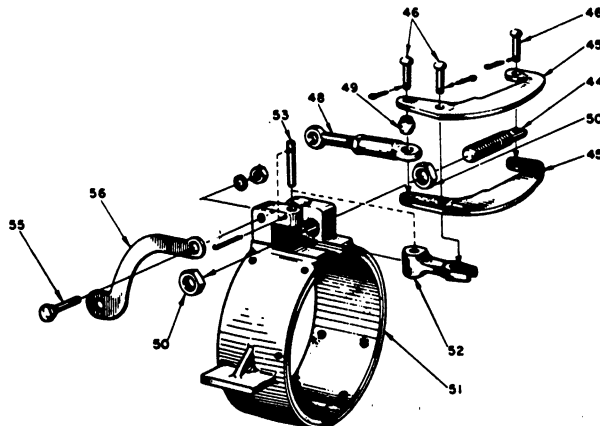
GEAR CASE ASSEMBLY



ASSEMBLY OF REVERSE BAND AND YOKE TO GEAR CASE ASSEMBLY

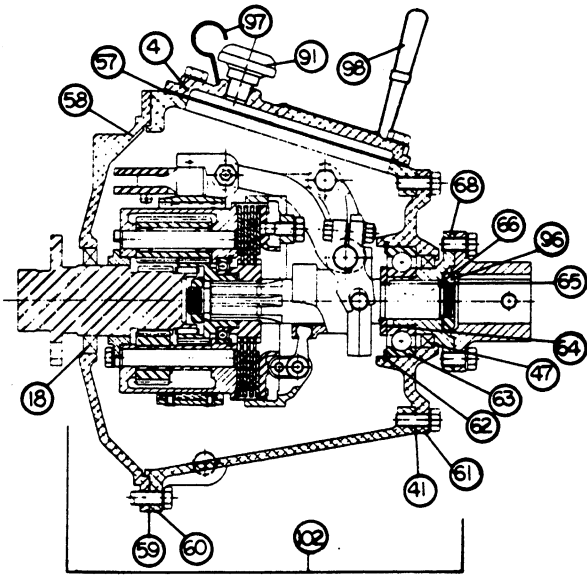


TOGGLE OPERATED REVERSE BAND ASSEMBLY - STANDARD



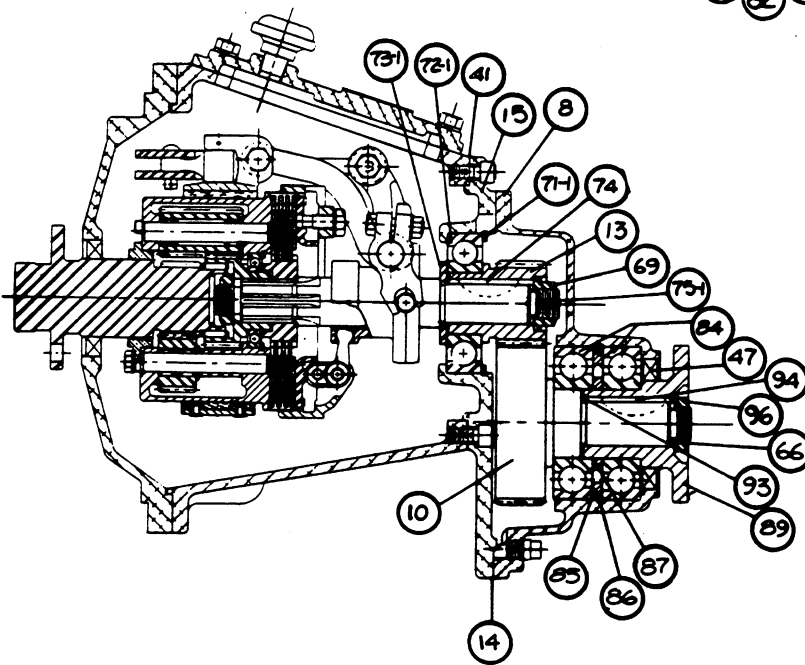
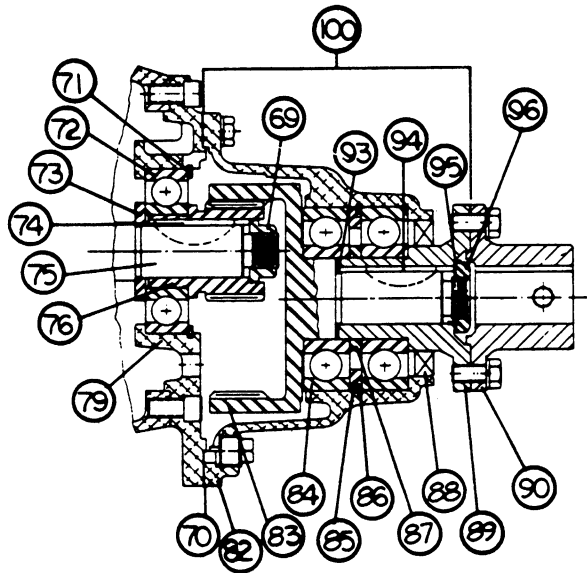
Drawing No. 13896

TYPE SA1 LIGHTWEIGHT MANUAL TRANSMISSION



DIRECT DRIVE 102

REDUCTION UNIT 100



DROP BOX 102

Drawing No. 13897

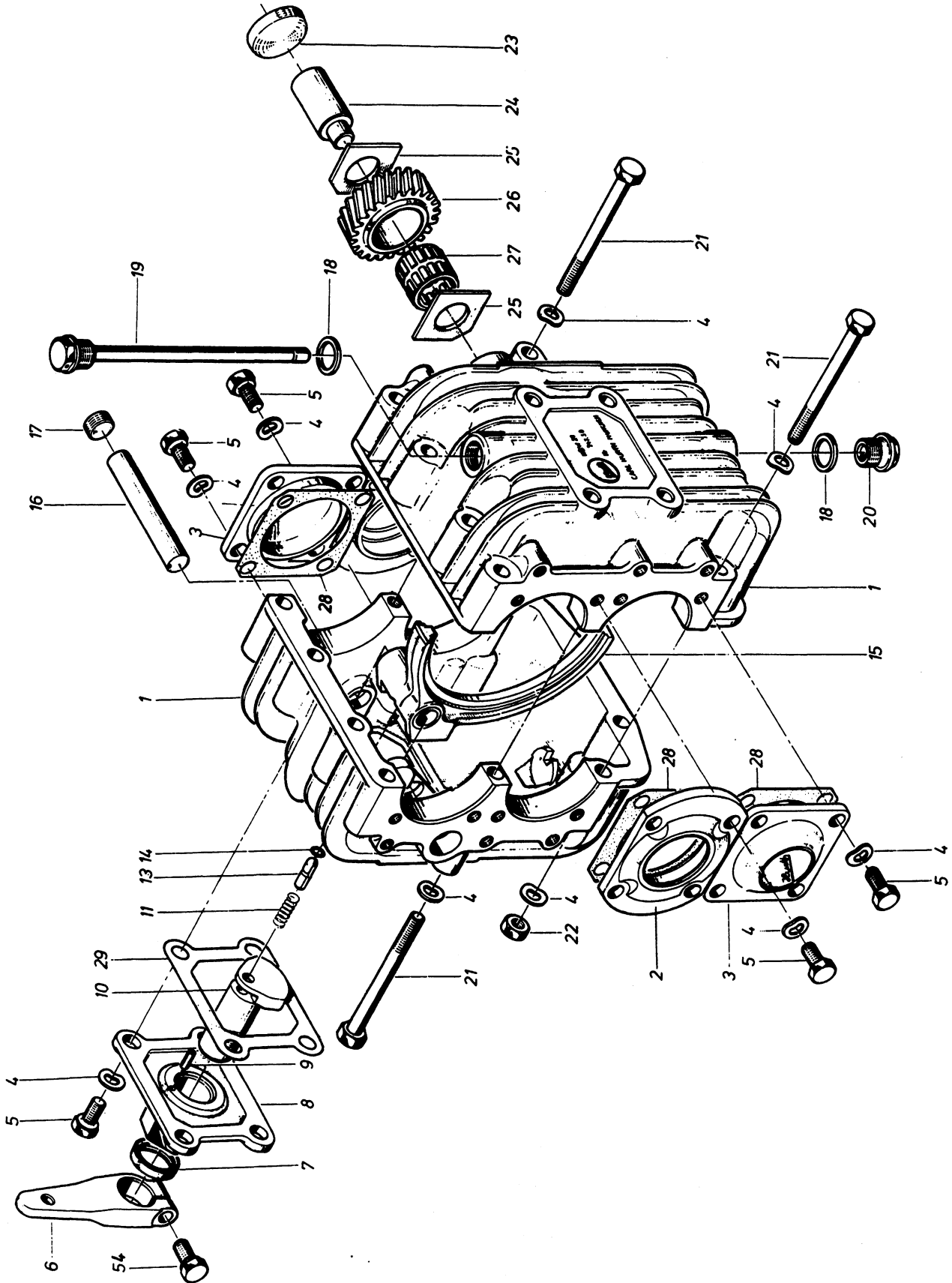
TYPE SA1 LIGHTWEIGHT MANUAL TRANSMISSION

REF	PN	NAME	REMARKS	QUAN
1	14306	CASE	REMARKS	1
2	14351	YOKE		1
3	14346	BEARING		2
4	14362	COVER		1
5	14313	PINION		1
6	14317	SHAFT		2
7	14369	SPACER		1
8	14829	HOUSING	2-1 DROP BOX	1
9	14346	BEARING		2
10	14826	GEAR	2-1 DROP BOX	1
11	14312	PINION		1
12	14381	BUSHING		1
13	14827	GEAR	2-1 DROP BOX	1
14	14828	GASKET	2-1 DROP BOX	1
15	14830	PLATE	2-1 DROP BOX	1
16	14385	BEARING		1
18	14395	SEAL		1
24	14308	GEAR		1
25	14384	BEARING		1
26	14373	RING		1
27	14338	CARRIER		1
28	14339	TAILSHAFT		1
30	14293	LOCKWASHER		1
31	14377	LOCKNUT		1
32	14305	CASE	ASSEMBLY	1
33	14336	PLATE		1
34	14318	PLATE		3
35	14319	PLATE		1
36	14325	FINGER	ASSEMBLY	1
37	14329	COLLAR		1
38	14343	PIN		3
39	14389	SEAL	TWO PER CROSS SHAFT	2
40	14342	SLEEVE	ASSEMBLY	1
41	14383	GASKET		1
42	14345	LOCKSCREW		1
44	14387	BOLT		1
45	14397	LEVER	LONG	1
46	14391	PIN		3
47	14388	SEAL		1
48	14398	LINK END	ASSEMBLY	1
49	14368	BALL JOINT		1
50	14359	LOCKNUT		2
52	14335	LEVER	SHORT	1
53	14331	PIN		1
54	14302	BRAKE	BAND & CAM ASSEMBLY	1
55	14330	SCREW		1
56	14364	BRAÇE		1
57	14363	GASKET		1
58	14376	PLATE		1
59	14382	GASKET		1
60	14349	HOUSING		1
61	14372	PLATE		1
62	14400	RING		1

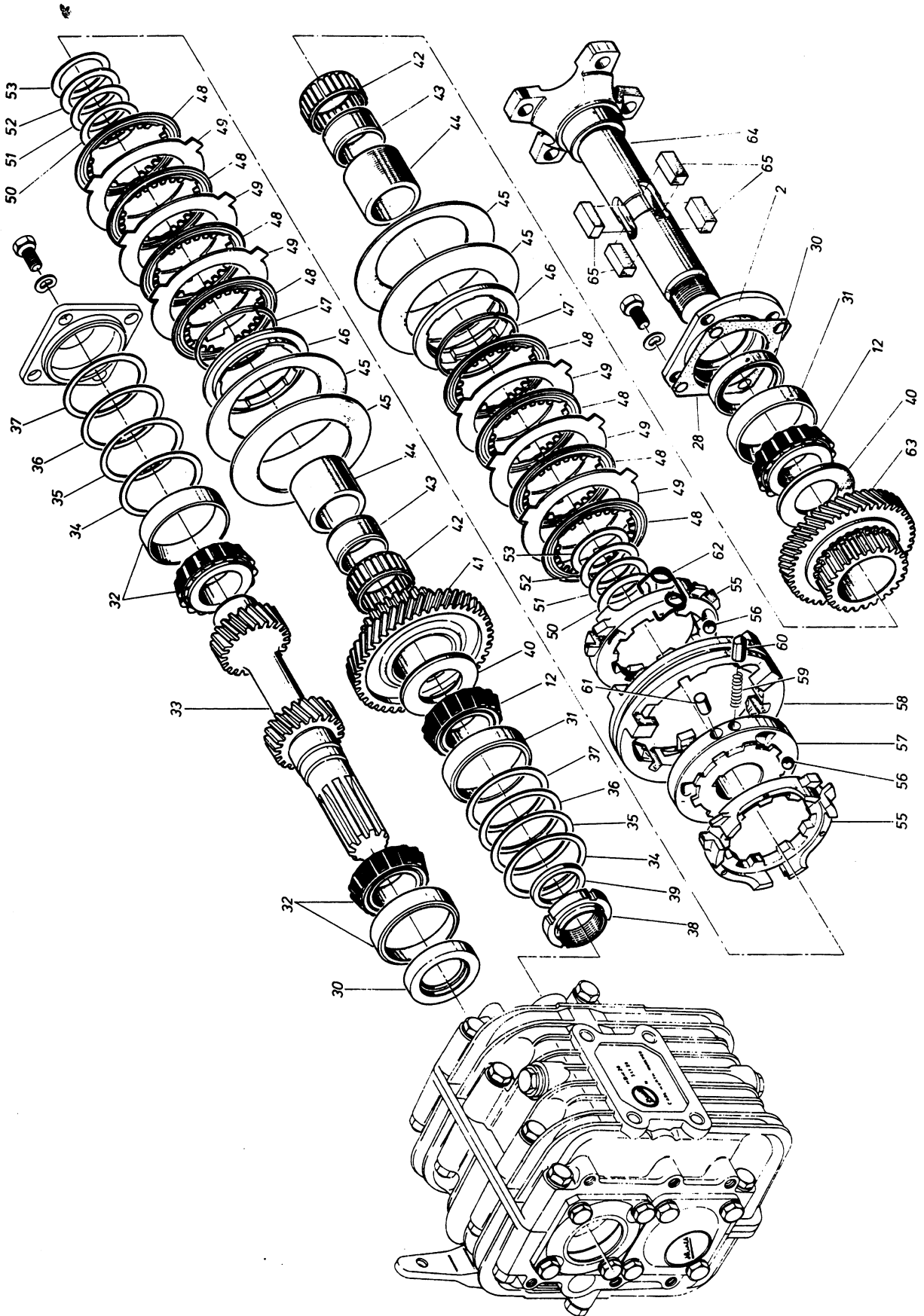
TYPE SA1 LIGHTWEIGHT MANUAL TRANSMISSION

REF	PN	NAME	REMARKS	QUAN
63	14366	BEARING		1
64	14360	WASHER		1
65	14353	KEY		1
66	14379	LOCKWASHER		1
68	14356	COUPLING		1
69	14323	NUT		1
70	14321	GASKET		1
71- 1	14374	RING	1.5-1 & 2-1	1
71- 2	14298	RING	2.5-1	1
72- 1	14367	BEARING	1.5-1 & 2-1	1
72- 2	14297	BEARING	2.5-1	1
73	14361	THRUST	1.5-1 & 2-1	1
74	14328	KEY		1
75- 1	14340	TAILSHAFT	1.5-1 & 2-1	1
75- 2	14341	TAILSHAFT	2.5-1	1
76- 1	14296	GEAR	1.5-1	1
76- 2	14314	GEAR	2-1	1
77	14316	KEY		1
78	14344	TRUNNION		1
79- 1	14295	PLATE	ADAPTER - 19K-1	1
79- 2	14307	PLATE	ADAPTER - 2-1	1
79- 3	14294	PLATE	ADAPTER -2.5-1	1
80	14324	BALL JOINT		1
81	14315	SCREW		1
82	14309	HOUSING		1
83	14299	GEAR	INTERNAL	1
84	14396	BEARING	PAIR OF BEARINGS	1
85	14337	SPACER		1
86	14375	SNAPRING		1
87	14333	SPACER		1
88	14390	SEAL	OIL	1
89	14357	COUPLING	GEAR HALF	1
90- 1	12299	COUPLING	BORED 3/4	1
90- 2	11725	COUPLING	BORED 7/8	1
90- 3	11726	COUPLING	BORED 1	1
90- 4	11727	COUPLING	BORED 1-1/8	1
90- 5	11728	COUPLING	BORED 1-1/4	1
90- 6	11729	COUPLING	BORED 1-3/8	1
91	14394	BREATHER		1
92	14311	GEAR		1
93	14334	WASHER		1
94	14352	KEY		1
95	14379	LOCKWASHER		1
96	14378	NUT		1
97	14392	DIPSTICK		1
98	11807	LEVER	14 INCH	1
100- 1	14300	REDUCTION	COMPLETE-EXCL ADAPTER ASSEMBLY	1
102- 1	11622	TRANSMISSI	COMPLETE 1 TO 1	1
102- 2	11624	TRANSMISSI	COMPLETE 1.5 TO 1	1
102- 3	11625	TRANSMISSI	COMPLETE 2 TO 1	1
102- 4	11626	TRANSMISSI	COMPLETE 2.5 TO 1	1
102- 5	11638	TRANSMISSI	COMPLETE 2 TO 1 WITH DROPBOX	1
102- 6	13975	TRANSMISSI	COMPLETE TO ACCEPT V-DRIVE	1

SHORT PROFILE SAILING GEAR HBW20



SHORT PROFILE SAILING GEAR HBW20



SHORT PROFILE SAILING GEAR HBW20

REF	PN	NAME	REMARKS	QUAN
1	23487	HOUSING	ASSEMBLY	1
2	23488	COVER		1
3	23489	COVER		2
4	22209	RING	ELASTIC	40
5	22208	SCREW	HEX	10
6	22191	LEVER	SHIFTING	1
7	22195	SEAL	RING	1
8	22189	COVER	CONTROL	1
9	22196	SLEEVE	TIGHTENING	1
10	22190	CAM	CONTROL	1
11	22170	SPRING	PRESSURE	1
12	23490	BEARING	TAPER, ROLLER INTL	2
13	22192	PIN	STOPPING	1
14	22194	RING	SEMI-CIRCULAR	1
15	23491	FORK	SHIFTING ASSEMBLY	1
16	23492	ROD	SHIFTING	1
17	22147	SCREW	LOCKING	1
18	22210	RING	SEAL	2
19	23493	DIPSTICK	AND VENT ASSEMBLY	1
20	22205	SCREW	LOCKING	1
21	23494	SCREW	HEX	10
22	22206	NUT	HEX	10
23	23495	LIP	SEALING	1
24	23496	SHAFT	GEAR, INTERMEDIATE	1
25	23497	DISC	STARTING	2
26	23498	GEAR	INTERMEDIATE	1
27	23499	CAGE		1
28	23500	SEAL		4
29	22207	SEAL		1
30	22180	RING	SEAL	2
31	23501	BEARING	TAPER, ROLLER ASRG	2
32	23502	BEARING	TAPER, ROLLER	2
33	23503	SHAFT	INPUT	1
34	23504	WASHER	0.1 MM	2
35	23505	WASHER	0.15 MM	2
36	23506	WASHER	0.2 MM	2
37	23507	WASHER	0.5 MM	2
38	23508	NUT	GROOVED	1
39	22185	SLEEVE	DISTANCE	1
40	23509	WASHER	STARTING	2
41	23510	GEAR	TEETH-48	1
42	22165	CAGE	NEEDLE	2
43	22156	RING	NEEDLE CAGE, INNER	2
44	23511	RING	SPACER	2
45	23512	SPRING	CUP	4
46	23513	SPRING	PRESSURE	2
47	23514	RING	SAFETY	2
48	23515	SHEET	STRIP, LAMINARY INNER	10
49	23516	SHEET	STRIP, LAMINARY OUTER	8
50	22158	SPACER	0.4 MM	2

SHORT PROFILE SAILING GEAR HBW20

REF	PN	NAME	REMARKS	QUAN
51	22159	SPACER	0.5 MM	2
52	22160	SPACER	0.6 MM	2
53	22161	SPACER	0.7 MM	2
54	22193	SCREW	HEX	1
55	23517	CARRIER	STRIP SHEET	2
56	23518	BALL		6
57	23519	SOCKET	CONTROL, GUIDE	1
58	23520	SOCKET	CONTROL	1
59	22170	SPRING	PRESSURE	3
60	22171	PIN	STOPPING	3
61	22173	PIN		3
62	22175	SPRING	TORSION	3
63	23521	GEAR	TEETH-44	1
64	23522	SHAFT	OUTPUT	1
65	23523	SPRING	ADJUSTING	4
80	21680	GEAR	COMPLETE TRANSMISSION 2 TO 1	1
90- 1	20981	COUPLING	BORED 3/4	1
90- 2	20982	COUPLING	BORED 7/8	1
90- 3	11740	COUPLING	BORED 1	1
90- 4	11741	COUPLING	BORED 1-1/8	1
90- 5	11742	COUPLING	BORED 1-1/4	1
90- 6	11743	COUPLING	BORED 1-3/8	1
90- 7	18990	COUPLING	BORED 1-1/2	1

WESTERBEKE 60-MISCELLANEOUS

REF	PN	NAME	REMARKS	QUAN
1	17924	GASKET	SET - LOWER	1
2	17925	GASKET	SET - UPPER	1
3	11592	PUMP	HAND - TO PUMP LUBE OIL FROM SUMP	1
5	13826	TUBING	PUMP TO DIPSTICK TUBE	3
6	22266	SEPARATOR	WATER-FUEL	1
7	15174	KIT A	SPARE PARTS	1
8	19085	KIT B	SPARE PARTS-EXTENDED CRUISING	1
9- 1	22240	PULLEY	ACCESSORY CRANKSHAFT 2 GROOVE 4.5 IN	1
9- 2	23318	PULLEY	ACCESSORY CRANKSHAFT 2 GROOVE 6 IN	1
9- 3	22932	PULLEY	ACCESSORY CRANKSHAFT 2 GROOVE 7 IN	1
10- 1	23309	SWITCH	NEUTRAL SAFETY PARAGON HYDRAULIC	1
10- 2	23433	SWITCH	NEUTRAL SAFETY WARNER HYDRAULIC	1

