

Dimensional Drawing
M773LW3 - 9 kW/7 kW
AC Output¹

9 kW 60 Hz, 1800 RPM, 1 Ph, 1.0 PF,
120-240 V/37.5A, 120 V/75A

7 kW 50 Hz, 1500 RPM, 1 Ph, 1.0 PF,
220 V/31.8A

Optional Three Phase with 0.8 PF
Voltage regulation ±1%

Lugger L773LW Engine

Type Vertical inline 3 cylinder diesel
Displacement 69 in³ (1.13 ltr)
Bore/Stroke 3.03/3.19 in (77/81 mm)
HP @ RPM 15/1800 12/1500

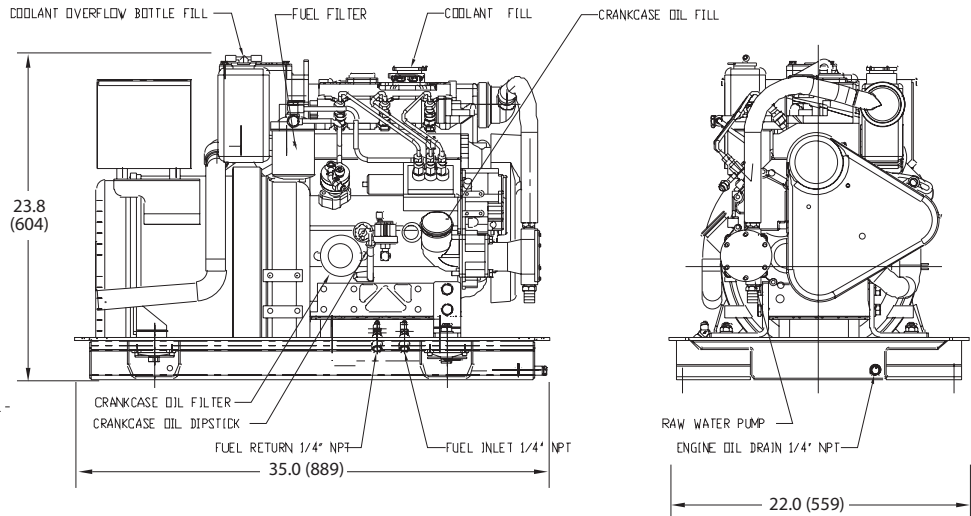
Approximate fuel use

1800 RPM @ full load² 0.93 gph (3.52 lph)
1800 RPM @ half load² 0.51 gph (1.93 lph)
1500 RPM @ full load² 0.72 gph (2.72 lph)
1500 RPM @ half load² 0.37 gph (1.40 lph)

Installation Data & Weight

Wet exhaust elbow 2 inch (51 mm) OD
Raw water inlet 3/4 inch (19 mm) OD
Fuel inlet and return 1/4 inch NPT
Approximate dry weight 537 lbs (244 kg)

1. Based on SAE J1995 and ISO 3046.
2. Actual fuel consumption will vary depending on operating conditions



M773LW3 Overall Dimensions L x W x H: 35.0 x 22.0 x 23.8 inch (889 x 559 x 604 mm)

Sound Enclosure Dimensions L x W x H: 35.0 x 22.0 x 24.2 inch (889 x 559 x 614 mm)

Sound Enclosure Weight: 60 lbs. (27.2 kg)

Dimensions given in inches (mm). Dimensions subject to change without notice.

Contact dealer or visit www.northern-lights.com for most current installation drawings.

M773LW3 Features and Benefits
Engine Block

- Four cycle, 3 cylinder, liquid cooled, naturally aspirated, overhead valve diesel.
- Swirl combustion chambers improve fuel efficiency and reduce smoke.
- Glow plugs for quick cold starting.

Cooling System

- Freshwater cooling system in heat exchanger or keel cooled configuration.
- One-piece heat exchanger, expansion tank and liquid cooled exhaust manifold. Fewer troublesome hoses and gaskets. Cast iron to resist corrosion and electrolysis.
- Heat exchanger cooling is standard. Cupro-nickel, tube-type heat exchanger has removable ends for easy cleaning. Rubber impeller seawater pump of bronze and stainless steel is gear driven; no belt.

Fuel System

- Fuel system is self-venting.
- Injection pump with 5% mechanical governor for close AC frequency control.
- Pintle injectors with replaceable tips.
- Mechanical lift pump with hand primer. No electric pump to fail.
- Large spin-on fuel filter.
- Flexible fuel lines routed to fuel manifold.
- Stop solenoid controls the fuel rack, not the throttle, to eliminate speed variances and linkage problems.

Intake and Exhaust

- Meets US EPA Tier III emission standards at date of manufacture.
- Washable air cleaner in cast intake manifold reduces noise.
- Cast iron, wet exhaust elbow for safety.

Lubrication System

- Full flow, spin-on oil filter with bypass.
- 4.2 qt (4 ltr) oil capacity for better lubrication. 200 hour oil change intervals.
- Oil drain for quick, clean oil changes.
- Closed crankcase vent system traps oil vapor and keeps engine room clean.

DC Electrical System

- DC system uses reliable relays instead of an unrepairable printed circuit board.
- 12 volt starter motor and battery charging alternator with regulator and belt guard.
- Standard panel: Remote mount S-1B has hour meter, stop-start switch with run light and preheat switch.
- Expandable to six panels up to 110 feet from the set.
- 20 foot (6m) plug-in panel harness lets you mount your panel anywhere onboard. Better than inaccessible unit mount panels that are prone to vibration problems.
- Low oil pressure, high coolant temp and high exhaust temp safety shutdowns standard.

AC Generator

- Northern Lights, direct coupled, brushless AC generator is maintenance free. 4 lead, 1 phase, 50 or 60 Hz output standard. 12 lead, 3 phase optional. Conservative heat rise rating: 95°C/50°C ambient.
- Automatic voltage regulator (AVR) is powered by dedicated AC winding for true 300% short circuit capability and circuit breaker protection. Quick ±1% RMS no load to full load voltage regulation.
- Generator features high quality, Class "H" epoxy insulation, accessible diodes, over-sized bearings and junction box for wiring.


Special Equipment

- Welded steel base frame with drip pan.
- Four platform mounts isolate vibration.
- White, long-life polyurethane paint.
- Operator's and parts manuals standard.

Classification Standards

- Consult factory for details.



www.northern-lights.com

Dealer

Northern Lights, Inc. • 4420 14th Ave. NW., • Seattle WA 98107
Tel: 206-789-3880 • 1-800-762-0165 • Fax: 206-782-5455

Information and dimensions subject to change without notice.

Northern Lights and Lugger are registered trademarks of Northern Lights, Inc.

© 2012 All rights reserved. Litho USA. S103 2/14