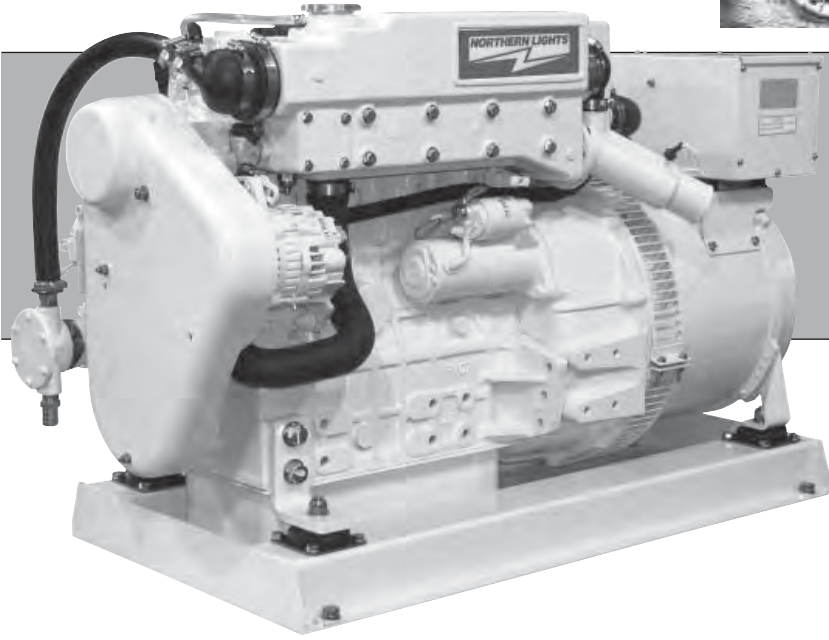


For your convenience, Diesel Specialists is providing access to this Northern Lights Parts Catalog to assist you with purchasing the correct parts for your generator or engine.

Any of the parts listed in this catalog are available for purchase from the Northern Lights Generator Parts website.

Use the PDF search function to search the catalog: press CTRL + F and the search box will appear.

Once you have located the part number in the catalog, return to the Northern Lights Generator Parts website and type the part number in the Store Search Box. Then, add the item to your shopping cart to complete your purchase.



# P844K

For Models: M844K, M844LK, NL844K,  
NL844LK, M16C, M20CL, & M20CR

# PARTS CATALOG

Marine Generators | Marine Diesel Engines | Land-Based Generators



# LUGGER





— CALIFORNIA —  
Proposition 65 Warning:

*Diesel engine exhaust and some of its constituents are known to the State of California to cause cancer, birth defects, and other reproductive harm.*

**Northern Lights**

4420 14th Avenue N.W.  
Seattle, WA 98107  
Tel: (206) 789-3880  
Fax: (206) 782-5455

Copyright ©2003 Northern Lights, Inc.  
All rights reserved. Northern Lights™, and  
the Northern Lights logo are trademarks of  
Northern Lights, Inc.

Printed in U.S.A.  
PART NO.: P844K 12/03



# PARTS CATALOG

## for Models M844K, M844LK, NL844K, NL844LK, M16C, M20CL, & M20CR

*Please read thoroughly before attempting to use this manual:*

Table of Contents .....	1
Model Designation & Serial Numbers .....	2
Reading a Parts Page .....	3

### Table of Contents

#### GROUP 1 - ENGINE

Cylinder Block Assembly .....	0 - 3
Crankshaft Assembly .....	4 - 7
Camshaft & Oil Pump .....	8
Cylinder Head .....	9 - 10
Rocker Arm .....	11 - 12

#### GROUP 2 - INTAKE & EXHAUST SYSTEM

Air Intake & Filter .....	1 - 2
Air Filter & Mounting - Industrial .....	3 - 5
Exhaust Manifold & Muffler .....	6 - 7

#### GROUP 3 - COOLING

Heat Exchanger & Exhaust Manifold .....	0 - 1
Expansion Tank KC & Exhaust Manifold ...	2 - 3
Circulating Pump .....	4 - 6
Raw Water Pump & Mounting .....	7
Raw Water Pump Assembly .....	8
Radiator & Guard .....	9

#### GROUP 4 - FUEL SYSTEM

General Arrangement .....	0 - 3
Governor & Timing Gear Case .....	4 - 5
Fuel Filter & Piping .....	6
Fuel Line Connection .....	7
Coast Guard Fuel Line Connection .....	7
Fuel Injection Pump .....	8 - 9
Fuel Injector .....	9
Fuel Feed Pump .....	10

#### GROUP 5 - ELECTRICAL SYSTEM

Engine Electrical .....	0 - 2
Starter Mounting & Flywheel Housing .....	3 - 4
Starting Motor Assembly .....	5 - 7
Alternator & Mounting .....	8 - 12
Relay Boards .....	13 - 14
Control Panels .....	15 - 19
Belt Guard Assembly .....	20 - 21

#### GROUP 6 - GASKET SETS

Gasket Sets .....	0
-------------------	---

#### GROUP 7 - GEAR AND ADAPTER SETS

Not available at this time.

#### GROUP 8 - FRAME & MOUNTING

Base Frame Assembly .....	1 - 7
---------------------------	-------

#### GROUP 9 - ACCESSORIES & OPTIONAL EQUIPMENT

PTO .....	0
Electric Clutch .....	1
Oil Drain Kit .....	2
Remote Expansion Tank .....	3 - 4
Low Water Level Switch .....	5

#### Proprietary Information

This publication is the sole property of Northern Lights, Inc.  
It may not be reproduced in whole or part without the expressed written permission of Northern Lights, Inc.  
© Northern Lights, Inc. 2003. All rights reserved. Litho U.S.A. Publication number: P844K 12/03.

## Model Designation

### MODELS INCLUDED

This manual covers the operating instructions for:

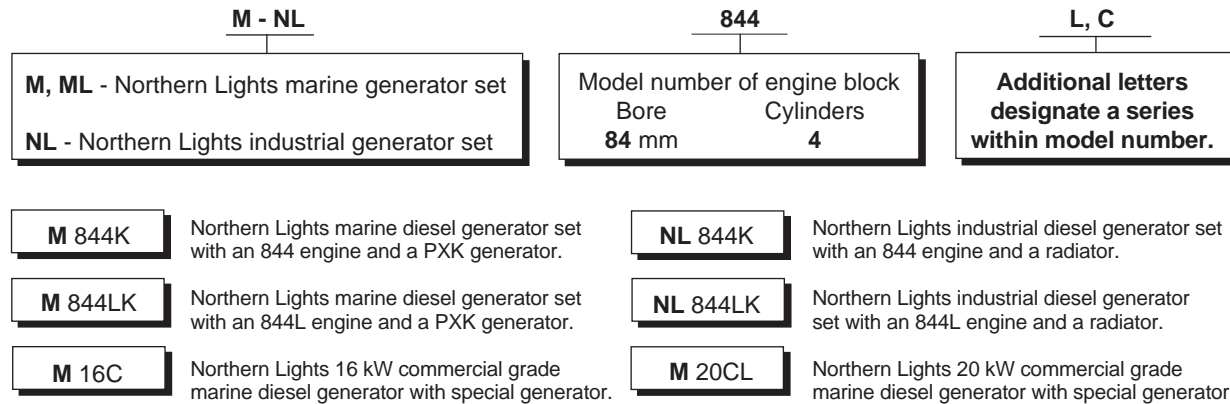
**M844K, M16C, M20CR, & NL844K** which use the 844 engine;

**M844LK, M20CL & NL844LK** which use the 844L engine.

**Note:** There are two versions of the 844 engine. The standard engine is designated 844. The long stroke engine is designated 844L. You will need to know which engine you have to use this manual and to order parts.

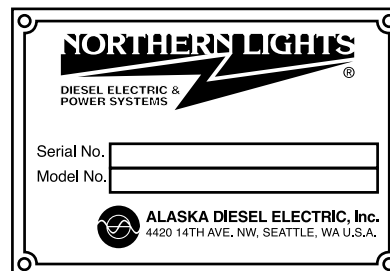
## Model Numbers

Model numbers give the unit's application, block model, aspiration, and RPM:



## Serial Numbers

Your set has three serial numbers: ① an engine number stamped on the block, ② a generator plate, and ③ a generator set plate. Use the serial number on the **generator set plate** when ordering parts or in correspondence. The generator set plate is found on the service side of the generator and resembles the drawing below.



## Reading a Parts Page

### IMPORTANT:

Before selecting parts, be sure that you are choosing parts from the correct page.  
Check the model designation at the page top.  
Do not use this illustration for parts purchasing.

KEY	PART NUMBER	QTY.	DESCRIPTION	SERIALNUMBER
0	185046210	1	Alternator Assembly	-
1	185446219	1	Flywheel, complete	-
2	185446217	1	Plate, complete	-
3	185716200	1	Plate	-
4	185446218	1	Stator, complete	-
5	040126210	2	Bearing	-
6	020210010	1	Nut	-
7	027100010	1	Spring washer	-
8	026100010	1	Washer	-
9	185446220	1	Clamp	-
10	015140408	1	Screw	-
11	015140425	2	Screw	-
12	199236510	1	Collar	-

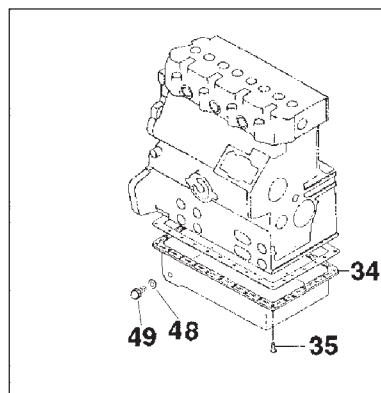
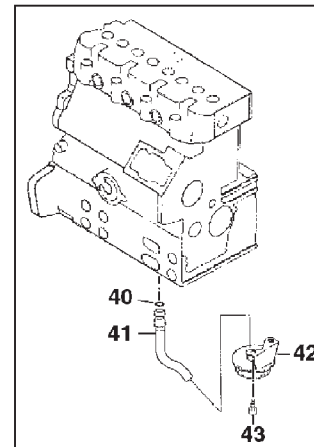
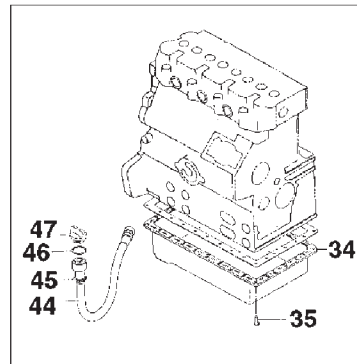
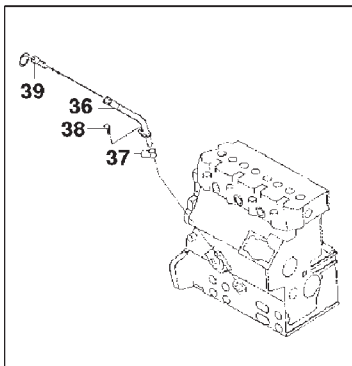
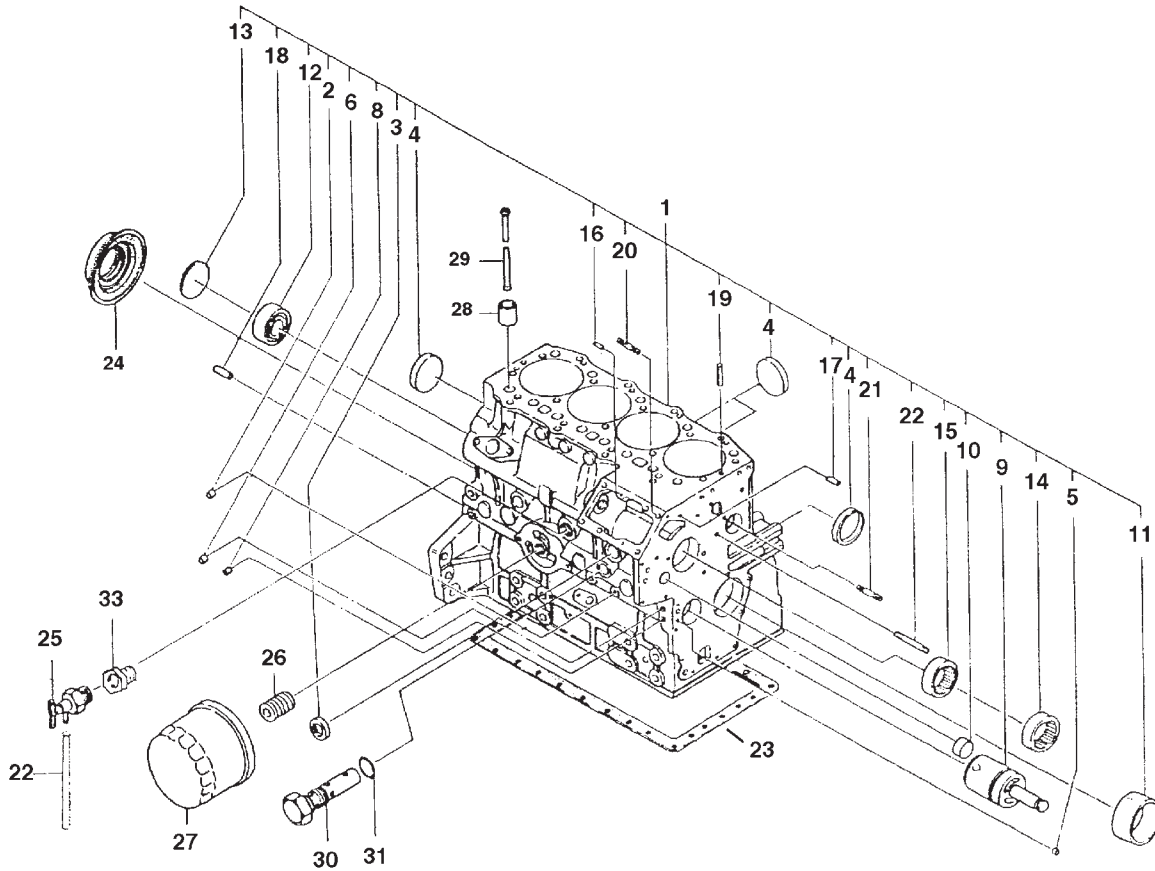
P844 06/96  
5 - 2

### REFERENCES:

1. Grouping section title.
2. Model designation of equipment that uses parts listed on this page.
3. Title and description of assembly.
4. Drawing numbers that correspond to key column numbers for parts identification.
5. Key column for locating parts shown on drawing.
6. Part number.
7. Quantity of parts used.
8. Description of each component part.
9. Serial number of unit the part fits.
10. Assembly or kit designated by Key 0 or ••/•.
11. Grouping index number.
12. Page number within the grouping index.
13. Manual title.
14. Page publication date.

**NOTE:** ⇨ Arrows always point toward the front of the engine.

# Cylinder Block Assembly: 844 & 16C

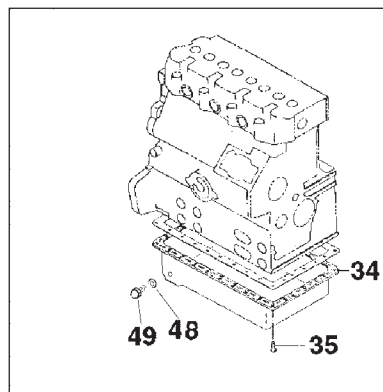
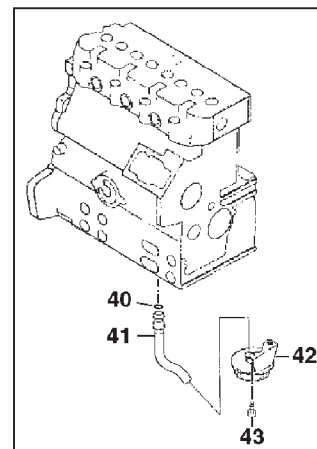
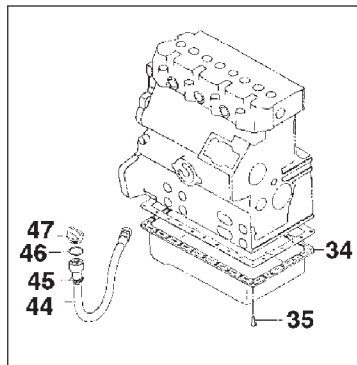
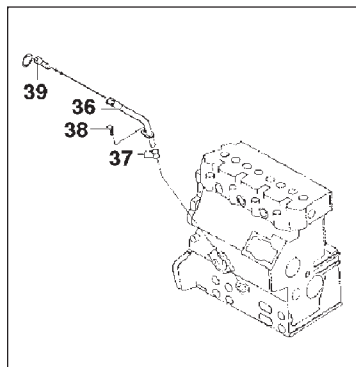
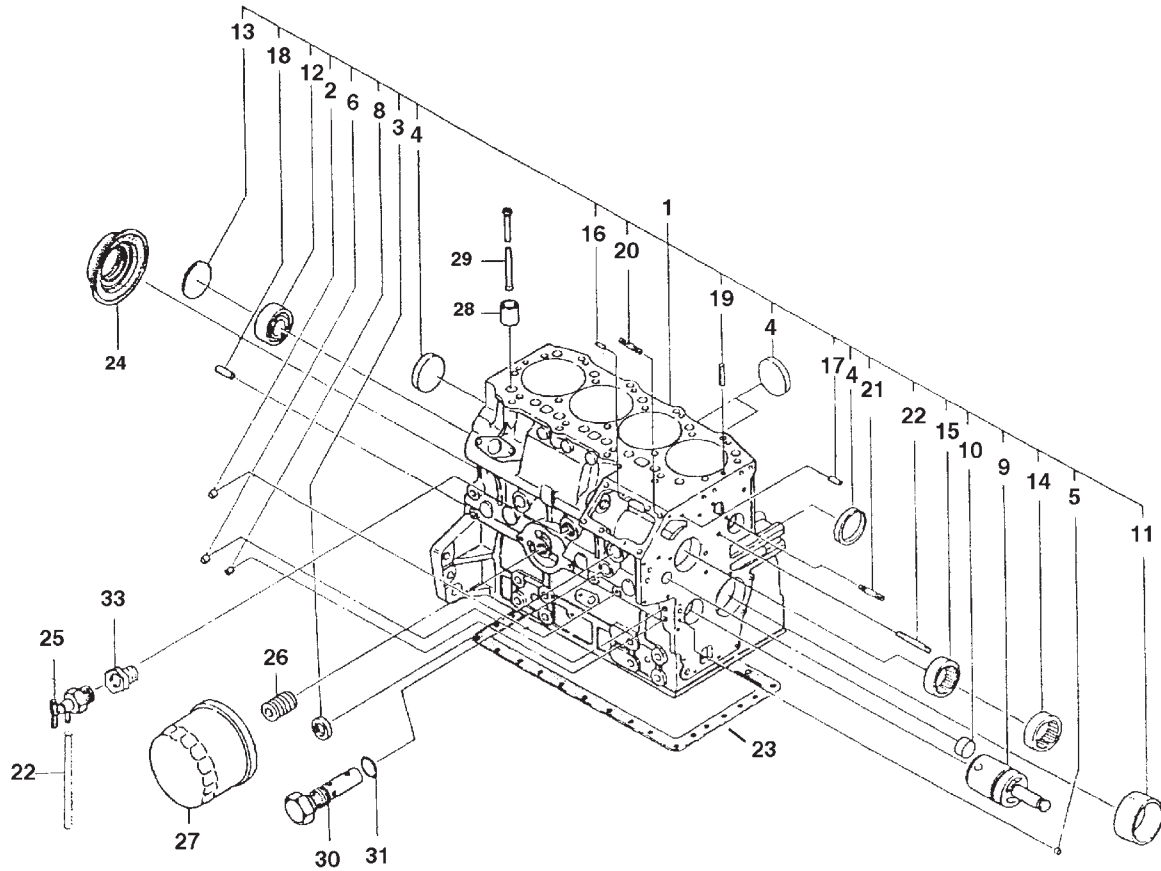


## Cylinder Block Assembly: 844 &amp; 16C

KEY	PART NUMBER	QTY	DESCRIPTION	SERIAL NUMBER
1	110107861	1	Cylinder Block Assembly - Marine (includes keys #2 - 21) Formerly #110107860	-
	110107921	1	Cylinder Block Assembly - Industrial (includes keys #2 - 21) Formerly #110107920	-
2	064410010	**	Plug	-
3	064200025	2	Expansion Plug 25 mm	-
4	064200040	5	Expansion Plug 40 mm	-
5	198466010	3	Plug	-
6	198466020	4	Plug	-
8	198466070	**	Plug	-
9	165296131	1	Idle Gear Shaft Assembly (formerly #165296130)	-
10	198466060	**	Plug	-
11	198517221	1	Bush; Standard (formerly #198517220)	-
	198517225	1	Bush; Undersize 0.25 mm (formerly #198517224)	-
	198517228	1	Bush; Undersize 0.50 mm (formerly #198517227)	-
12	040106203	1	Bearing	-
13	064100045	1	Expansion Plug 45 mm	-
14	042309018	1	Needle Bearing	-
15	042309017	1	Needle Bearing	-
16	030500612	2	Dowel Pin	-
17	030500616	2	Dowel Pin	-
18	030501025	2	Dowel Pin	-
19	030309005	2	Spring Pin	-
20	012100820	1	Stud Bolt M8 x 1.25 x 20 mm	-
21	012100635	1	Stud M6 x 1.0 x 35 mm	-
22	012100660	1	Stud M6 x 1.0 x 60 mm	-
23	110996600	1	Gasket	-
24	198636170	1	Oil Seal	-
	00-02004	**	Wear Sleeve; Repair Type	-
25	198736050	1	Drain Cock - Marine	-
	198736120	1	Drain Cock - Industrial (no longer available - use marine type & #33)	-
26	140546020	1	Joint	-
27	24-03100	1	Oil Filter	-
28	120116160	8	Tappet	-
29	120456250	8	Push Rod	-
30	140036120	1	Relief Valve Assembly	-
31	052100150	1	O-Ring	-
32	068115250	1	Tube	-
33	198486770	1	Bushing - Marine only	-
34	110707730	1	Oil Pan - Marine (formerly #110707730)	-
	110707751	1	Oil Pan - Industrial (formerly #110707750)	-
35	010109235	30	Bolt	-
36	110756070	1	Dipstick Tube	-
37	052100100	2	O-Ring	-
38	011300612	1	Bolt	-
39	198416320	1	Dipstick	-
40	052109076	1	O-Ring	-
41	140986630	1	Oil Pipe	-
42	140406360	1	Suction Filter	-
43	011310612	2	Bolt	-
44	140606710	1	Drain Hose*	-
45	198756200	1	Hose Clamp*	-
46	052100280	1	Gasket* (formerly #054109013)	-
47	398430560	1	Cap* (formerly #398430080)	-
48	025100012	2	Seal Washer - Industrial	-
49	010401212	2	Plug M12 x 1.25 - Industrial	-
			*Marine Application Only.	
			**As required.	



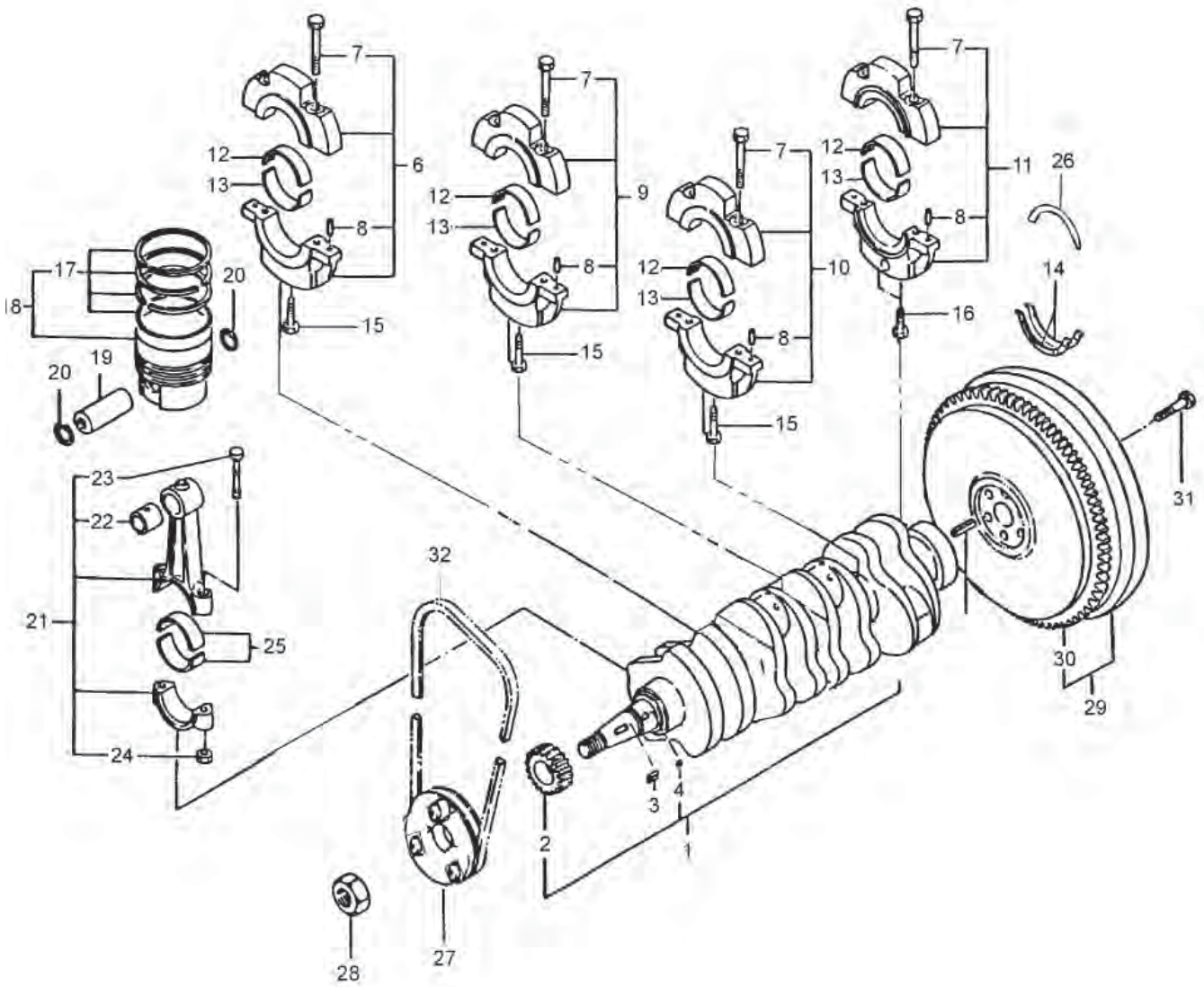
# Cylinder Block Assembly: 844L & 20CL



## Cylinder Block Assembly: 844L &amp; 20CL

KEY	PART NUMBER	QTY	DESCRIPTION	SERIAL NUMBER
1	110107811	1	Cylinder Block Assembly - Marine (includes keys #2 - 21) Formerly #110107810	-
	110107841	1	Cylinder Block Assembly - Industrial (includes keys #2 - 21) Formerly #110107840	-
2	064410010	**	Plug	-
3	064200025	2	Expansion Plug 25 mm	-
4	064200040	5	Expansion Plug 40 mm	-
5	198466010	3	Plug	-
6	198466020	4	Plug	-
8	198466070	**	Plug	-
9	165296131	1	Idle Gear Shaft Assembly (formerly #165296130)	-
10	198466060	**	Plug	-
11	198517221	1	Bush; Standard (formerly #198517220)	-
	198517225	1	Bush; Undersize 0.25 mm (formerly #198517224)	-
	198517228	1	Bush; Undersize 0.50 mm (formerly #198517227)	-
12	040106203	1	Bearing	-
13	064100045	1	Expansion Plug 45 mm	-
14	042309018	1	Needle Bearing	-
15	042309017	1	Needle Bearing	-
16	030500612	2	Dowel Pin	-
17	030500616	2	Dowel Pin	-
18	030501025	2	Dowel Pin	-
19	030309005	2	Spring Pin	-
20	012100820	1	Stud M8 x 1.25 x 20 mm	-
21	012100635	1	Stud M6 x 1.0 x 35 mm	-
22	012100660	1	Stud M6 x 1.0 x 60 mm	-
23	110996600	1	Gasket	-
24	050209083	1	Oil Seal	-
	00-02004	**	Wear Sleeve; Repair Type	-
25	198736050	1	Drain Cock - Marine	-
	198736120	1	Drain Cock - Industrial (no longer available - use marine type & #33)	-
26	140546020	1	Joint	-
27	24-03100	1	Oil Filter	-
28	120116160	8	Tappet	-
29	120456310	8	Push Rod	-
30	140036220	1	Relief Valve Assembly	-
31	052100150	1	O-Ring	-
32	068115250	1	Tube	-
33	198486770	1	Bushing - Marine only	-
34	110707731	1	Oil Pan - Marine (formerly #110707730)	-
	110707751	1	Oil Pan - Industrial (formerly #110707750)	-
35	010109235	30	Bolt	-
36	110756070	1	Dipstick Tube	-
37	052100100	2	O-ring	-
38	011300612	1	Bolt	-
39	198416320	1	Dipstick	-
40	052109076	1	O-ring	-
41	140986630	1	Oil Pipe	-
42	140406360	1	Suction Filter	-
43	011310612	2	Bolt	-
44	140606710	1	Drain Hose*	-
45	198756200	1	Hose Clamp*	-
46	052100280	1	Gasket* (formerly #054109013)	-
47	398430560	1	Cap* (formerly #398430080)	-
48	025100012	2	Seal Washer - Industrial	-
49	010401212	2	Plug M12 x 1.25 Industrial	-
			*Marine Application Only.	
			**As required.	

**Crankshaft Assembly: 844 & 16C**

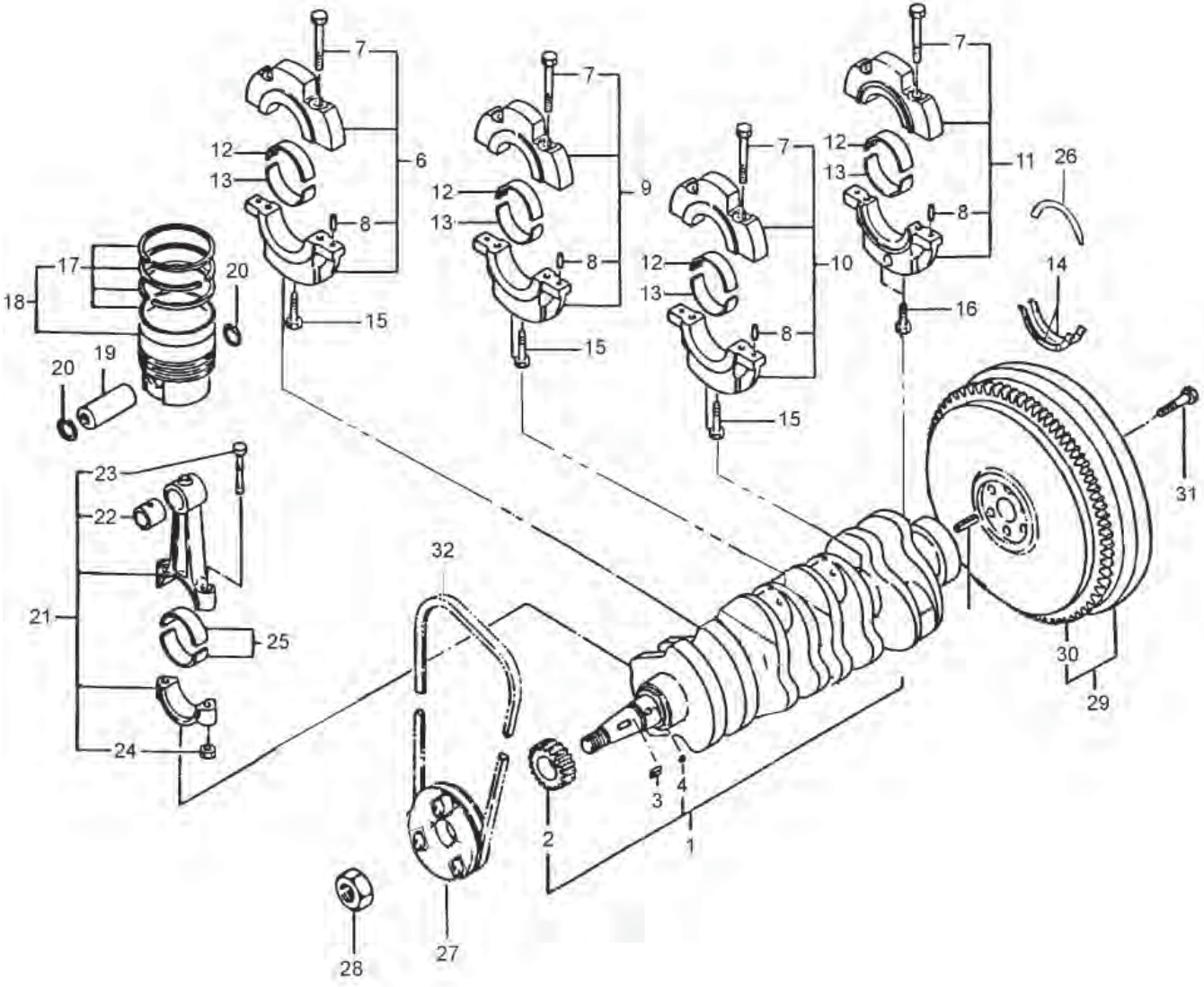


P844 1-4

## Crankshaft Assembly: 844 &amp; 16C

KEY	PART NUMBER	QTY	DESCRIPTION	SERIAL NUMBER
1	115256630	1	Crankshaft Assembly (includes keys #2 - #5)	-
2	115276200	1	Gear	-
3	034100508	1	Key	-
4	030509020	1	Dowel Pin	-
6	110156360	1	Bearing Holder Assembly (includes keys #7 - #8)	-
7	010109406	8	Bolt	-
8	030500612	8	Dowel Pin	-
9	110156370	1	Bearing Holder Assembly (includes keys #7 - #8)	-
10	110156380	1	Bearing Holder Assembly (includes keys #7 - #8)	-
11	110156390	1	Bearing Holder Assembly (includes keys #7 - #8)	-
12	198517231	4	Bearing; Standard (formerly #198517230)	-
	198517235	4	Bearing; Undersize 0.25 mm (formerly #198517234)	-
	198517238	4	Bearing; Undersize 0.50 mm (formerly #198517237)	-
13	198517241	4	Bearing; Standard (formerly #198517240)	-
	198517245	4	Bearing; Undersize 0.25 mm (formerly #198517244)	-
	198517248	4	Bearing; Undersize 0.50 mm (formerly #198517247)	-
14	199266200	2	Thrust Washer	-
15	011511075	3	Bolt	-
16	010700865	2	Bolt	-
17	115107840	4	Ring Kit; Standard	-
	115104084	4	Ring Kit; Oversize 0.50 mm (formerly #115017293)	-
	115104087	4	Ring Kit; Oversize 1.00 mm (formerly #115017295)	-
18	115016810	4	Piston Kit; Standard (includes key #17)	-
	115016814	4	Piston Kit; Oversize 0.50 mm (includes key #17)	-
	115016817	4	Piston Kit; Oversize 1.00 mm (includes key #17)	-
19	115326220	4	Piston Pin	-
20	036500028	8	Snap Ring	-
21	115026251	4	Connecting Rod Assembly (includes keys #22 - #24)	-
22	198517265	4	Bushing	-
23	115176140	8	Connecting Rod Bolt	-
24	020109120	8	Nut	-
25	198517251	8	Bearing; Standard (formerly #198517250)	-
	198517255	8	Bearing; Undersize 0.25 mm (formerly #198517254)	-
	198517258	6	Bearing; Undersize 0.50 mm (formerly #198517257)	-
26	199266210	1	Thrust Washer	-
27	115397620	1	Pulley	-
28	020109086	1	Nut	-
29	115357050	1	Flywheel Assembly (Includes key #30) SAE #7-1/2	-
30	115376040	1	Ring Gear (109 teeth)	-
31	010109341	6	Bolt	-
32	40-02003	1	Drive Belt (with 12V/35A alternator)	-
	40-02004	1	Drive Belt (with 24V/35A alternator) Formerly #40-74500	up to S/N xxxx-xxxx
	40-02005	1	Drive Belt (with 12V/51A and 24V/35A alternators)	from S/N xxxx-xxxx

Crankshaft Assembly: 844L & 20CL



P844 1-4

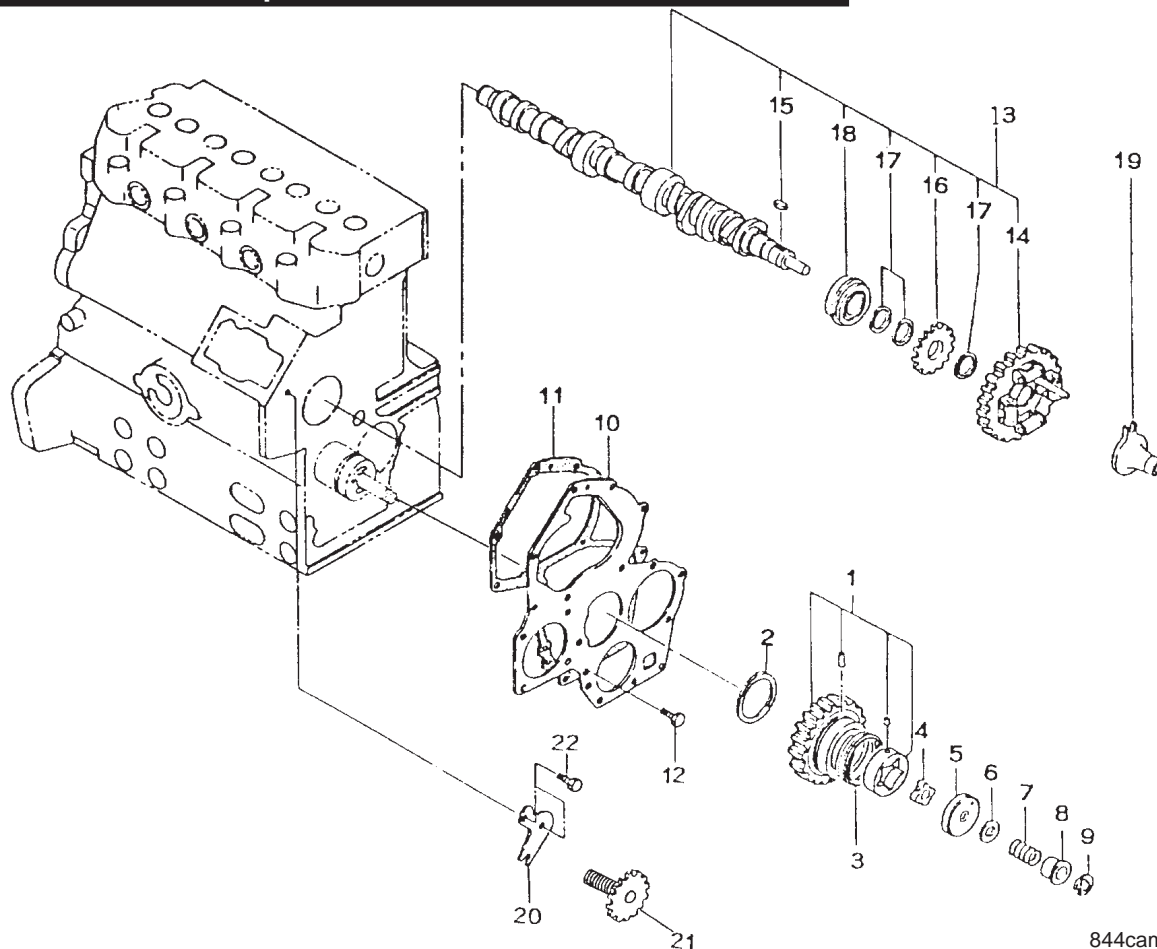
## Crankshaft Assembly: 844L &amp; 20CL

KEY	PART NUMBER	QTY	DESCRIPTION	SERIAL NUMBER
1	115256750	1	Crankshaft Assembly (includes keys #2 - #5)	-
2	115276200	1	Gear	-
3	034100508	1	Key	-
4	030509020	1	Dowel Pin	-
6	110156360	1	Bearing Holder Assembly (includes keys #7 - #8)	-
7	010109406	8	Bolt	-
8	030500612	8	Dowel Pin	-
9	110156370	1	Bearing Holder Assembly (includes keys #7 - #8)	-
10	110156380	1	Bearing Holder Assembly (includes keys #7 - #8)	-
11	110156390	1	Bearing Holder Assembly (includes keys #7 - #8)	-
12	198517231	4	Bearing; Standard (formerly #198517230)	-
	198517235	4	Bearing; Undersize 0.25 mm (formerly #198517234)	-
	198517238	4	Bearing; Undersize 0.50 mm (formerly #198517237)	-
13	198517241	4	Bearing; Standard (formerly #198517240)	-
	198517245	4	Bearing; Undersize 0.25 mm (formerly #198517244)	-
	198517248	4	Bearing; Undersize 0.50 mm (formerly #198517247)	-
14	199266200	2	Thrust Washer	-
15	010109667	3	Bolt (formerly #011511070)	-
16	010700865	2	Bolt	-
17	115107840	4	Ring Kit; Standard	-
	115104084	4	Ring Kit; Oversize 0.50 mm (formerly #115017293)	-
	115104087	4	Ring Kit; Oversize 1.00 mm (formerly #115017295)	-
18	115016810	4	Piston Kit; Standard (includes key #17) Replaced by #115017310	up to S/N xxxxx-13662*
	115016814	4	Piston Kit; Oversize 0.50 mm (includes key #17) Replaced by #115017320	up to S/N xxxxx-13662*
	115016817	4	Piston Kit; Oversize 1.00 mm (includes key #17)	up to S/N xxxxx-13662*
	115017310	4	Piston Kit; Standard	from S/N xxxxx-13663*
	115017320	4	Piston Kit; Oversize 0.50 mm (includes key #17)	from S/N xxxxx-13663*
19	115326220	4	Piston Pin	-
20	036500028	8	Snap Ring	-
21	115026330	4	Connecting Rod Assembly (includes keys #22 - #24)	-
22	198517265	4	Bushing	-
23	115176140	8	Connecting Rod Bolt	-
24	020109120	8	Nut	-
25	198517251	8	Bearing; Standard (formerly #198517250)	-
	198517255	8	Bearing; Undersize 0.25 mm (formerly #198517254)	-
	198517258	6	Bearing; Undersize 0.50 mm (formerly #198517257)	-
26	199266210	1	Thrust Washer	-
27	115397620	1	Pulley - Marine	-
	115396870	1	Pulley - Industrial	-
28	020109086	1	Nut	-
29	115357470	1	Flywheel Assembly (includes key #30) SAE #7-1/2	-
30	115376160	1	Ring Gear (126 teeth)	-
31	010109341	6	Bolt	-
32	40-08401	1	Drive Belt (with 12V/35A alternator)	-
	40-08404	1	Drive Belt (with 24V/35A alternator)	-
	40-08405	1	Drive Belt (with 24V/35A alternator: Bertram spec)	-

**\*NOTE:**

Earlier design pistons may not be substituted for new pattern items.

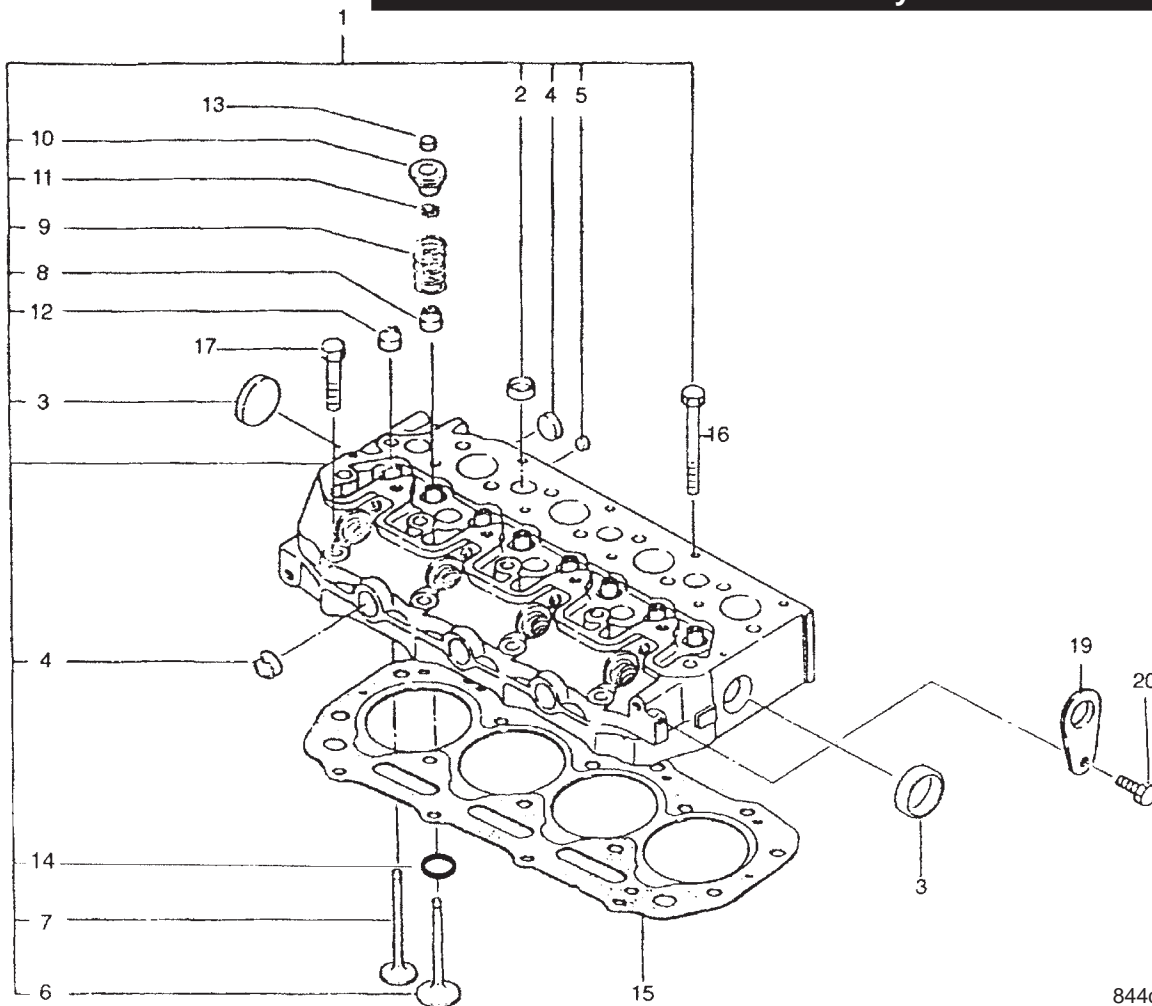
### Camshaft & Oil Pump



844camshaft

KEY	PART NUMBER	QTY	DESCRIPTION	SERIAL NUMBER
1	165026120	1	Idle Gear Assembly (includes key #3)	-
2	199266180	1	Thrust Washer	-
3	198216821	1	Spring	-
4	140166140	1	Rotor	-
5	140116140	1	Oil Pump Cover	-
6	199286150	1	Shim; t = 0.10	-
	199286160	1	Shim; t = 0.15	-
	199286170	1	Shim; t = 0.20	-
	199286180	1	Shim; t = 0.50	-
7	198216720	1	Spring	-
8	199236540	1	Collar	-
9	036800010	1	Snap Ring	-
10	165166450	1	Front Plate - Marine	-
	165166290	1	Front Plate - Industrial	-
11	165996361	1	Gasket	-
12	011300612	2	Bolt	-
13	120026320	1	Camshaft Assembly (includes keys #14 - 18)	-
14	120016050	1	Cam Gear	-
15	034100508	1	Key	-
16	120736081	1	Gear	-
17	199216230	3	Spacer	-
18	040109057	1	Bearing	-
19	125256120	1	Slider	-
20	199566750	1	Plate	-
22	011310612	2	Bolt	-

Cylinder Head: 844 & 16C



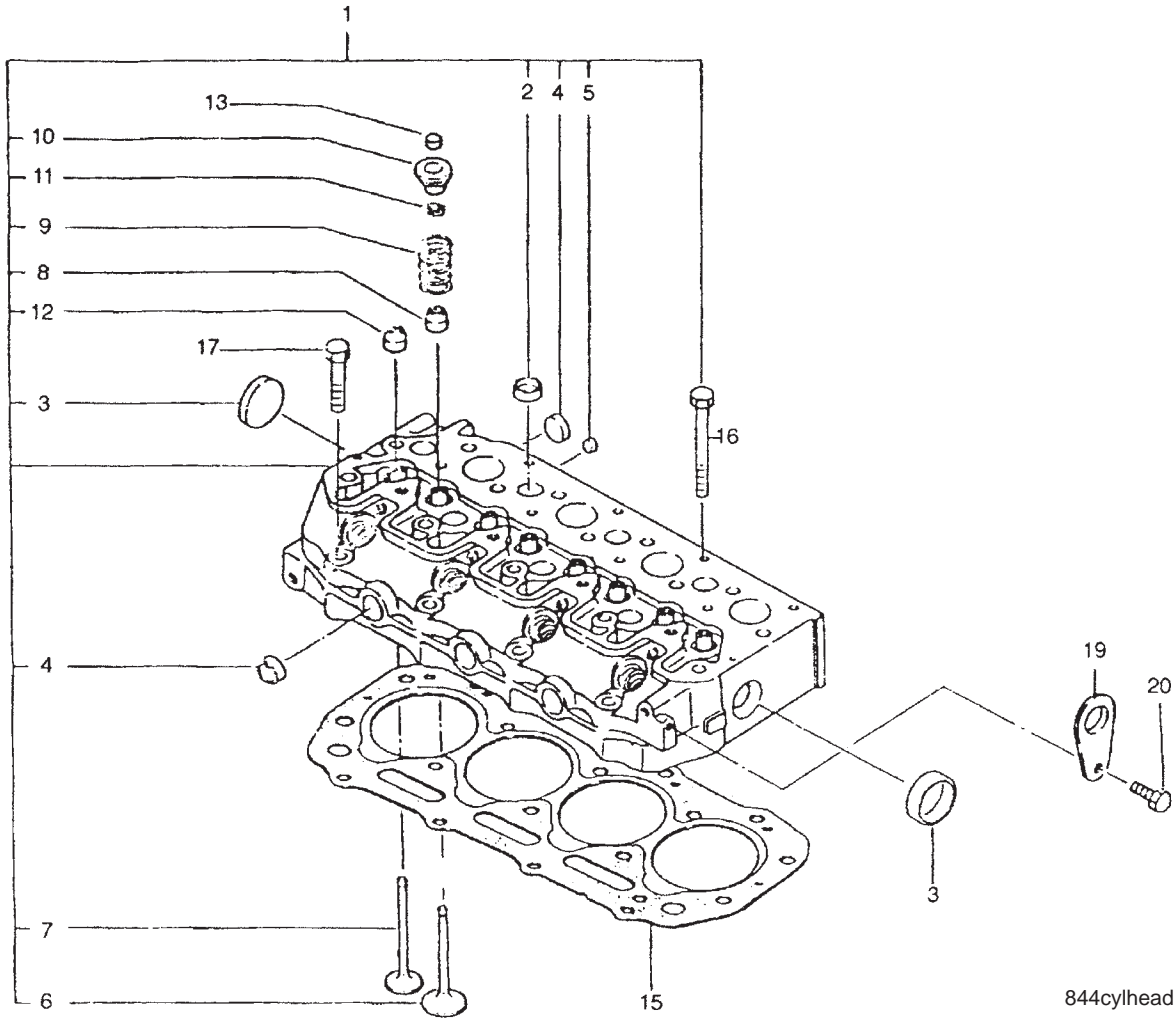
844cylhead

KEY	PART NUMBER	QTY	DESCRIPTION	SERIAL NUMBER
1	111017450	1	Cylinder Head Assembly - Marine (includes keys #2 - 14)	-
	111017530	1	Cylinder Head Assembly - Industrial (includes keys #2 - 14)	-
2	064200018	7	Expansion Plug 18 mm	-
3	064200030	2	Expansion Plug 30 mm	-
4	064200025	6	Expansion Plug 25 mm	-
5	064200010	3	Expansion Plug 10 mm	-
6	120166290	4	Intake Valve	-
7	120176300	4	Exhaust Valve	-
8	120406070	4	Valve Gude Seal - Intake	-
9	198216700	8	Spring	-
10	120186080	8	Retainer	-
11	120226070	16	Keeper	-
12	120406050	4	Valve Gude Seal - Exhaust	-
13	120216040	8	Cap	-
14	110136400	4	Valve Seat - Intake	-
15	111147520	1	Head Gasket; t = 1.4 mm (formerly #111147200)	-
16	111136360	14	Head Bolt (17 mm Hex)	-
	111136480	14	Head Bolt (14 mm Hex)	-
17	111136370	4	Head Bolt (17 mm Hex)	-
	111136490	4	Head Bolt (14 mm Hex)	-
19	195816540	2	Lifting Eye	-
20	011510816	2	Bolt	-



GROUP 1 – ENGINE

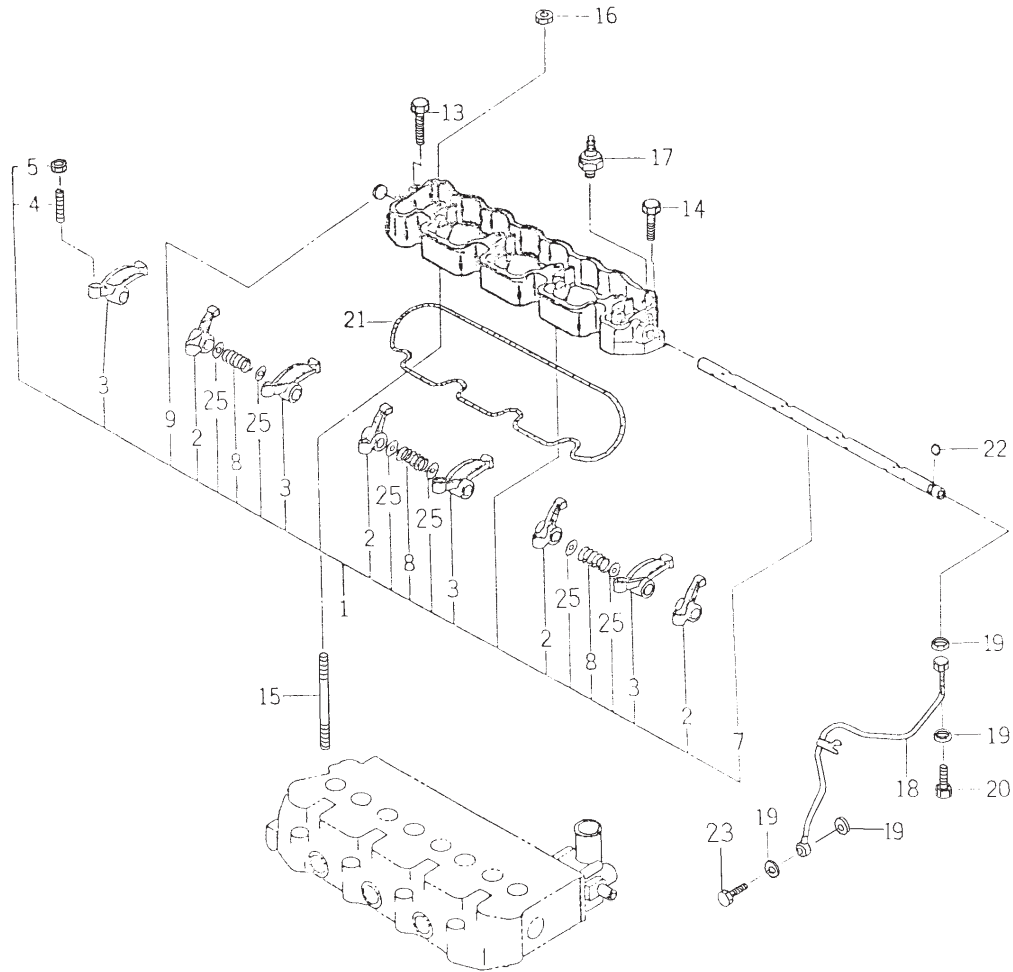
Cylinder Head: 844L & 20CL



844cylhead

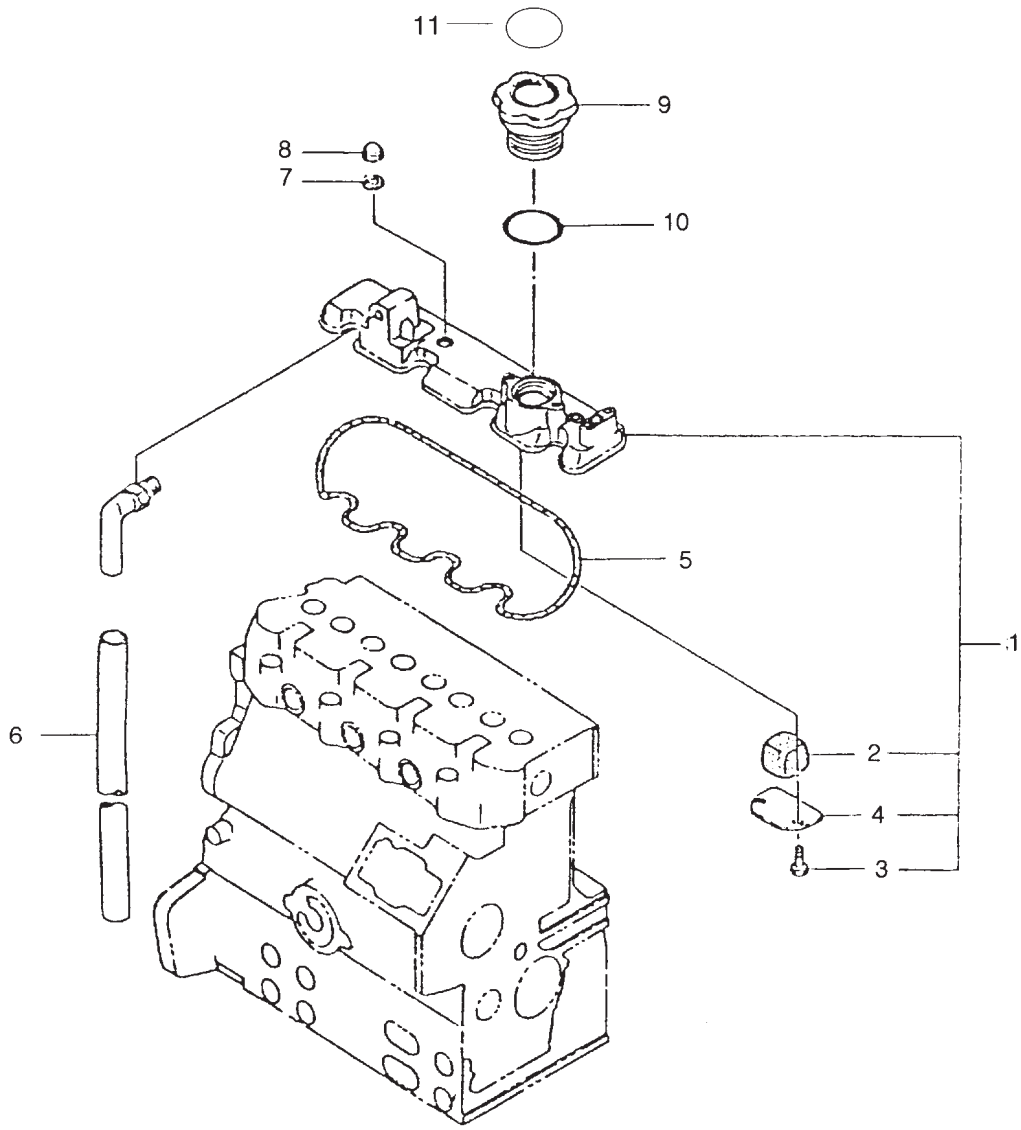
KEY	PART NUMBER	QTY	DESCRIPTION	SERIAL NUMBER
1	111017430	1	Cylinder Head Assembly - Marine (includes keys #2 - 14)	-
	111017440	1	Cylinder Head Assembly - Industrial (includes keys #2 - 14)	-
2	064200018	7	Expansion Plug 18 mm	-
3	064200030	2	Expansion Plug 30 mm	-
4	064200025	6	Expansion Plug 25 mm	-
5	064200010	3	Expansion Plug 10 mm	-
6	120166350	4	Intake Valve	-
7	120176360	4	Exhaust Valve	-
8	120406070	4	Valve Gude Seal - Intake	-
9	198216700	8	Spring	-
10	120186080	8	Retainer	-
11	120226070	16	Keeper	-
12	120406050	4	Valve Gude Seal - Exhaust	-
13	120216040	8	Cap	-
15	111147460	1	Head Gasket; t = 0.5 mm	-
16	111136360	14	Head Bolt (17 mm Hex)	-
	111136480	14	Head Bolt (14 mm Hex)	-
17	111136370	4	Head Bolt (17 mm Hex)	-
16	111136490	4	Head Bolt (14 mm Hex)	-
19	195816540	2	Lifting Eye	-
20	011 310816	2	Bolt	-

**Rocker Arm Assembly**



KEY	PART NUMBER	QTY	DESCRIPTION	SERIAL NUMBER
1	120036661	1	Rocker Arm Assembly - Marine (includes keys #2 - 9)	-
	120036402	1	Rocker Arm Assembly - Industrial (includes keys #2 - 9)	-
2	120356131	4	Rocker Arm - Intake	-
3	120356141	4	Rocker Arm - Exhaust	-
4	199486220	8	Screw	-
5	020109076	8	Nut	-
7	120316200	1	Rocker Arm Shaft	-
8	198217170	2	Spring	-
9	064200015	**	Expansion Plug 15 mm	-
13	011300650	1	Bolt	-
14	011300625	4	Bolt	-
15	012109044	1	Stud M10 x 1.25 x 80 mm	-
16	14-00814	4	Hex Nut M10 x 1.25	-
17	185246011	1	Oil Pressure Switch	-
18	140606720	1	Oil Pipe (844 & 16C)	-
	140607020	1	Oil Pipe (844L & 20CL)	-
19	198996060	4	Gasket	-
20	198486780	1	Banjo Bolt	-
21	052109074	1	Gasket	-
22	052109076	1	O-Ring	-
23	198487590	1	Banjo Bolt	-
25	199280300	6	Shim	-
			**As required.	

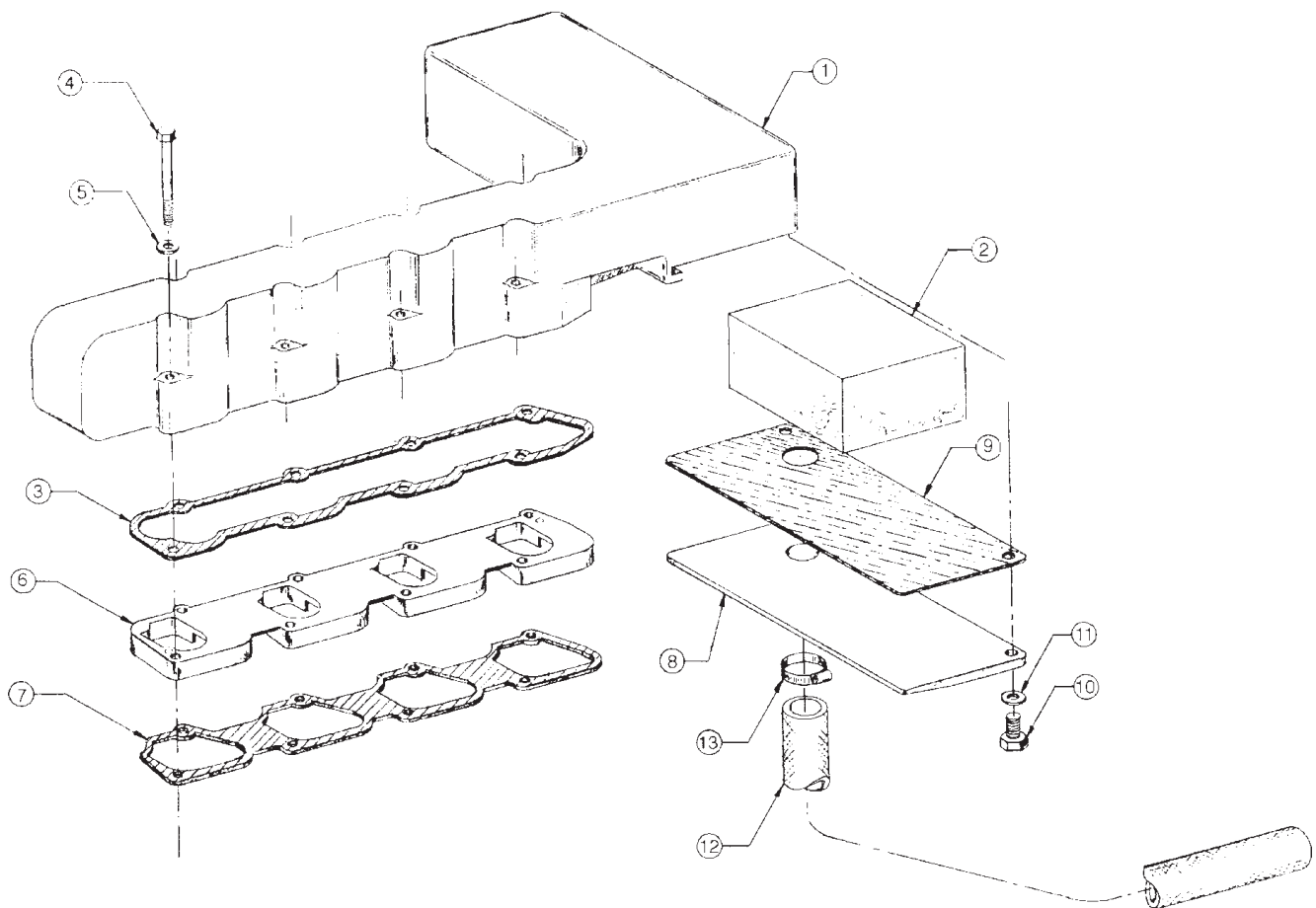
**Rocker Arm Cover**



844rockercover

KEY	PART NUMBER	QTY	DESCRIPTION	SERIAL NUMBER
1	111026920	1	Rocker Arm Cover - Marine (includes keys #2 - 4)	-
	111026840	1	Rocker Arm Cover - Industrial (includes keys #2 - 4)	-
2	110666090	1	Filter	-
3	011300612	2	Bolt	-
4	110666050	1	Oil Stopper	-
5	052109072	1	O-ring	-
6	068109036	1	Tube	-
7	198996071	4	Gasket	-
8	024600010	4	Cap Nut	-
9	198436010	1	Filler Cap	-
10	052100400	1	O-ring	-
11	190197400	1	Caution Label	-

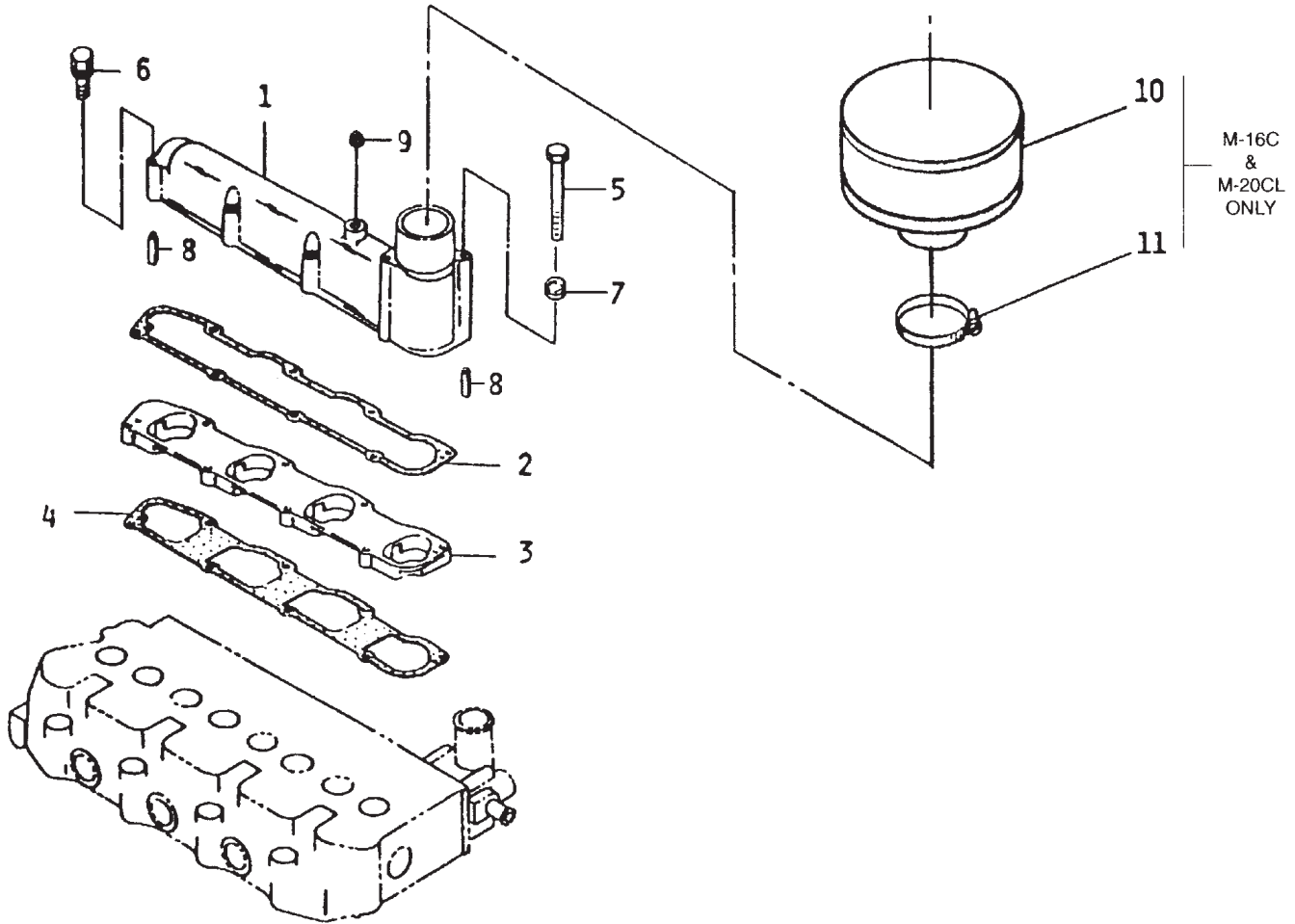
**Air Intake & Filter: M844 & M844L**



A-6257 / D-2442

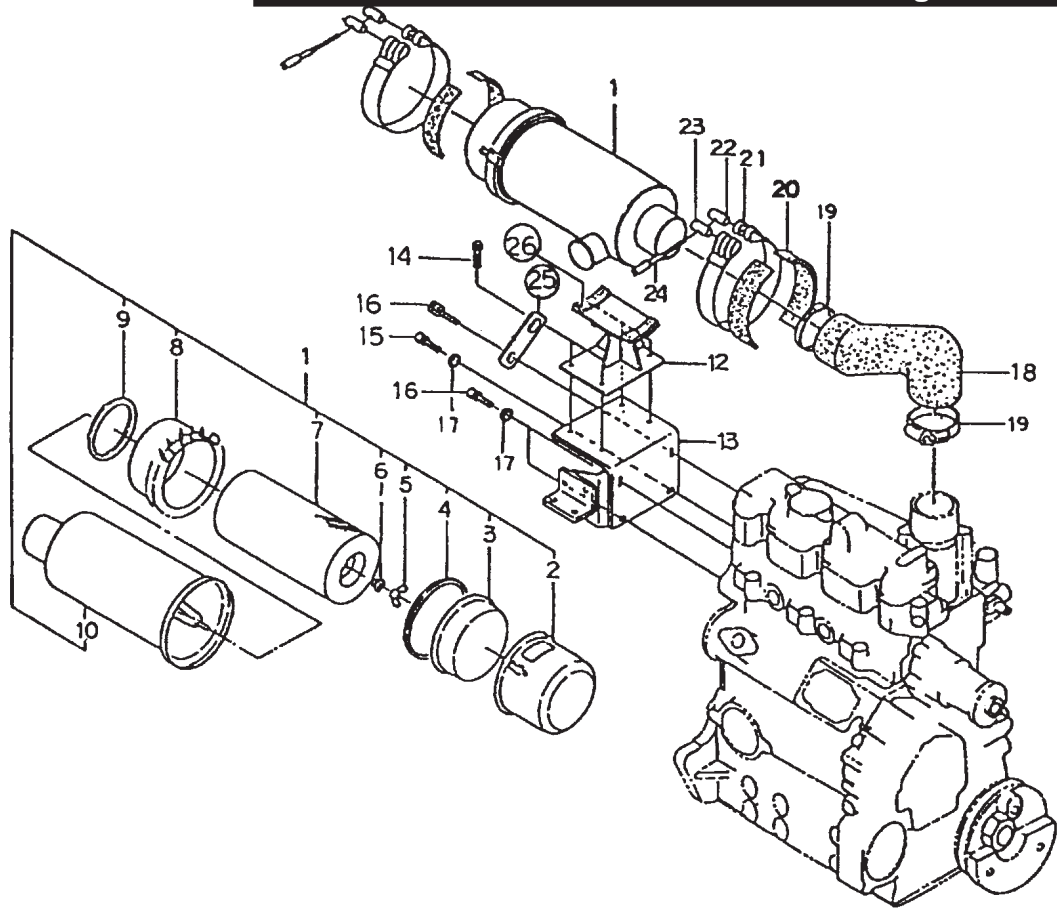
KEY	PART NUMBER	QTY	DESCRIPTION	SERIAL NUMBER
1	10-28101	1	Air Intake Manifold	-
2	24-28101	1	Air Filter Element	-
3	135996480	1	Gasket	-
4	12-01125	8	Capscrew, Hex Head M6 x 1.0 x 65 mm	-
5	12-00008	8	Flat Washer M6	-
6	135597340	1	Spacer	-
7	135996600	1	Gasket	-
8	28-28102	1	Air Intake Cover*	-
9	11-28101	1	Gasket	-
10	12-00711	2	Capscrew, Hex Head M8 x 1.25 x 20 mm	-
11	15-00701	2	Flat Washer M8	-
12	18-28102	1	Air Intake Hose*	-
13	19-00024	1	Hose Clamp #24*	-
<p><b>*NOTE:</b> Items marked replace earlier Cover #28-28101, Hose #18-28101 &amp; Clamp #19-00020.</p>				

**Air Intake & Filter: M16C, M20CL & NL844**



KEY	PART NUMBER	QTY	DESCRIPTION	SERIAL NUMBER
1	135596710	1	Intake Manifold (M-16C & M-20CL)	-
	135596720	1	Intake Manifold (NL-844 & 844L)	-
2	135996480	1	Gasket	-
3	135597340	1	Spacer (M-16C & M-20CL)	-
1	135596930	1	Spacer (NL-844 & 844L)	-
4	135996600	1	Gasket	-
5	12-01137	2	Capscrew, Hex Head M6 x 1.0 x 105 mm	-
6	12-01133	6	Capscrew, Hex Head M6 x 1.0 x 60 mm	-
7	15-00008	8	Flat Washer M6	-
8	030300410	2	Spring Pin	-
9	064500010	1	Plug 1/8 BSPT	-
10	24-28401	1	Air Filter (M-16C & M-20CL)	-
11	19-00036	1	Hose Clamp #36	-

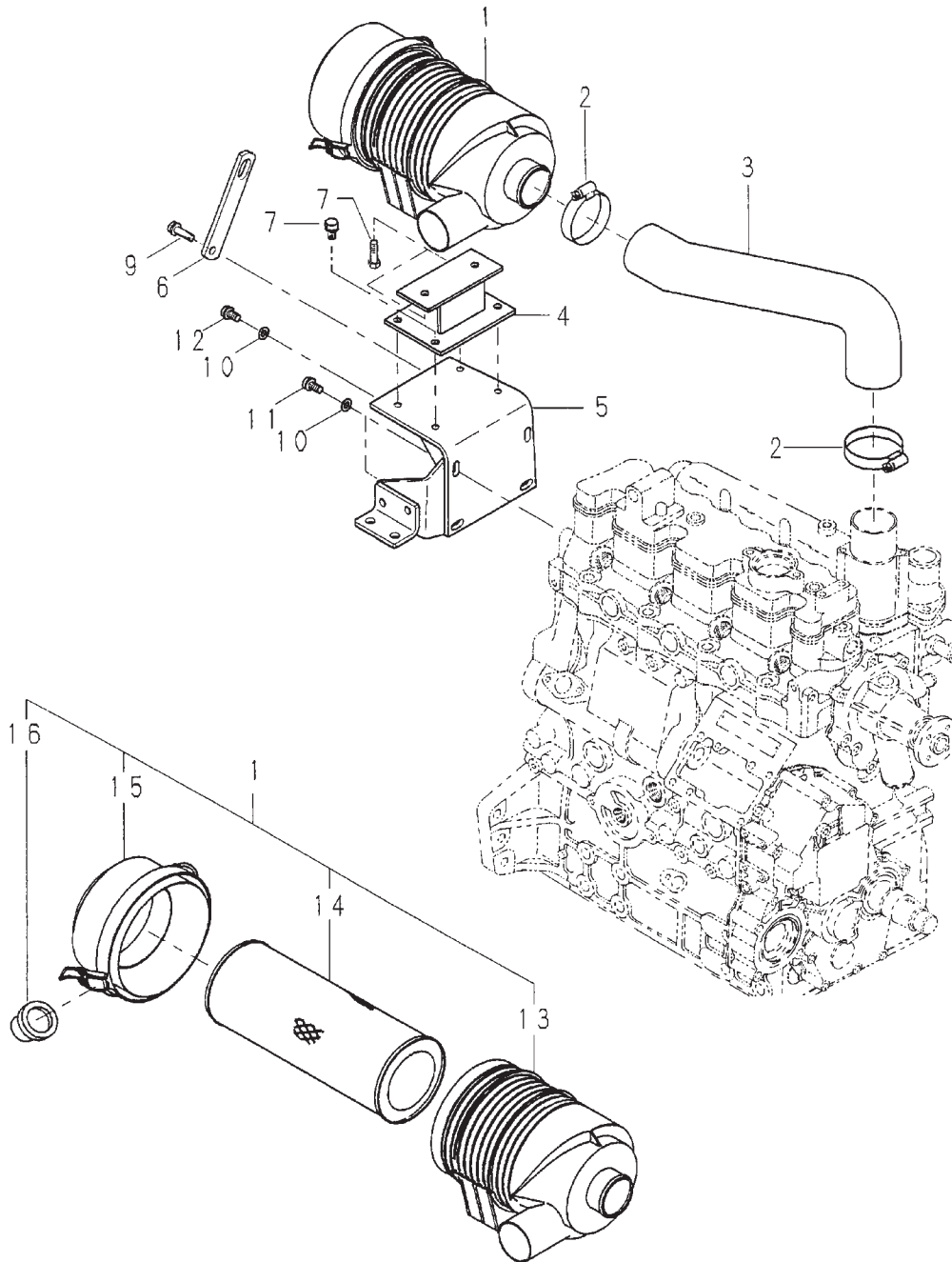
**Air Filter & Mounting: NL844 & 844L**



KEY	PART NUMBER	QTY	DESCRIPTION	SERIAL NUMBER
1	314500371	1	Air Cleaner Assembly (includes keys #2 - 10)	-
2	314531104	1	Casing Assembly	-
3	314531062	1	Dust Cap	-
4	314531061	1	Gasket	-
5	024100008	1	Wing Nut	-
6	314531125	1	Seal Washer	-
7	314531127	1	Element (marked #314531065)	-
8	314531058	1	Wing	-
9	314531057	1	Gasket	-
10	314531105	1	Cap Assembly	-
12	135976430	1	Bracket	-
13	135976420	1	Bracket	-
14	011310816	4	Bolt	-
15	011310820	1	Bolt	-
16	011310825	3	Bolt	-
17	026100008	3	Washer	-
18	135597330	1	Intake Hose	-
19	19-00036	2	Hose Clamp #36	-
20	398113190	4	Rubber Cushion	-
21	314630020	2	Clamp	-
22	399610110	2	Pin	-
23	399610100	2	Pin	-
24	399480070	2	Screw	-
25	195816100	1	Lifting Eye	-
26	398117800	2	Rubber Cushion	-

# Air Filter & Mounting NL844 & 844L

Late Production



844aircleaner

## Air Filter &amp; Mounting NL844 &amp; 844L

Late Production

KEY	PART NUMBER	QTY	DESCRIPTION	SERIAL NUMBER
1	135016300	1	Air Cleaner Assembly (includes keys #13-16)	-
2	198756220	2	Hose Band	-
3	135597710	1	Hose	-
4	135976600	1	Bracket	-
5	135976420	1	Bracket	-
6	195816100	1	Lifting Eye	-
7	011510816	6	Bolt	-
9	011510825	1	Bolt	-
10	026100008	3	Washer	-
11	011510825	2	Bolt	-
12	011510820	1	Bolt	-
13	135326197	1	Housing	-
14	24-27302	1	Element	-
15	135326199	1	Cover Assembly	-
16	135326196	1	Valve	-



**Exhaust Manifold & Muffler: NL844**

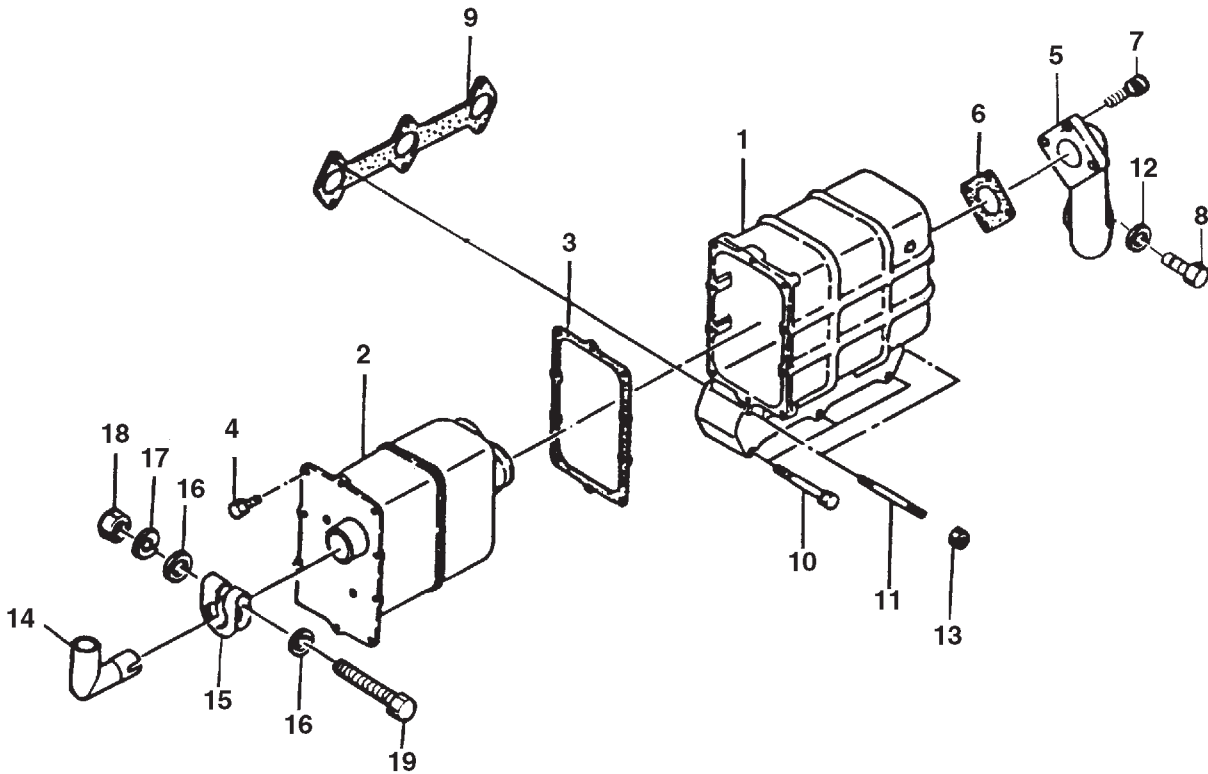


Fig. 2-4

KEY	PART NUMBER	QTY	DESCRIPTION	SERIAL NUMBER
1	135616700	1	Exhaust Manifold	-
2	135406230	1	Muffler Element	-
3	135996530	1	Gasket	-
4	011300612	10	Capscrew, Hex Head with Washer M6 x 1.0 x 12 mm	-
5	135656130	1	Exhaust Pipe	-
6	135996550	1	Gasket	-
7	011310625	3	Capscrew, Hex Head with Washer M6 x 1.0 x 25 mm	-
8	12-00031	2	Hex Nut M6 x 1.0 x 25 mm	-
9	135996720	1	Gasket	-
10	12-00063	4	Capscrew, Hex Head M6 x 1.0 x 70 mm	-
11	012110670	2	Stud M6 x 1.0 x 70 mm	-
12	15-01132	1	Lock Washer M8	-
13	14-01131	2	Hex Nut M6 x 1.0	-
14	27-33102	1	Exhaust Elbow 1-1/2 NPT	-
15	314410020	1	Clamp	-
16	15-00701	2	Flat Washer M8	-
17	15-00702	1	Lock Washer M8	-
18	14-00711	1	Hex Nut M8 x 1.25	-
19	12-00718	2	Capscrew, Hex Head M8 x 1.25 x 65 mm	-

**Exhaust Manifold & Muffler: NL844L**

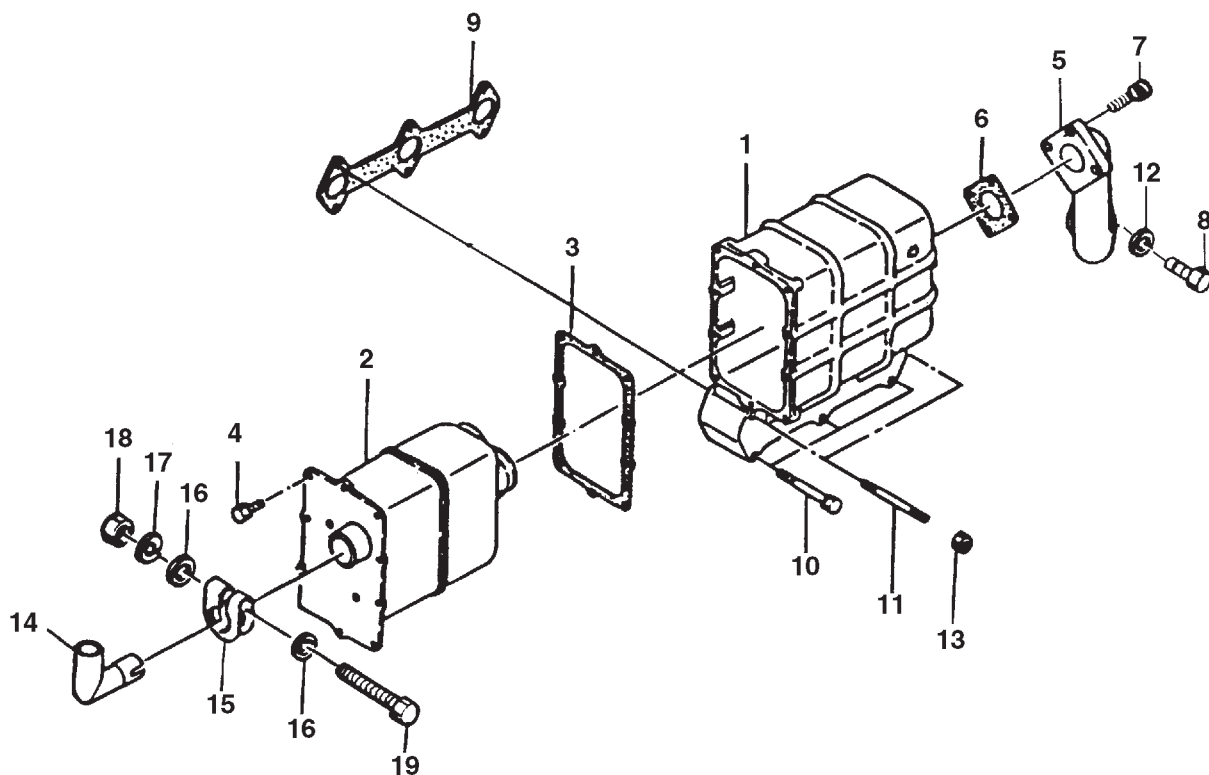
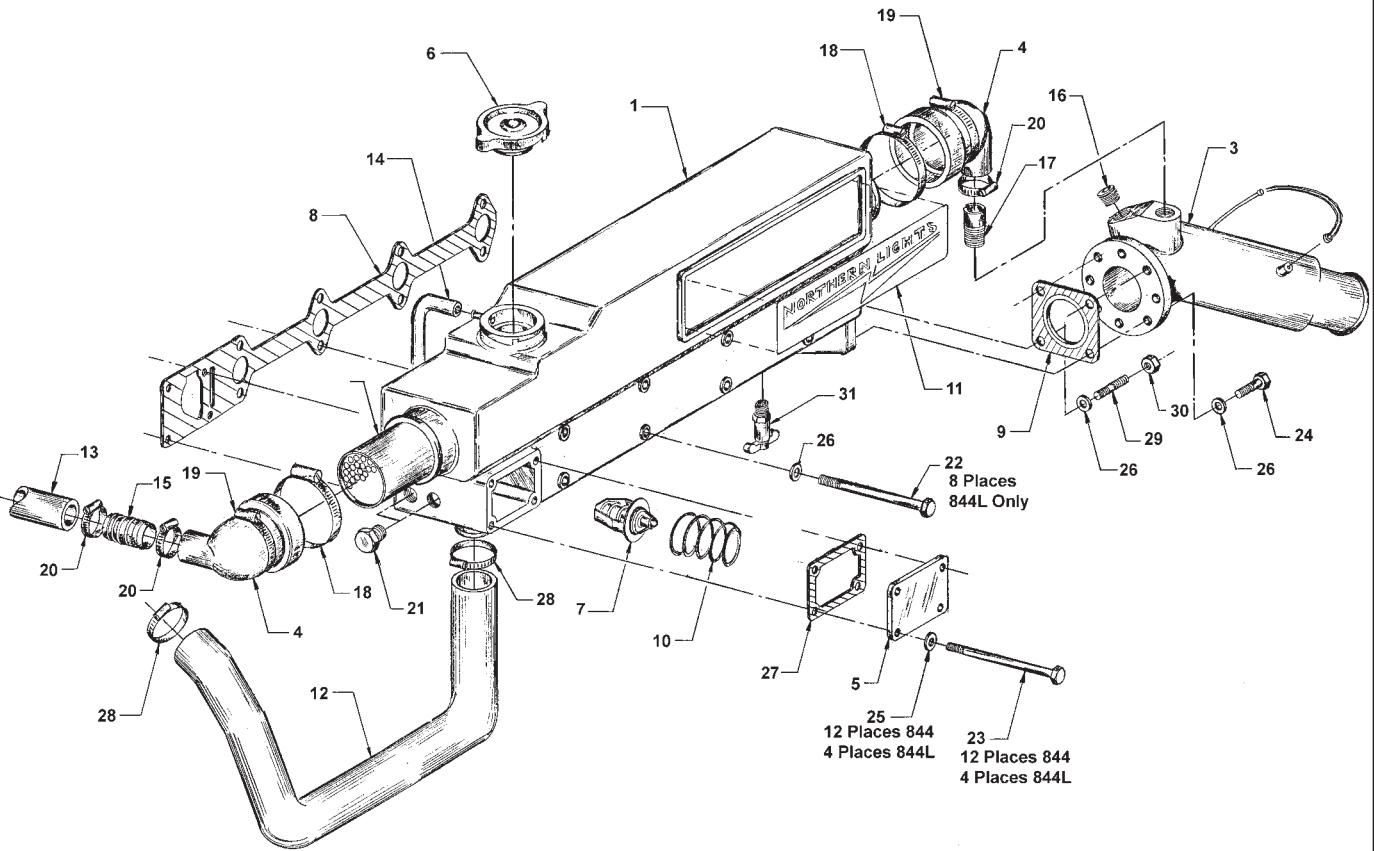


Fig. 2-4

KEY	PART NUMBER	QTY	DESCRIPTION	SERIAL NUMBER
1	135617170	1	Exhaust Manifold	-
2	135406230	1	Muffler Element	-
3	135996530	1	Gasket	-
4	011300612	10	Capscrew, Hex Head with Washer M6 x 1.0 x 12 mm	-
5	135656140	1	Exhaust Pipe	-
6	135996550	1	Gasket	-
7	011310625	3	Capscrew, Hex Head with Washer M6 x 1.0 x 25 mm	-
8	12-00056	2	Capscrew, Socket Head M8 x 1.25 x 25	-
9	135996780	1	Gasket	-
10	12-34801	**	Capscrew, Hex Head M8 x 1.25 x 70 mm	-
11	012100870	**	Stud M8 x 1.25 x 70 mm	-
12	15-00704	2	Lock Washer, Hi-Collar M8	-
13	14-00711	**	Hex Nut M8 x 1.25	-
14	135606340	1	Exhaust Elbow	-
	27-33103	1	Exhaust Elbow 1-1/2 NPT	-
15	314410020	1	Clamp	-
16	15-00701	2	Flat Washer M8	-
17	15-00702	1	Lock Washer M8	-
18	14-00711	1	Hex Nut M8 x 1.25	-
19	12-00718	1	Capscrew, Hex Head M8 x 1.25 x 65 mm	-
			**As required.	

# Heat Exchanger & Exhaust Manifold



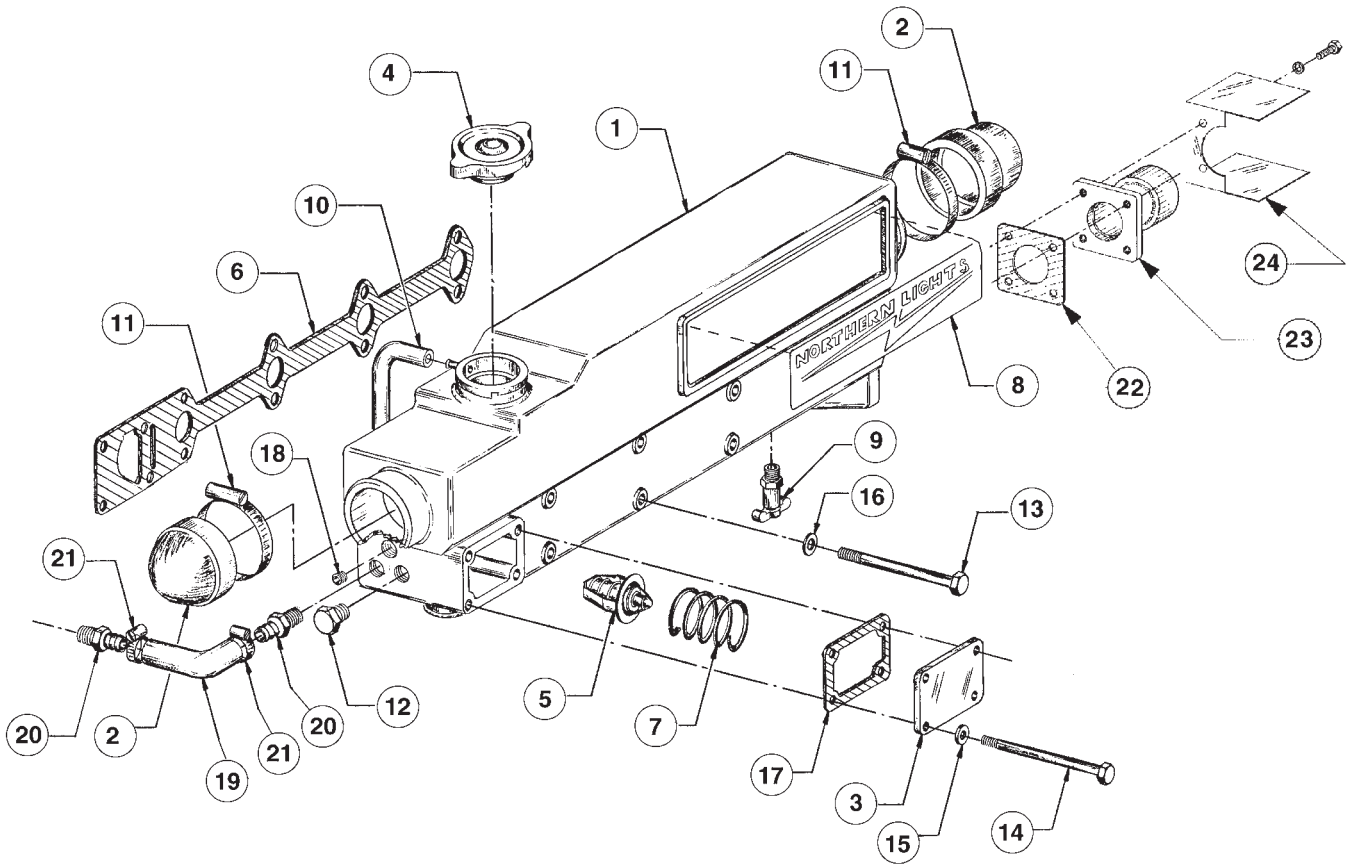
## Heat Exchanger &amp; Exhaust Manifold

KEY	PART NUMBER	QTY	DESCRIPTION	SERIAL NUMBER
1	10-38101	1	Exhaust Manifold/Expansion Tank	-
2	20-18101	1	Heat Exchanger Element (formerly #145506480)	-
3	27-32003	1	Wet Exhaust Elbow (bronze)	-
	135616233	1	Wet Exhaust Elbow (cast iron)	-
4	145536370	2	End Cap	-
5	28-13101	1	Cover Plate	-
6	21-12007	1	Filler Cap (7 PSI)	-
7	145206022	1	Thermostat (82° C)	-
8	11-38101	1	Gasket	-
9	314990030	1	Gasket	-
10	00-13101	1	Spring	-
11	00-71001	1	Decal, "Northern Lights"	-
12	18-13107	1	Hose	-
13	18-13108	1	Hose 3/4" ID x 18-1/2"	-
14	18-13109	1	Hose 5/16" ID x 25"	-
15	21-13102	1	Union 3/4 Hose Barb x 3/4 Hose Barb	-
16	198436140	1	Plug, Socket Head 1/2 NPT	-
17	145986150	1	Connector, Male 1/2 BSPT x 3/4 Hose Barb	-
18	19-00048	2	Hose Clamp #48	-
19	19-00040	2	Hose Clamp #40	-
20	19-00012	3	Hose Clamp #12	-
21	21-31003	**	Hex Head Plug 3/8 NPT	-
22	12-00701	8	Capscrew, Hex Head M8 x 1.25 x 110 mm (M-844L)	-
23	12-01138	12	Capscrew, Hex Head M6 x 1.0 x 110 mm (M-844)	-
	12-01138	4	Capscrew, Hex Head M6 x 1.0 x 110 mm (M-844L)	-
24	12-00712	3	Capscrew, Hex Head M8 x 1.25 x 25 mm	-
25	15-00008	12	Flat Washer M6 (M-844)	-
	15-00008	4	Flat Washer M6 (M-844L)	-
26	15-00701	4	Flat Washer M8 (M-844)	-
	15-00701	12	Flat Washer M8 (M-844L)	-
27	11-13101	1	Gasket	-
28	19-00024	2	Hose Clamp #24	-
29	13-00710	1	Stud M8 x 1.25 x 20 x 25 mm (35 mm OAL)	-
30	14-00711	1	Hex Nut M8 x 1.25	-
31	21-10002	1	Drain Cock 1/4 NPT	-
32	22-42014	1	Switch, High Exhaust Temperature	up to xxx-31937C
	22-42070	1	Switch, High Exhaust Temperature	from xxxx-31938C
33	22-40482	1	Harness, Exhaust Temperature Switch	from xxx-31938C

\*\*As required.

# Expansion Tank & Exhaust Manifold: M844 & M844L

Keel Cooled Applications



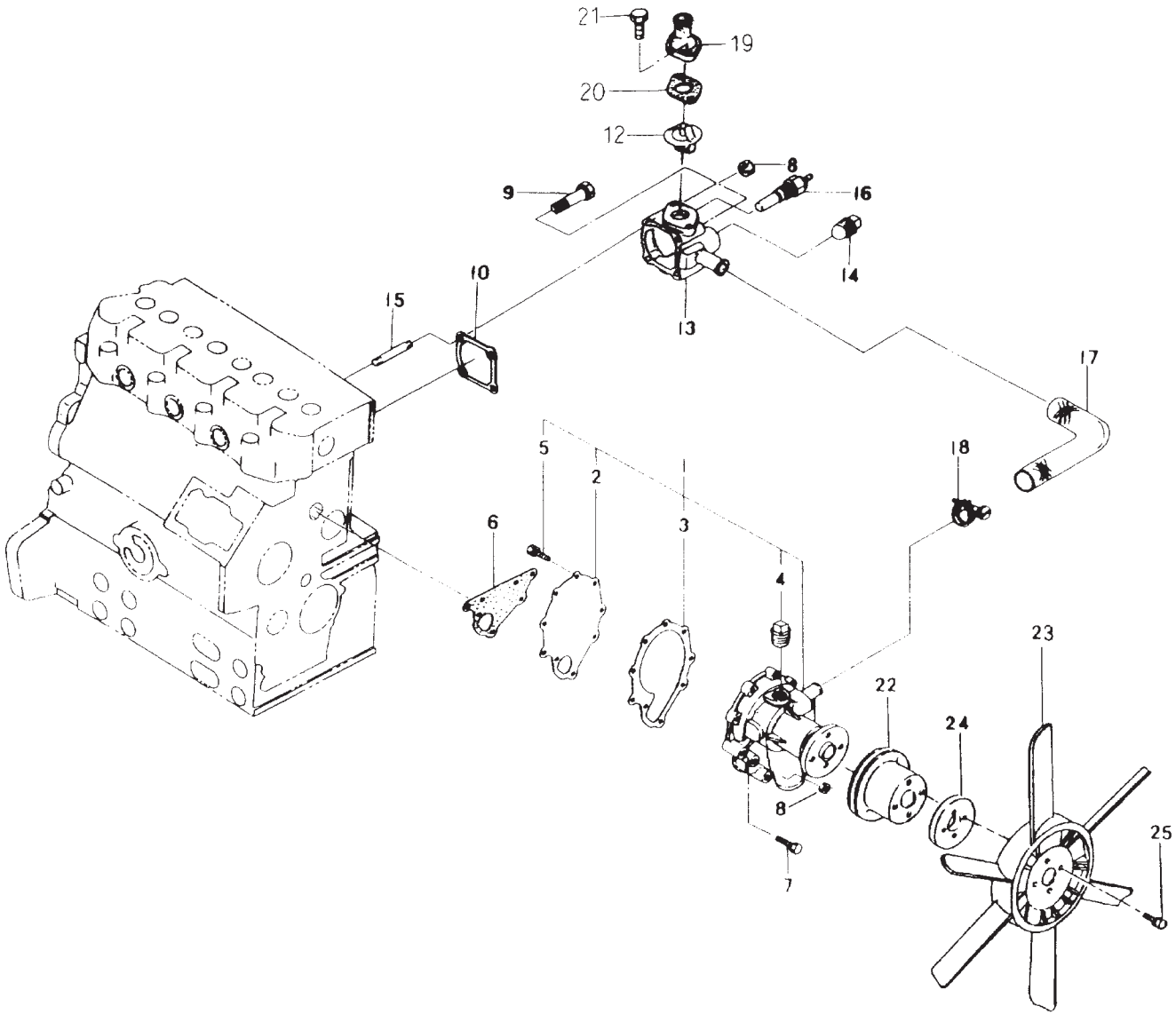
A-6420, A-6510 / D-2460

## Expansion Tank &amp; Exhaust Manifold: M844 &amp; M844L

## Keel Cooled Applications

KEY	PART NUMBER	QTY	DESCRIPTION	SERIAL NUMBER
1	10-38101	1	Exhaust Manifold/Expansion Tank	-
2	20-12019	2	End Cap	-
3	28-13101	1	Cover Plate	-
4	21-12007	1	Filler Cap (7 PSI)	-
5	145206022	1	Thermostat (82° C)	-
6	11-38101	1	Gasket	-
7	00-13101	1	Spring	-
8	00-71001	1	Decal, "Northern Lights"	-
9	21-10002	1	Drain Cock 1/4 NPT	-
10	18-13109	1	Hose, Overflow 5/16" ID x 25"	-
11	19-02044	2	Hose Clamp #44	-
12	21-31003	1	Plug, Hex Head 3/8 NPT	-
13	12-00701	8	Capscrew, Hex Head M8 x 1.25 x 110 mm (M-844L & M-20CL)	-
14	12-01138	12	Capscrew, Hex Head M6 x 1.0 x 110 mm (M-844)	-
	12-01138	4	Capscrew, Hex Head M6 x 1.0 x 110 mm (M-844L & M-20CL)	-
15	15-00008	12	Flat Washer M6 (M-844)	-
	15-00008	4	Flat Washer M6 (M-844L & M-20CL)	-
16	15-00701	8	Flat Washer M8	-
17	11-13101	1	Gasket	-
18	21-51900	1	Plug, Socket Head 1/8 NPT	-
19	145536050	1	Hose	-
20	21-12205	2	Male Connector 3/8 NPT x 1/2 HB	-
21	19-00006	2	Hose Clamp #6	-
22	11-31902	1	Gasket	-
23	27-31921	1	Adapter, Dry Exhaust Straight 1-1/2 NPT	-
24	00-12000	1	Heat Shield	-

Coolant Pump – Industrial Applications: NL844 & 844L



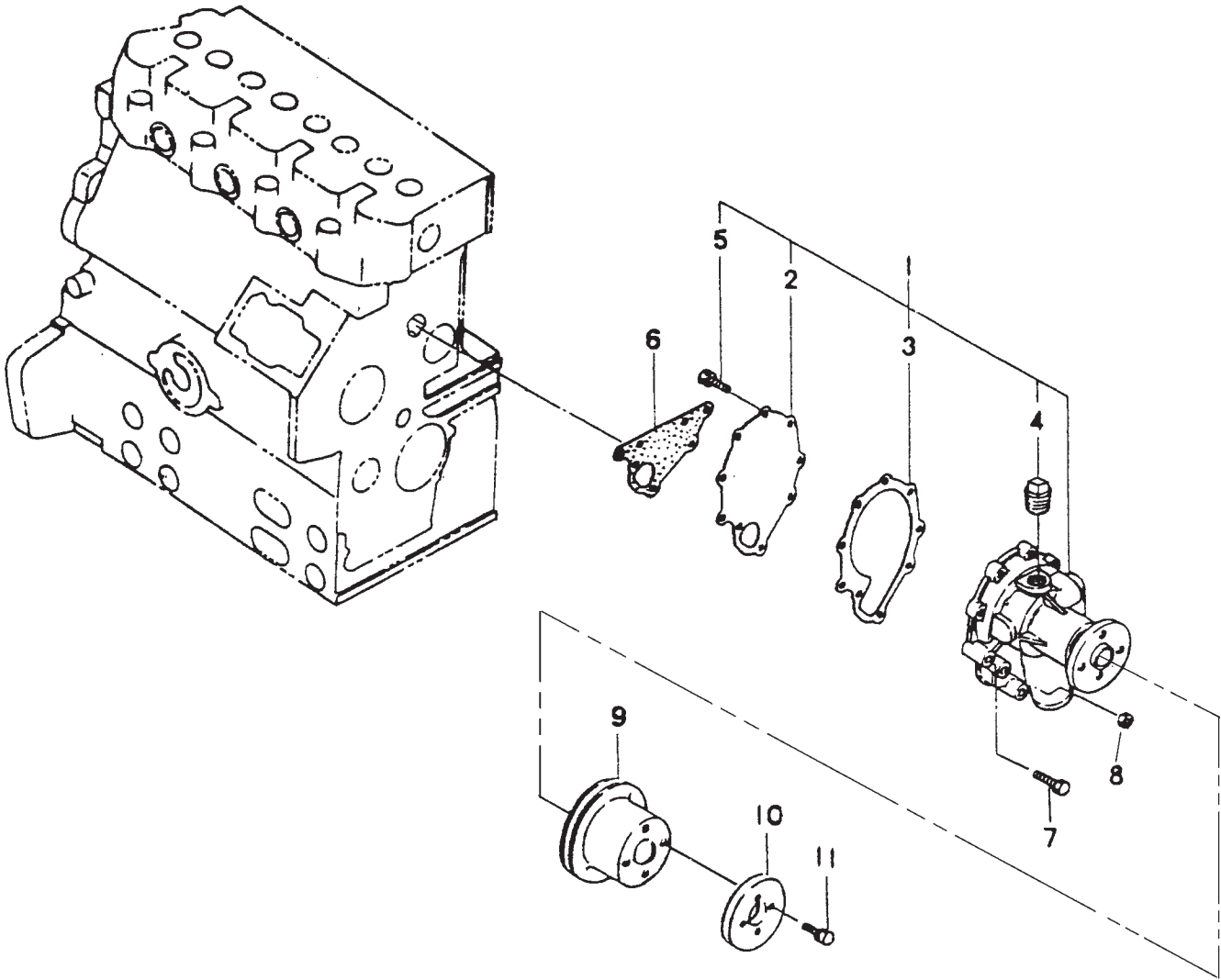
## Coolant Pump – Industrial Applications: NL844 &amp; 844L

KEY	PART NUMBER	QTY	DESCRIPTION	SERIAL NUMBER
1	145016891	1	Coolant Pump Assembly (includes keys #2 - 5, formerly #145016890 and 145016891)	-
2	145146320	1	Backing Plate	-
3	145996680	1	Gasket (formerly #145996460)	-
4	064500030	**	Plug	-
5	015300614	5	Screw	-
6	145996370	1	Gasket	-
7	011300635	4	Bolt	-
8	023100006	3	Nut	-
9	011300645	2	Bolt	-
10	145996360	1	Gasket	-
12	145206182	1	Thermostat 180°F/ 82°C (replaces #145206180 & 145206181)	-
13	145216390	1	Thermostat Housing	-
14	064500030	1	Plug	-
15	012100645	2	Stud M6 x 1.0 x 45 mm	-
16	385720230	1	Temperature Switch (212° F)	-
17	145536051	1	Hose	-
18	19-00006	2	Hose Clamp #6	-
19	145226330	1	Thermostat Cover	-
20	145996051	1	Gasket	-
21	011500820	2	Bolt	-
22	145336620	1	Pulley	-
23	145306550	1	Cooling Fan	-
24	145386390	1	Plate	-
25	011310620	4	Bolt	-

\*\*As required.

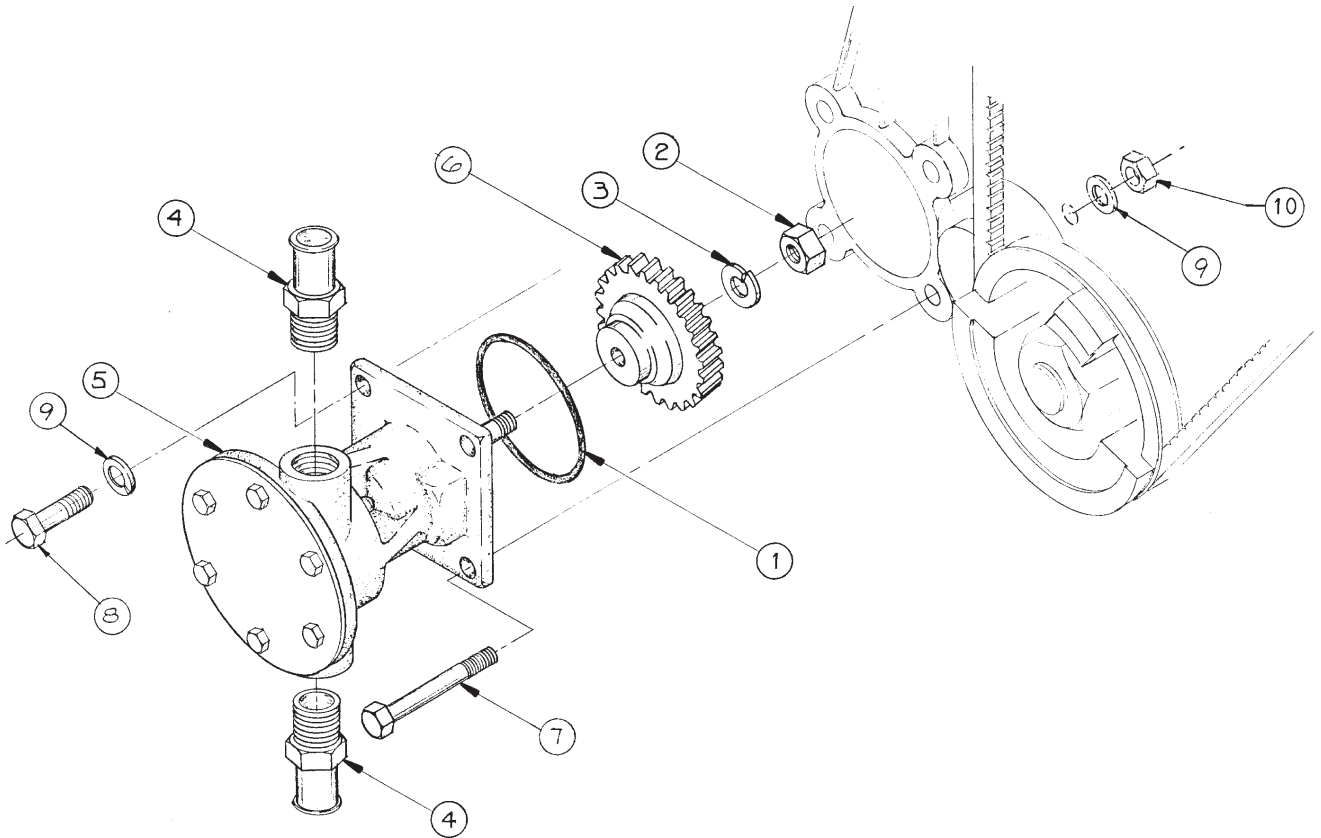


**Coolant Pump – All Marine Applications**



KEY	PART NUMBER	QTY	DESCRIPTION	SERIAL NUMBER
1	145017350	1	Coolant Pump Assembly (includes keys #2 - 5)	-
2	145146320	1	Backing Plate	-
3	145996680	1	Gasket (formerly #145996460)	-
4	064500030	**	Plug	-
5	015300614	5	Screw	-
6	145996370	1	Gasket	-
7	011300635	4	Bolt	-
8	023100006	1	Nut	-
9	145336620	1	Pulley	-
10	145386390	1	Spacer	-
11	011310616	4	Bolt (844)	-
	011310620	4	Bolt (844L)	-
			**As required.	

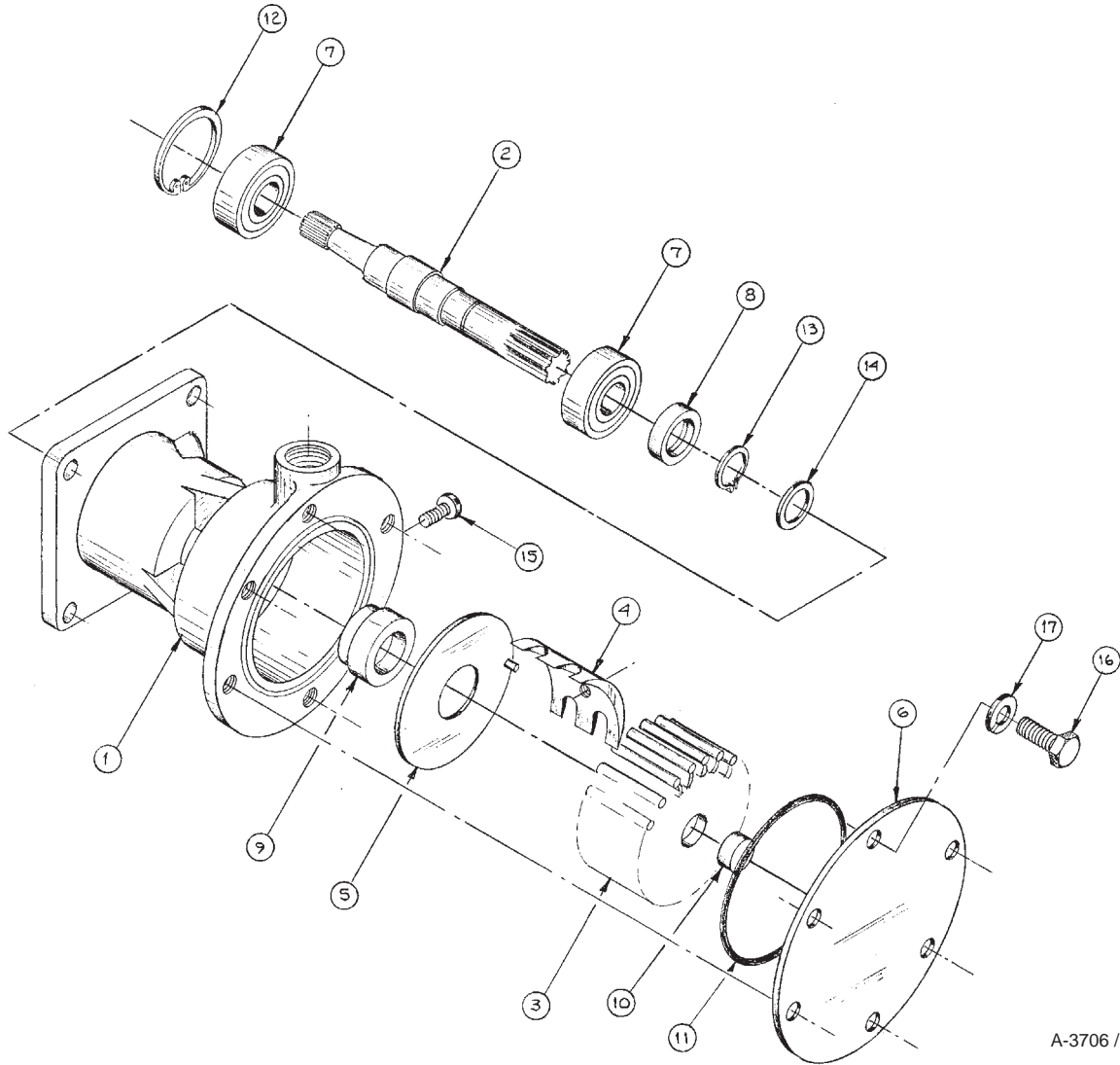
**Raw Water Pump & Mounting – All Marine Applications**



A-4779 / B-3842

KEY	PART NUMBER	QTY	DESCRIPTION	SERIAL NUMBER
1	16-13101	1	O-ring	-
2	14-00811	1	Nut M10 x 1.5	-
3	15-00802	1	Lock Washer M10	-
4	21-00129	2	Fitting 1/2 NPT x 3/4 HB	-
5	25-12057	1	Raw Water Pump (see parts detail)	-
6	340460141	1	Drive Gear	-
7	12-00718	3	Capscrew, Hex Head M8 x 1.25 x 65 mm	-
8	12-00717	1	Capscrew, Hex Head M8 x 1.25 x 60 mm	-
9	15-00702	4	Lock Washer, Helical M8	-
10	14-00711	3	Hex Nut M8 x 1.25	-

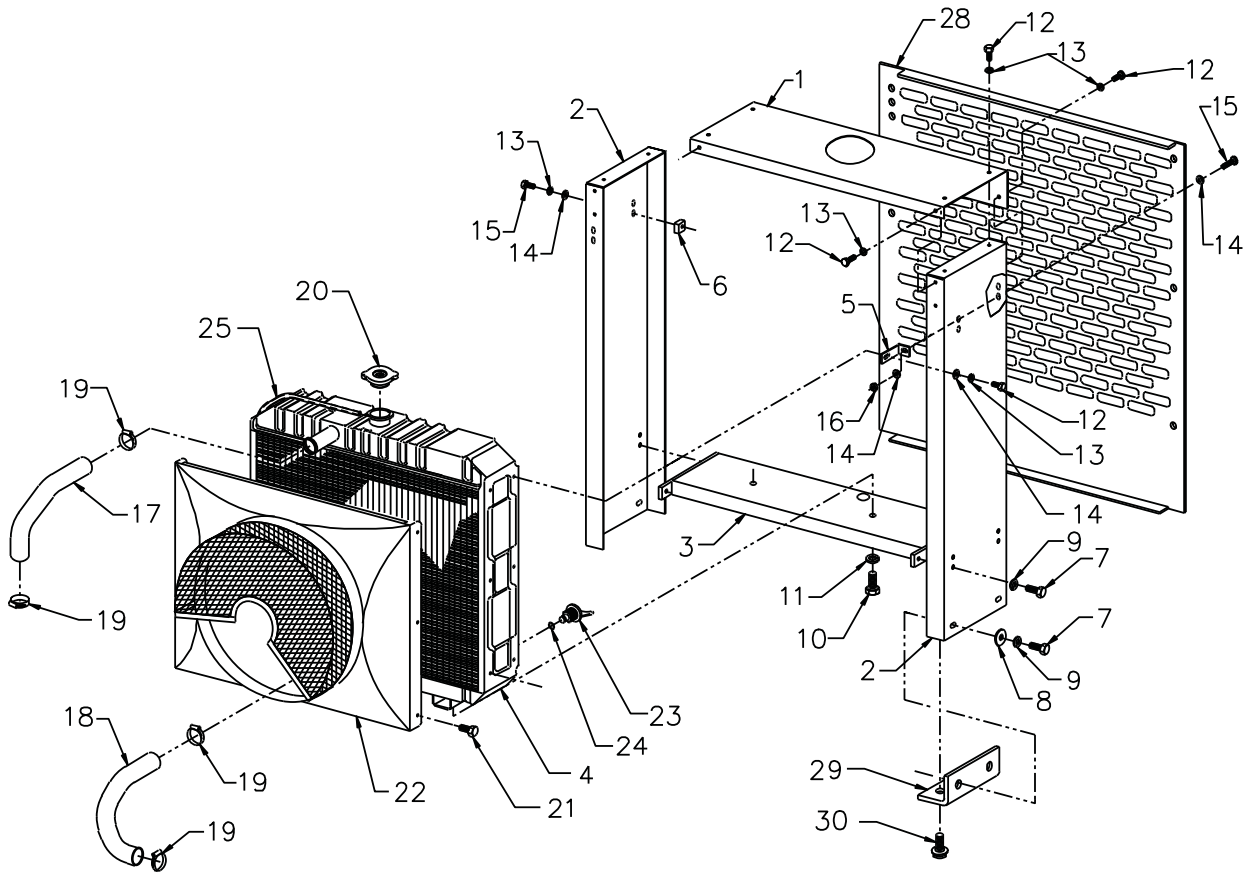
**Raw Water Pump Assembly**



A-3706 / C-2204

KEY	PART NUMBER	QTY	DESCRIPTION	SERIAL NUMBER
••	25-12057	1	Raw Water Pump Assembly (includes keys #1 - 17)	-
•	25-12004	1	Repair Kit (includes keys #3 - 9 & 11)	-
1	25-12058	1	Housing	-
2	25-12059	1	Shaft	-
3	25-12060	1	Impeller	-
4	25-12061	1	Cam	-
5	25-12062	1	Wear Plate	-
6	25-12063	1	End Cover	-
7	25-12064	1	Bearing	-
8	25-12065	1	Lip Seal	-
9	25-12066	1	Mechanical Seal	-
10	25-12017	1	Spline Seal	-
11	25-12067	1	O-ring	-
12	25-12068	1	Retaining Ring	-
13	25-12069	1	Retaining Ring	-
14	25-12070	1	Washer	-
15	25-12071	1	Pan Head Screw #10-32 x 3/8"	-
16	25-12072	6	Hex Head Screw #10-32 x 3/8"	-
17	25-12073	1	Lock Washer #10	-

**Radiator & Guard – Industrial Applications: NL844 & 844L**



A-6306 / D-2457

KEY	PART NUMBER	QTY	DESCRIPTION	SERIAL NUMBER
1	39-18103	1	Top Panel	-
2	39-18102	2	Side Panel	-
3	39-18104	1	Radiator Support	-
4	145506320	1	Radiator Assembly (includes keys #20 - 26)	-
5	23-18101	1	Bracket, Upper Radiator Support	-
6	21-18101	2	Spacer, Radiator Support	-
7	12-00711	8	Capscrew, Hex Head M8 x 1.25 x 20 mm	-
8	15-00701	8	Flat Washer M8	-
9	15-00702	8	Lock Washer M8	-
10	12-00805	2	Capscrew, Hex Head M10 x 1.5 x 20 mm	-
11	15-00802	2	Lock Washer M10	-
12	12-00097	9	Capscrew, Hex Head M6 x 1.0 x 12 mm	-
13	15-01132	10	Lockwasher M6	-
14	15-00008	3	Flat Washer M6	-
15	12-01131	2	Capscrew, Hex Head M6 x 1.0 x 20 mm	-
16	14-04803	1	Hex Nut M6 x 1.0	-
17	145536870	1	Hose, Radiator Inlet	-
18	145536640	1	Hose, Radiator Outlet	-
19	067100046	4	Hose Clamp	-
20	310110010	1	Radiator Cap	-
21	011150610	6	Bolt	-
22	145546470	1	Shroud with Fan Guard	-
23	408130010	1	Drain Cock	-
24	052100070	1	O-Ring	-
25	145546510	1	Hose	-
26	00-70021	1	Decal "Northern Lights" (not shown)	-
27	31-18101	1	Air Duct Adapter (optional - not shown)	-

General Arrangement: M - NL844 & M16C

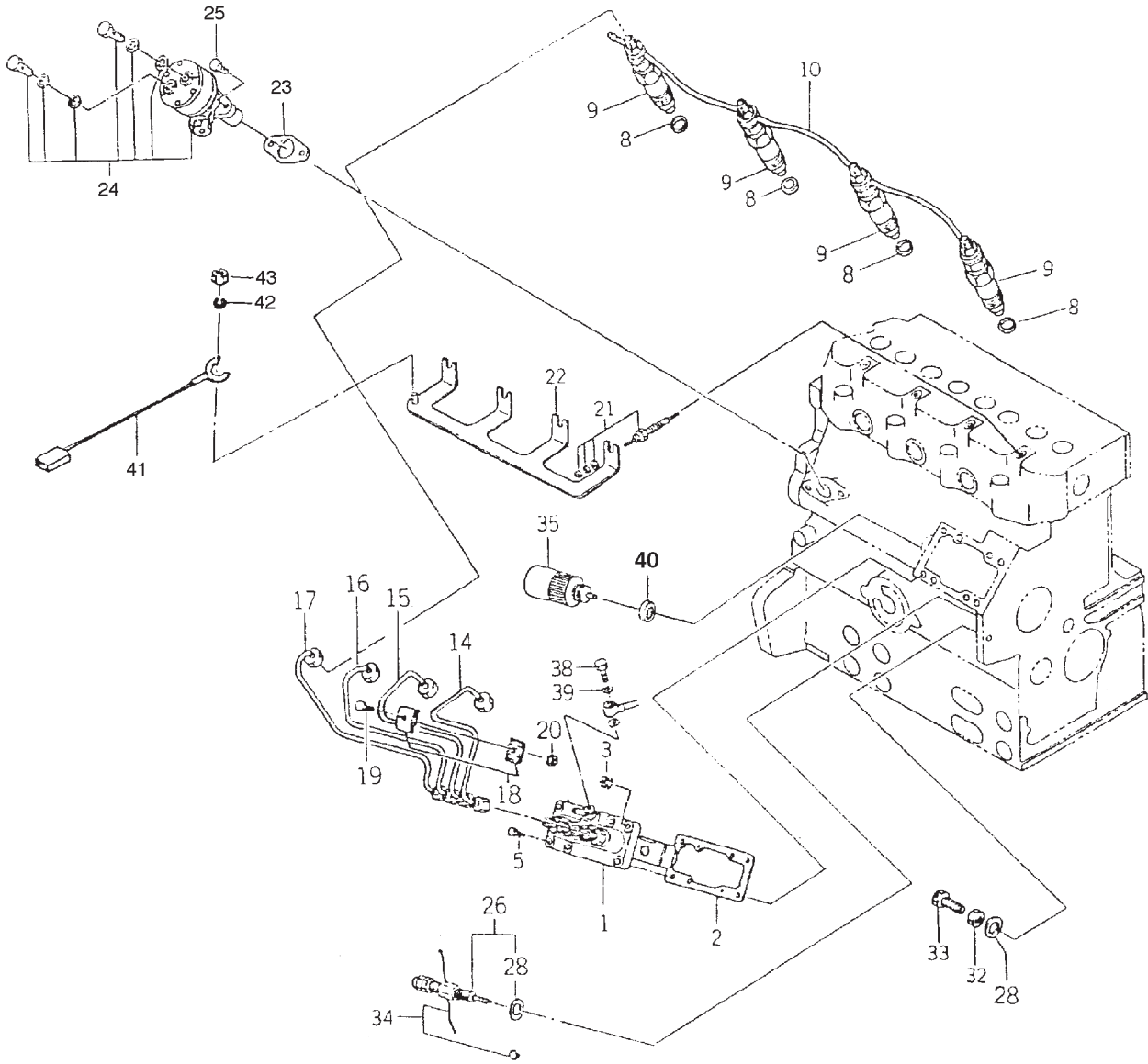


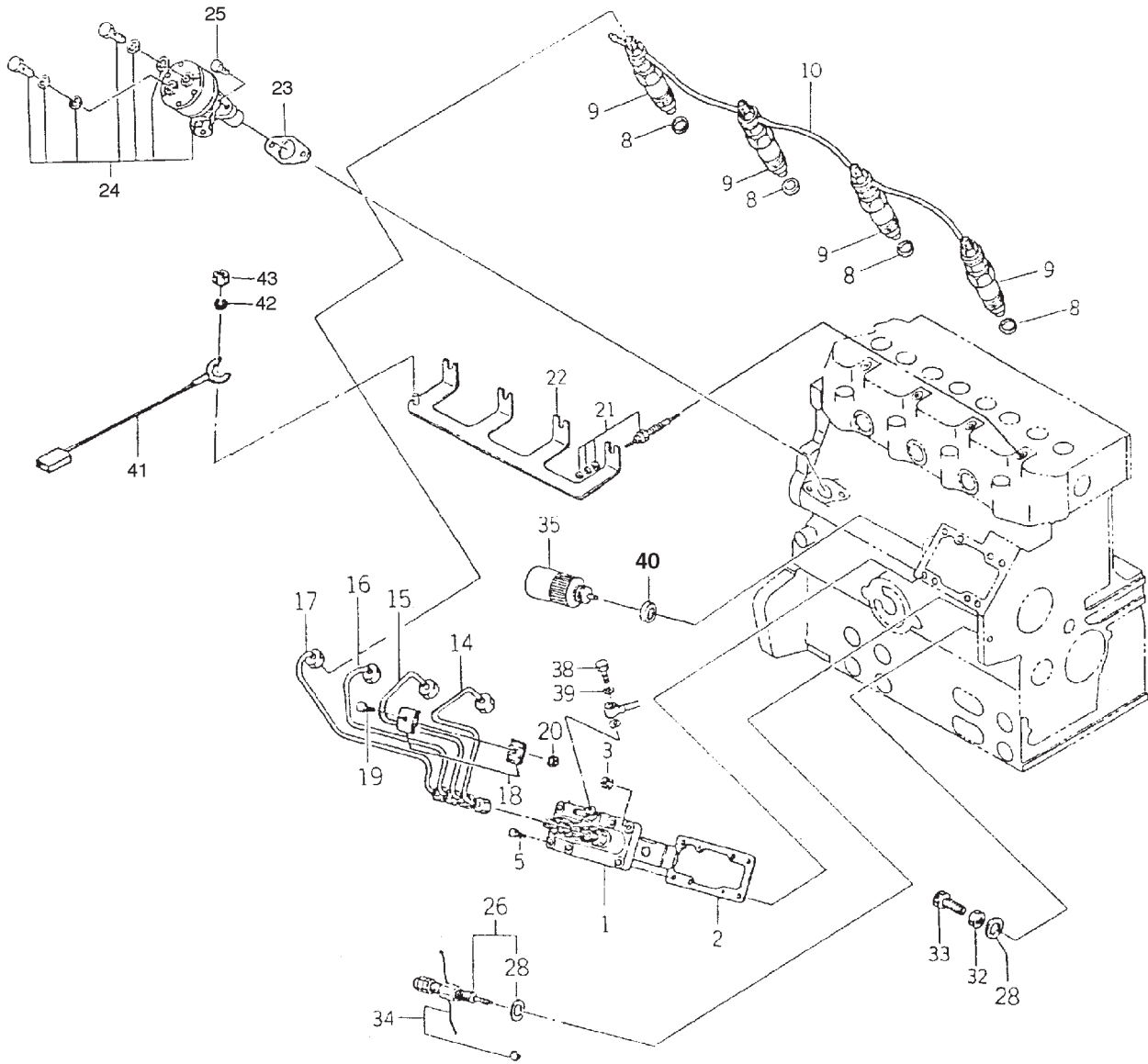
Fig. 4-0

## General Arrangement: M - NL844 &amp; M16C

KEY	PART NUMBER	QTY	DESCRIPTION	SERIAL NUMBER
1	131017600	1	Injection Pump Assembly (see parts detail page)	-
2	131426320	1	Shim	-
3	023100008	3	Nut	-
5	010800820	3	Bolt	-
8	131426200	4	Gasket	-
9	131406360	4	Fuel Injector (see parts detail page)	-
10	131606620	1	Return Line	-
14	131507450	1	Injection Line #1	-
15	131507460	1	Injection Line #2	-
16	131507470	1	Injection Line #3	-
17	131507480	1	Injection Line #4	-
18	199106020	6	Clamp	-
19	010100625	3	Bolt	-
20	023100006	3	Nut	-
21	185366060	4	Glow Plug - 12 Volt*	-
	185366100	4	Glow Plug - 24 Volt*	-
22	185376150	1	Connector	-
23	130996070	1	Gasket	-
24	130506140	1	Feed Pump Assembly (see parts detail page)	-
25	011300616	2	Bolt	-
26	131046160	1	Smoke Set	-
28	025100010	2	Seal Washer	-
32	023109002	1	Nut	-
33	010109271	1	Bolt	-
34	198236030	1	Lock Wire	-
35	185206082	1	Stop Solenoid - 12 Volt (Standard Ground)*	-
	185206190	1	Stop Solenoid - 12 Volt (Isolated Ground)*	-
	185206200	1	Stop Solenoid - 24 Volt (Isolated Ground)*	-
38	131136420	1	Screw	-
39	025100008	2	Seal Washer	-
40	025100016	1	Seal Washer	-
41	185606170	1	Wire Harness	-
42	027100004	1	Spring Washer	-
43	020100004	1	Nut	-

\*NOTE: See Electrical System

General Arrangement: M - NL844L & M20CL



## General Arrangement: M - NL844L &amp; M20CL

KEY	PART NUMBER	QTY	DESCRIPTION	SERIAL NUMBER
1	131017600	1	Injection Pump Assembly (see parts detail page)	-
2	131426320	1	Shim	-
3	023100008	3	Nut	-
5	010800820	3	Bolt	-
8	131426200	4	Gasket	-
9	131406360	4	Fuel Injector (see parts detail page)	-
10	131606560	1	Return Line	-
14	131507520	1	Injection Line #1	-
15	131507530	1	Injection Line #2	-
16	131507540	1	Injection Line #3	-
17	131507550	1	Injection Line #4	-
18	199106020	6	Clamp	-
19	010100625	3	Bolt	-
20	023100006	3	Nut	-
21	185366060	4	Glow Plug - 12 Volt*	-
	185366100	4	Glow Plug - 24 Volt*	-
22	185376150	1	Connector	-
23	130996070	1	Gasket	-
24	130506140	1	Feed Pump Assembly (see parts detail page)	-
25	011300616	2	Bolt	-
26	131046160	1	Smoke Set	-
28	025100010	2	Seal Washer	-
32	023109002	1	Nut	-
33	010109271	1	Bolt	-
34	198236030	1	Lock Wire	-
35	185206082	1	Stop Solenoid - 12 Volt (Standard Ground)*	-
	185206190	1	Stop Solenoid - 12 Volt (Isolated Ground)*	-
	185206200	1	Stop Solenoid - 24 Volt (Isolated Ground)*	-
38	198487450	1	Screw	-
39	025100008	2	Seal Washer	-
40	025100016	1	Seal Washer	-
41	185606170	1	Wire Harness	-
42	027100004	1	Spring Washer	-
43	020100004	1	Nut	-

\*NOTE: See Electrical System.



Governor & Timing Gear Case

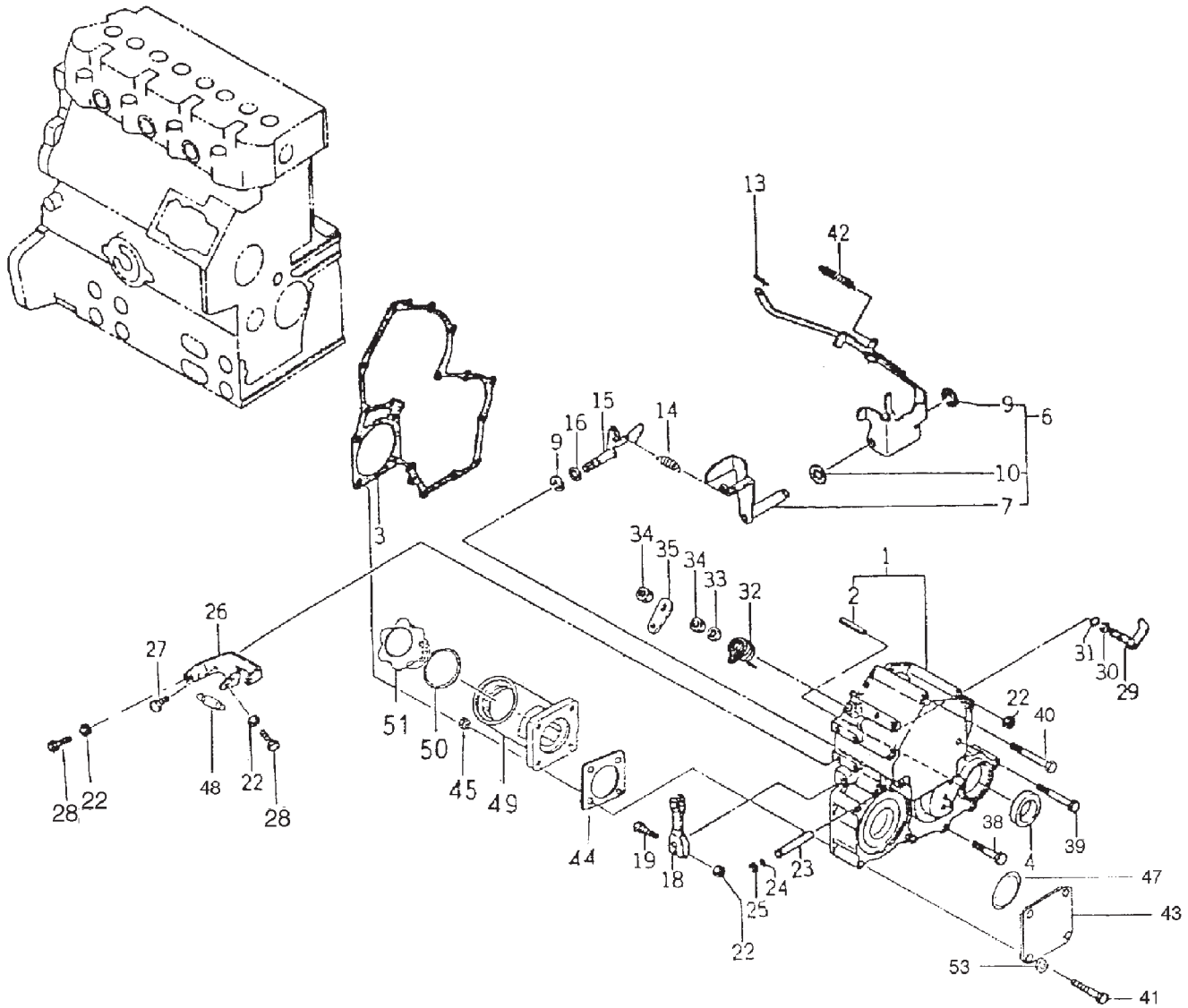
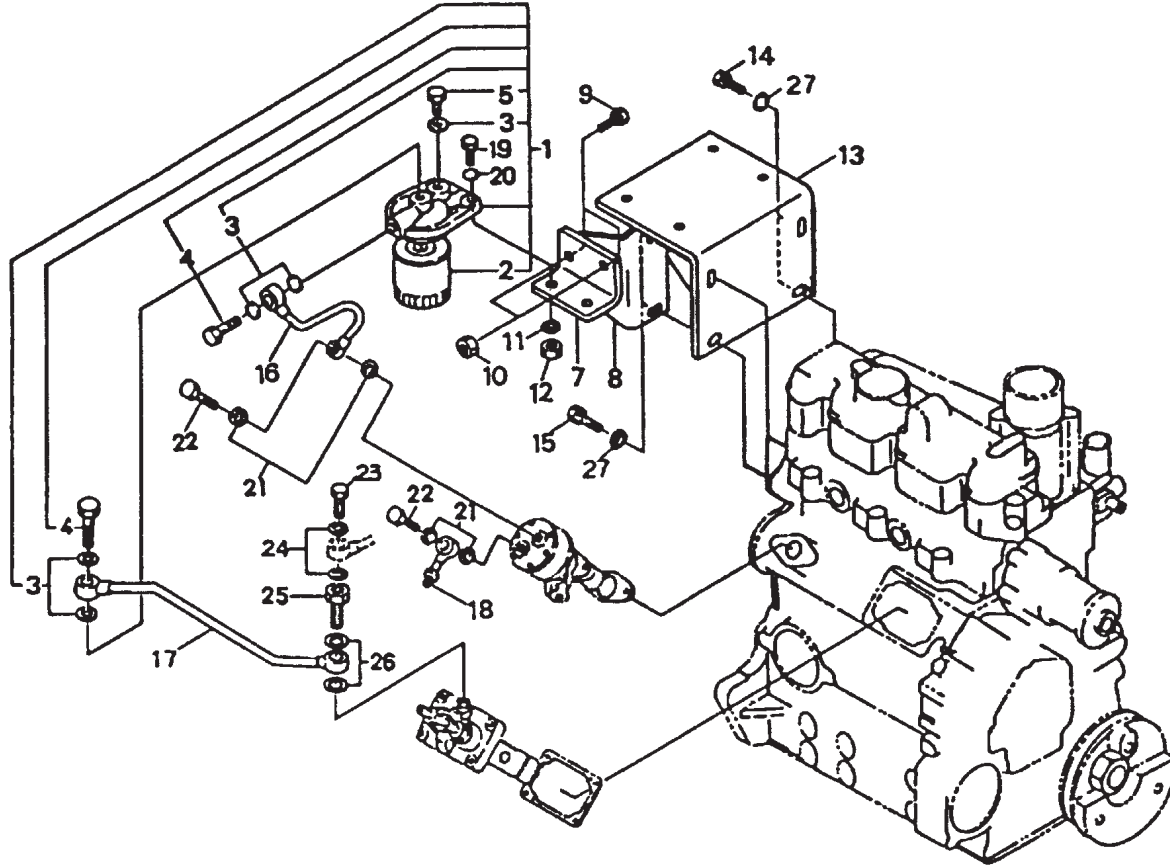


Fig. 4-4

## Governor &amp; Timing Gear Case

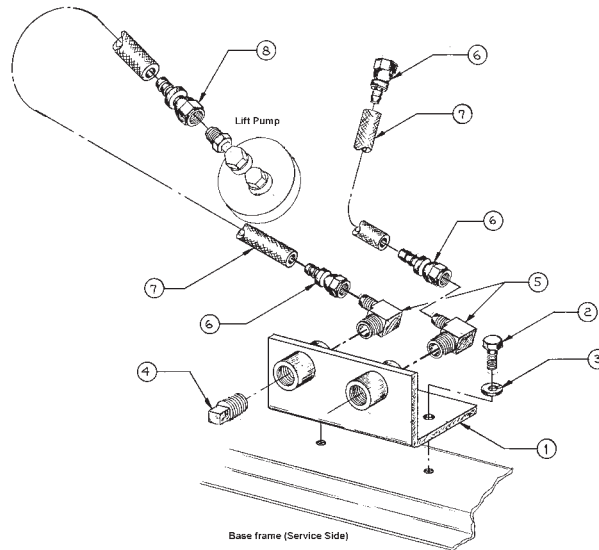
KEY	PART NUMBER	QTY	DESCRIPTION	SERIAL NUMBER
1	165106400	1	Timing Gear Case Complete - Marine (includes key #2)	-
	165106380	1	Timing Gear Case Complete - Industrial (includes key #2)	-
2	030300414	1	Spring Pin	-
3	165996351	1	Gasket	-
4	198636160	1	Oil Seal	-
	00-02003	**	Wear Sleeve; Repair Type	-
6	125046170	1	Governor Lever Assembly (includes keys #7 - 10, Formerly #125046280)	-
7	125406080	1	Tension Lever	-
9	036800008	2	Snap Ring	-
10	026200010	1	Washer	-
13	031100004	1	Snap Pin	-
14	198217040	1	Spring	-
15	125156250	1	Arm	-
16	052100070	1	O-Ring	-
18	125416020	1	Governor Lever	-
19	010110630	1	Bolt	-
22	023100006	4	Nut	-
23	125116141	1	Shaft (formerly #125116140 single o-ring)	-
24	052100030	1	O-ring	-
25	036800005	1	Snap Ring	-
26	125976120	1	Bracket	-
27	011300616	2	Bolt	-
28	010109264	1	Bolt	-
29	125156180	1	Arm	-
30	036800006	1	Snap Ring	-
31	052100050	1	O-Ring	-
32	198216760	1	Spring	-
33	026200008	1	Washer	-
34	020300008	2	Nut	-
35	125176180	1	Stop Lever (formerly #125176080)	-
38	011300645	6	Bolt	-
39	011300660	5	Bolt	-
40	011300680	2	Bolt	-
41	12-00717	1	Capscrew, Hex Head M8 x 1.25 x 60 mm	-
	12-00718	3	Capscrew, Hex Head M8 x 1.25 x 65 mm	-
42	198216731	1	Start Spring	-
43	165206320	1	Cover - Keel Cooled Marine only	-
	165206150	2	Cover - Industrial only	-
44	165996110	1	Gasket	-
45	14-00711	3	Hex Nut M8 x 1.25 - Marine	-
	14-00711	4	Hex Nut M8 x 1.25 - Industrial	-
46	398210070	1	Spring (not shown)	-
47	052300600	1	O-ring	-
49	110766200	1	Oil Fill Elbow	-
50	052300400	1	O-ring	-
51	198436010	1	Cap	-
52	190197400	1	Caution Label (not shown)	-
53	15-00702	3	Lock Washer M8	-
			**As required.	

**Fuel Filter & Piping**



KEY	PART NUMBER	QTY	DESCRIPTION	SERIAL NUMBER
1	130306190	1	Fuel Filter Assembly (includes keys #1 - 6 & 19 - #20)	-
2	24-52020	1	Fuel Filter Cartridge	-
3	130326051	5	Gasket	-
4	130436011	2	Banjo Bolt	-
5	130396030	1	Plug	-
7	130976470	1	Bracket - Marine	-
	130976450	1	Bracket - Industrial	-
8	130976460	1	Bracket - Marine	-
	130976440	1	Bracket - Industrial	-
9	011500820	2	Bolt	-
10	023100008	2	Nut	-
11	027100010	2	Spring Washer	-
12	020900010	2	Nut	-
13	135976420	1	Bracket - Industrial	-
14	12-00751	1	Capscrew, Hex Head M8 x 1.25 x 16 mm - Industrial	-
15	12-00751	2	Capscrew, Hex Head M8 x 1.25 x 16 mm - Marine	-
	12-00711	3	Capscrew, Hex Head M8 x 1.25 x 20 mm - Industrial	-
16	130556760	1	Pipe	-
17	130556750	1	Pipe	-
18	130556680	1	Fuel Fitting	-
19	011301030	2	Bolt	-
20	026200010	2	Washer	-
21	130516069	4	Gasket	-
22	130516092	2	Banjo Bolt	-
23	198487450	1	Banjo Bolt	-
24	025100008	2	Gasket	-
25	131246170	1	Banjo Bolt	-
26	131296255	2	Gasket	-
27	026100008	4	Washer	-

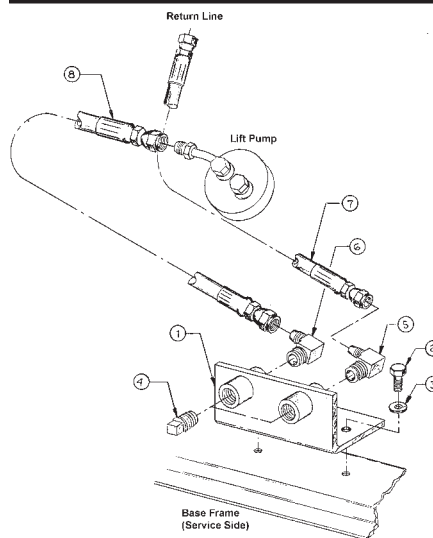
**Fuel Line Connection**



A-6426 / C-2920

KEY	PART NUMBER	QTY	DESCRIPTION	SERIAL NUMBER
1	10-51099	1	Manifold	-
2	12-00031	2	Capscrew, Hex Head M6 x 1.0 x 20 mm	-
3	15-01132	2	Lock Washer M6	-
4	21-00046	2	Plug, 1/4 NPT (for shipping)	-
5	21-71044	2	Male Elbow 90°, brass 1/4 NPT x 1/4-45T	-
6	21-71045	3	Female Swivel, brass 1/4 HB x 1/4-45T	-
7	18-52007	2	Hose 1/4" ID x 26"	-
8	21-71048	1	Female Swivel, brass 1/4 HB x 5/16-45T	-

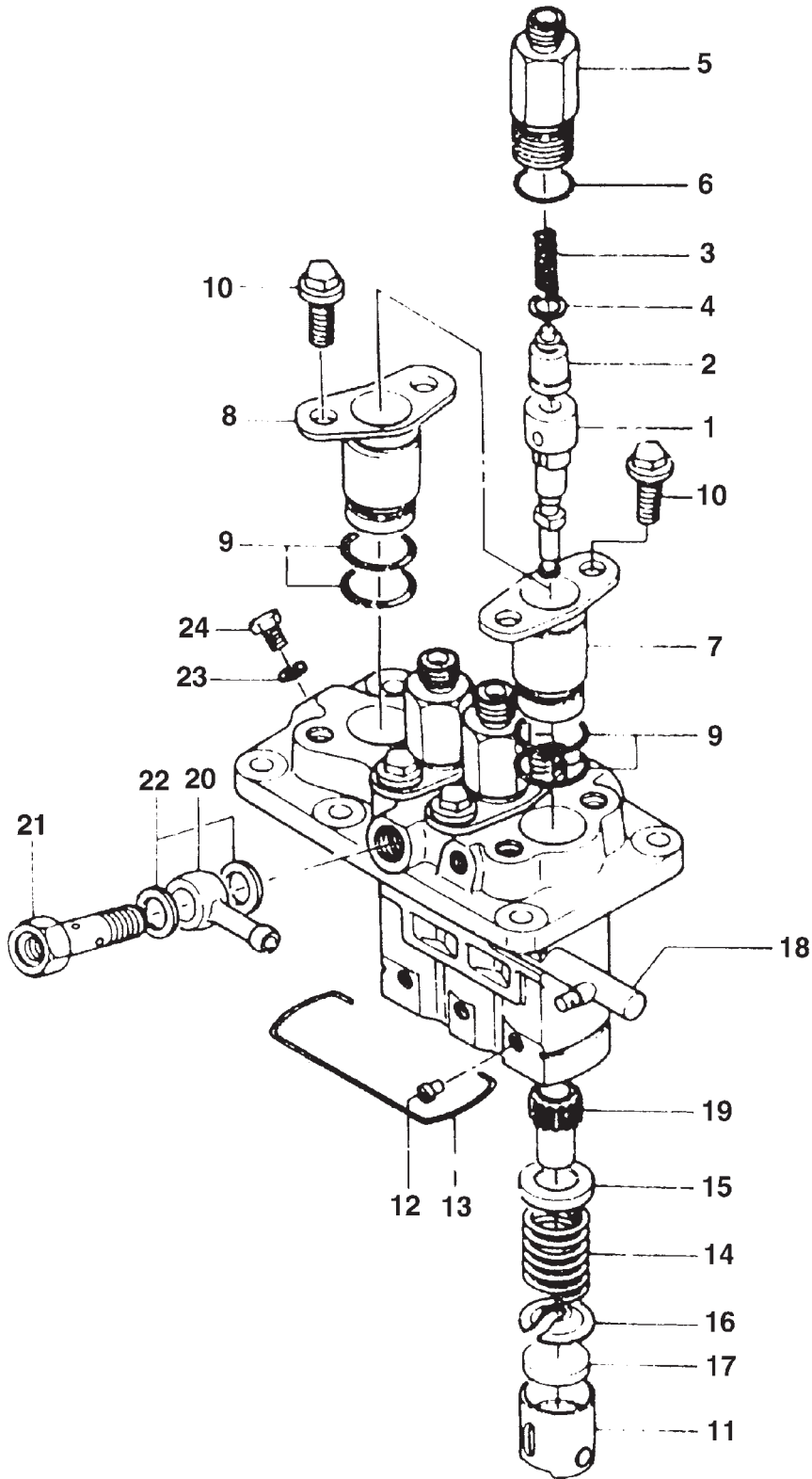
**U.S. Coast Guard Approved Fuel Lines**



A-6684  
A-6495 / C-2936

KEY	PART NUMBER	QTY	DESCRIPTION	SERIAL NUMBER
1	10-51099	1	Manifold	-
2	12-01131	2	Capscrew, Hex Head M6 x 1.0 x 20 mm	-
3	15-01132	2	Lock Washer M6	-
4	21-31624	2	Plug, Hex Head Brass 1/4 NPT (for shipping)	-
5	21-71049	1	Male Elbow 90°, steel 1/4 NPT x 1/4-37T	-
6	21-74411	1	Male Elbow 90°, steel 1/4 NPT x 5/16-37T	-
7	18-52113	1	Hose Assembly 1/4" ID x 26-1/2"	-
8	18-58401	1	Hose Assembly 1/4" ID x 26" (844L)	-
	18-58101	1	Hose Assembly 1/4" ID x 17" (844)	-

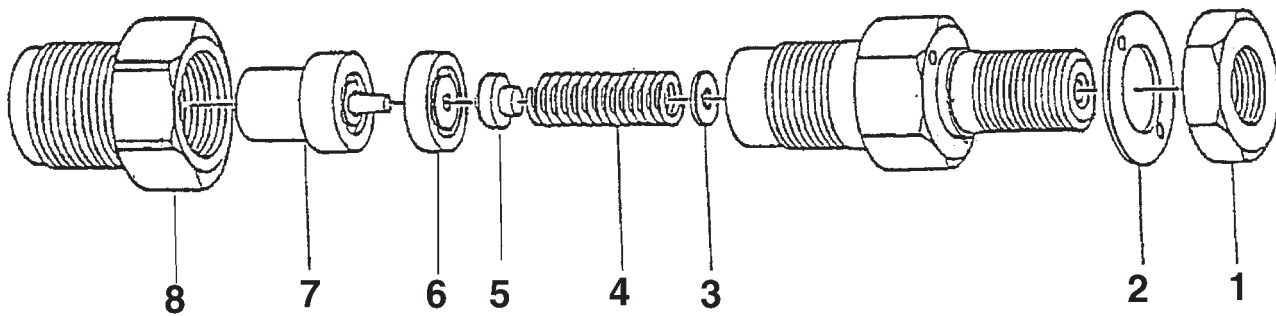
**Fuel Injection Pump**



KEY	PART NUMBER	QTY	DESCRIPTION	SERIAL NUMBER
••	131017600	1	Injection Pump Assembly (includes keys #1 - 24)	-
1	140154-7920	4	Plunger Assembly	-
2	140110-3620	4	Delivery Valve	-

<b>Fuel Injection Pump</b>				
<b>KEY</b>	<b>PART NUMBER</b>	<b>QTY</b>	<b>DESCRIPTION</b>	<b>SERIAL NUMBER</b>
3	140112-2900	4	Spring, Delivery Valve	-
4	140115-1400	4	Gasket	-
5	140116-7520	4	Holder, Delivery Valve	-
6	016500-1520	4	O-ring	-
7	140131-0521	3	Sleeve Flange	-
8	140131-1021	1	Sleeve Flange	-
9	016550-1920	8	O-ring	-
10	140124-0200	8	Bolt	-
11	140200-1620	4	Tappet	-
12	140212-0300	4	Pin	-
13	140313-1500	1	Snap Ring	-
14	140215-1900	4	Plunger Spring	-
15	140216-0800	4	Spring Seat	-
16	140217-2200	4	Spring Seat	-
17	140217-5000	**	Plate	-
	140217-5100	**	Plate	-
	140217-5200	**	Plate	-
	140217-5300	**	Plate	-
	140217-5400	**	Plate	-
	140217-5500	**	Plate	-
	140217-5600	**	Plate	-
	140217-5700	**	Plate	-
	140217-5800	**	Plate	-
	140217-5900	**	Plate	-
	140217-6000	**	Plate	-
	140217-6100	**	Plate	-
	140217-6200	**	Plate	-
	140217-6300	**	Plate	-
	140217-6400	**	Plate	-
	140217-6500	**	Plate	-
	140217-6600	**	Plate	-
	140217-6700	**	Plate	-
	140217-6800	**	Plate	-
	140217-6900	**	Plate	-
	140217-7000	**	Plate	-
	140217-7100	**	Plate	-
	140217-7200	**	Plate	-
	140217-7300	**	Plate	-
	140217-7400	**	Plate	-
	140217-7500	**	Plate	-
	140217-7600	**	Plate	-
	140217-7700	**	Plate	-
	140217-7800	**	Plate	-
	140217-7900	**	Plate	-
	140217-8000	**	Plate	-
18	140243-5620	1	Control Rack	-
19	140241-2700	4	Control Sleeve	-
20	029711-2050	1	Eye	-
21	140402-1300	1	Eye Bolt	-
22	026512-1540	2	Gasket	-
23	026508-1240	1	Gasket	-
24	140420-1400	1	Bolt	-
			**As required	

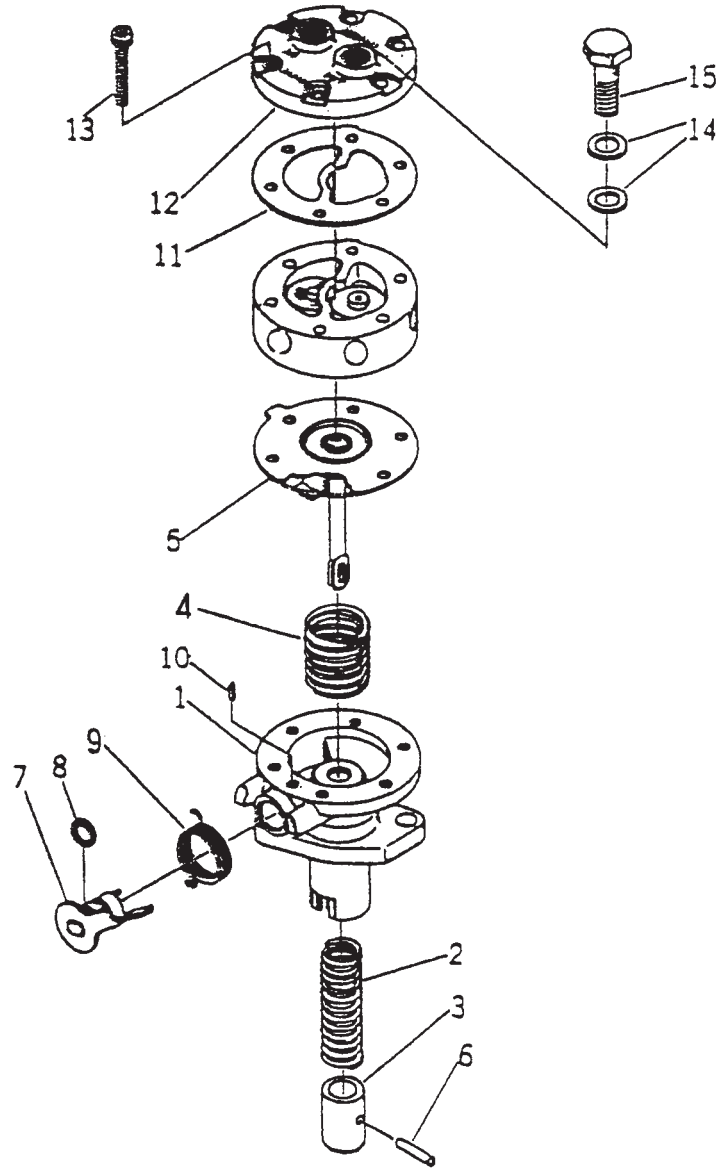
**Fuel Injector**



844inj

KEY	PART NUMBER	QTY	DESCRIPTION	SERIAL NUMBER
••	131406360	1	Injector Assembly (includes keys #1 - 8)	-
1	131446006	1	Nut	-
2	131426230	1	Gasket	-
3	131437360	3	Shim	-
4	131446074	1	Spring	-
5	131446075	1	Spring seat	-
6	131446076	1	Spacer	-
7	131416170	1	Nozzle	-
8	131446077	1	Nut	-

**Fuel Feed Pump**

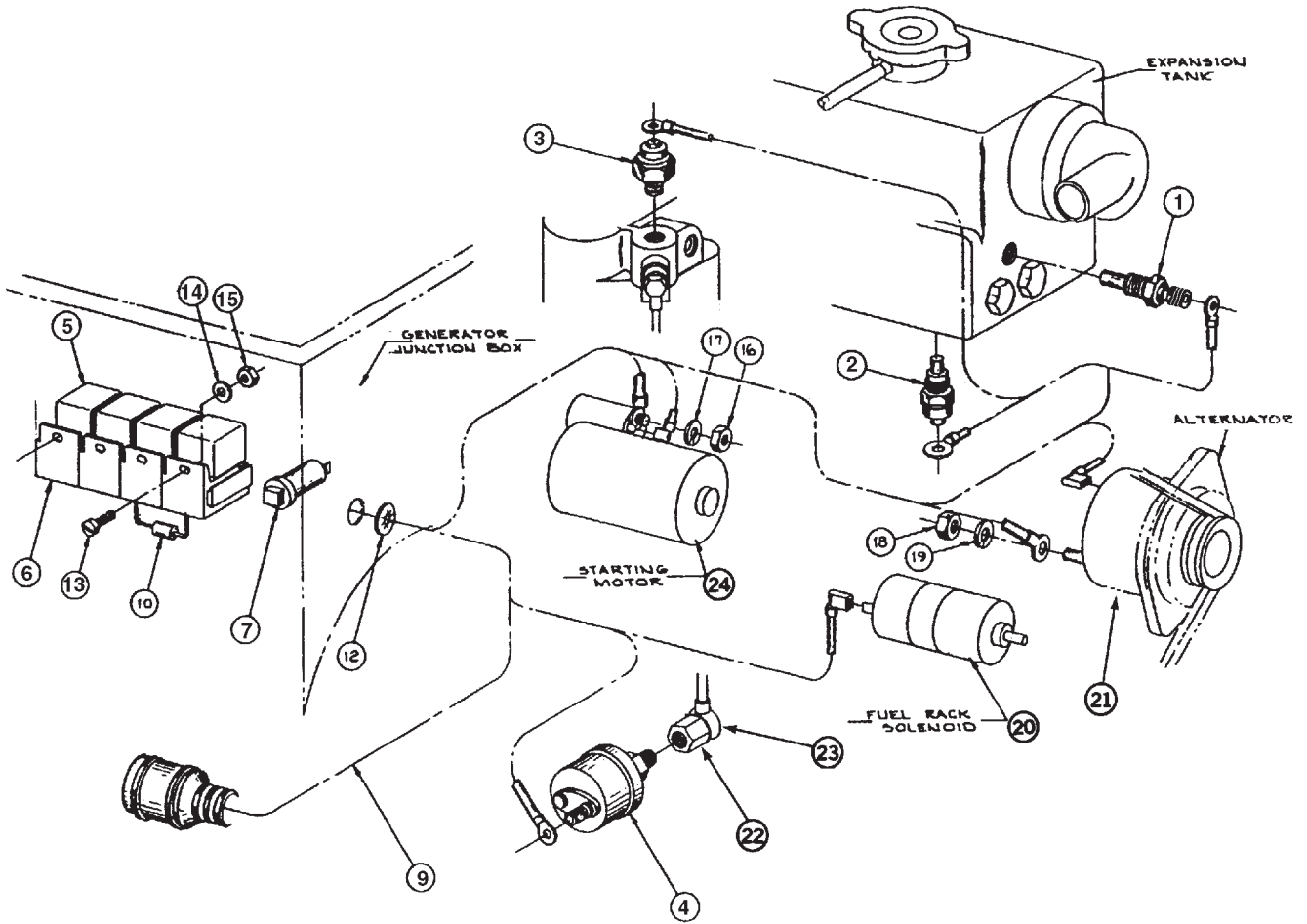


844fuelfeedpump

KEY	PART NUMBER	QTY	DESCRIPTION	SERIAL NUMBER
••	130506140	1	Feed Pump Assembly (includes keys #1 - 15)	-
1	130516080	1	Body	-
2	130516081	1	Spring	-
3	130516082	1	Piston	-
4	130516083	1	Spring	-
5	130516084	1	Diaphragm	-
6	130516085	1	Pin	-
7	130516086	1	Lever	-
8	131226180	1	O-Ring	-
9	130516087	1	Spring	-
10	130516088	1	Guide	-
11	130516089	1	Gasket	-
12	130516090	1	Cap	-
13	130516091	6	Screw	-
14	130516069	4	Gasket	-
15	130516092	2	Banjo Bolt	-



12 Volt Engine - Marine: 282/283 & 306/307 Frame Generators

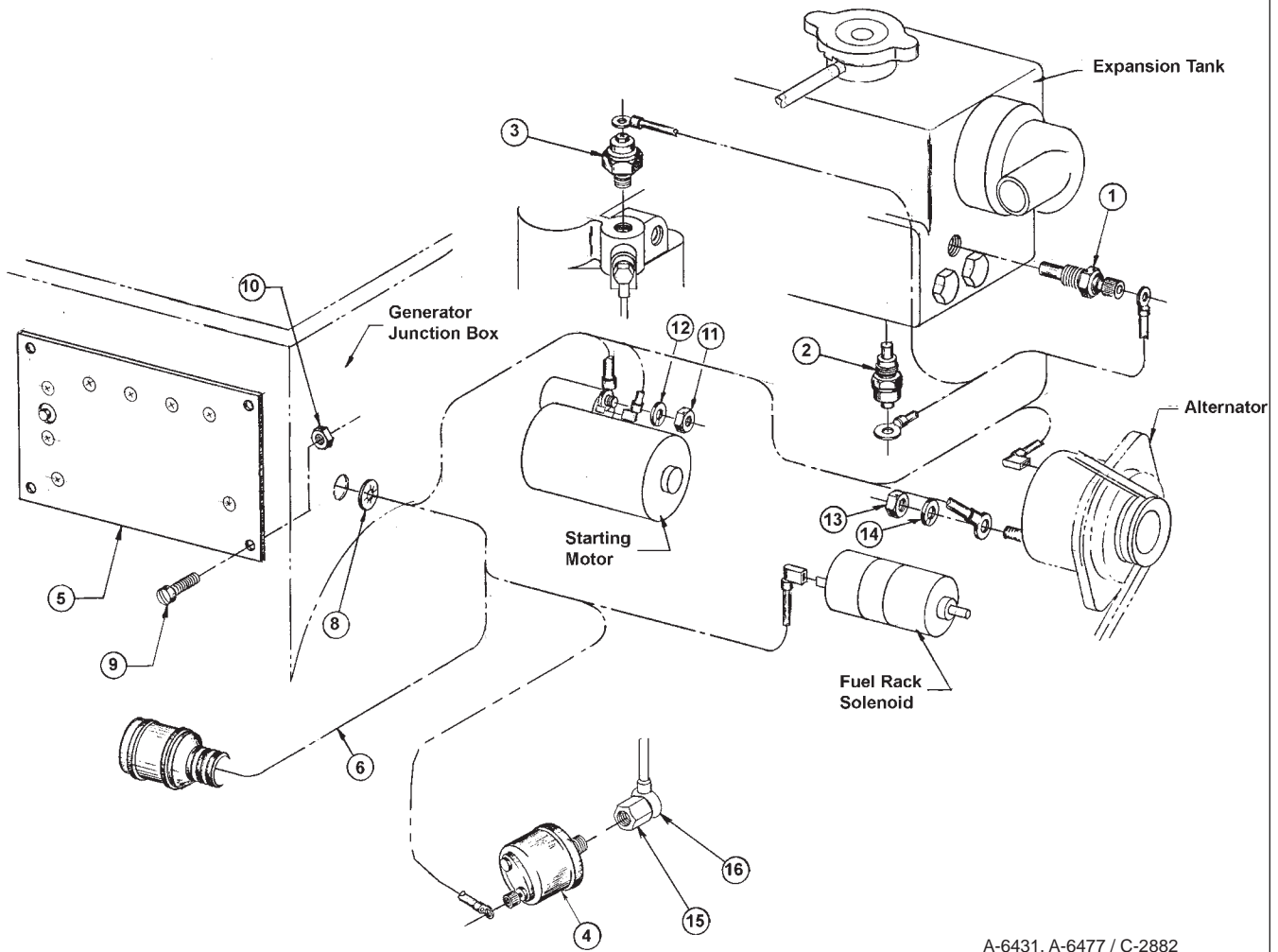


### 12 Volt Engine - Marine: 282/283 & 306/307 Frame Generators

KEY	PART NUMBER	QTY	DESCRIPTION	SERIAL NUMBER
1	22-42055	1	Engine Temperature Sender, Standard Ground	-
	22-40352	1	Dual Station Engine Temperature Sender, Standard Ground	-
	22-40353	1	Dual Station Engine Temperature Sender, Isolated Ground	-
2	385720110	1	Engine Temperature Switch 95°C, Standard Ground	-
3	185246011	1	Oil Pressure Switch, Standard Ground	-
4	22-41016	1	Oil Pressure Sender, Standard Ground	-
	22-71026	1	Dual Station Oil Pressure Sender, Standard Ground	-
	22-74803	1	Dual Station Oil Pressure Sender, Isolated Ground	-
5	22-42047	4	Relay, 12 Volt SPDT	-
6	22-41032	4	Relay Base	-
7	22-42043	1	Circuit Breaker, DC 15 Amp	-
8	22-90006	1	Control Panel, S1-B (see detail)	-
9	22-48101	1	Engine Wire Harness	-
10	22-41060	2	Diode, 6 Amp 50 Volt PIV	-
11	22-40930	1	Wire Harness Extension 20' (not shown)	-
12	00-41015	1	Universal Bushing, Plastic	-
13	12-00094	2	Machine Screw #10-32 x 3/8" S/S	-
14	15-00032	2	Flat Washer #10	-
15	14-00006	2	Hex Nut, Nylock #10-32	-
16	14-00711	1	Hex Nut, M8 x 1.25	-
17	15-00702	1	Lock Washer M8	-
18	14-04401	1	Hex Nut, M5 x 0.8	-
19	15-04400	1	Lock Washer M5	-
20	185206082	1	Stop Solenoid 12 Volt (see also Fuel System)	-
21		1	Alternator 12 Volt (see mounting detail)	-
22	198487590	1	Banjo Bolt (formerly #198486870) - Used with #25 only	-
23	140606701	1	Oil Line	-
24		1	Starter 12 Volt (see mounting detail)	-
25	21-42001	**	Elbow 90° Steel 1/8 BSPT X 1/8 NPT (not shown)	-

\*\*As required.

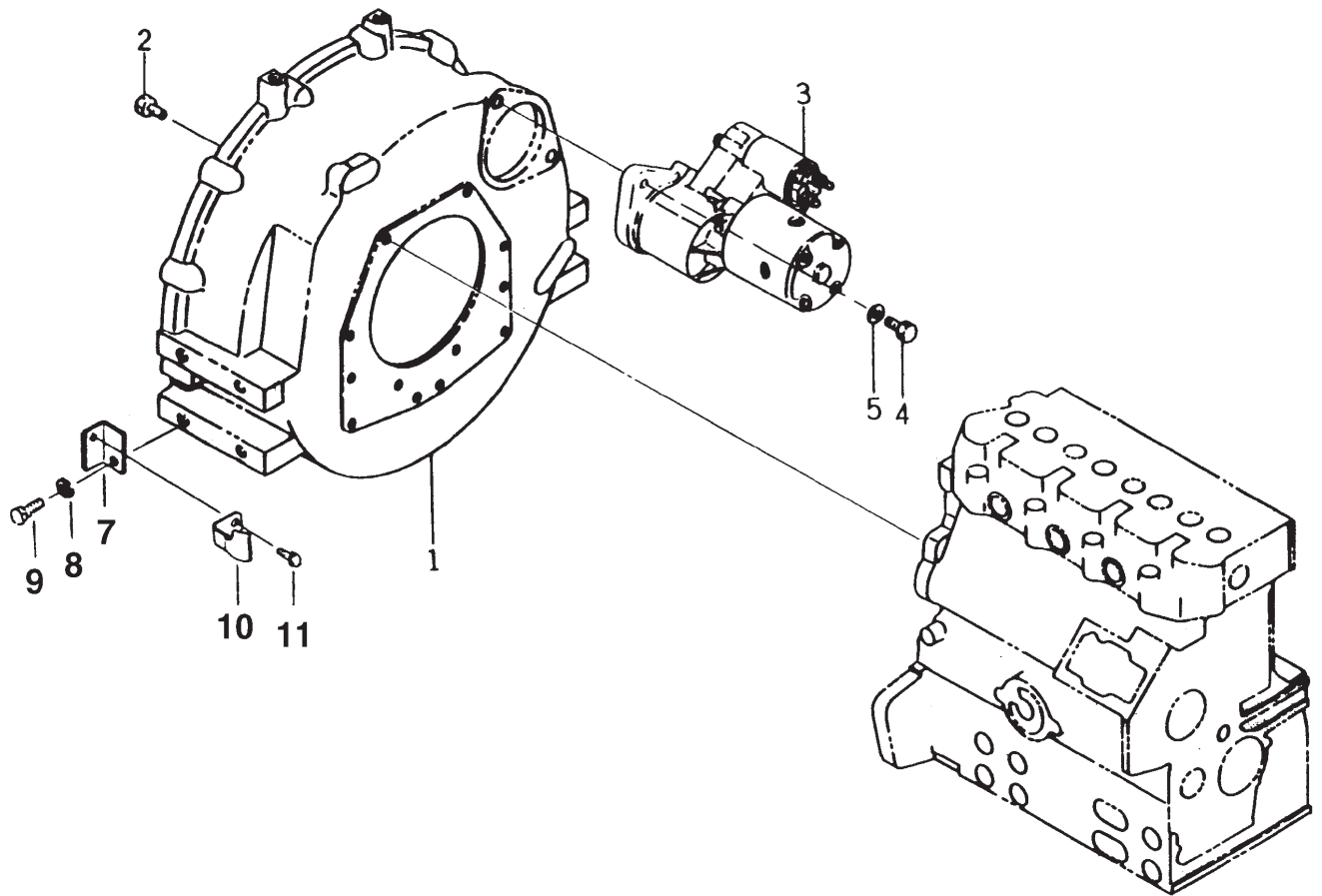
**12 Volt Engine - Marine & Industrial: 184 Frame Generators**



A-6431, A-6477 / C-2882

KEY	PART NUMBER	QTY	DESCRIPTION	SERIAL NUMBER
1	22-71026	1	Engine Temperature Sender - Dual Station	-
	22-42055	1	Engine Temperature Sender - Single Station	-
2	385720110	1	Temperature Switch 203° F - Marine	-
	385720230	1	Temperature Switch 212° F - Industrial	-
3	185246011	1	Oil Pressure Switch	-
4	22-71016	1	Oil Pressure Sender - Dual Station	-
	22-41016	1	Oil Pressure Sender - Single Station	-
5	22-92007	1	Relay Board/Side Cover 12Volt - Marine	-
	22-98405	1	Relay Board/Control Panel 12Volt - Industrial	-
6	22-48104	1	Engine Wire Harness	-
7	22-40930	1	Wire Harness Extension 20' (not shown)	-
8	00-41015	1	Universal Bushing	-
9	12-00000	4	Machine Screw #10-32 x 1/2"	-
10	14-00006	4	Hex Nut, Nylock #10-32	-
11	14-00711	1	Hex Nut M8 x 1.25	-
12	15-00702	1	Lock Washer M8	-
13	14-04401	1	Hex Nut M5 x 0.8	-
14	15-04400	1	Lock Washer M5	-
15	198487590	1	Banjo Bolt (formerly #198486870)	-
16	140606701	1	Oil Line	-

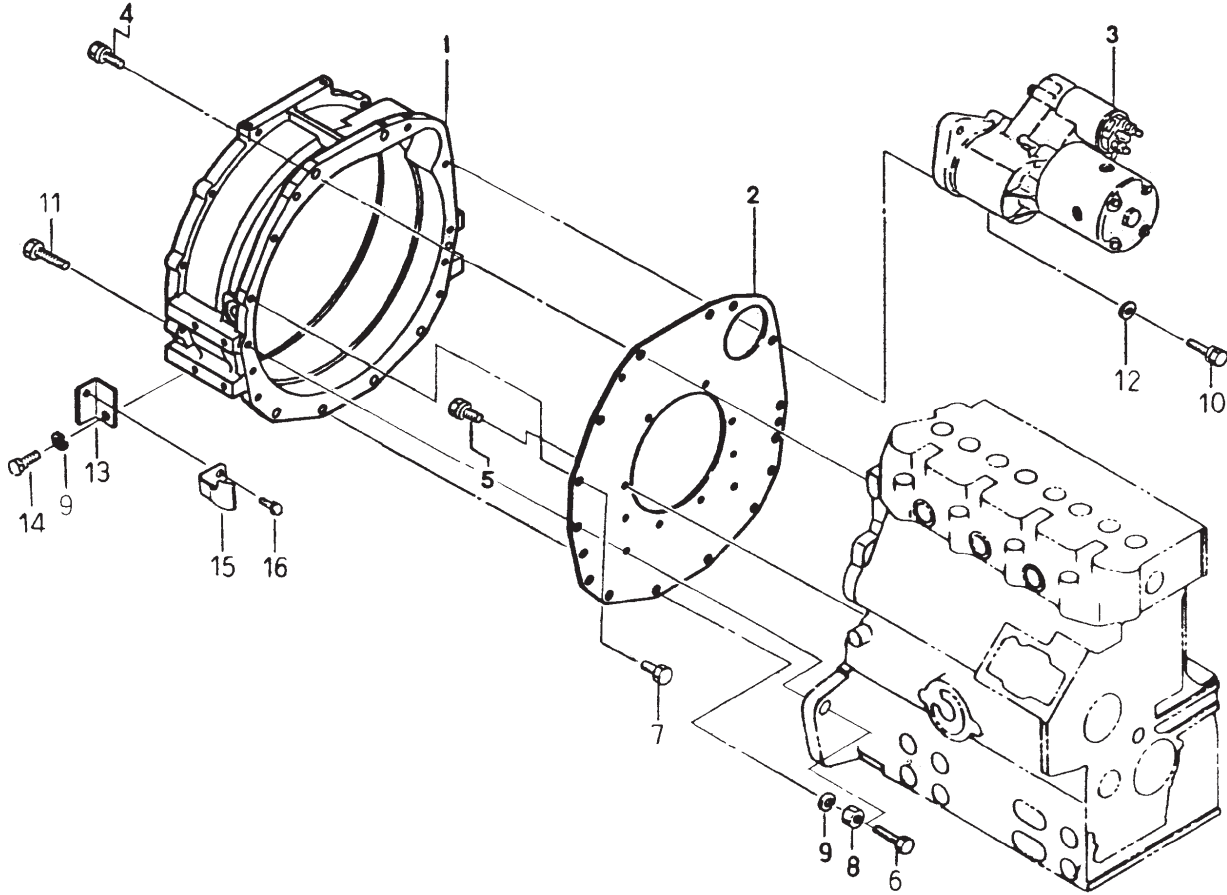
**Starter & Flywheel Housing: M844 - NL844 & M16C**



KEY	PART NUMBER	QTY	DESCRIPTION	SERIAL NUMBER
1	110446890	1	Flywheel Housing - Marine SAE #4	-
	110446880	1	Flywheel Housing - Industrial SAE #4	-
2	011500820	10	Bolt	-
3	185086410	1	Starter - 12 Volt - Standard Ground (marked M2T54091)*	-
	185086500	1	Starter - 12 Volt - Standard Ground (marked M2T58981)*	-
	185086550	1	Starter - 12 Volt - Standard Ground (marked M001T55081)*	-
	22-48102	1	Starter - 12 Volt - Isolated Ground	-
	22-43108	1	Starter - 24 Volt - Standard Ground	-
	22-48103	1	Starter - 24 Volt - Isolated Ground	-
4	011501030	2	Bolt	-
5	026200010	2	Washer	-
7	130976310	1	Bracket	-
8	027100010	1	Lock Washer	-
9	199436350	2	Bolt	-
10	140976040	1	Bracket, Drain Hose Support	-
11	011500812	1	Bolt	-
12	31-48101	1	Spacer (used with 24 Volt starters only)	-
			*See parts detail.	

GROUP 5 – ELECTRICAL SYSTEM

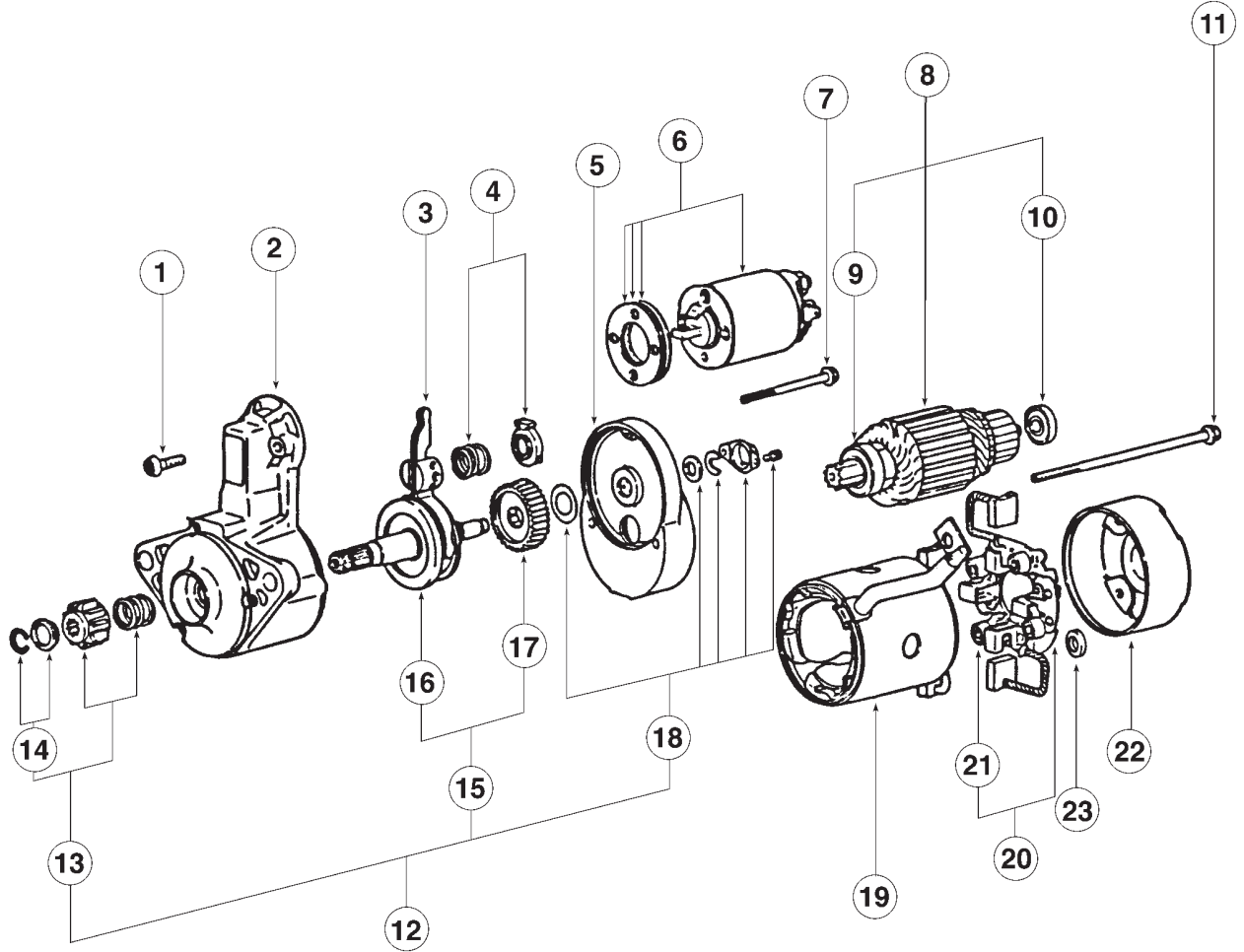
**Starter & Flywheel Housing: M - NL844L & M20CL**



KEY	PART NUMBER	QTY	DESCRIPTION	SERIAL NUMBER
1	31-68401	1	Flywheel Housing - Marine SAE #4 (used with 24 Volt starters only)	-
	110446991	1	Flywheel Housing - Marine SAE #4	-
	110447000	1	Flywheel Housing - Industrial	-
2	110367590	1	Back Plate - Marine	-
	110367610	1	Back Plate - Industrial	-
3	185086410	1	Starter - 12 Volt - Standard Ground (marked M2T54091)**	-
	185086500	1	Starter - 12 Volt - Standard Ground (marked M2T58981)**	-
	185086551	1	Starter - 12 Volt - Standard Ground (marked M001T55081)**	-
	22-48106	1	Starter - 12 Volt - Isolated Ground (formerly #22-48102)	-
	22-43108	1	Starter - 24 Volt - Standard Ground	-
	22-48103	1	Starter - 24 Volt - Isolated Ground	-
4	011501235	2	Bolt	-
5	011500816	10	Bolt	-
6	011501050	6	Bolt	-
7	011501020	2	Bolt	-
8	020100010	4	Nut	-
9	027100010	4	Lock Washer	-
10	011501030	2	Bolt	-
11	010301030	4	Bolt	-
12	026200010	2	Washer	-
13	130976310	1	Bracket, Drain Hose Support*	-
14	199436350	1	Bolt*	-
15	140976040	1	Bracket*	-
16	011500812	1	Bolt*	-
17	31-48101	1	Spacer (used with 24 Volt starters only)	-
18	00-68401	1	Cover (for 31-68401)	-

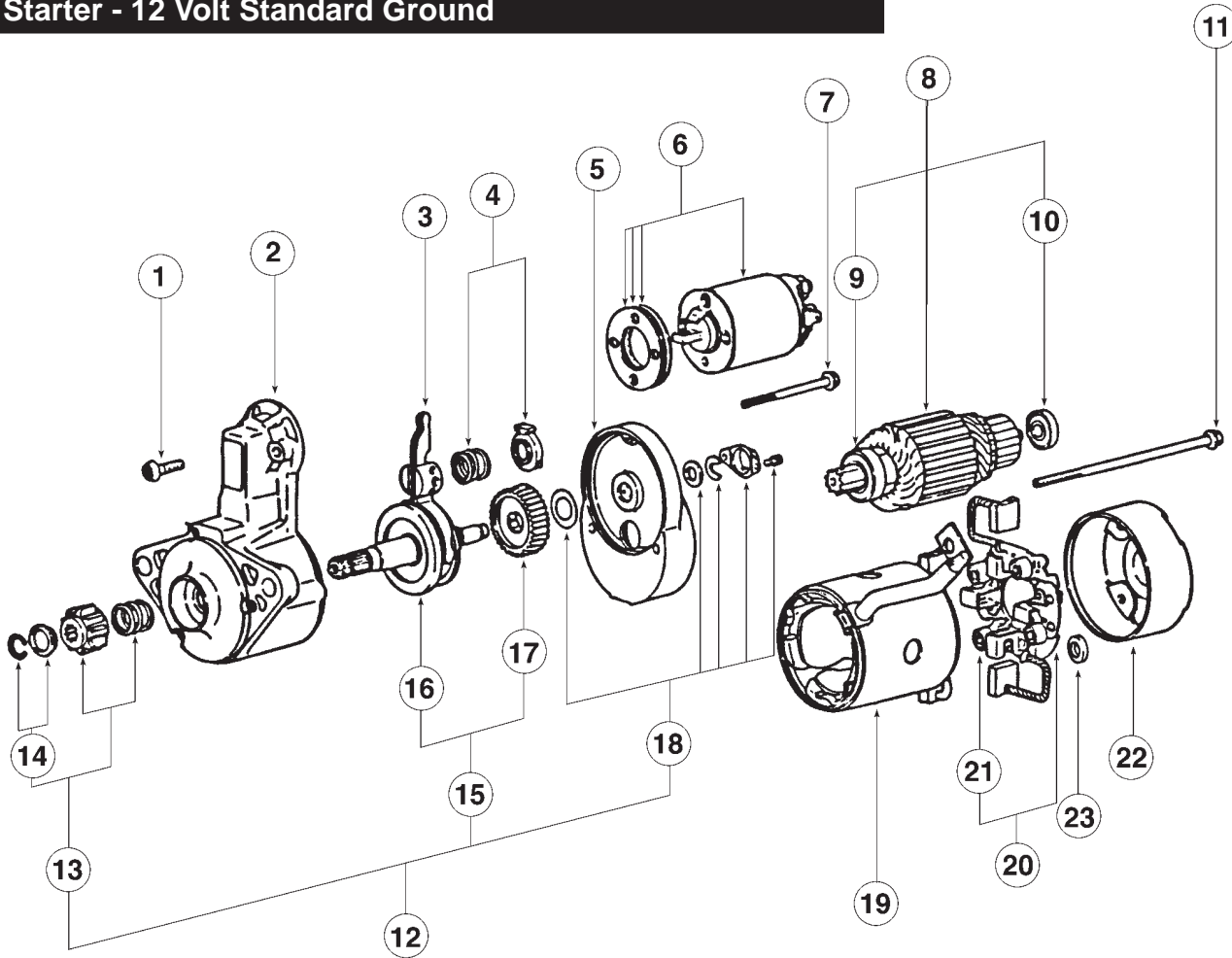
\*NOTE: #13-16 Marine application only. \*\*See parts detail

**Starter - 12 Volt Standard Ground**



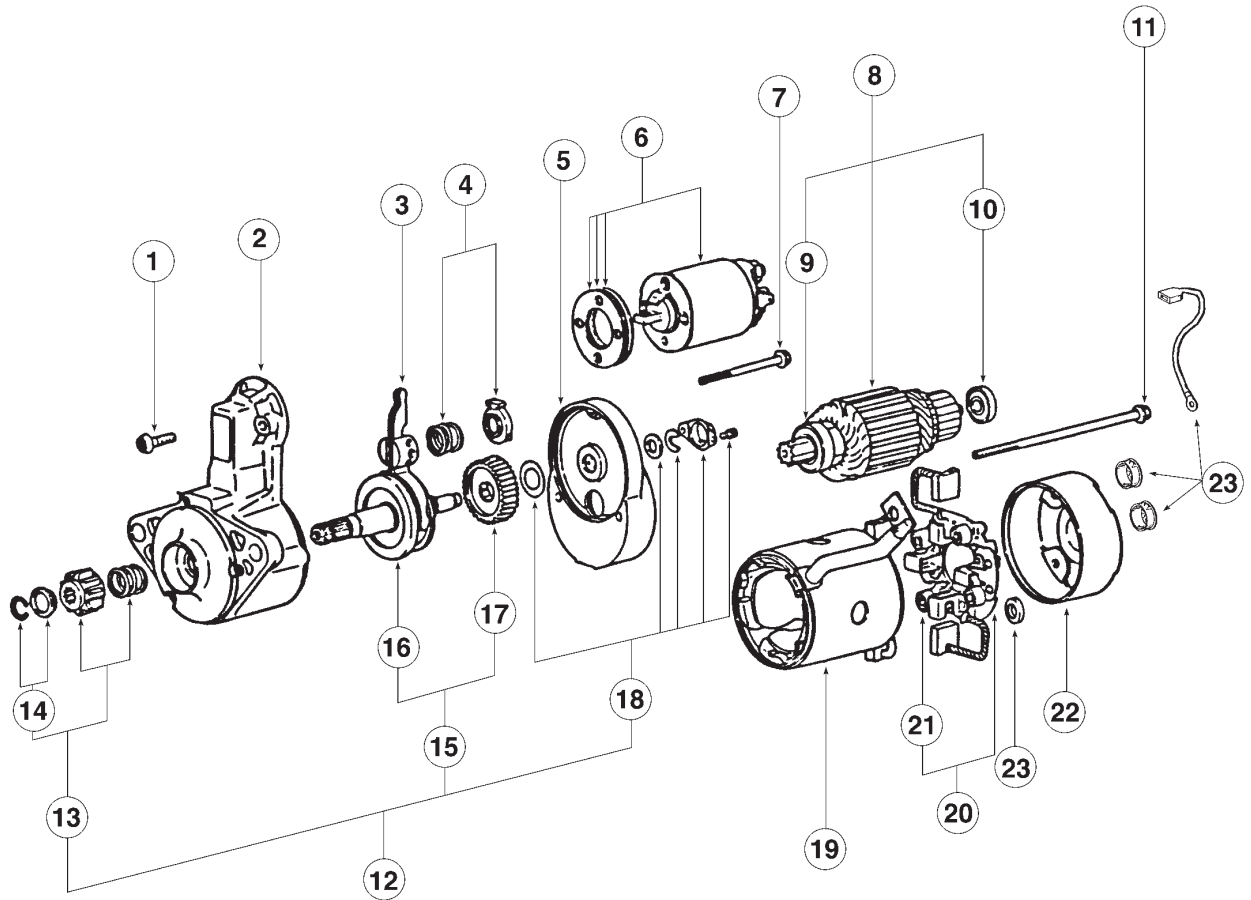
KEY	PART NUMBER	QTY	DESCRIPTION	SERIAL NUMBER
••	185086500	1	Starter (includes all keys - marked M2T58981)	-
1	185846317	1	Set Screw	-
2	185846530	1	Bracket Assembly	-
3	185846319	1	Lever Assembly	-
4	185846320	1	Spring Set	-
5	185846321	1	Center Bracket Assembly	-
6	185816120	1	Switch Assembly	-
7	185846322	1	Bolt	-
8	185846529	1	Armature Set (includes keys #9 - 10)	-
9	185846324	1	Bearing	-
10	185846325	1	Bearing	-
11	185846363	2	Bolt	-
12	185866180	1	Clutch Shaft Assembly (includes keys #13 - 18)	-
13	185846406	1	Pinion Set	-
14	185846327	1	Stopper Set	-
15	185846328	1	Gear Set	-
16	185866130	1	Piston Shaft Assembly	-
17	185846329	1	Gear	-
18	185846330	1	Cover Set	-
19	185846364	1	Housing & Field Coil Assembly	-
20	185846360	1	Brush Holder Assembly (includes key #21)	-
21	185846361	4	Spring Brush	-
22	185846362	1	Rear Bracket	-

**Starter - 12 Volt Standard Ground**



KEY	PART NUMBER	QTY	DESCRIPTION	SERIAL NUMBER
••	185086410	1	Starter (includes keys #1 - #22) Marked M2T54091	-
1	185846317	1	Screw Set	-
2	185846493	1	Front Cover	-
3	185846494	1	Lever Assembly	-
4	185846495	1	Spring Set	-
5	185846496	1	Center Housing	-
6	185816240	1	Solenoid Assembly	-
7	185846322	1	Bolt	-
8	185846357	1	Armature Set (includes keys #9 - #10)	-
9	185846324	1	Bearing	-
10	185846325	1	Bearing	-
11	185846363	2	Bolt	-
12	185866270	1	Clutch Shaft Assembly (includes keys #13 - #18)	-
13	185846497	1	Pinion Set (includes key #14)	-
14	185846327	1	Stopper Set	-
15	185846498	1	Gear Set (includes keys #16 - #17)	-
16	185866280	1	Pinion Shaft Assembly	-
17	185846329	1	Gear	-
18	185846499	1	Cover Set	-
19	185846364	1	Housing & Field Coil Assembly	-
20	185846360	1	Brush Holder Assembly (includes key #21)	-
21	185846361	4	Brush Spring	-
22	185846362	1	Rear Cover	-

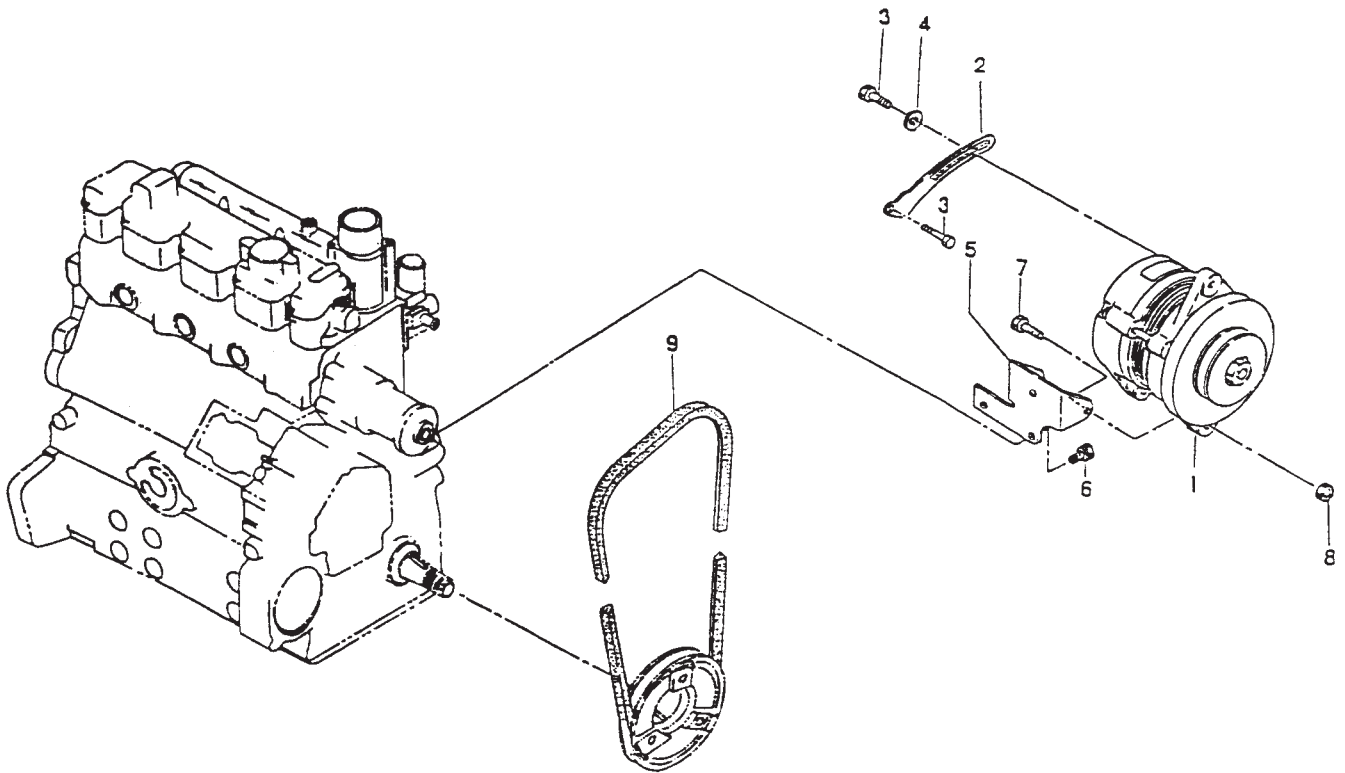
**Starter - 12 Volt Isolated Ground**



KEY	PART NUMBER	QTY	DESCRIPTION	SERIAL NUMBER
••	22-48102	1	Starter (includes keys #1 - 22) Marked M2T54091	-
1	185846317	1	Screw Set	-
2	185846493	1	Front Cover	-
3	185846494	1	Lever Assembly	-
4	185846495	1	Spring Set	-
5	185846496	1	Center Housing	-
6	22-48107	1	Solenoid	-
7	185846322	1	Bolt	-
8	185846357	1	Armature Set (includes keys #9 - 10)	-
9	185846324	1	Bearing	-
10	185846325	1	Bearing	-
11	185846363	2	Bolt	-
12	185866270	1	Clutch Shaft Assembly (includes keys #13 - 18)	-
13	185846497	1	Pinion Set (includes key #14)	-
14	185846327	1	Stopper Set	-
15	185846498	1	Gear Set (includes keys #16 - 17)	-
16	185866280	1	Pinion Shaft Assembly	-
17	185846329	1	Gear	-
18	185846499	1	Cover Set	-
19	185846364	1	Housing & Field Coil Assembly	-
20	22-48108	1	Brush Holder Assembly (includes key #21)	-
21	185846361	4	Brush Spring	-
22	22-48109	1	Rear Cover	-
23	22-48111	1	Insulator Kit	-



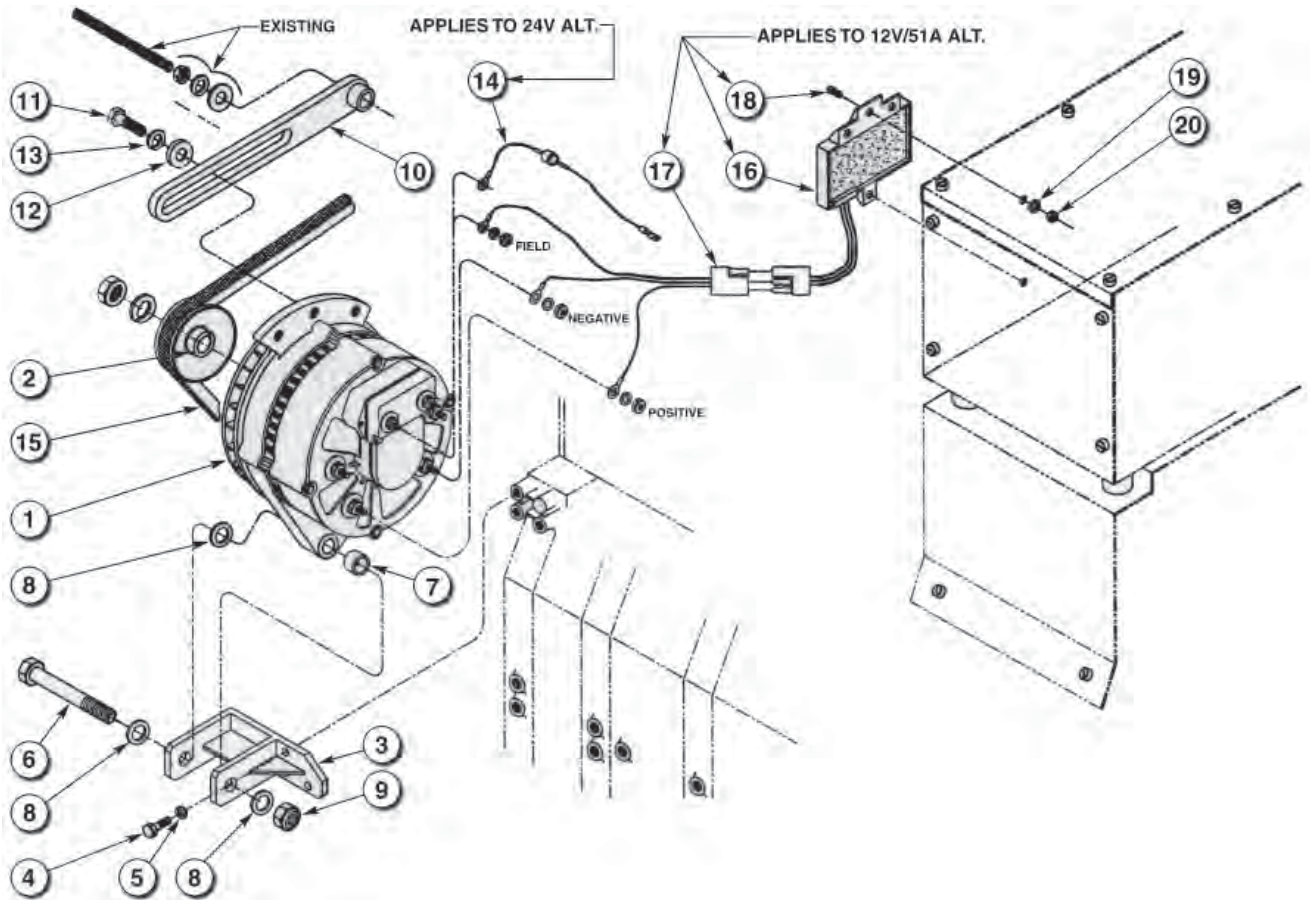
**Alternator Mounting - 12 Volt/35 Amp: Standard & Isolated Ground**



844alt

KEY	PART NUMBER	QTY	DESCRIPTION	SERIAL NUMBER
1	185046201	1	Alternator - 12 Volt/35 Amp - Standard Ground (see parts detail)	up to S/N xxxx-15589
	185046320	1	Alternator - 12 Volt/40 Amp - Standard Ground (see parts detail)	from S/N xxxx-15590
	22-43109	1	Alternator - 12 Volt/35 Amp - Isolated Ground	-
2	185727000	1	Tensioner	-
3	011500820	2	Bolt	-
4	026109017	1	Washer	-
5	185976510	1	Bracket	-
6	011500816	3	Bolt	-
7	010301035	2	Bolt	-
8	023100010	2	Nut	-
9	40-02003	1	Drive Belt (M-844 & M-16C) (formerly #080109061)	-
	40-08403	1	Drive Belt (M-844L & M-20CL) (formerly #080109080)	-

**Alternator Options: 12Volt / 51Amp and 24Volt / 35 & 40Amp**



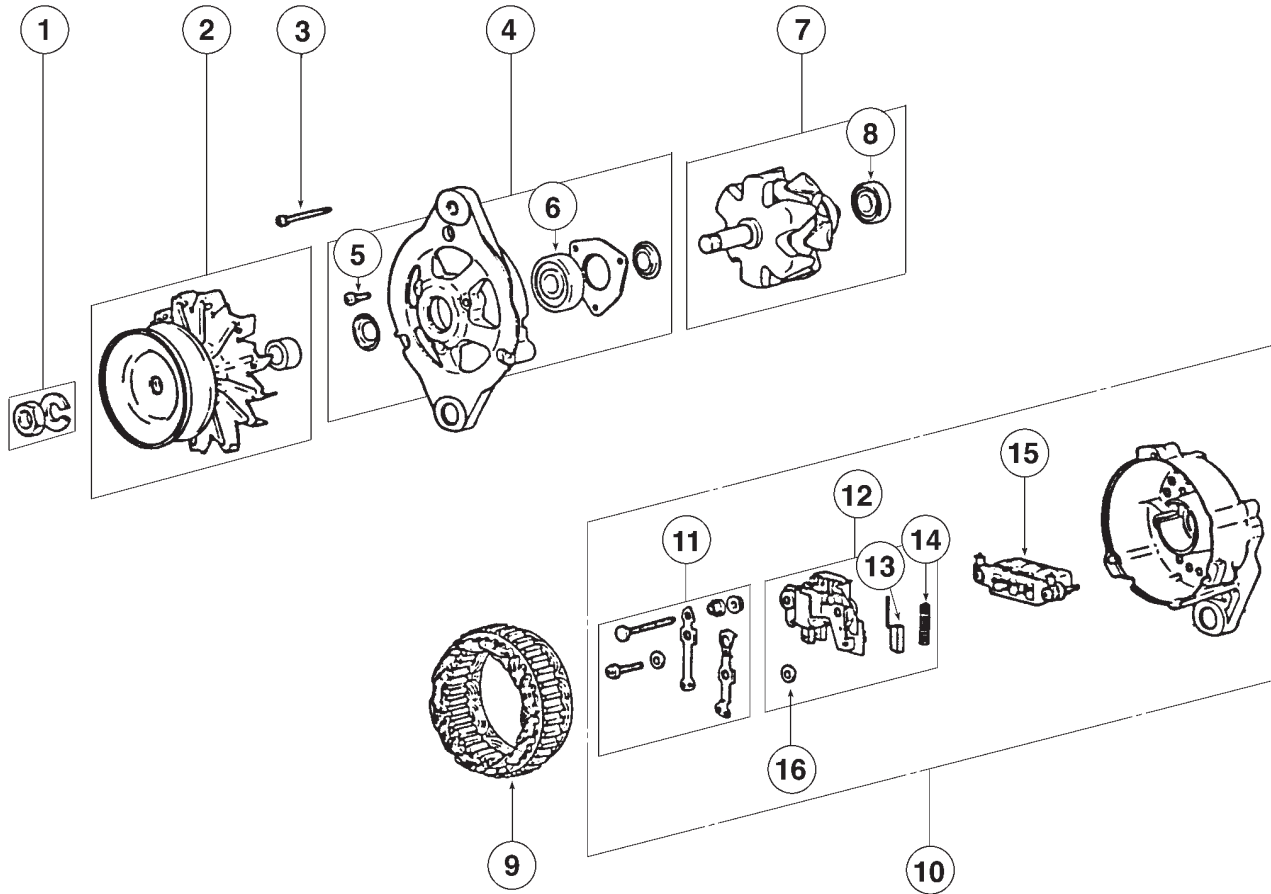
A-7631, A-7632, A-7633, A-7634, A-7635, A-7636 & D-2926

KEY	PART NUMBER	QTY	DESCRIPTION	SERIAL NUMBER
1	22-40333	1	Alternator 12 Volt/51 Amp Isolated Ground	-
	22-40278	1	Alternator 24 Volt/40 Amp Standard Ground	-
	22-71052	1	Alternator 24 Volt/35 Amp Isolated Ground	-
2	34-42001	1	Pulley 1-A x 2-1/2" x 5/8" ID	-
3	23-43107	1	Bracket, Alternator Mounting	-
4	12-00711	3	Capscrew, Hex Head M8 x 1.25 x 20 mm	-
5	15-00702	3	Lock Washer, Helical M8	-
6	12-00519	1	Capscrew, Hex Head 1/2-13 x 2-3/4"	-
7	21-42206	1	Spacer	-
8	15-00504	**	Flat Washer, 1/2 SAE	-
9	14-00512	1	Hex Nut, Nylock 1/2-13	-
10	23-42005	1	Tensioning Arm	-
11	12-00212	1	Capscrew, Hex Head 5/16-18 x 1"	-
12	15-00201	1	Stud Washer 5/16	-
13	15-00202	1	Lock Washer, Helical 5/16	-
14	22-70048	1	Diode Harness Addition	-
15	40-02005	1	Drive Belt (844)	-
	40-08404	1	Drive Belt (844L)	-
16	22-40334	1	D.C. Voltage Regulator, 12V, Adjustable	-
17	16-1	1	Wire Harness 36" (844)	-
18	12-00001	2	Machine Screw #10-32 x 3/4" S/S	-
19	15-70002	2	Flat Washer #10 S/S	-
20	14-00032	2	Hex Nut, Nylock #10 S/S	-

} 12 Volt / 51 Amp Alternator Only

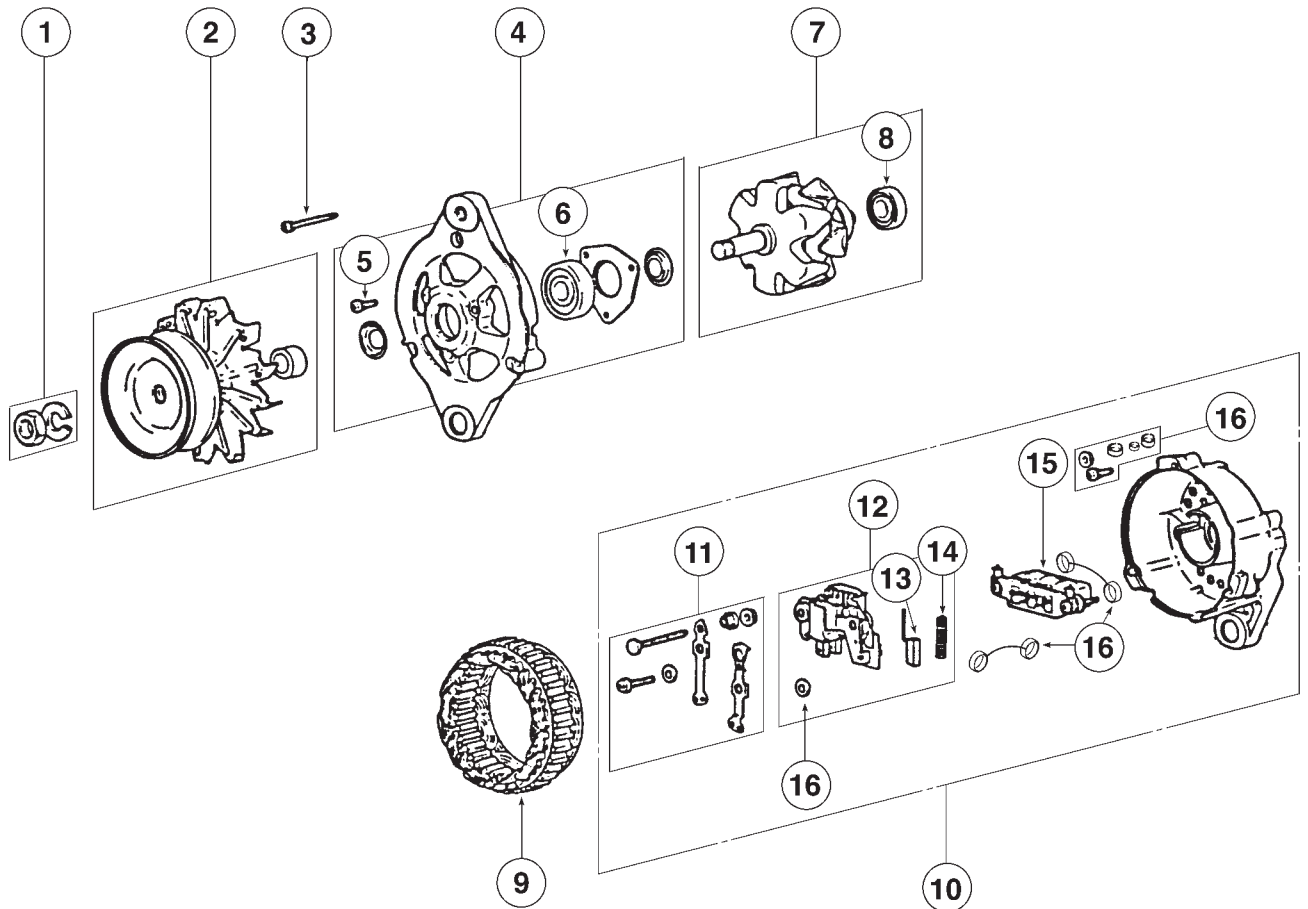
\*\*As required.

**Alternator Assembly - 12 Volt/35 Amp: Standard Ground**



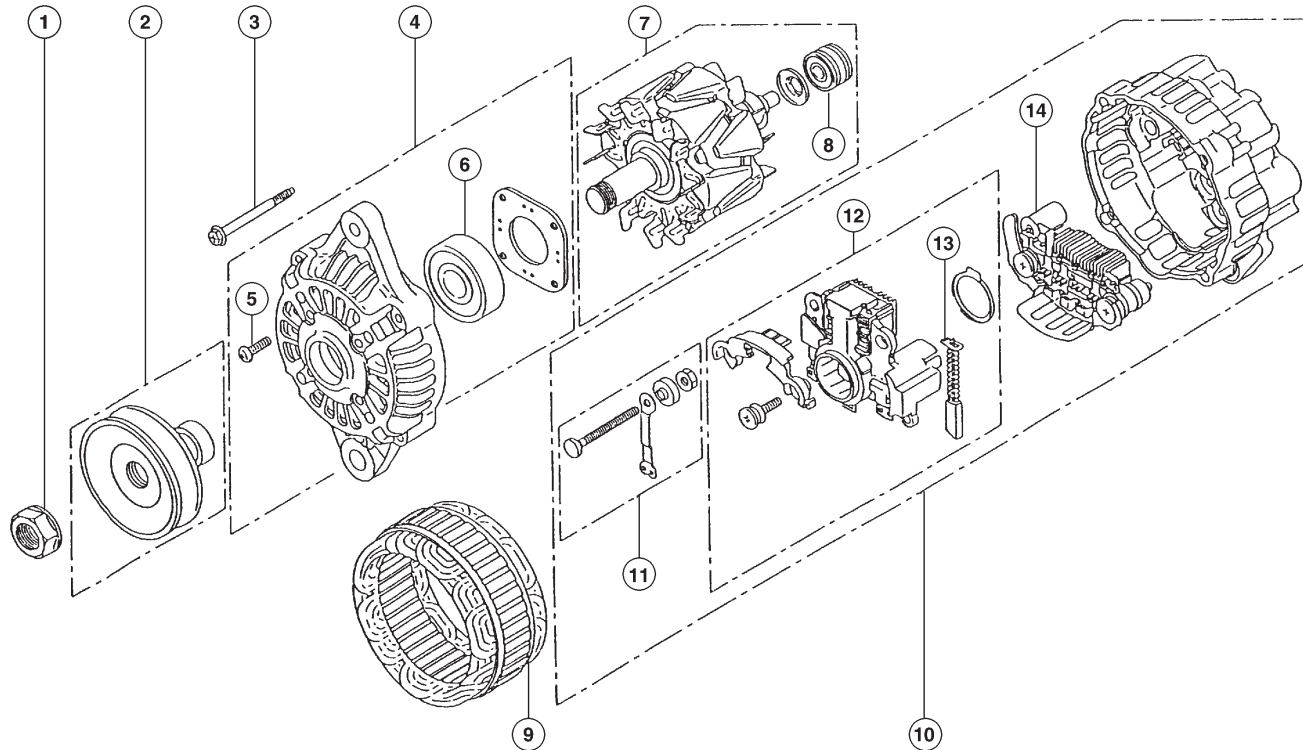
KEY	PART NUMBER	QTY	DESCRIPTION	SERIAL NUMBER
••	185046201	1	Alternator Assembly (includes keys #1 - 15)	-
1	185446175	1	Nut	-
2	185436120	1	Pulley Assembly	-
3	185446158	1	Screw Set	-
4	185426130	1	Front Cover Assembly (includes keys #5 - #6)	-
5	185446182	1	Screw Set	-
6	185446246	1	Ball Bearing	-
7	185446252	1	Rotor Assembly (includes key #8)	-
8	185446251	1	Ball Bearing	-
9	185446162	1	Stator Assembly	-
10	185426200	1	Rear Cover Assembly (includes keys #11 - #15)	-
11	185446188	1	Terminal Set	-
12	185446187	1	Regulator Assembly (includes keys #13 - #14)	-
13	185416300	2	Brush	-
14	185446165	2	Spring	-
15	185446253	1	Rectifier Assembly	-

**Alternator Assembly - 12 Volt/35 Amp: Isolated Ground**



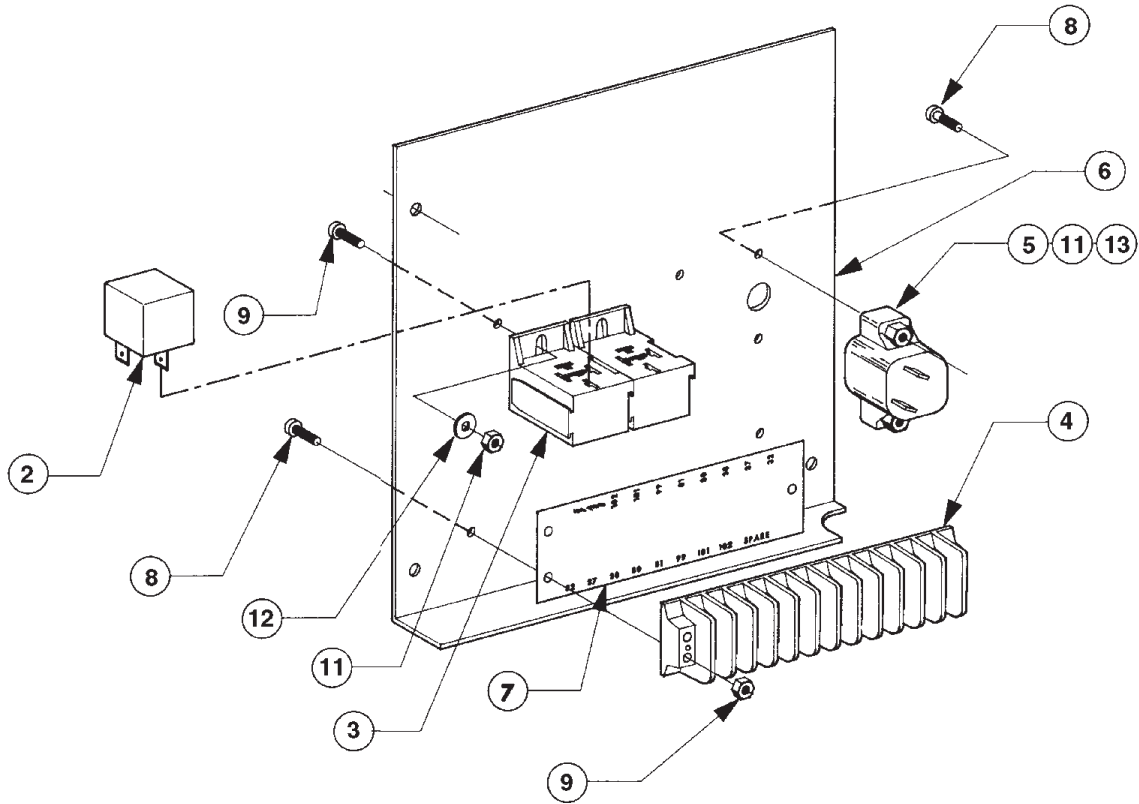
KEY	PART NUMBER	QTY	DESCRIPTION	SERIAL NUMBER
••	22-43109	1	Alternator Assembly (includes keys #1 - 15)	-
1	185446175	1	Nut	-
2	185436120	1	Pulley Assembly	-
3	185446158	1	Screw Set	-
4	185426130	1	Front Cover Assembly (includes keys #5 - 6)	-
5	185446182	1	Screw Set	-
6	185446246	1	Ball Bearing	-
7	185446252	1	Rotor Assembly (includes key #8)	-
8	185446251	1	Ball Bearing	-
9	185446162	1	Stator Assembly	-
10	185426200	1	Rear Cover Assembly (includes keys #11 - 15)	-
11	185446188	1	Terminal Set	-
12	22-43114	1	Regulator Assembly (includes keys #13 - 14)	-
13	185416300	2	Brush	-
14	185446165	2	Spring	-
15	185446253	1	Rectifier Assembly	-
16	22-43116	1	Insulator Kit	-

**Alternator Assembly - 12 Volt/35 Amp: Standard Ground**



KEY	PART NUMBER	QTY	DESCRIPTION	SERIAL NUMBER
••	185046320	1	Alternator Assembly	-
1	185446269	1	Nut	-
2	185436180	1	Pulley Assembly	-
3	185446270	1	Screw Set	-
4	185426210	1	Front Cover Assembly	-
5	185446271	1	Screw Set	-
6	185446272	1	Ball Bearing	-
7	185446273	1	Rotor Assembly	-
8	185446274	1	Ball Bearing	-
9	185446275	1	Stator Assembly	-
10	185426220	1	Rear Cover Assembly	-
11	185446278	1	Terminal Set	-
12	185446277	1	Regulator Assembly	-
13	185416480	2	Brush	-
14	185446276	1	Rectifier Assembly	-

**Relay Board/J-Box Side Cover - 12 Volt: 184 Frame Generator**

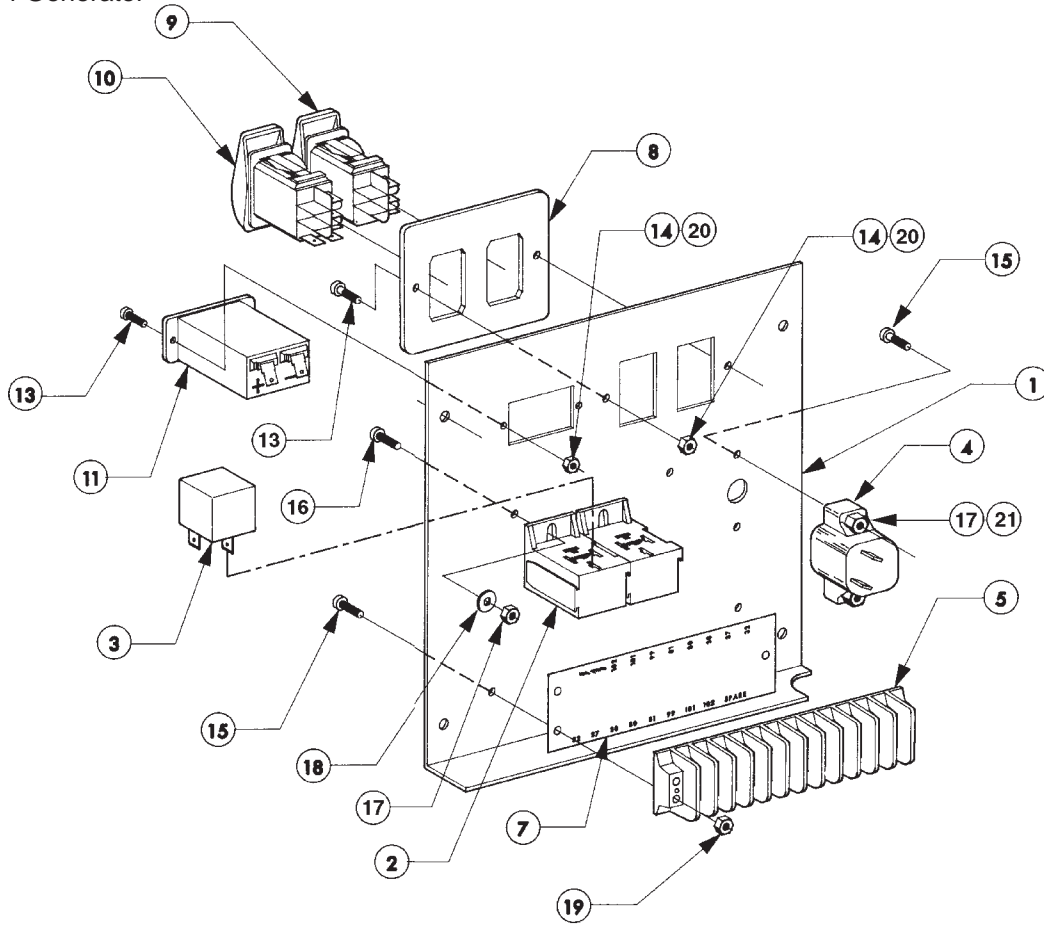


A-6476 / B-4619

KEY	PART NUMBER	QTY	DESCRIPTION	SERIAL NUMBER
••	22-92007	1	Relay Board/J-Box Side Cover Assembly (includes all keys)	-
1	22-41060	2	Diode, 6 Amp 1000 PIV (not shown)	-
2	22-42047	4	Relay, 12 Volt SPDT	-
3	22-41032	4	Relay Base	-
4	22-40193	1	Terminal Board, 12 Connection 600 VAC	-
5	22-40018	1	Circuit Breaker 10 Amp	-
6	28-90006	1	Mounting Plate	-
7	22-00063	1	Number Strip	-
8	12-00005	2	Machine Screw, Binding Head, Phillips #8 - 32 x 3/4"	-
9	12-00004	2	Machine Screw, Binding Head, Phillips #8 - 32 x 3/8"	-
10	14-00003	2	Hex Nut, Nylock #8-32	-
11	14-00000	4	Hex Nut #8-32	-
12	15-00001	2	Flat Washer #8	-
13	15-00000	2	Lock Washer #8	-

**Control Panel / Relay Board: Industrial & Marine**

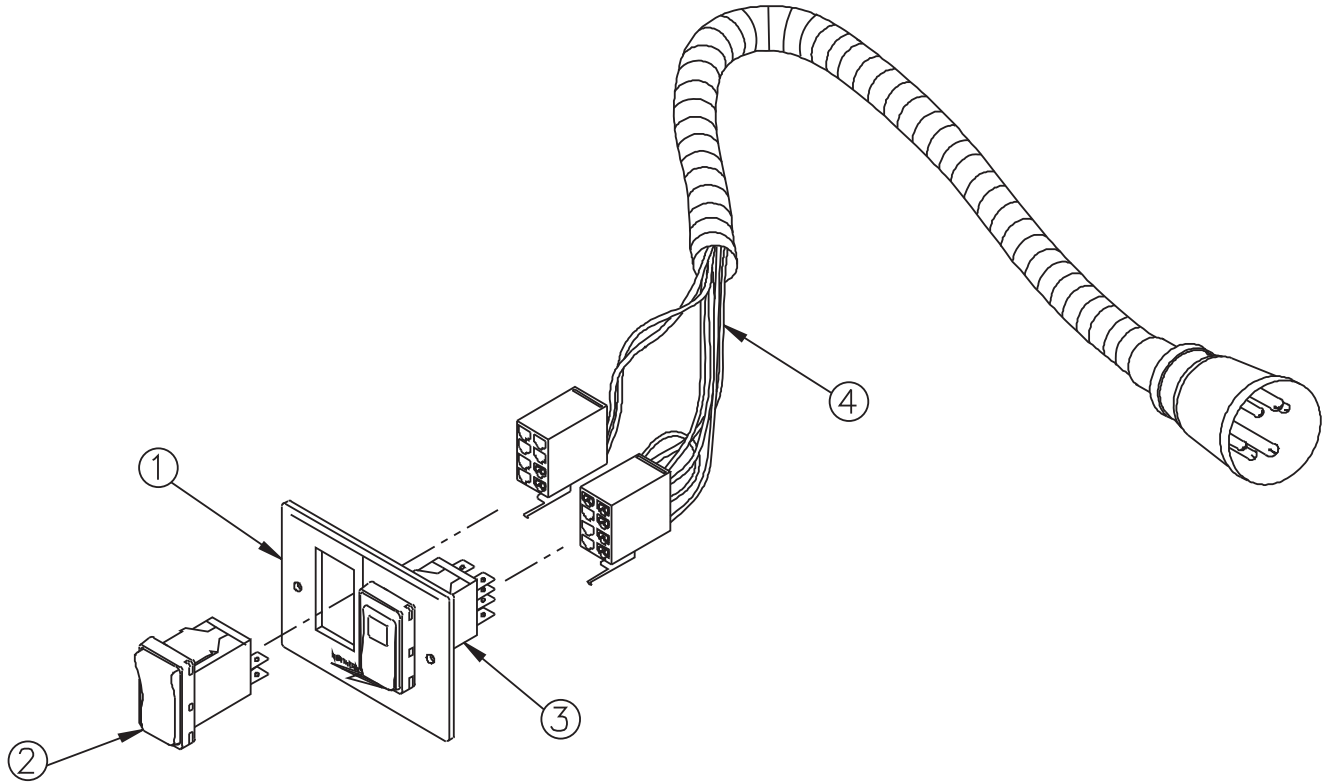
With 184 Generator



A-6432 / C-2911

KEY	PART NUMBER	QTY	DESCRIPTION	SERIAL NUMBER
••	29-98405	1	Control Panel / Relay Board (includes all keys)	-
1	28-90004	1	Plate	-
2	22-41032	4	Relay Base	-
3	22-42047	4	Relay, SPDT	-
4	22-40018	1	Circuit Breaker 10 Amp	-
5	22-40193	1	Terminal Board	-
6	28-41060	1	Diode	-
7	22-00063	1	Number Strip	-
8	00-40013	1	Label	-
9	22-90007	1	Preheat / Shutdown - Bypass Switch	-
10	22-90008	1	Engine Control Switch	-
11	22-90009	1	Hour Meter	-
12	22-40019	1	Wire Harness	-
13	12-00093	2	Machine Screw, Round Head, Phillips #6-32 x 1/2"	-
14	14-00002	4	Hex Nut #6-32	-
15	12-00005	4	Machine Screw, Binding Head, Slotted #8-32 x 3/4"	-
16	12-00004	2	Machine Screw, Binding Head, Slotted #8-32 x 3/8"	-
17	14-00000	4	Hex Nut #8-32	-
18	15-00001	2	Flat Washer #8	-
19	14-00003	2	Hex Nut, Nylock #8-32	-
20	15-00009	4	Lock Washer #6	-
21	15-00000	2	Lock Washer #8	-

**S-1 Control Panel 12 & 24 Volt**

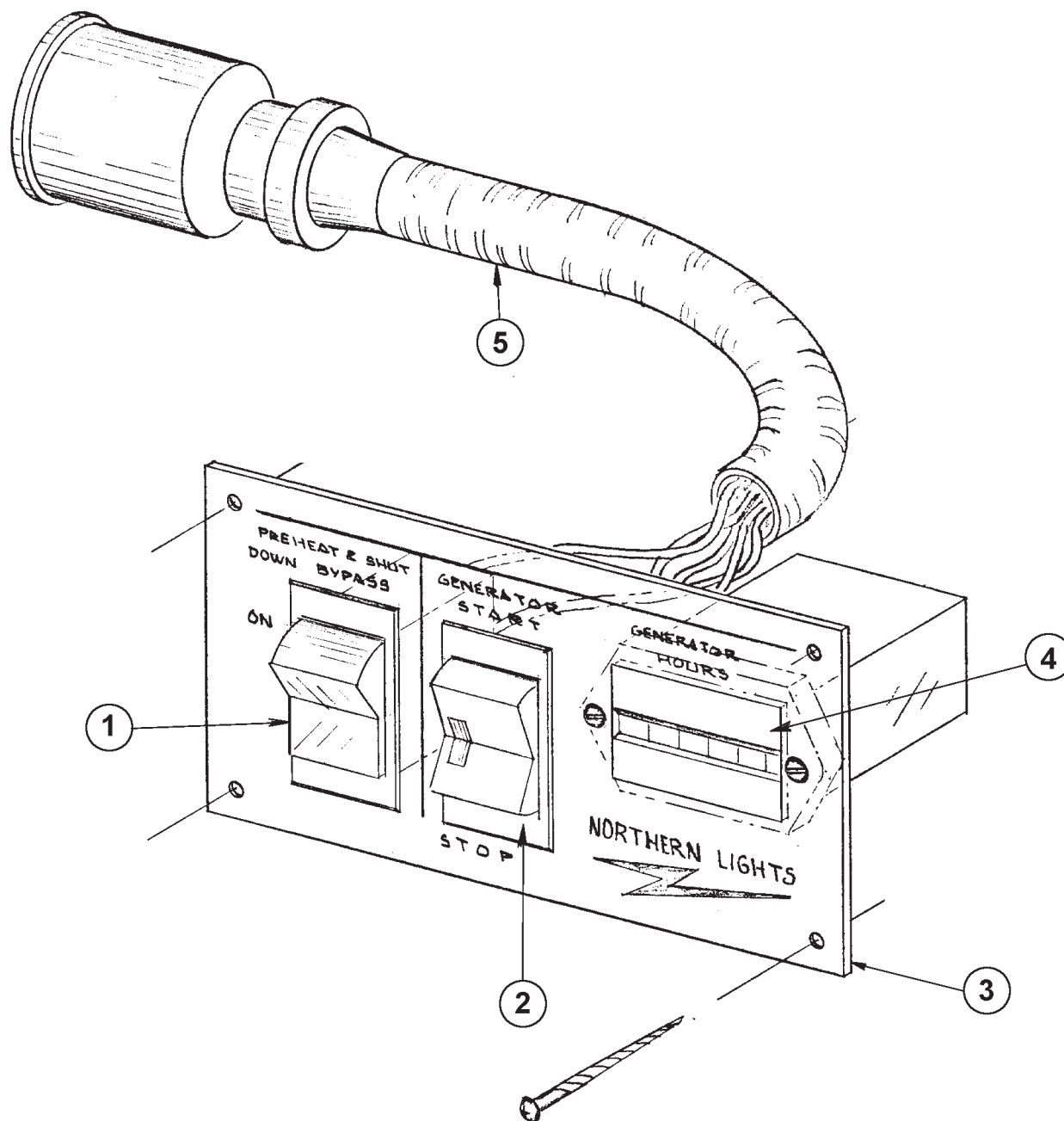


A-8551, A-8552 / B-5970

KEY	PART NUMBER	QTY	DESCRIPTION	SERIAL NUMBER
••	22-92110	1	S-1 Start/Stop Control Panel, 12 Volt (includes all keys)	-
••	22-92115	1	S-1 Start/Stop Control Panel, 24 Volt (includes all keys)	-
1	00-40013	1	Plate, S-1 Control Panel	-
2	22-90167	1	Rocker Switch	-
3	22-90168	1	Rocker Switch	-
4	22-42066	1	Wire Harness, 12 Volt	-
	22-42067	1	Wire Harness, 24 Volt	-
5	00-00013	1	Label "12 Volt" *	-
	00-00014	1	Label "24 Volt" *	-
6	22-40012	1	Resistor, 200 Ohm, 3 Watt (24 Volt Panel only) *	-
			*Not shown	



Series 1-B Control Panel: 12 & 24 Volt

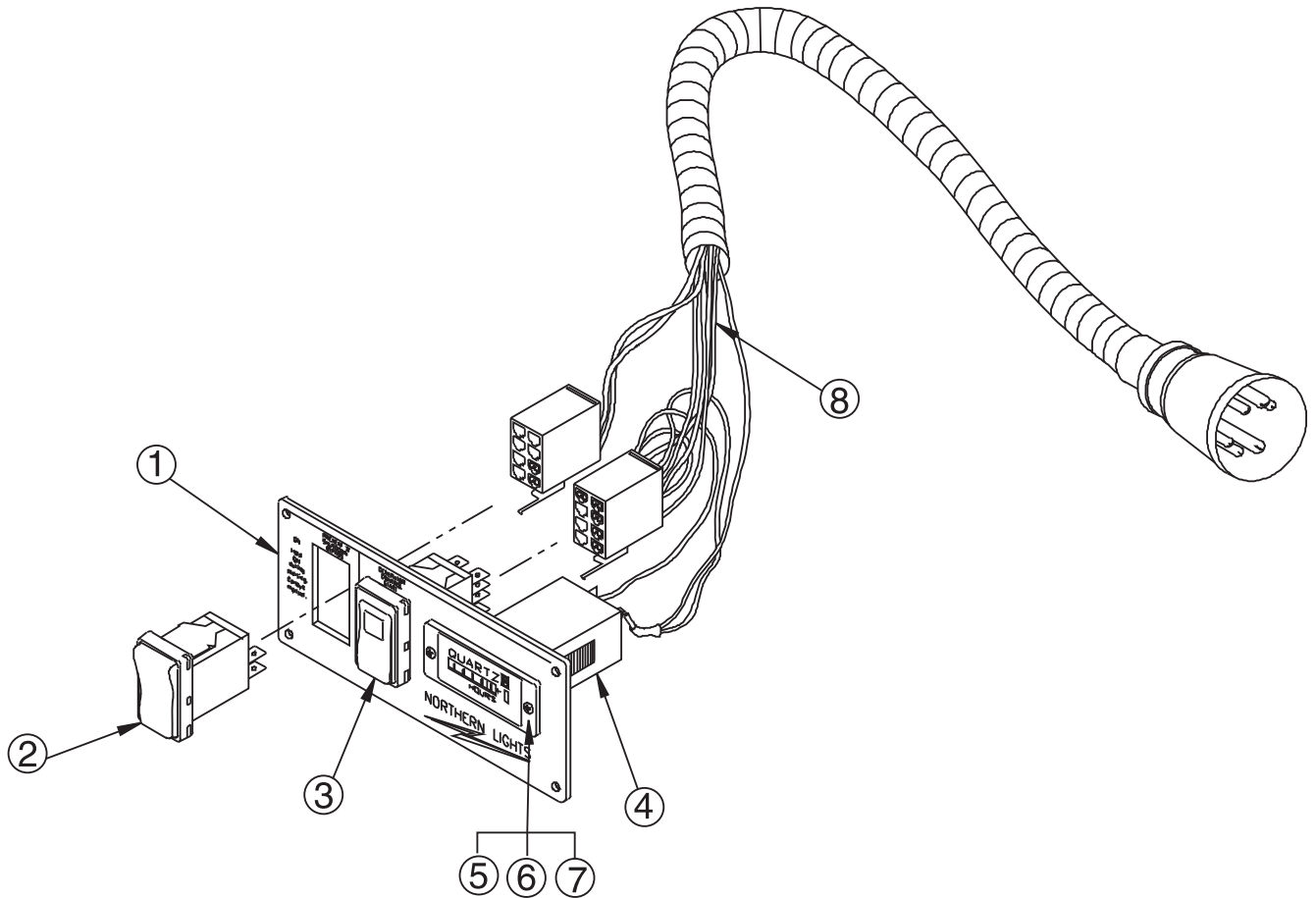


A-4791, A-3171 / C-1911

KEY	PART NUMBER	QTY	DESCRIPTION	SERIAL NUMBER
••	22-90006	1	Series 1-B Control Panel - 12 Volt (includes all keys)	-
••	22-95430	1	Series 1-B Control Panel - 24 Volt (includes all keys)	-
1	22-90007	1	Preheat / Shutdown - Bypass Switch	-
2	22-90008	1	Engine Control Switch with Lamp 12 Volt	-
3	28-90003	1	Series 1-B Face Plate	-
4	22-90009	1	Hour Meter	-
5	22-40019	1	Wire Harness	-
6	22-40012	1	Resistor 200 Ohm, 24 Volt Only (not shown)	-

**Series 1-B Start-Stop Control Panel**

12 and 24 Volts, Late Production

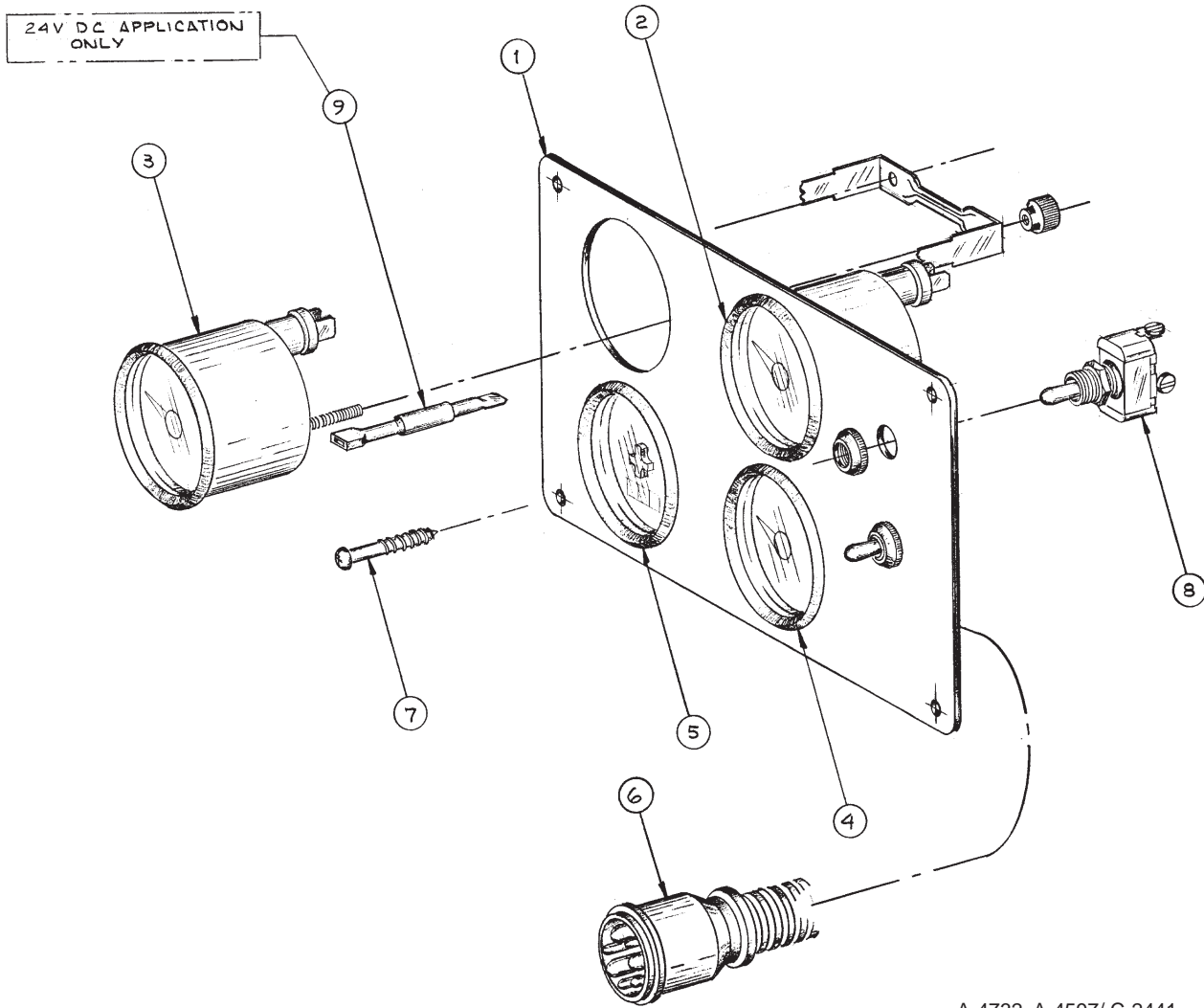


A-8553/ B-5971

KEY	PART NUMBER	QTY	DESCRIPTION	SERIAL NUMBER
••	22-92120	1	S 1-B Start/Stop Control Panel - 12 Volt (includes all keys)	-
••	22-92125	1	S 1-B Start/Stop Control Panel - 24 Volt (includes all keys)	-
1	28-90003	1	Plate	-
2	22-90167	1	Rocker Switch	-
3	22-90168	1	Rocker Switch	-
4	22-90009	1	Hour Meter	-
5	12-00093	2	Machine Screw, Round Head Philips #6 - 32 x 1/2"	-
6	15-00030	2	Star Washer, Internal #6, Stainless Steel	-
7	14-00015	2	Hex Nut #6 - 32, Stainless Steel	-
8	22-42063	1	Wire Harness - 12 Volt Panels	-
	22-42064	1	Wire Harness - 24 Volt Panels	-

**Flush Mount Dual Station Control Panel 12 & 24 Volt**

VDO Standard Line Black Bezel Gauges

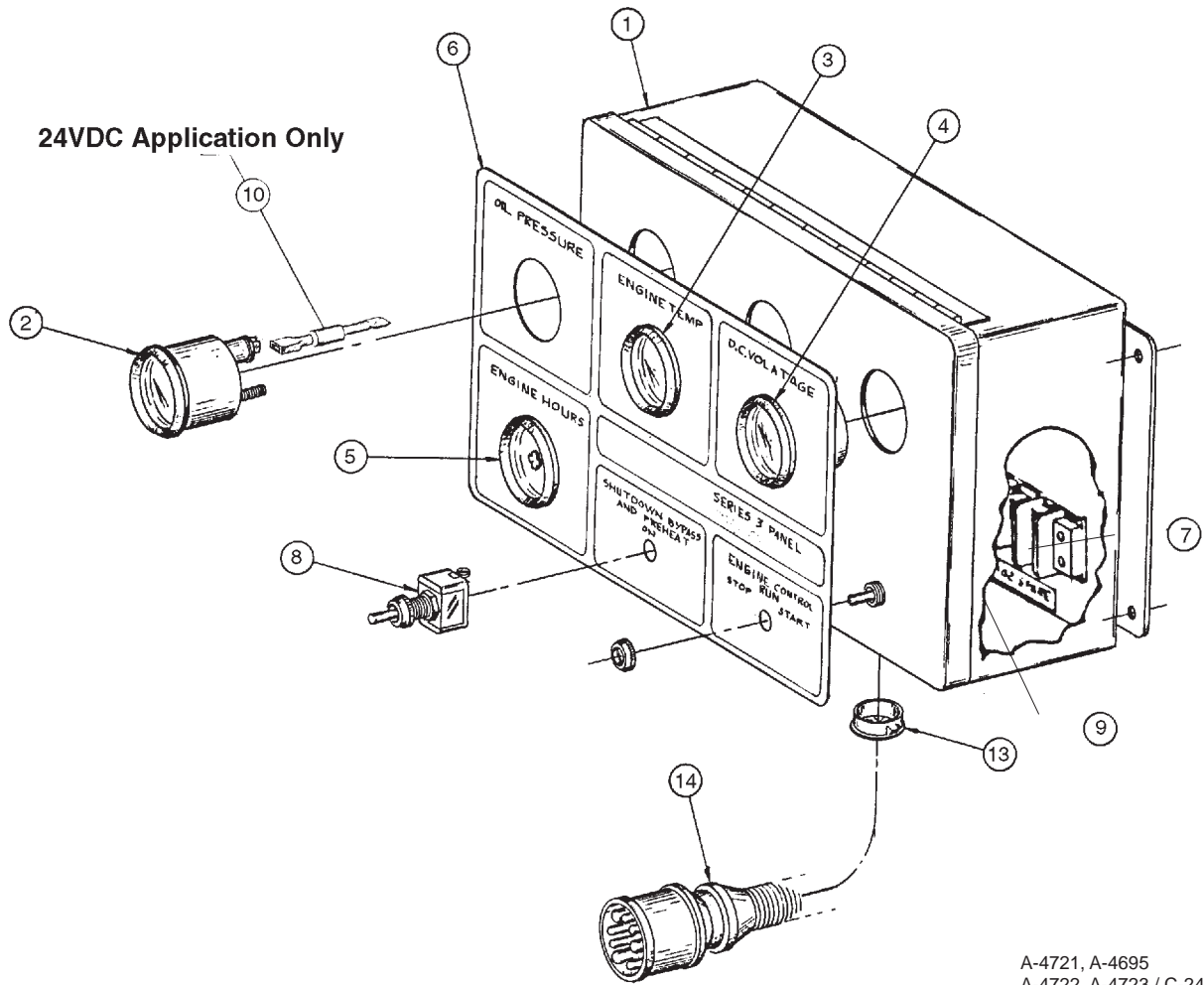


A-4732, A-4597/ C-2441

KEY	PART NUMBER	QTY	DESCRIPTION	SERIAL NUMBER
••	22-92015	1	S-3C Control Panel, 12 Volt (includes all keys)	-
••	22-92014	1	S-3C Control Panel, 24 Volt (includes all keys)	-
1	28-90010	1	Panel Plate	-
2	37-40010	1	Oil Pressure Gauge, 0-80 PSI	-
3	37-40011	1	Engine Temperature Gauge, 0-250° F	-
4	37-40012	1	DC Voltmeter, 12 Volt	-
	37-40014	1	DC Voltmeter, 24 Volt	-
5	37-40013	1	Hourmeter	-
6	22-42024	1	Panel Wire Harness	-
7	12-90007	4	Self Tapping Screw, Oval Head Phillips #6 x 3/4"	-
8	22-41051	2	Toggle Switch	-
9	22-40004	2	Resistor Kit (24 volt panel only)	-
10	22-44852	**	12 Volt Bulb (not shown)	-
	22-44853	**	24 Volt Bulb (not shown)	-
			**As required	

**Surface Mount Dual Station Control Panel 12 & 24 Volt**

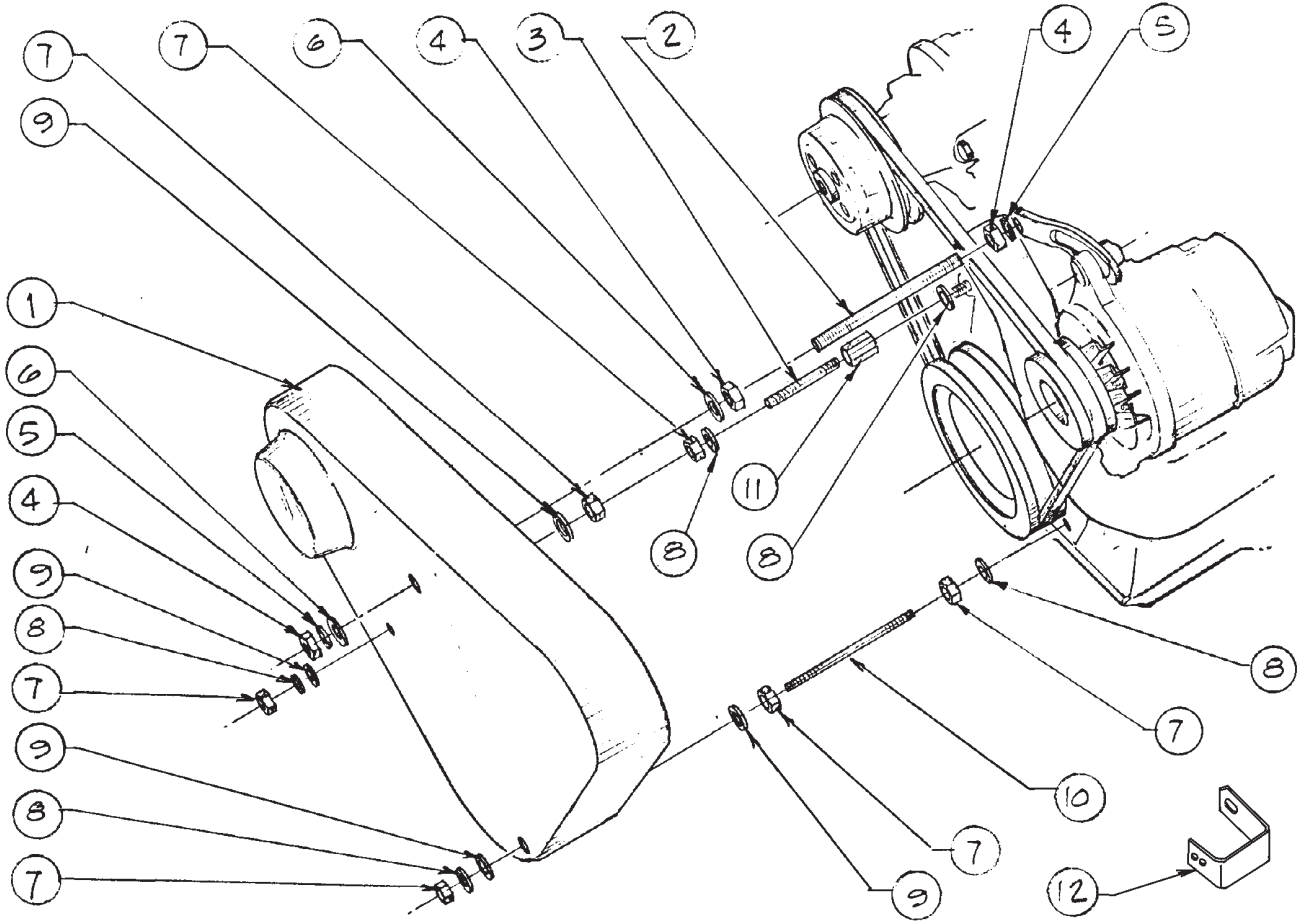
VDO Standard Line Black Bezel Gauges



A-4721, A-4695  
A-4722, A-4723 / C-2470

KEY	PART NUMBER	QTY	DESCRIPTION	SERIAL NUMBER
••	22-92031	1	S-3B Control Panel, 12 Volt (includes all keys)	-
••	22-95420	1	S-3B Control Panel, 24 Volt (includes all keys)	-
1	39-40008	1	Enclosure	-
2	37-40010	1	Oil Pressure Gauge, 0-80 PSI	-
3	37-40011	1	Engine Temperature Gauge, 0-250° F	-
4	37-40012	1	DC Voltmeter, 12 Volt	-
	37-40014	1	DC Voltmeter, 24 Volt	-
5	37-40013	1	Hourmeter	-
6	00-91018	1	Panel Decal	-
7	22-41077	1	Terminal Board	-
8	22-41051	2	Toggle Switch (not shown)	-
9	22-00052	1	Number Strip (not shown)	-
10	22-40004	2	Resistor Kit (24 volt panel only)	-
11	22-44852	**	12 Volt Bulb (not shown)	-
	22-44853	**	24 Volt Bulb (not shown)	-
12	22-40257	1	Wire Harness (not shown)	-
13	00-41015	1	Plastic Bushing	-
14	22-40062	1	Connection Harness	-
			**As required	

**Belt Guard Assembly: M844 & M16C**

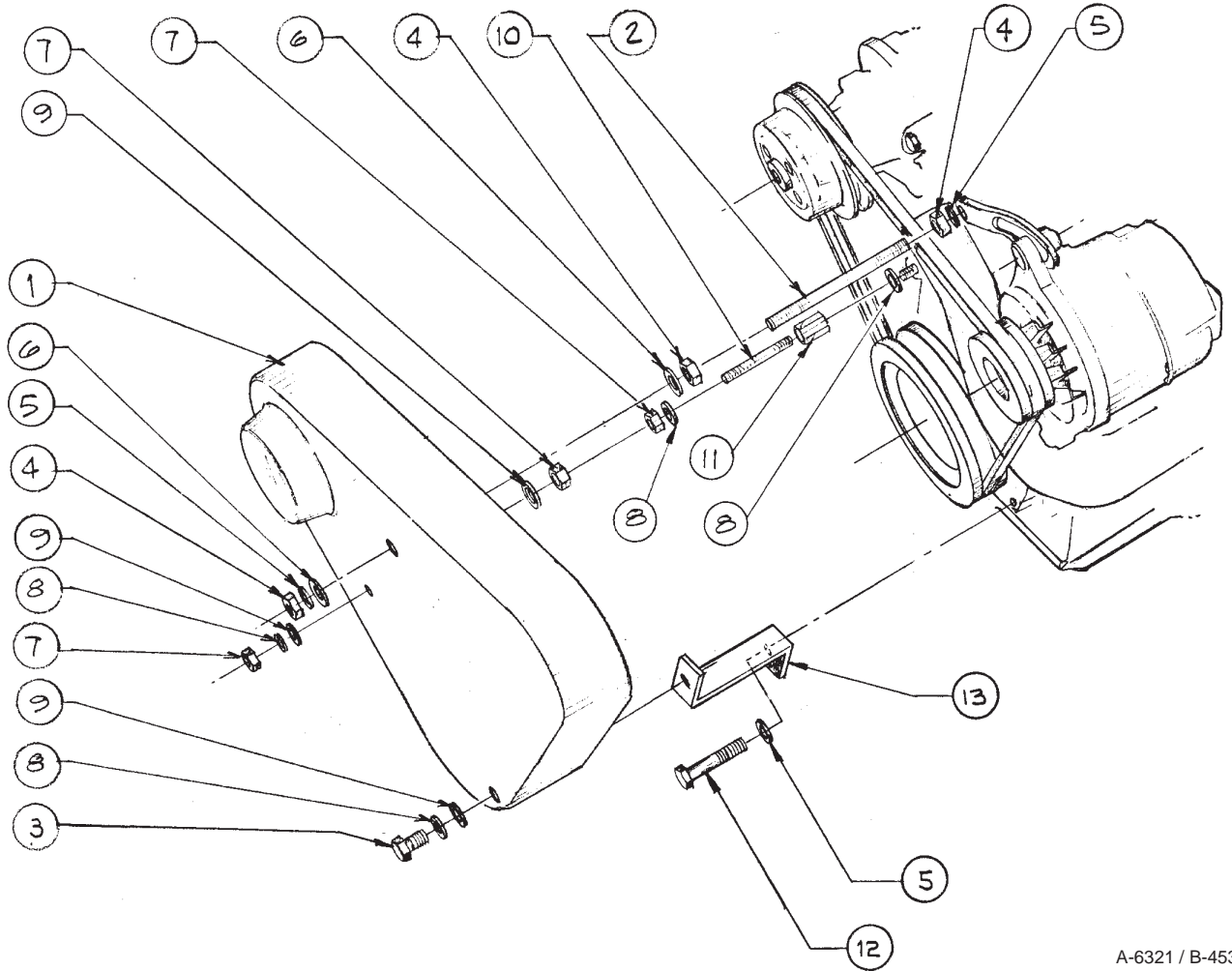


A-5004 / B-3986

KEY	PART NUMBER	QTY	DESCRIPTION	SERIAL NUMBER
1	00-73143	1	Belt Guard (vacuu-formed plastic)	-
	00-73148	1	Belt Guard, Standard Alternator (with PTO)	-
	00-08402	1	Belt Guard, Frame	-
	00-08401	1	Belt Guard, Frame	-
2	13-03101	1	Stud, All Thread M8 x 1.25 x 110 mm	-
3	13-03102	1	Stud, All Thread M6 x 1.0 x 140 mm	-
4	14-00711	3	Hex Nut M8 x 1.25 S/S	-
5	15-00705	2	Lock Washer M8 S/S	-
6	15-00706	2	Flat Washer M8 S/S	-
7	14-01132	6	Hex Nut M6 x 1.0 S/S	-
8	15-00610	5	Lock Washer M6 S/S	-
9	15-01134	4	Flat Washer M6 S/S	-
10	13-03103	1	Stud, All Thread M6 x 1.0 x 70 mm	-
11	14-73100	1	Hex Nut, X-L M6 x 1.0 x 19 mm	-
12	23-78403	**	Bracket (used with 00-73148 only)	-
	23-78402	**	Bracket (used with 00-08401 and 00-08402 only)	-
13	00-73147	1	PTO Guard (not shown)	-

\*\*As required.

**Belt Guard Assembly: M844L & M20CL**



A-6321 / B-4533

KEY	PART NUMBER	QTY	DESCRIPTION	SERIAL NUMBER
1	00-73143	1	Belt Guard, Small Frame Alternators (without PTO)	-
	00-73148	1	Belt Guard, Small Frame Alternators (with PTO)	-
	00-08402	1	Belt Guard, Medium Frame Alternators (without PTO)	-
	00-08401	1	Belt Guard, Medium Frame Alternators (with PTO)	-
2	13-03101	1	Stud, All Thread M8 x 1.25 x 110 mm	-
3	12-01102	1	Capscrew, Hex Head M6 x 1.0 x 16 mm S/S	-
4	14-09711	2	Hex Nut M8 x 1.25 S/S	-
5	15-00705	2	Lock Washer M8 S/S	-
6	15-00706	2	Flat Washer M8 S/S	-
7	14-01132	3	Hex Nut M6 x 1.0 S/S	-
8	15-00610	5	Lock Washer M6 S/S	-
9	15-01134	3	Flat Washer M6 S/S	-
10	13-03103	1	Stud, All Thread M6 x 1.0 x 70 mm	-
11	14-73100	1	Hex Nut, X-L M6 x 1.0 x 19 mm	-
12	12-01124	1	Capscrew, Hex Head M6 x 1.0 x 50 mm	-
13	23-78401	1	Bracket (not used with PTO applications)	-
14	23-78403	**	Bracket (used with 00-73148 only - not shown)	-
	23-78402	**	Bracket (used with 00-08401 and 00-08402 only - not shown)	-
15	00-73147	1	PTO Guard (not shown)	-

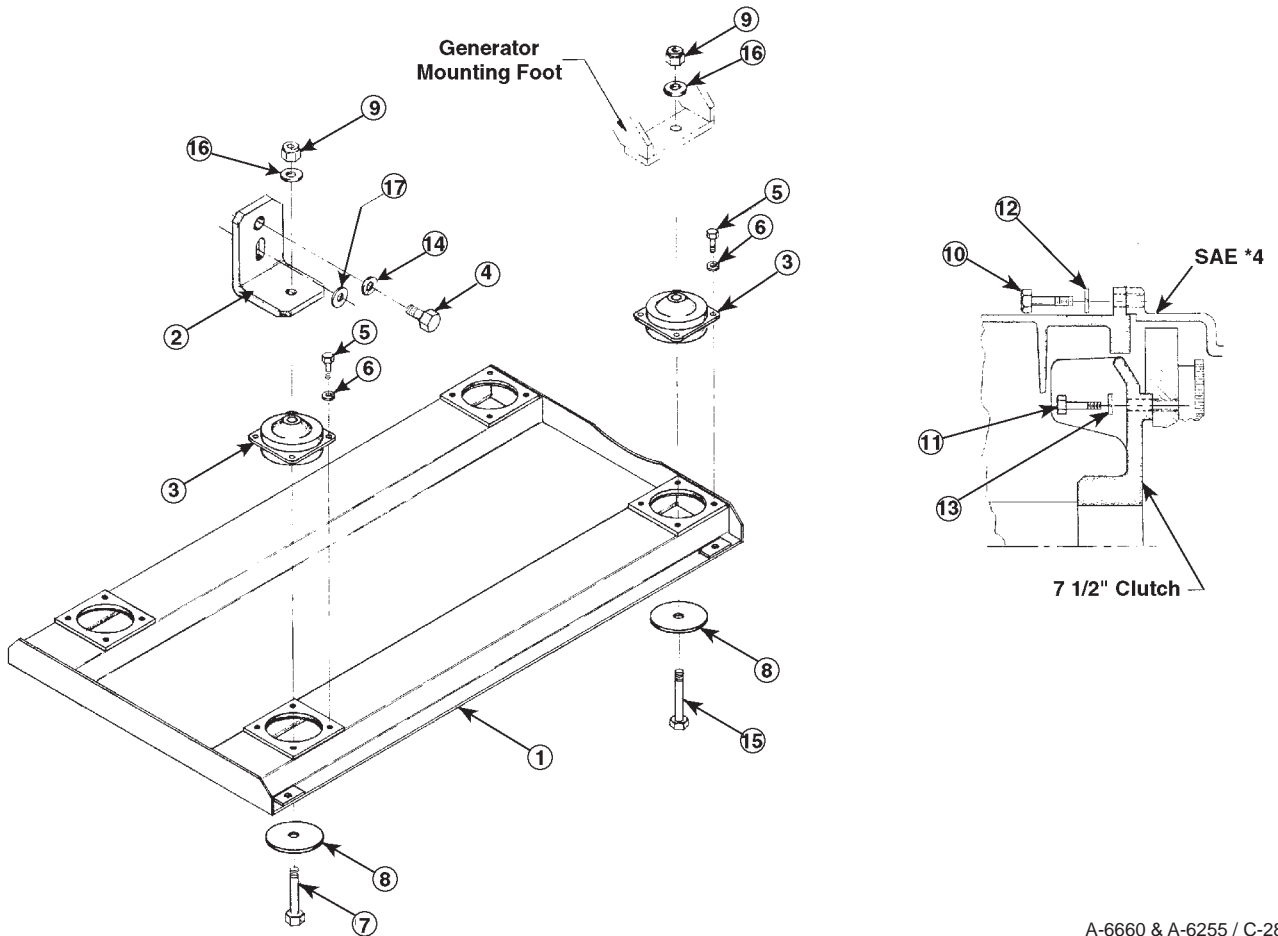
\*\*As required.

**GROUP 6 – GASKET SETS**

<b>Gasket Sets</b>				
KEY	PART NUMBER	QTY	DESCRIPTION	SERIAL NUMBER
••	29-08100	1	Gasket Set – Marine (includes all keys)	-
••	195906940	1	Gasket Set – Industrial (includes keys #1 - 45)	-
1	052100400	1	O-Ring	-
2	052109072	1	O-Ring	-
3	052109076	2	O-Ring	-
4	052109074	1	O-Ring	-
5	198996060	7	Gasket	-
6	135996480	1	Gasket	-
7	135996600	1	Gasket	-
8	198636170	1	Oil Seal	-
9	050209083	1	Oil Seal	-
10	052100100	2	O-Ring	-
11	052100150	1	O-Ring	-
12	025100012	2	Seal Washer	-
13	131426200	4	Gasket	-
14	130326051	5	Gasket	-
15	130516069	4	Gasket	-
16	131296255	2	Gasket	-
17	025100008	2	Seal Washer	-
18	025100016	1	Seal Washer	-
19	130996070	1	Gasket	-
20	131426320	1	Shim Set	-
21	025100010	2	Seal Washer	-
22	145996360	1	Gasket	-
23	145996370	1	Gasket	-
24	145996460	1	Gasket	-
25	165996361	1	Gasket	-
26	165996351	1	Gasket	-
27	052100070	1	O-Ring	-
28	052100050	1	O-Ring	-
29	198636160	1	Oil Seal	-
30	052300600	1	O-Ring	-
31	052300700	1	O-Ring	-
32	052100030	1	O-Ring	-
33	165996110	1	Gasket	-
34	135996720	1	Gasket	-
35	135996780	1	Gasket	-
36	135996550	1	Gasket	-
37	135996530	1	Gasket	-
38	120406050	4	Valve Guide Seal (Ex)	-
39	120406070	4	Valve Guide Seal (In)	-
40	111147200	1	Head Gasket	-
41	111147460	1	Head Gasket	-
42	054109013	1	Gasket	-
43	052300400	1	O-Ring	-
44	110996600	1	Gasket	-
45	145996050	1	Gasket	-
46	11-28101	1	Air Intake Cover Gasket	-
47	11-38101	1	Exhaust Manifold Gasket	-
48	11-13101	1	Thermostat Cover Gasket	-
49	16-13101	1	O-ring	-

**Base Frame Assembly: M - ML844 & 844L**

282/283 & 306/307 Frame Generators



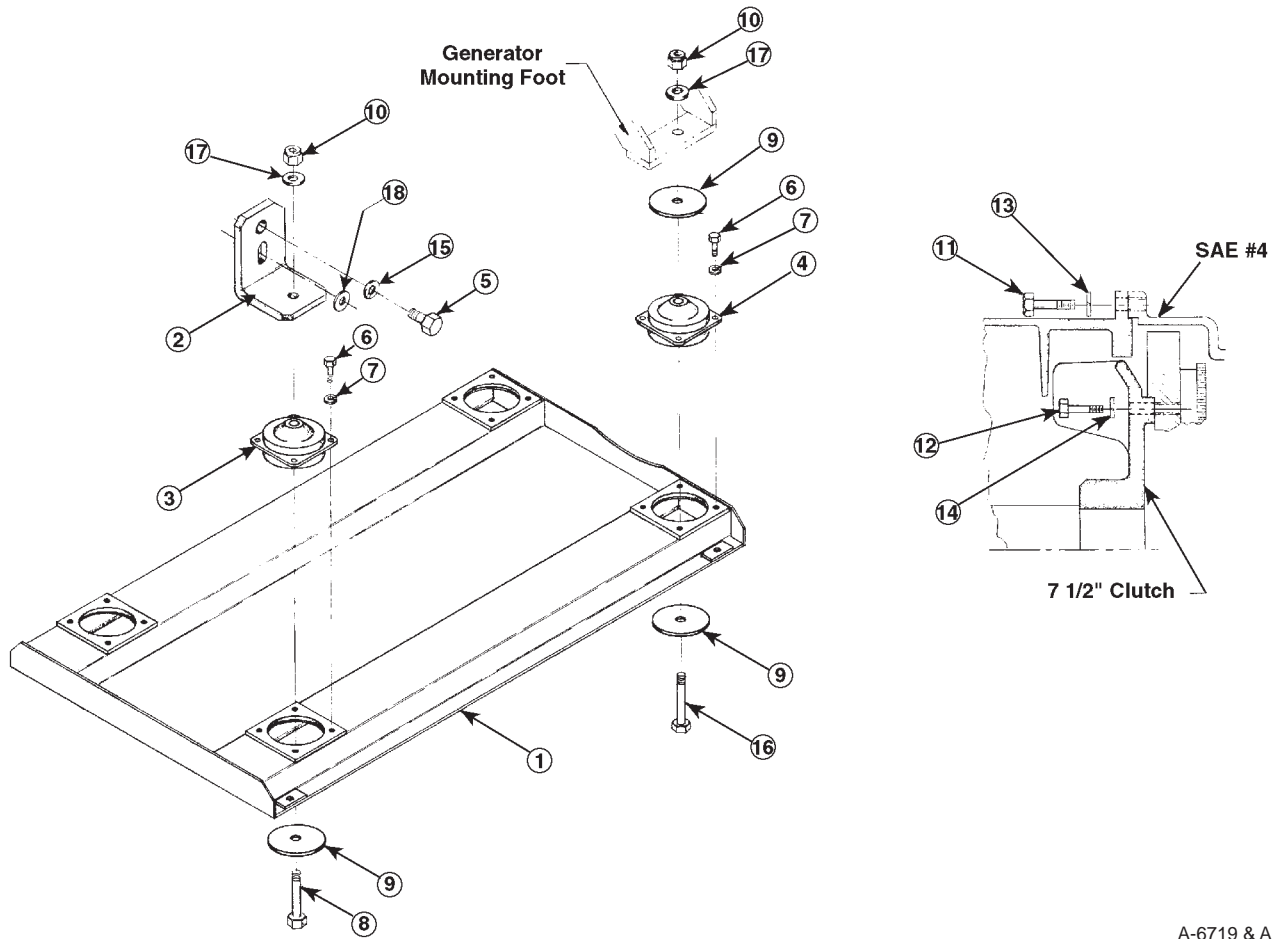
A-6660 & A-6255 / C-2885A

KEY	PART NUMBER	QTY	DESCRIPTION	SERIAL NUMBER
1	39-88401	1	Base Frame, Steel	-
	39-88402	1	Base Frame, Aluminum	-
2	23-88103	2	Bracket	-
3	33-82205	4	Platform Mount (without PTO – front & rear)	-
	33-83106	2	Platform Mount (with PTO – front only)	-
4	12-01100	4	Capscrew, Hex Head M14 x 1.5 x 30 mm	-
5	12-00776	16	Capscrew, Hex Head M8 x 1.25 x 20 mm Stainless Steel	-
6	12-00705	16	Lock Washer M8, Stainless Steel	-
7	12-00502	2	Capscrew, Hex Head 1/2-13 x 3-1/2" Stainless Steel (without PTO)	-
	12-00503	2	Capscrew, Hex Head 1/2-13 x 3-3/4" Stainless Steel (with PTO)	-
8	15-00020	4	Snubbing Washer	-
9	14-00501	4	Hex Nut, Nylock 1/2-13 Stainless Steel	-
10	12-00313	12	Capscrew, Hex Head 3/8-16 x 1-1/4" (306/307 Frame Generators)	-
	12-00314	12	Capscrew, Hex Head 3/8-16 x 1-1/2" (282/283 Frame Generators)	-
11	12-00214	8	Capscrew, Hex Head 5/16-18 x 1-1/2" (306/307 Frame Generators)	-
	12-00209	8	Capscrew, Hex Head 5/16-18 x 3/4" (282/283 Frame Generators)	-
12	15-00302	12	Lock Washer 3/8	-
13	15-00202	8	Lock Washer 5/16	-
14	15-01402	4	Lock Washer M14	-
15	12-00503	2	Capscrew, Hex Head 1/2-13 x 3-3/4" Stainless Steel	-
16	15-00505	4	Flat Washer 1/2 Stainless Steel	-
17	15-01401	2	Flat Washer M14	-



**Base Frame Assembly: MY844 & 844L**

**184 Frame Generators**

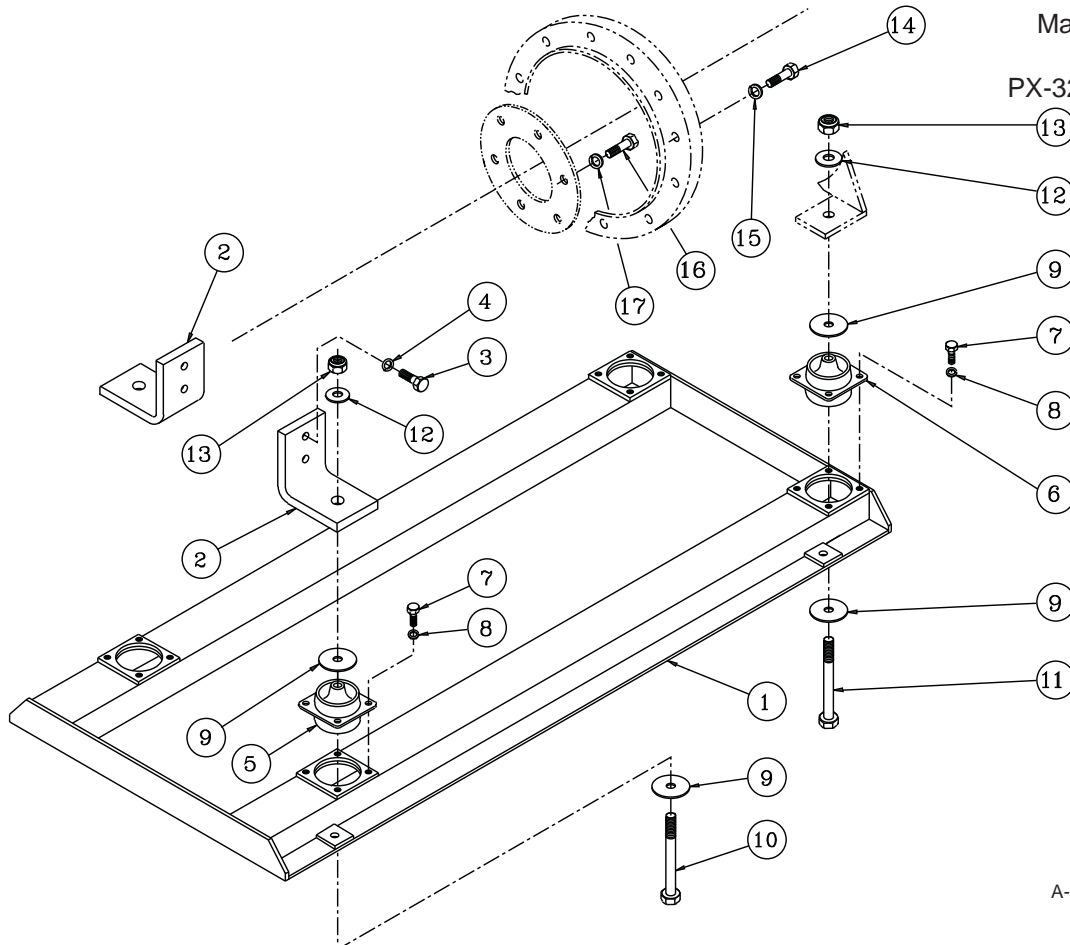


A-6719 & A-6678

KEY	PART NUMBER	QTY	DESCRIPTION	SERIAL NUMBER
1	39-88403	1	Base Frame, Steel	-
	39-88404	1	Base Frame, Aluminum	-
2	23-88103	2	Bracket	-
3	33-82205	2	Platform Mount (without PTO)	-
	33-83106	2	Platform Mount (with PTO)	-
4	33-82206	2	Platform Mount	-
5	12-01100	4	Capscrew, Hex Head M14 x 1.5 x 30 mm	-
6	12-00776	16	Capscrew, Hex Head M8 x 1.25 x 20 mm Stainless Steel	-
7	15-00705	16	Lock Washer M8, Stainless Steel	-
8	12-00502	2	Capscrew, Hex Head 1/2-13 x 3-1/2" Stainless Steel	-
	12-00503	2	Capscrew, Hex Head 1/2-13 x 3-3/4" Stainless Steel	-
9	15-00020	6	Snubbing Washer	-
10	14-00501	4	Hex Nut, Nylock 1/2-13 Stainless Steel	-
11	12-00313	8	Capscrew, Hex Head 3/8-16 x 1-1/4"	-
12	12-00214	8	Capscrew, Hex Head 5/16-18 x 1-1/2"	-
13	15-00302	8	Lock Washer 3/8	-
14	15-00202	8	Lock Washer 5/16	-
15	15-01402	4	Lock Washer M14	-
16	12-00503	2	Capscrew, Hex Head 1/2-13 x 3-1/2" Stainless Steel	-
17	15-00505	4	Flat Washer 1/2 Stainless	-
18	15-01401	2	Flat Washer M14	-
19	00-71614	2	Grommet 1-5/8"ID x 2-1/4"OD (not shown)	-

**Base Frame Assembly**

Marine Application  
- PX-316K &  
PX-320K Generators

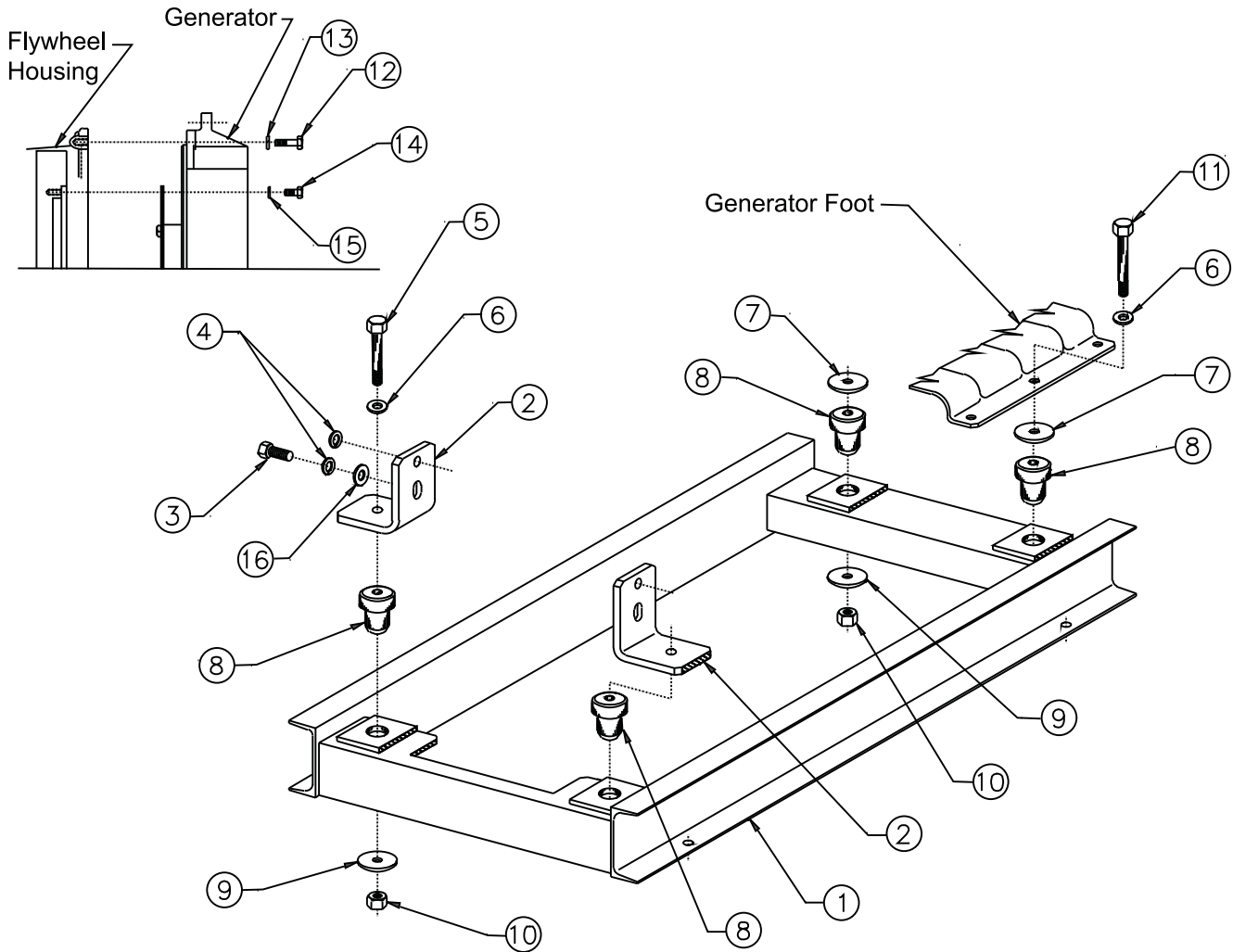


A-7894 & A-7895/ D-3012

KEY	PART NUMBER	QTY	DESCRIPTION	SERIAL NUMBER
1	39-88108	1	Base Frame, Steel (316 Frame Generators)	-
	39-88113	1	Base Frame, Aluminum (316 Frame Generators)	-
	39-88109	1	Base Frame, Steel (320 Frame Generators)	-
	39-88407	1	Base Frame, Aluminum (320 Frame Generators)	-
2	23-88104	2	Bracket	-
3	12-59100	4	Capscrew, Hex Head M14 x 1.5 x 30 mm S/S	-
4	15-09402	4	Lock Washer M14 S/S	-
5	33-85402	2	Platform Mount, 220 lb. (316 Frame Generators)	-
	33-83106	2	Platform Mount, 310 lb. (320 Frame Generators)	-
6	33-85402	2	Platform Mount, 220 lb. (316 Frame Generators)	-
	33-83106	2	Platform Mount, 310 lb. (320 Frame Generators)	-
7	12-00776	16	Capscrew, Hex Head M8 x 1.25 x 20 mm S/S	-
8	12-00705	16	Lock Washer, Helical M8 S/S	-
9	15-00020	8	Snubbing Washer	-
10	12-00501	2	Capscrew, Hex Head 1/2-13 x 3" S/S (316 Frame Generators)	-
	12-00503	2	Capscrew, Hex Head 1/2-13 x 3-3/4" S/S (320 Frame Generators)	-
11	12-00501	2	Capscrew, Hex Head 1/2-13 x 3" S/S (316 Frame Generators)	-
	12-00503	2	Capscrew, Hex Head 1/2-13 x 3-3/4" S/S (320 Frame Generators)	-
12	15-00505	4	Flat Washer 1/2 S/S	-
13	14-00501	4	Hex Nut, Nylock 1/2-13 S/S	-
14	12-00313	12	Capscrew, Hex Head 3/8-16 x 1-1/4"	-
15	15-00302	12	Lock Washer, Helical 3/8	-
16	12-00214	8	Capscrew, Hex Head 5/16-18 x 1-1/2"	-
17	15-00202	8	Lock Washer, Helical 5/16	-

**Base Frame Assembly M16C & M20CL**

184 Frame Generators

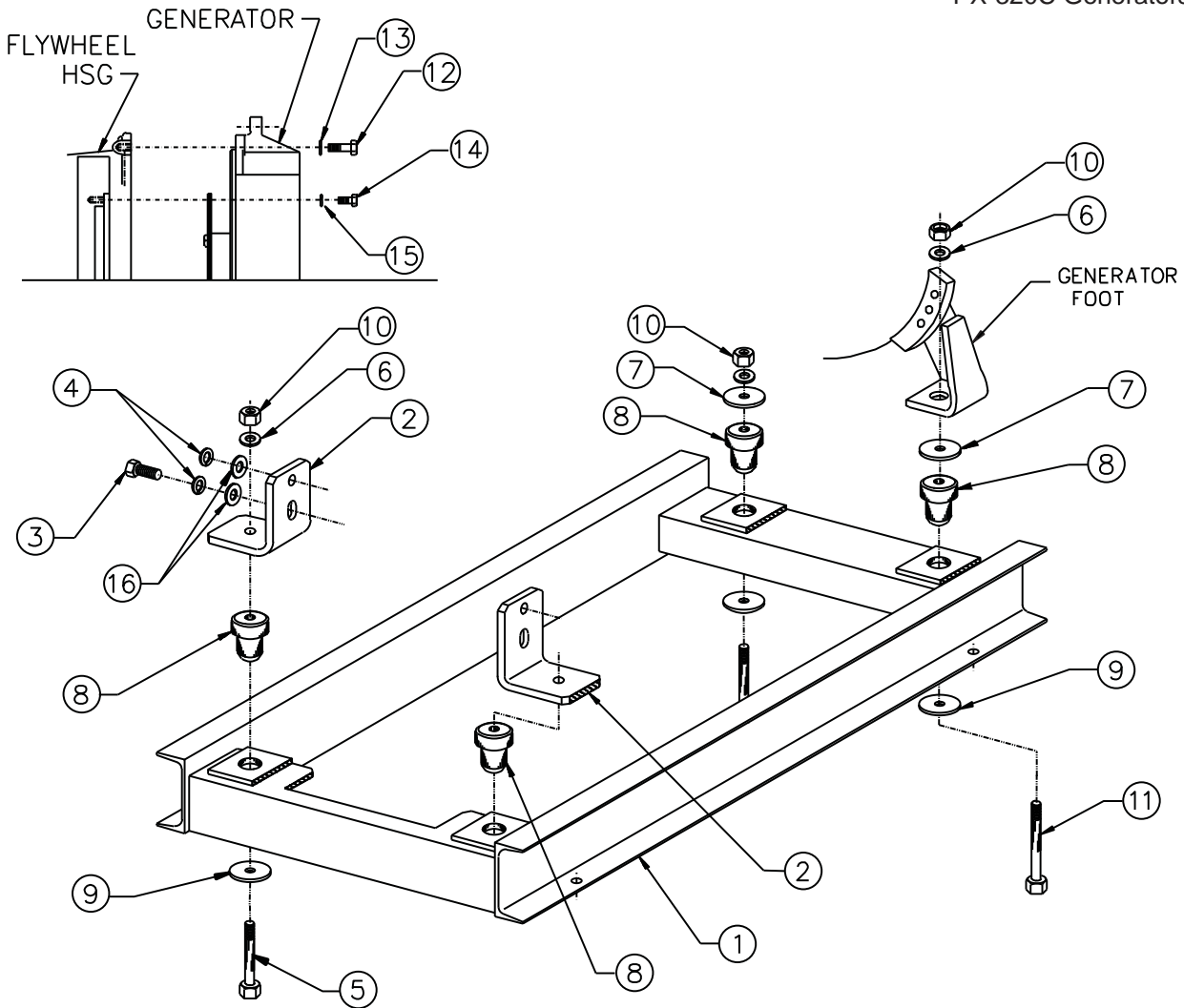


A-6427/ D-2458

KEY	PART NUMBER	QTY	DESCRIPTION	SERIAL NUMBER
1	39-88106	1	Base Frame	-
2	23-88103	2	Bracket	-
3	12-01100	4	Capscrew, Hex Head M14 x 1.5 x 30 mm	-
4	15-01402	4	Lock Washer M14	-
5	12-00552	2	Capscrew, Hex Head 1/2- 13 x 3- 1/2"	-
6	15-00504	4	Flat Washer 1/2 SAE	-
7	15-00016	2	Head Washer	-
8	33-82254	4	Mount	-
9	15-00026	4	Tail Washer	-
10	14-00512	4	Hex Nut, Nylock 1/2-13	-
11	12-00550	2	Capscrew, Hex Head 1/2- 13 x 3	-
12	12-00313	8	Capscrew, Hex Head 3/8- 16 x 1- 1/4	-
13	15-00302	8	Lock Washer 3/8	-
14	12-00209	8	Capscrew, Hex Head 5/16-18 x 3/4	-
15	15-00202	8	Lock Washer 5/16	-
16	15-01410	2	Flat Washer M14	-

**Base Frame Assembly M20CR**

PX-320C Generators

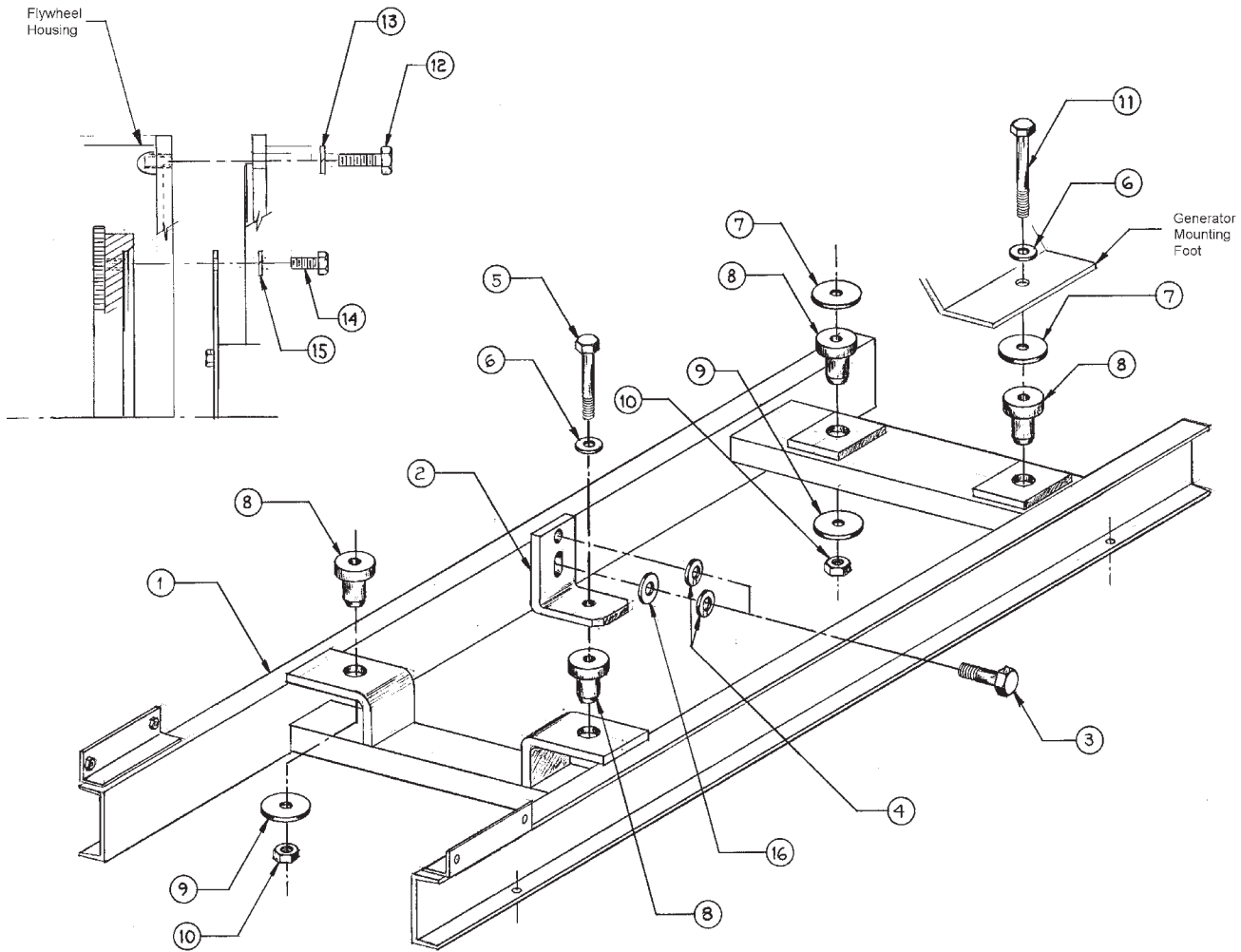


A-9412/ D-3649

KEY	PART NUMBER	QTY	DESCRIPTION	SERIAL NUMBER
1	39-88408	1	Base Frame	-
2	23-88104	2	Bracket	-
3	12-59100	4	Capscrew, Hex Head M14 x 1.5 x 30 mm S/S	-
4	15-09402	4	Lock Washer M14 S/S	-
5	12-09922	2	Capscrew, Hex Head M12 x 1.75 x 90 mm S/S	-
6	15-09007	4	Flat Washer M12 S/S	-
7	15-00016	2	Head Washer	-
8	33-82254	4	Mount, Centerbonded 300 lbs.	-
9	15-00026	4	Tail Washer	-
10	14-09830	4	Hex Nut, Nylock M12 x 1.75 S/S	-
11	12-95501	2	Capscrew, Hex Head M12 x 1.75 x 75 mm S/S	-
12	12-00313	8	Capscrew, Hex Head 3/8- 16 x 1- 1/4	-
13	15-00302	8	Lock Washer 3/8	-
14	12-00214	8	Capscrew, Hex Head 5/16-18 x 1-1/2"	-
15	15-00202	8	Lock Washer 5/16	-
16	15-09401	4	Flat Washer M14	-

**Base Frame Assembly: NL844 & NL844L**

184 Frame Generators

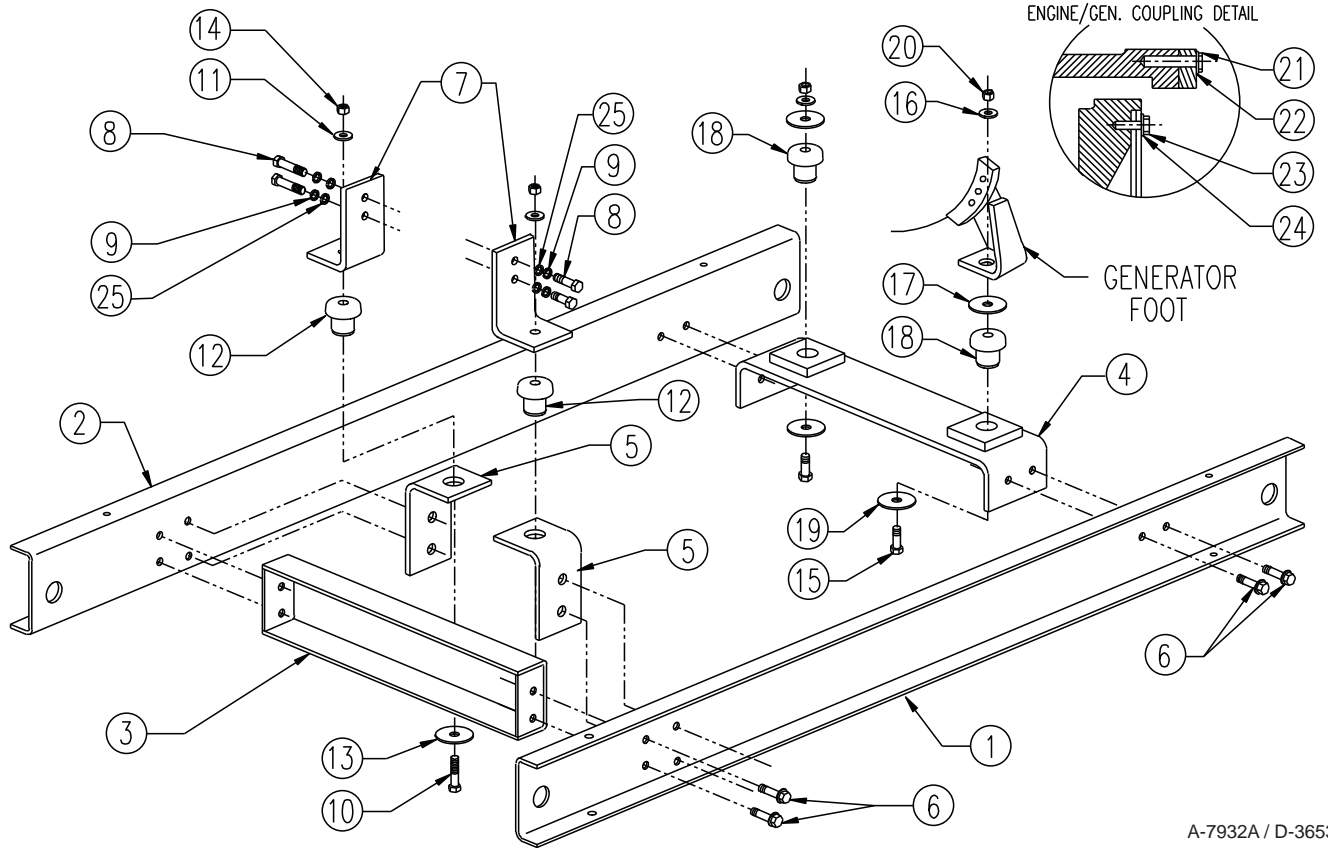


A-6383, A-6307 / D-2452

KEY	PART NUMBER	QTY	DESCRIPTION	SERIAL NUMBER
1	39-88104	1	Base Frame (BC184 frame generator)	-
	39-88103	1	Base Frame (UC184 frame generator)	-
2	23-88103	2	Bracket	-
3	12-01100	4	Capscrew, Hex Head M14 x 1.5 x 30 mm	-
4	15-01402	4	Lock Washer M14	-
5	12-00552	2	Capscrew, Hex Head 1/2-13 x 3-1/2"	-
6	15-00504	4	Flat Washer 1/2" SAE	-
7	15-00016	2	Head Washer	-
8	33-82254	4	Mount	-
9	15-00026	4	Tail Washer	-
10	14-00512	4	Hex Nut, Nylock 1/2-13	-
11	12-00550	2	Capscrew, Hex Head 1/2-13 x 3"	-
12	12-00313	8	Capscrew, Hex Head 3/8-16 x 1-1/4"	-
13	15-00302	8	Lock Washer 3/8	-
14	12-00209	8	Capscrew, Hex Head 5/16-18 x 3/4"	-
15	15-00202	8	Lock Washer 5/16	-
16	15-01401	2	Flat Washer M14	-

**Base Frame Assembly**

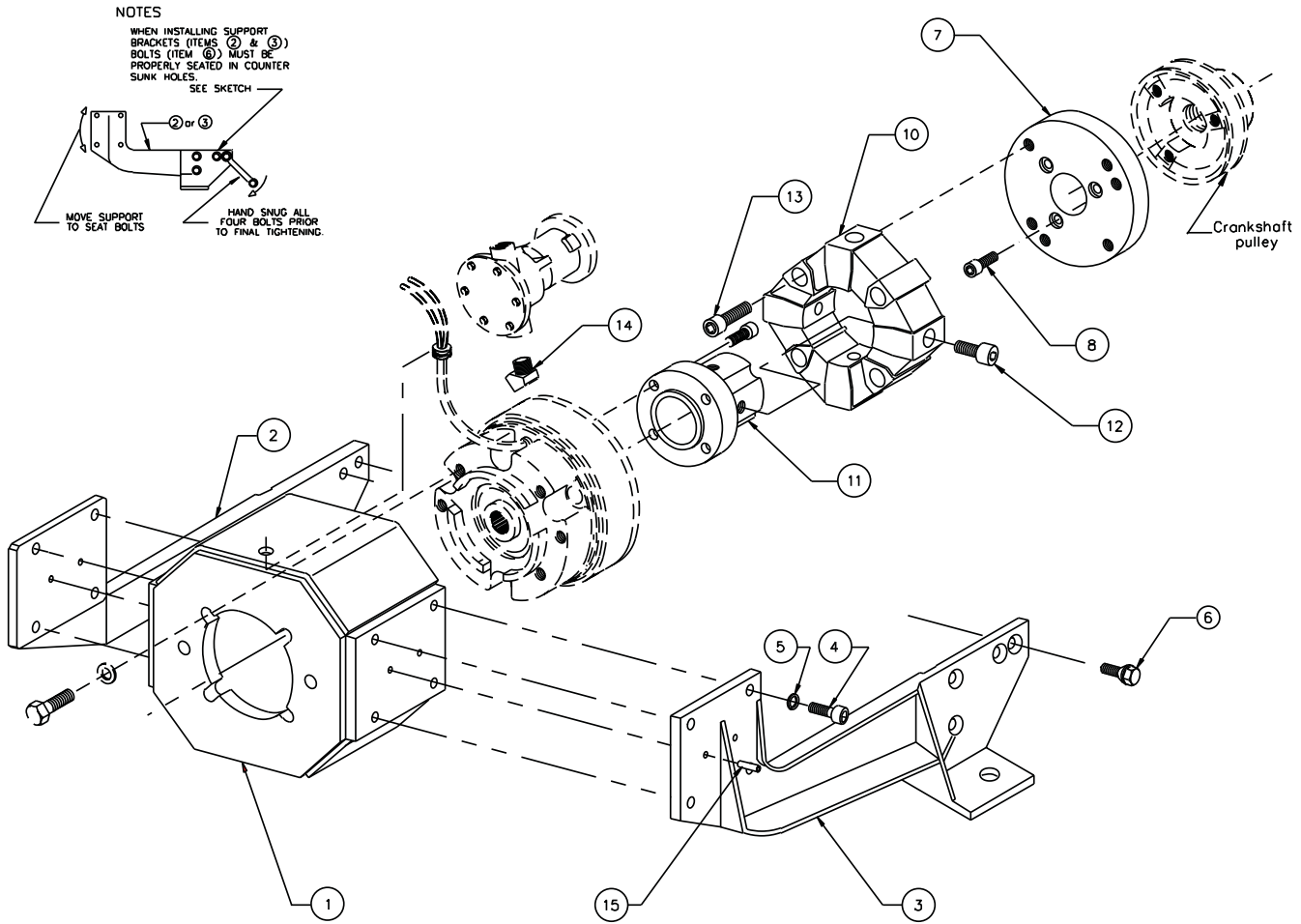
Industrial Application - NL844LK with PX-320K



A-7932A / D-3653

KEY	PART NUMBER	QTY	DESCRIPTION	SERIAL NUMBER
1	39-88411	1	Side Rail, Left Hand	-
2	39-88412	1	Side Rail, Right Hand	-
3	39-88413	1	Cross Member Forward	-
4	39-68406	1	Generator Support	-
5	23-88406	2	Bracket, Lower Engine Support	-
6	01435-01020	12	Capscrew, Hex Head Flanged M10 x 1.5 x 20 mm	-
7	23-88104	2	Bracket, Front Engine Mounting	-
8	12-01100	4	Capscrew, Hex Head M14 x 1.5 x 30 mm	-
9	15-01402	4	Lock Washer M14	-
10	12-00817	2	Capscrew, Hex Head M10 x 1.5 x 55 mm	-
11	15-00805	2	Flat Washer M10	-
12	33-83151	2	Mount, Centerbonded 200 lb.	-
13	15-00014	2	Head/ Tail Washer	-
14	14-00812	2	Hex Nut, Nylock M10 x 1.5	-
15	12-00922	2	Capscrew, Hex Head M12 x 1.75 x 90 mm	-
16	15-00007	2	Flat Washer M12	-
17	15-00016	2	Head Washer	-
18	33-82254	2	Mount, Centerbonded 300 lb.	-
19	15-00026	2	Tail Washer	-
20	14-00830	2	Hex Nut, Nylock	-
21	12-00313	12	Capscrew, Hex Head 3/8- 16 x 1- 1/4"	-
22	15-00302	12	Lock Washer	-
23	12-00214	8	Capscrew, Hex Head 5/16- 18 x 1- 1/2"	-
24	15-00202	8	Lock Washer	-
25	15-01401	2	Flat Washer	-

**PTO Adapter Parts M844- 844L**

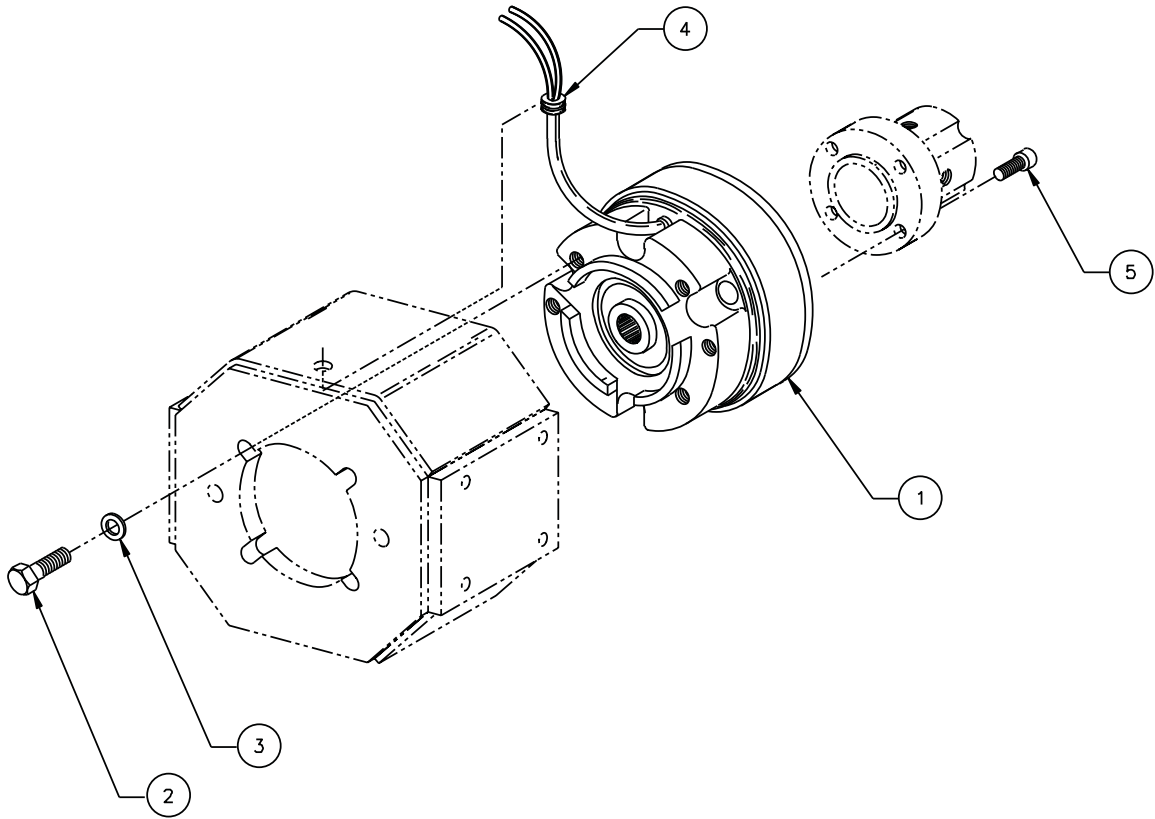


A-6560C / D-3154

KEY	PART NUMBER	QTY	DESCRIPTION	SERIAL NUMBER
1	10-65401	1	PTO Clutch Housing	-
2	23-68101	1	PTO Support Bracket, Right Hand	-
3	23-68102	1	PTO Support Bracket, Left Hand	-
4	12-00831	8	Capscrew, Hex Head M10 x 1.5 x 25 mm	-
5	15-00804	8	Wave Washer M10	-
6	12-68101	6	Capscrew, Hex Head with Tapered Seat M14 x 1.5 x 30 mm	-
7	31-68101	1	PTO Drive Adapter	-
8	12-20912	3	Capscrew, Socket head M12 x 1.75 x 25 mm	-
9	15-04802	3	Lock Washer Hi-collar M12	-
10	34-65406	1	Coupling Assembly	-
11	34-65407	1	Hub	-
12	12-20920	4	Capscrew, Socket Head M12 x 1.75 x 40 mm	-
13	12-20914	4	Capscrew, Socket Head M12 x 1.75 x 35 mm	-
14	21-00128	1	Street Elbow, Brass 1/2 NPT x 1/2 NPT	-
15	32-60001	4	Taper Pin #4 x 1"	-

**Electric Clutch**

H-28 B-Spline 12 & 24 Volt

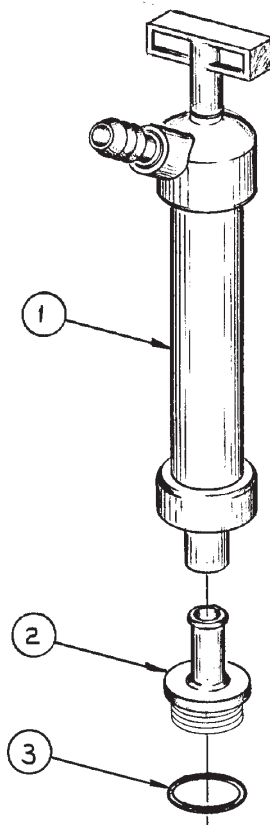


A-6291, A-6346 / C-3020

KEY	PART NUMBER	QTY	DESCRIPTION	SERIAL NUMBER
1	34-60031	1	Electric Clutch Assembly (12 Volt)	-
	34-60032	1	Electric Clutch Assembly (24 Volt)	-
2	12-00513	4	Capscrew, Hex Head 1/2- 13 x 1- 1/4	-
3	15-00007	4	Flat Washer M12	-
4	00-61003	1	Grommet	-
5	12-63800	4	Capscrew, Socket Head 3/8- 24 x 3/4	-



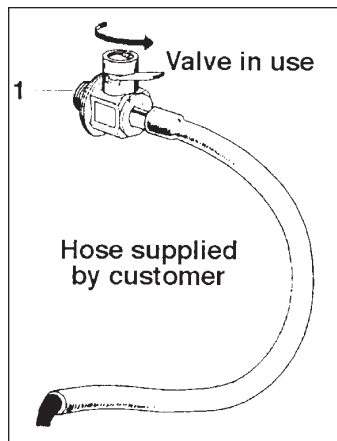
**Oil Drain Kit: M844, M844L & M20CL**



A-5024 / B-3990

KEY	PART NUMBER	QTY	DESCRIPTION	SERIAL NUMBER
••	34-70010	1	Oil Drain Kit Complete (includes all keys)	-
1	36-72002	1	Hand Pump	-
2	31-70001	1	Adapter, Oil Drain	-
3	16-70001	1	O-ring	-

**Oil Drain Kit: NL844L**

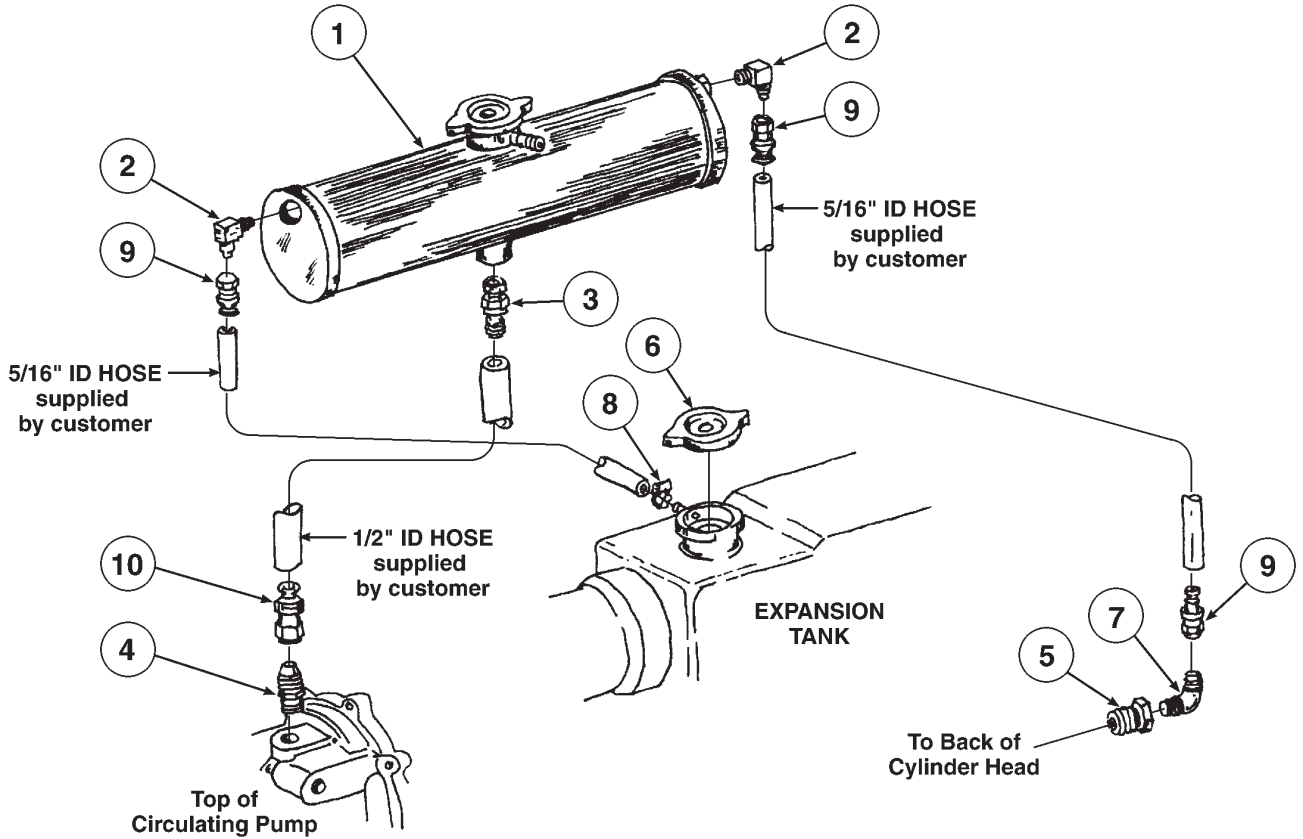


A-6480

KEY	PART NUMBER	QTY	DESCRIPTION	SERIAL NUMBER
1	36-72003	1	Drain Valve	-

**Remote Expansion Tank**

Early Production

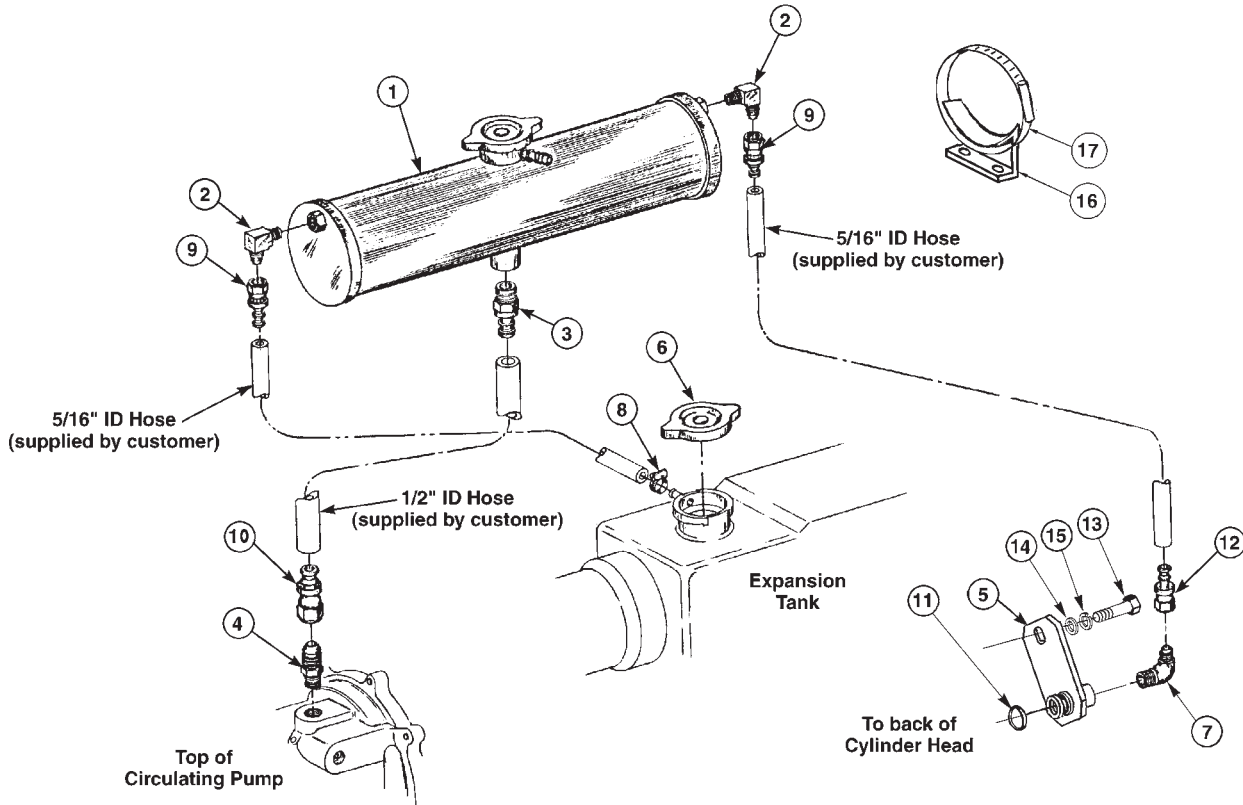


A-5931A / D-2345

KEY	PART NUMBER	QTY	DESCRIPTION	SERIAL NUMBER
1	10-12002	1	Tank Assembly (includes Keys #11 - #12)	-
2	21-52245	2	Male Elbow, Brass 1/4 NPT x 5/16-45T	-
3	21-51093	1	Male Connector, Brass 1/2 NPT x 1/2 HB	-
4	21-71093	1	Male Connector, Brass 3/8 NPT x 1/2 HB	-
5	21-65005	1	Bushing, Steel 1" NPT x 3/8 NPT	-
6	21-12008	1	Filler Cap	-
7	21-01013	1	Male Elbow, 90° Brass 3/8 NPT x 5/16-45T	-
8	19-00004	1	Hose Clamp #4	-
9	21-71056	3	Female Swivel, Brass 5/16 HB x 5/16-45T	-
10	21-71042	1	Female Swivel, Brass 1/2 HB x 1/2-45T	-
11	23-75404	2	Bracket, Tank Mtg.	-
12	19-00064	2	Hose Clamp	-

**Remote Expansion Tank**

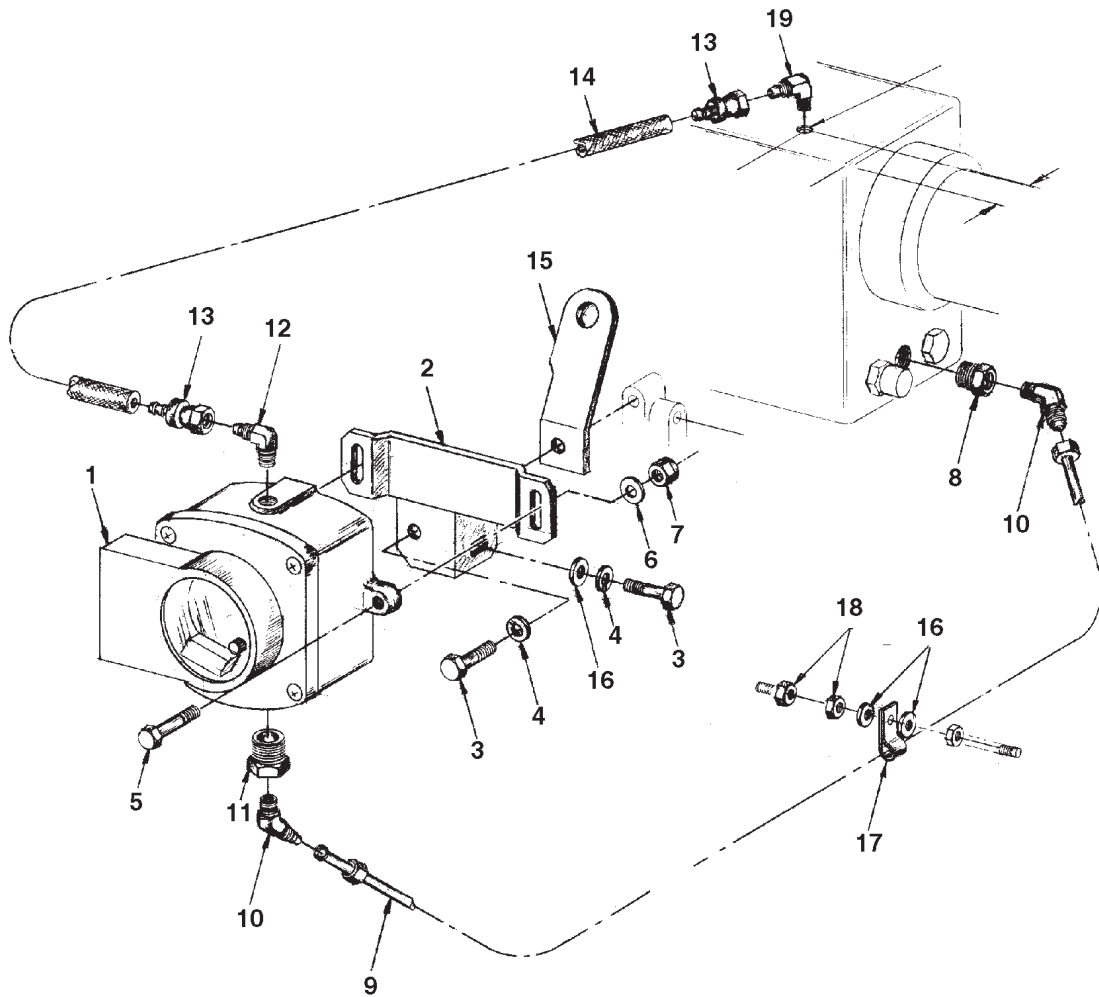
Late Production



A-7463/ D-2345

KEY	PART NUMBER	QTY	DESCRIPTION	SERIAL NUMBER
1	10-12002	1	Tank Assembly (includes keys #2, 11 - 12)	-
2	21-52245	2	Male Elbow, Brass 1/4 NPT x 5/16- 45T	-
3	21-51093	1	Male Connector, Brass 1/2 NPT x 1/2 HB	-
4	21-71093	1	Male Connector, Brass 3/8 NPT x 1/2 HB	-
5	31-12001	1	Port Adapter (requires #11)	-
6	21-12008	1	Filler Cap	-
7	21-10030	1	Male Elbow, 90° Brass 3/8 Port x 5/16- 37T	-
8	19-00004	1	Hose Clamp #4	-
9	21-71056	2	Female Swivel, Brass 5/16 HB x 5/16- 45T	-
10	21-71042	1	Female Swivel, Brass 1/2 HB x 1/2- 45T	-
11	16-90001	1	O-ring	-
12	21-70007	1	Female Swivel, Brass 5/16 HB x 5/16- 37T	-
13	12-00751	1	Capscrew, Hex Head M8 x 1.25 x 16 mm	-
14	21-00701	1	Flat Washer M8	-
15	15-00702	1	Lock Washer M8	-
16	23-75404	2	Mounting Foot	-
17	19-00064	2	Hose Clamp #64 (for tank mounting)	-

Low Water Level Switch/Gauge



A-5847 / C-2837

KEY	PART NUMBER	QTY	DESCRIPTION	SERIAL NUMBER
1	22-10003	1	Water Level Switch / Gauge, Isolated Ground	-
2	23-73106	1	Bracket	-
3	12-00712	2	Capscrew, Hex Head M8 x 1.25 x 25 mm	-
4	15-00702	2	Lock Washer, Helical M8	-
5	12-00031	2	Capscrew, Hex Head M6 x 1.0 x 25 mm	-
6	15-00008	2	Flat Washer M6	-
7	14-04803	2	Hex Nut, Nylock M6 x 1.0	-
8	21-00010	1	Bushing, Steel 3/8NPT x 1/4NPT	-
9	27-13101	1	Tube Assembly	-
10	21-05404	1	Male Elbow, 45° Steel 1/4NPT x 1/4-37T	-
11	21-00135	1	Bushing, Brass 1/2NPT x 1/4NPT	-
12	21-71049	1	Male Elbow, 90° Steel 1/4NPT x 1/4-37T	-
13	31-80002	2	Female Swivel, 1/4HB x 1/4-37T	-
14	18-52205	1	Hose 1/4"ID x 13"	-
15	00-73146	1	Lifting Eye	-
16	15-00701	3	Flat Washer M8	-
17	19-72251	1	Adelle Clamp	-
18	14-00711	2	Hex Nut M8 x 1.25	-
19	21-71053	1	Male Elbow 90° Steel 1/8NPT x 1/4-37T	-



4420 14th Ave. NW., Seattle WA 98107

Tel: (206) 789-3880 • 1-800-762-0165 • Fax: (206) 782-5455

Northern Lights and Lugger are registered trademarks of Northern Lights, Inc.

© 2003 All rights reserved. Litho USA.