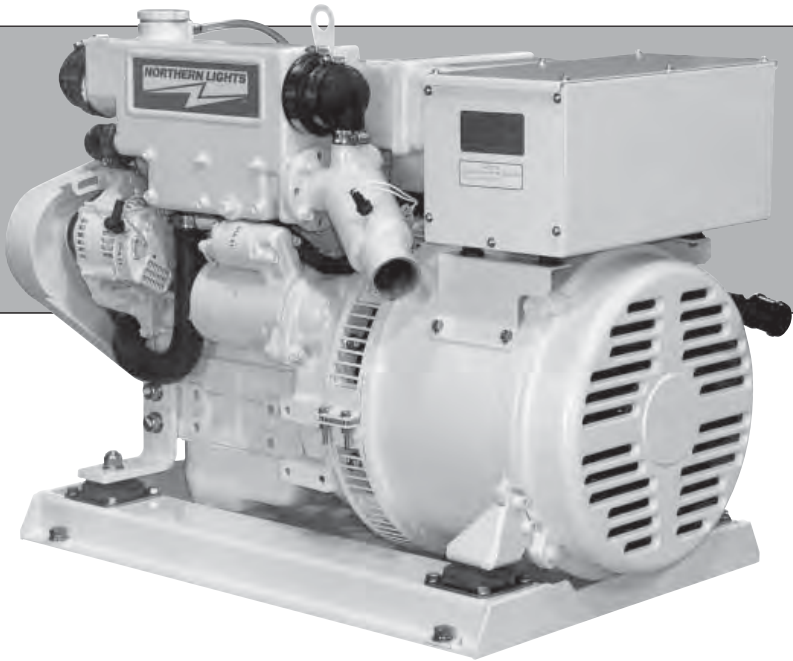


For your convenience, Diesel Specialists is providing access to this Northern Lights Parts Catalog to assist you with purchasing the correct parts for your generator or engine.

Any of the parts listed in this catalog are available for purchase from the Northern Lights Generator Parts website.

Use the PDF search function to search the catalog: press CTRL + F and the search box will appear.

Once you have located the part number in the catalog, return to the Northern Lights Generator Parts website and type the part number in the Store Search Box. Then, add the item to your shopping cart to complete your purchase.



P753K

For Models: M753K, NL753K,
M753W, and NL753W

PARTS MANUAL

Marine Generators | Marine Diesel Engines | Land-Based Generators



LUGGER





— CALIFORNIA —

Proposition 65 Warning:

Diesel engine exhaust and some of its constituents are known to the State of California to cause cancer, birth defects, and other reproductive harm.



www.northern-lights.com

4420 14th Ave. NW., Seattle WA 98107

Tel: (206) 789-3880 • 1-800-762-0165

• Fax: (206) 782-5455

Northern Lights and Lugger are registered trademarks of Northern Lights, Inc.

© 2011 All rights reserved. Litho USA.

PARTS CATALOG

for Models
M753K, NL753K, M753W, AND NL753W

Please read thoroughly before attempting to use this manual:

Table of Contents	I
Model Designation & Serial Numbers	II
Reading a Parts Page	III

Table of Contents

GROUP 1 - ENGINE

Cylinder Block	0 - 1
Camshaft and Pistons	2 - 3
Oil Pump and Strainer	4
Camshaft	5
Timing Gear Case	6 - 7
Cylinder Head	8 - 10

GROUP 2 - INTAKE & EXHAUST SYSTEM

Intake Air Filter	1 - 2
Intake and Air Filter, Marine	3
Muffler Assembly	4

GROUP 3 - COOLING SYSTEM

Exhaust Manifold and Heat Exchanger with Raw Water Pump	0 - 1
Cooling Pump	2
Raw Water Pump Assembly	3
Radiator and Guard	4 - 5

GROUP 4 - FUEL SYSTEM

Fuel Injection Pump and Lines	0 - 1
Fuel Filter and Piping	2 - 3
Fuel Line Connections	4 - 5
Injector	6
Fuel Feed Pump	7

GROUP 5 - ELECTRICAL SYSTEM

Engine Electrical:	
12 Volt	0
24 Volt	1
Alternator and Mounting	2
Starting Motor	3
Alternator	4
Control Panels	5 - 10
Belt Guard	11

GROUP 6 - GASKET SETS

Gasket Sets	0
-------------------	---

GROUP 8 - FRAME & MOUNTING

Marine Base Frame Assembly	1
Industrial Base Frame Assembly	2

GROUP 9 - ACCESSORIES & OPTIONAL EQUIPMENT

Oil Drain	1
Dry Exhaust Adapter - Keel Cooled	2
Remote Expansion Tank	3 - 4
Coolant Recovery Tank	5

Proprietary Information

This publication is the property of Northern Lights, Inc.
It may not be reproduced in whole or in part without the written permission of Northern Lights, Inc.
© Northern Lights, Inc. All rights reserved. Litho U.S.A. Publication number P753K 02/11

Model Designation

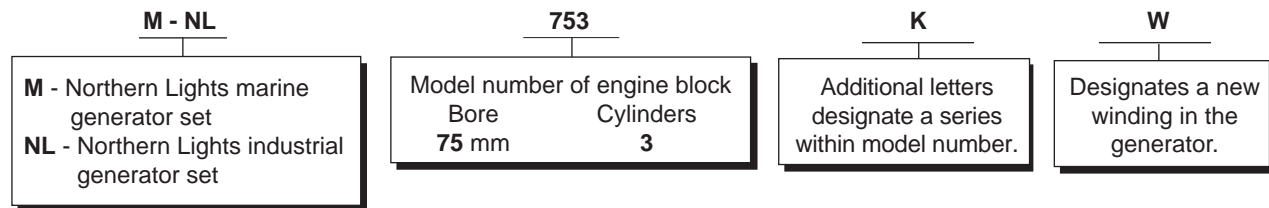
MODELS INCLUDED

This manual covers the operating instructions for:

M753k and NL753k, which both use the 753 engine and the PX308K1 generator end, and **M753w and NL753w**, which use the 753 engine and the PX308K2 generator end.

Model Numbers

Model numbers give the unit's application, block model, aspiration, and RPM:



M753k Northern Lights marine diesel generator set with a 753 engine and a PX-308K1 generator.

M753w Northern Lights marine diesel generator set with a 753 engine and a PX-308K2 generator.

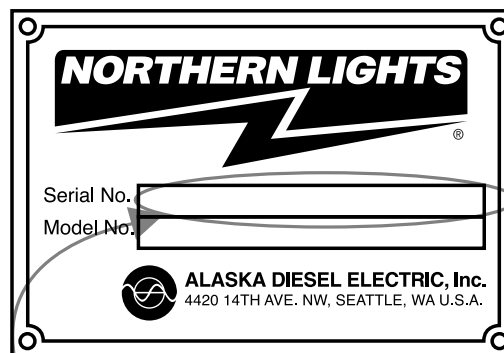
NL753k Northern Lights industrial diesel generator set with a 753 engine and a PX-308K1 generator.

NL753w Northern Lights industrial diesel generator set with a 753 engine and a PX-308K2 generator.

Serial Numbers

NORTHERN LIGHTS

Your set has three serial numbers: ① an engine number stamped on the block, ② a generator plate, and ③ a generator set plate. Use the serial number on the generator set plate when ordering parts or in correspondence. The generator set plate is found on the service side of the generator and resembles the drawing below.



*Generator Set Serial Number
for units with PXX generators*

Reading a Parts Page

IMPORTANT:

Before selecting parts, be sure that you are choosing parts from the correct page.
Check the model designation at the page top.
Do not use this illustration for parts purchasing.

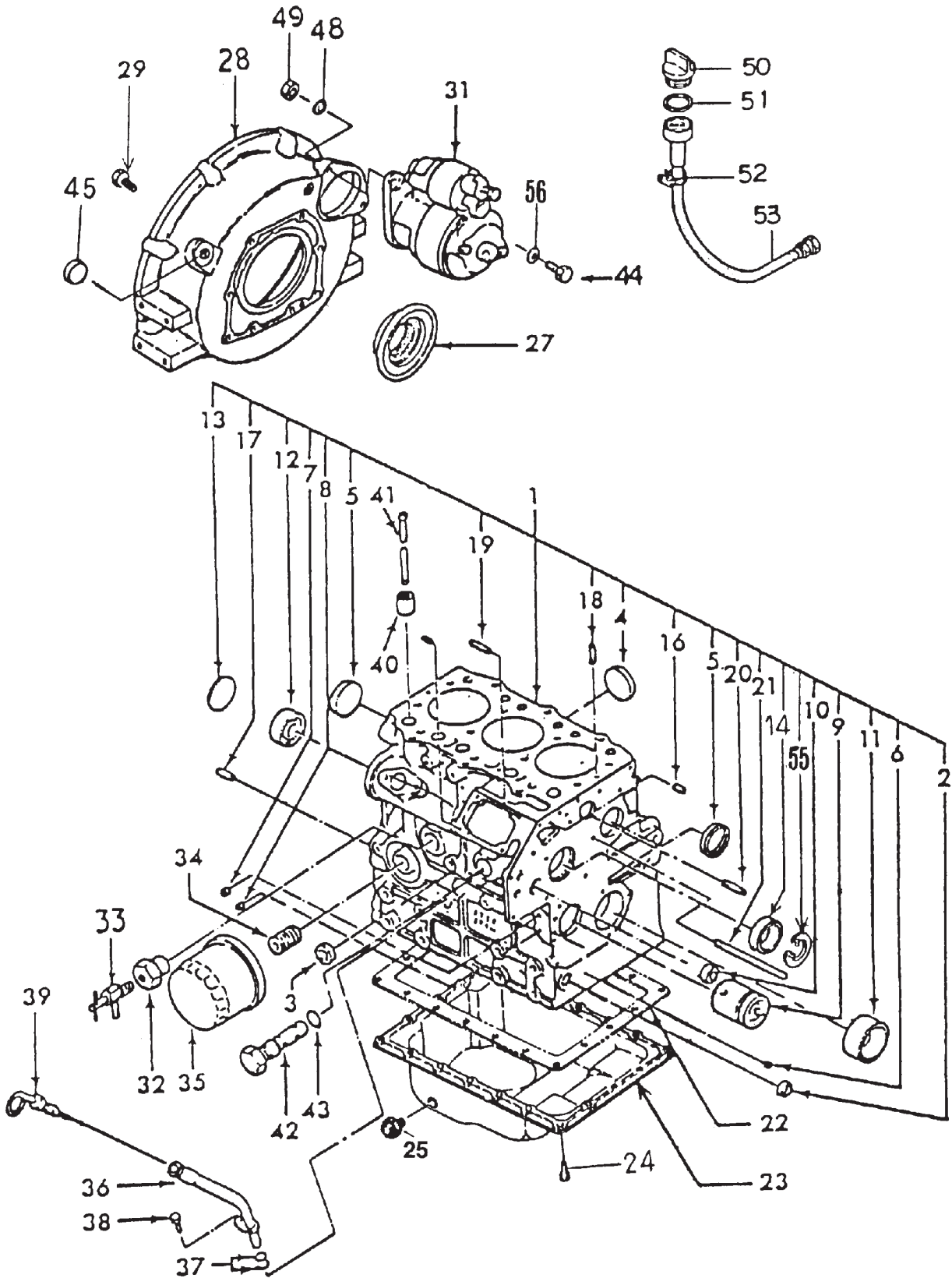
KEY	PART NUMBER	QTY.	DESCRIPTION	SERIALNUMBER
0	185046210	1	Alternator Assembly	-
1	185446219	1	Flywheel, complete	-
2	185446217	1	Plate, complete	-
3	185716200	1	Plate	-
4	185446218	1	Stator, complete	-
5	040126210	2	Bearing	-
6	020210010	1	Nut	-
7	027100010	1	Spring washer	-
8	026100010	1	Washer	-
9	185446220	1	Clamp	-
10	015140408	1	Screw	-
11	015140425	2	Screw	-
12	199236510	1	Collar	-

REFERENCES:

- | | |
|--|--|
| 1. Grouping section title. | 7. Quantity of parts used. |
| 2. Model designation of equipment that uses parts listed on this page. | 8. Description of each component part. |
| 3. Title and description of assembly. | 9. Serial number of unit the part fits. |
| 4. Drawing numbers that correspond to key column numbers for parts identification. | 10. Assembly or kit designated by Key 0 or ••/•. |
| 5. Key column for locating parts shown on drawing. | 11. Grouping index number. |
| 6. Part number. | 12. Page number within the grouping index. |
| | 13. Manual title. |
| | 14. Page publication date. |

NOTE: ⇨ Arrows always point toward the front of the engine.

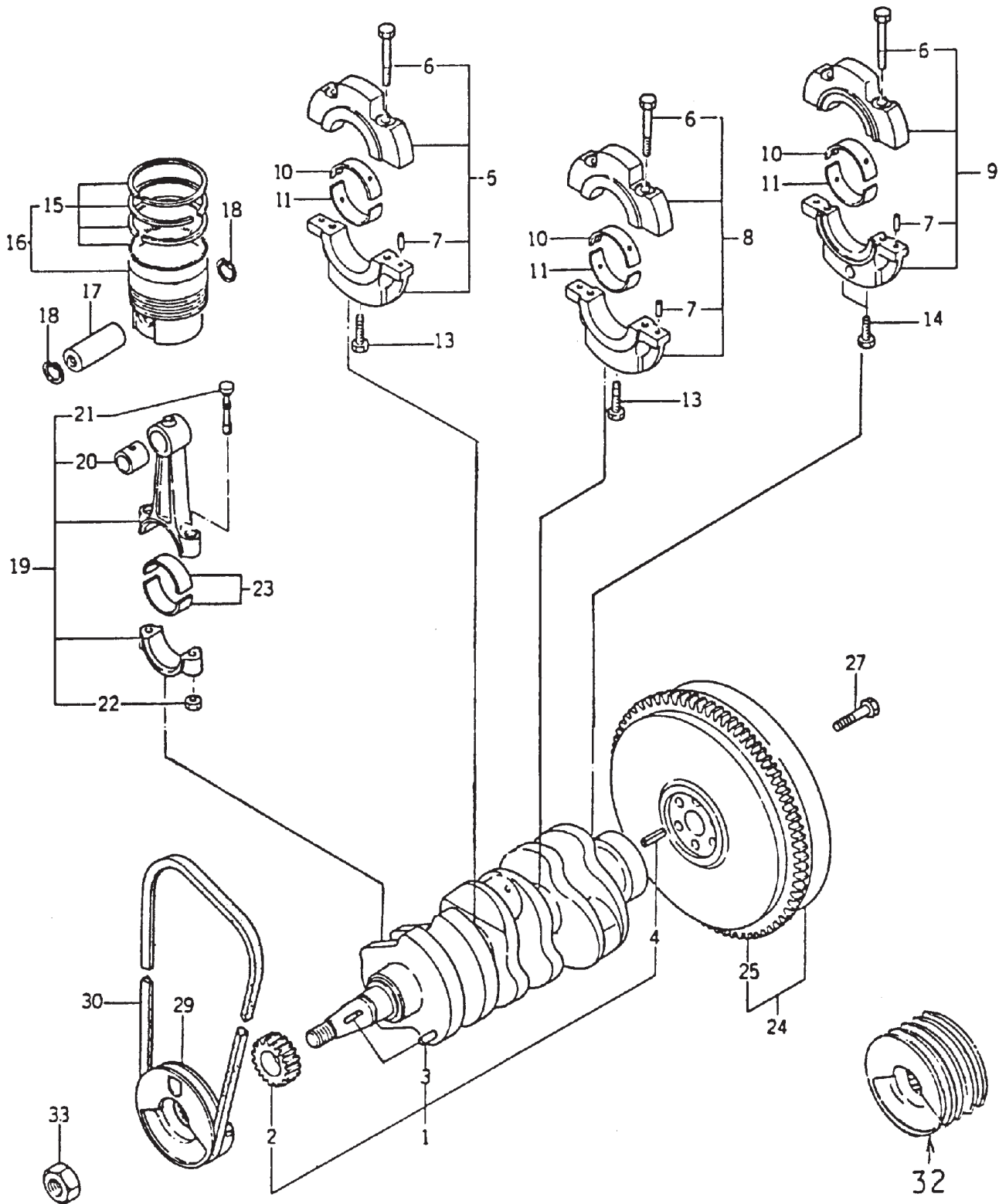
Cylinder Block



Cylinder Block

KEY	PART NUMBER	QTY	DESCRIPTION	SERIAL NUMBER
1	110107451	1	Cylinder Block Assembly (Blue - Industrial)	-
	110107461	1	Cylinder Block Assembly (White - Marine)	-
			} includes keys #1, #2, #4 - #21 & #55	
2	064200015	1	Core Plug 15 mm	-
3	064200025	1	Core Plug 25 mm	-
4	064200035	2	Core Plug 35 mm	-
5	064200040	2	Core Plug 40 mm	-
6	198466050	1	Plug	-
7	198466030	4	Plug	-
8	198466010	4	Plug	-
9	165296141	1	Idler Gear Shaft Assembly	-
10	198466060	1	Blank Plug	-
11	198517080	1	Standard Bushing	-
	198517084	1	Bushing, Undersize 0.25 mm	-
	198517087	1	Bushing, Undersize 0.50 mm	-
12	040106203	1	Bearing	-
13	064100045	1	Expansion Plug	-
14	042303015	1	Bearing	-
15	030500410	2	Pin	-
16	030500616	2	Pin	-
17	030501025	2	Dowel Pin	-
18	030309005	2	Spring Pin	-
19	012110620	2	Stud Bolt	-
20	012100635	1	Stud Bolt	-
21	012100660	1	Stud Bolt	-
22	110996491	1	Gasket	-
23	110707820	1	Oil Pan (Blue - Industrial)	-
	110707480	1	Oil Pan (White - Marine)	-
24	010109235	20	Bolt with Washer, M6 x 1.0 x 14 mm	-
25	010401212	2	Plug, Hex Head M12 x 1.25	-
27	198636130	1	Oil Seal Assembly (Oil Seal plus Sleeve)	-
	198636080	1	Oil Seal (Sleeveless)	-
28	110446363	1	Flywheel Housing (Blue - Industrial)	-
	110446421	1	Flywheel Housing (White - Marine)	-
29	010111020	8	Bolt } SAE #5	-
31		1	Starting Motor (see Electrical Section)	-
32	198486770	1	Bushing (Marine)	-
33	198736051	1	Drain Cock (Marine)	-
	198736120	1	Drain Cock (Industrial, no longer available - use Marine type and #32)	-
34	140546020	1	Adapter	-
35	24-02001	1	Oil Filter	-
36	110756070	1	Dipstick Tube	-
37	052100100	2	O-Ring	-
38	011150612	1	Bolt	-
39	198416270	1	Dipstick	-
40	120116100	6	Tappet	-
41	120456201	6	Pushrod	-
42	140036220	1	Relief Valve Assembly (formerly #140036120)	-
43	052100150	1	O-Ring	-
44	010101045	2	Bolt	-
45	398460091	1	Plug	-
46	064115200	1	Tube	-
47	195816100	1	Lifting Eye (Industrial)	-
48	027100010	2	Spring Washer	-
49	020110010	2	Nut	-
50	398430560	1	Cap	-
51	052100280	1	O-Ring (formerly # 054109013)	-
52	198756200	1	Hose Clamp	-
53	140606710	1	Oil Drain Hose	-
55	036509005	1	Snap Ring	-
56	026100010	2	Washer	-
57	025100012	2	Sealing Washer	-

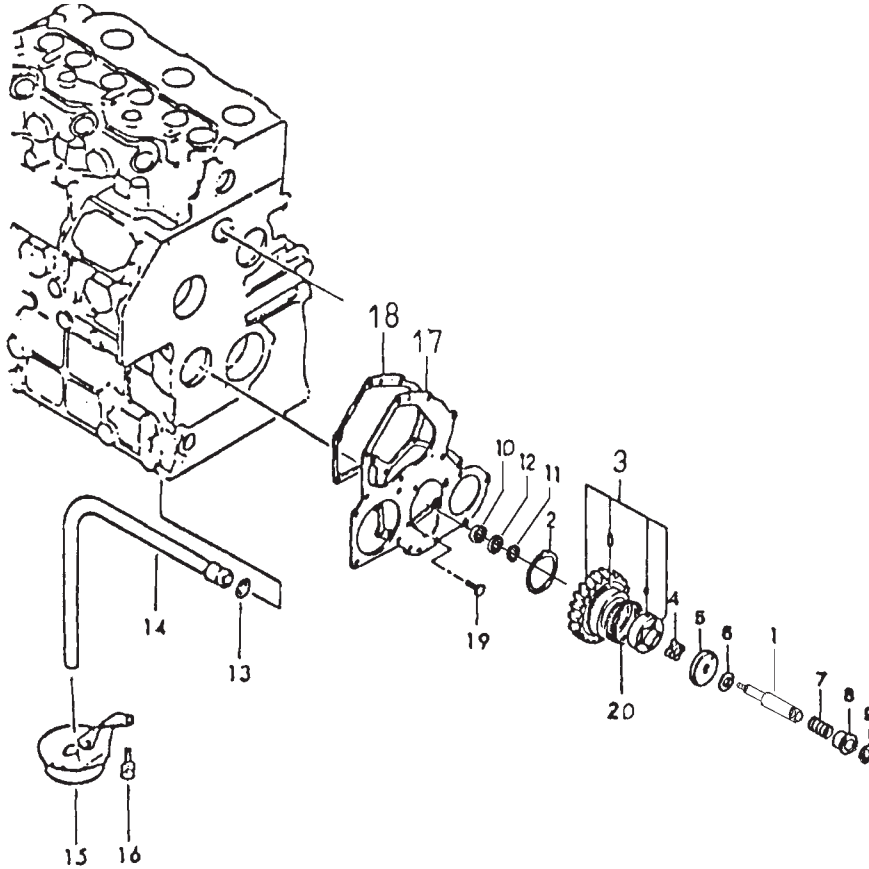
Camshaft and Pistons



Camshaft and Pistons

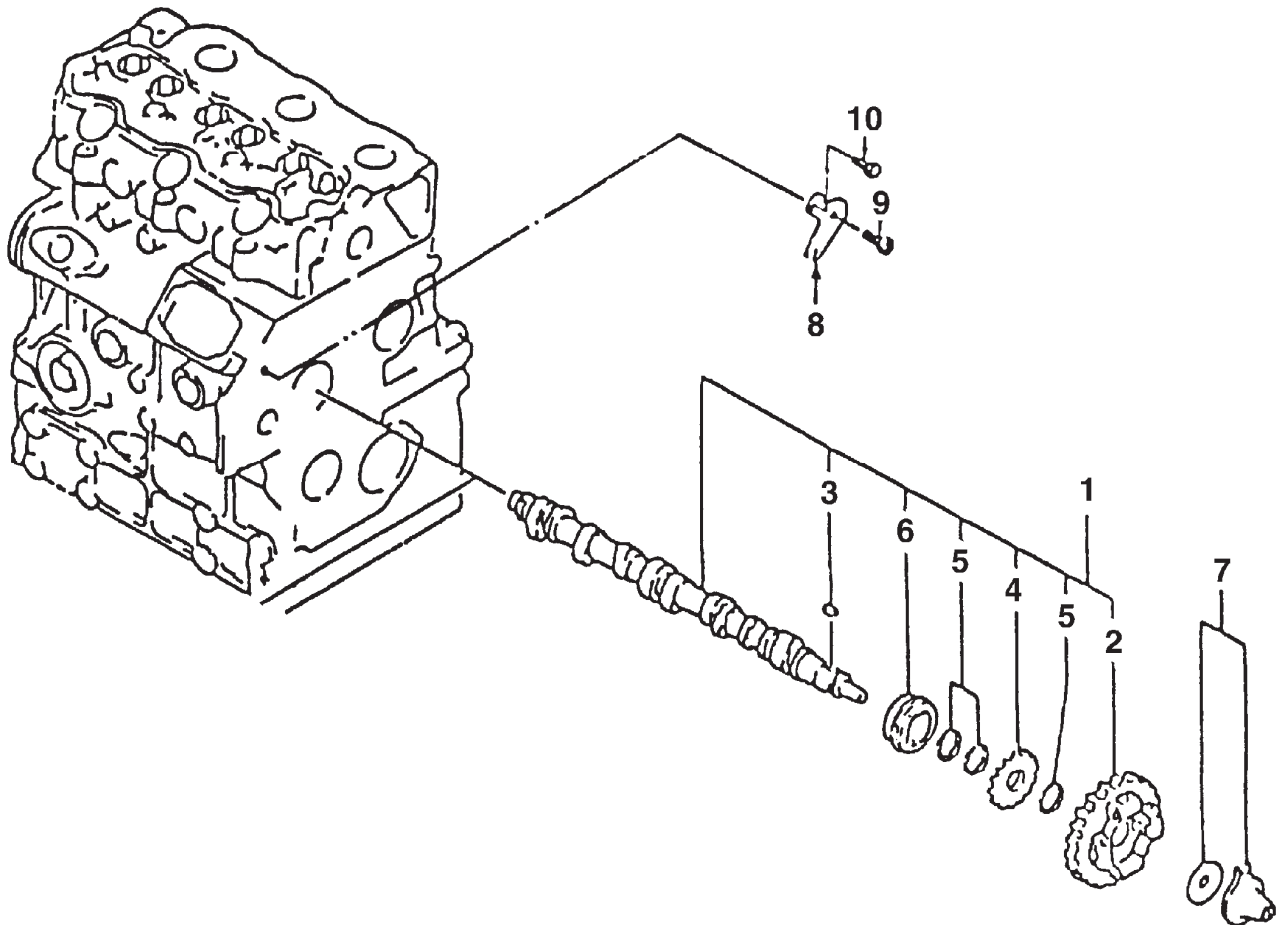
KEY	PART NUMBER	QTY	DESCRIPTION	SERIAL NUMBER
1	115256600	1	Crankshaft (includes keys #2 - #4)	-
2	115276180	1	Gear	-
3	034100508	1	Key (for Pulley #29 or #32 only)	-
	030509020	1	Dowel Pin (for Gear #2 only)	-
4	030300816	1	Spring Pin	-
5	110156111	1	Bearing Holder Assembly	-
6	010810840	6	Bolt	-
7	030500612	6	Dowel	-
8	110156121	1	Bearing Holder Assembly	-
9	110156131	1	Bearing Holder Assembly	-
	110156330	1	Bearing Holder with Integral Thrust Washers	-
10	198517101	3	Bearing, Standard	-
	198517105	3	Bearing, Undersize 0.25 mm	-
	198517108	3	Bearing, Undersize 0.50 mm	-
11	198517110	3	Bearing, Standard	-
	198517114	3	Bearing, Undersize 0.25 mm	-
	198517117	3	Bearing, Undersize 0.50 mm	-
13	011310850	2	Bolt	-
14	010700845	1	Bolt	-
15	115107201	3	Standard Ring Set	-
	115107204	3	Ring Set, Oversize 0.50 mm	-
	115107206	3	Ring Set, Oversize 1.0 mm	-
16	115017140	3	Piston Assembly, Standard	-
	115017150	3	Piston Assembly, Oversize 0.50 mm	-
	115017160	3	Piston Assembly, Oversize 1.0 mm	-
17	115326231	3	Piston Pin	-
18	036500021	6	Snap Ring	-
19	115026191	3	Rod Assembly	-
20	198517125	3	Bushing	-
21	115176150	6	Bolt	-
22	020109075	6	Nut	-
23	198517130	6	Rod Bearing, Std.	-
	198517134	6	Rod Bearing, Undersize 0.25 mm	-
	198517137	6	Rod Bearing, Undersize 0.50 mm	-
24	115356720	1	Flywheel Assembly SAE #6 1/2 (includes key #25)	-
25	115376130	1	Ring Gear (96 Teeth)	-
27	010109340	6	Bolt	-
29	115396552	1	Pulley (Blue)	-
	115396650	1	Pulley (White)	-
30	40-08201	1	V-Belt	-
32	115396541	1	Pulley (4 Groove, White)	-
33	020800018	1	Nut	-

Oil Pump and Strainer



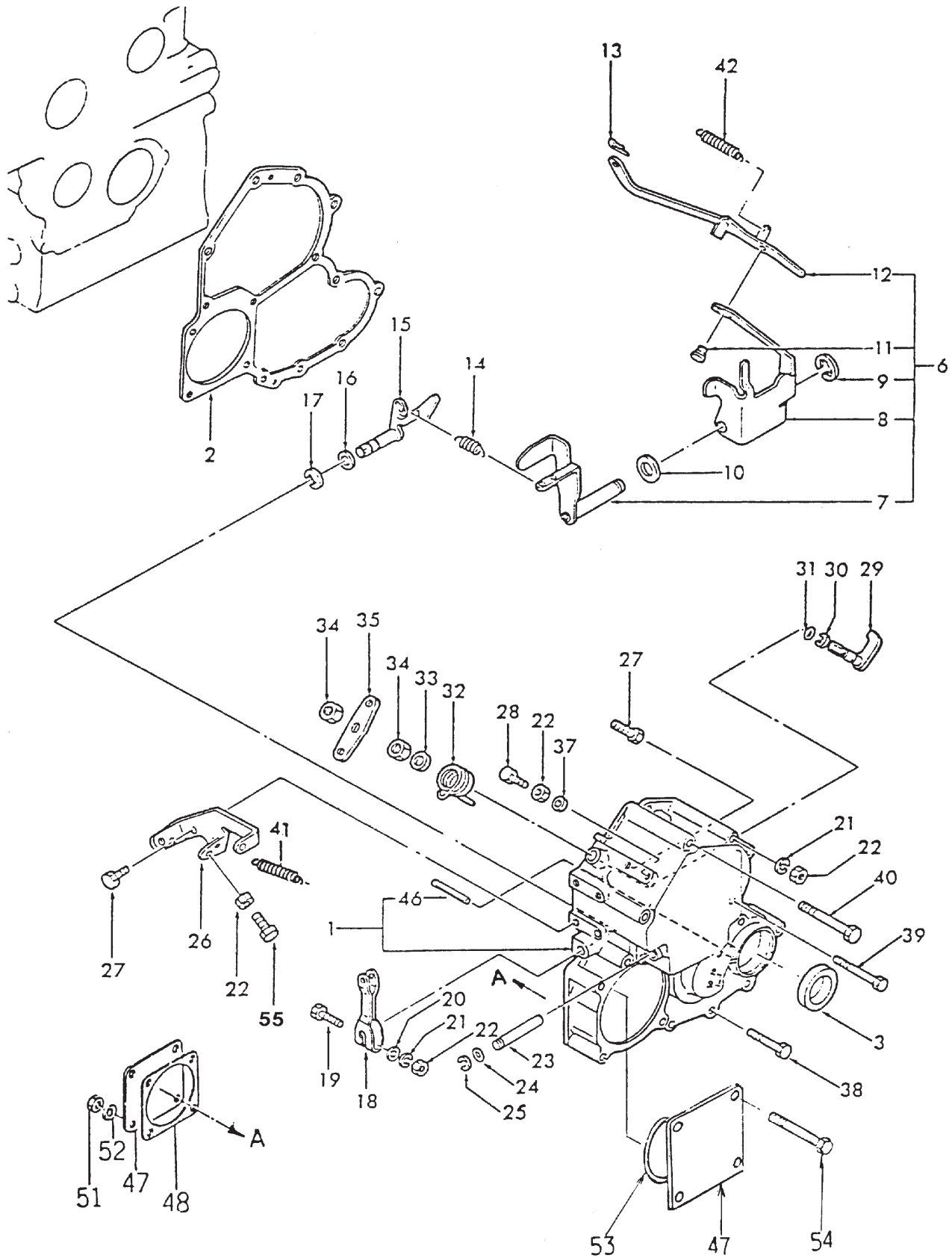
KEY	PART NUMBER	QTY	DESCRIPTION	SERIAL NUMBER
1	140196061	1	Shaft	-
2	199266180	1	Thrust Washer	-
3	165026100	1	Gear Assembly	-
4	140166130	1	Rotor	-
5	140116140	1	Cover	-
6	199286150	**	Shim, t = 0.10 mm	-
	199286160	**	Shim, t = 0.15 mm	-
	199286170	**	Shim, t = 1.20 mm	-
	199286180	**	Shim, t = 0.50 mm	-
7	198216720	1	Spring	-
8	199236540	1	Collar	-
9	036800010	1	Snap Ring	-
10	020100008	1	Nut	-
11	026100008	1	Washer	-
12	027100008	1	Spring Washer	-
13	052109076	1	O-Ring	-
14	140986480	1	Oil Pipe	-
15	140406270	1	Filter Assembly	-
16	011310612	2	Bolt	-
17	165166191	1	Plate (Blue - Industrial)	-
	165166240	1	Plate (White - Marine)	-
18	165996300	1	Gasket	-
19	011140612	3	Bolt	-
20	198216821	1	Spring	-
			**As required.	

Camshaft



KEY	PART NUMBER	QTY	DESCRIPTION	SERIAL NUMBER
1	120026081	1	Camshaft Assembly (includes keys #3 - #6 & #19)	-
2	120016021	1	Cam Gear & Flyweight Assembly	-
3	034100508	1	Key	-
4	120736081	1	Gear	-
5	199216230	3	Spacer	-
6	040109059	1	Bearing	-
7	125256120	1	Slider Assembly	-
8	199566651	1	Plate	-
9	011310612	1	Bolt	-
10	010700610	1	Bolt	-

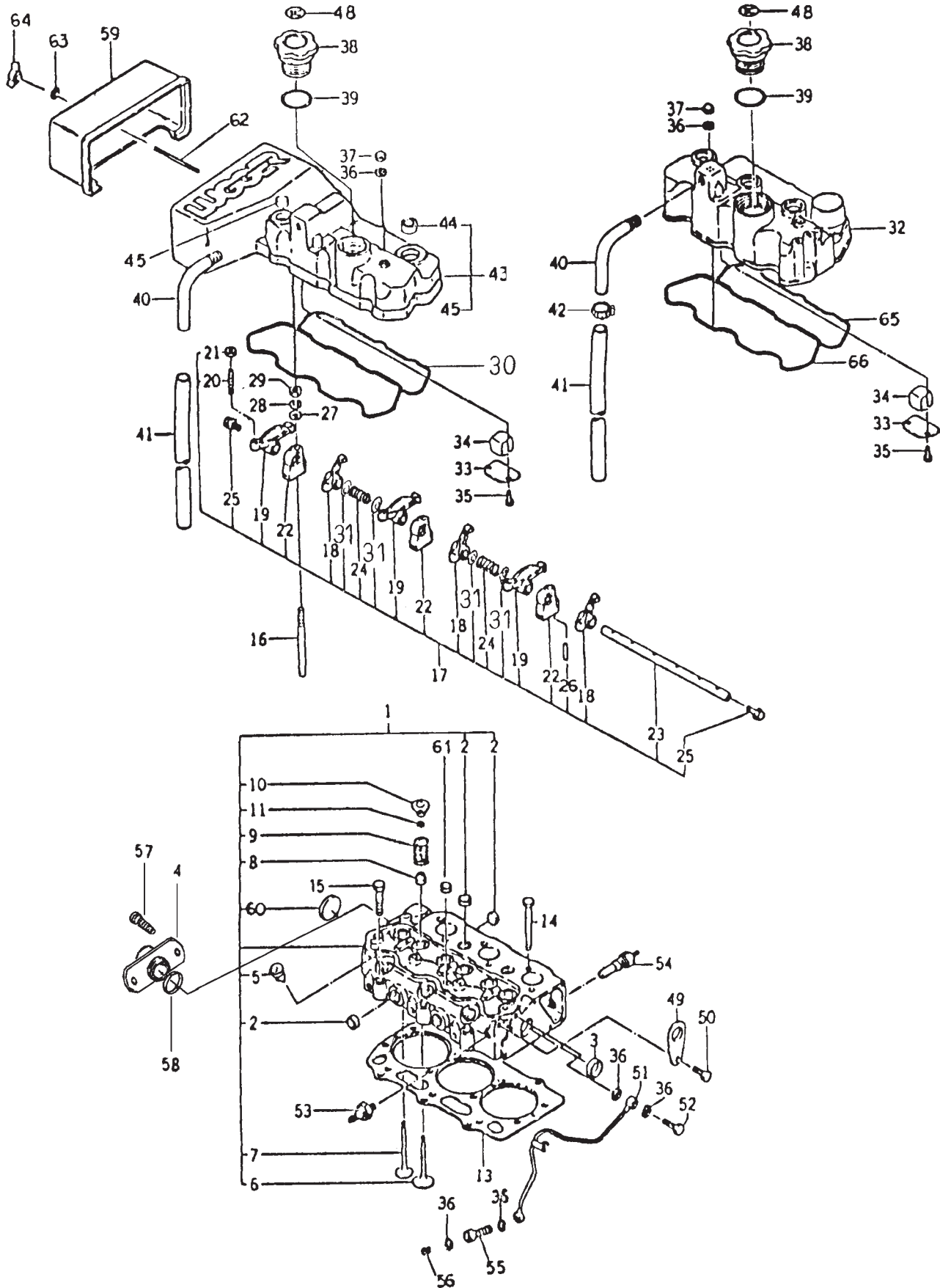
Timing Gear Case



Timing Gear Case

KEY	PART NUMBER	QTY	DESCRIPTION	SERIAL NUMBER
1	165106071	1	Timing Gear Case (Blue - Industrial, includes key #46)	-
	165106111	1	Timing Gear Case (White - Marine, includes key #46)	-
2	165996310	1	Gasket	-
3	198636140	1	Oil Seal Assembly (Oil Seal and Sleeve)	-
	198636090	1	Oil Seal (Sleeveless)	-
6	125046260	1	Lever Assembly (includes keys #7 - #9, #11, #12)	-
7	125406071	1	Lever	-
8	125416081	1	Lever	-
9	036800008	1	Snap Ring	-
10	026200010	1	Washer	-
11	199616170	1	Pin	-
12	125366040	1	Link	-
13	031110004	1	Pin	-
14	198217350	1	Spring	-
15	125156170	1	Arm	-
16	052100070	1	O-ring	-
17	036800008	1	Snap Ring	-
18	125416020	1	Lever	-
19	010100630	1	Bolt	-
20	026100006	1	Washer	-
21	027100006	2	Spring Washer	-
22	020100006	4	Nut	-
23	125116131	1	Shaft (formerly #125116130, single O-ring)	-
24	052100030	**	O-ring	-
25	036800005	1	Snap Ring	-
26	125976120	1	Bracket	-
27	011140614	2	Bolt	-
28	010109264	1	Bolt	-
29	125156180	1	Arm Assembly	-
30	036800006	1	Snap Ring	-
31	052100050	1	O-ring	-
32	198216760	1	Spring	-
33	026100008	1	Washer	-
34	020700008	2	Nut	-
35	125176180	1	Lever (formerly #s 125176071 & 125176080)	-
37	025100006	1	Sealing Washer	-
38	011300640	5	Bolt	-
39	011300660	4	Bolt	-
40	011300680	2	Bolt	-
41	398210070	1	Spring	-
42	198216731	1	Spring	-
46	030300414	1	Pin	-
47	165206150	2	Cover (Blue - Industrial)	-
	165206320	1	Cover (White - Marine)	-
48	11-12005	1	Gasket	-
51	020100008	4	Nut	-
52	027100008	4	Spring Washer	-
53	052300700	1	O-ring	-
54	010100865	4	Bolt	-
55	012800640	1	Setting Bolt	-
			**As required	

Cylinder Head



Cylinder Head

KEY	PART NUMBER	QTY	DESCRIPTION	SERIAL NUMBER
1	111017070	1	Cylinder Head Assembly, White (Marine)	-
	111016622	1	Cylinder Head Assembly, Blue (Industrial)	-
2	064200018	6	Plug	-
3	064200025	1	Plug	-
4	185706320	1	Holder	-
5	111316201	3	Seat	-
6	120166240	3	Intake Valve	-
7	120176250	3	Exhaust Valve	-
8	120406050	3	Valve Guide Seal - Exhaust	-
	120406070	3	Valve Guide Seal - Intake	-
9	198216700	6	Spring	-
10	120186080	6	Retainer	-
11	120226070	12	Retainer	-
12	120216040	6	Cap	-
13	111146882	1	Head Gasket t = 1.1 mm	-
	111146892	1	Head Gasket t = 1.2 mm	-
	111146901	1	Head Gasket t = 1.3 mm	-
14	111136440	11	Head Bolt (12 mm Hex)	-
15	111136450	3	Head Bolt (12 mm Hex)	-
16	012109177	3	Stud	-
17	120036690	1	Rocker Shaft Assembly	-
18	120356200	3	Intake Rocker Arm	-
19	120356210	3	Exhaust Rocker Arm	-
20	199486220	6	Screw	-
21	020109076	6	Nut	-
22	120346170	3	Bracket	-
23	120316120	1	Shaft	-
24	198216780	2	Spring	-
25	064609006	2	Plug	-
26	030300325	1	Pin	-
27	026100008	3	Washer	-
28	027100008	3	Spring Washer	-
29	020500008	3	Nut	-
30	111996290	1	Gasket (Marine)	-
31	199280280	4	Shim	-
33	110666050	1	Cover	-
34	110666090	1	Filter	-
35	011150612	2	Bolt	-
36	140996260	7	Sealing Washer	-
37	024500008	3	Nut	-
38	198436010	1	Cap	-
39	052100400	1	O-Ring	-
40	110986500	1	Pipe	-
41	068122560	1	Tube	-
42	198346090	1	Clip	-
43	111026131	1	Rocker Arm Cover (Industrial)	-
	111206250	1	Rocker Arm Cover/Intake Manifold (Marine)	-
44	064200030	1	Plug (Marine Only)	-
45	064200020	1	Plug (Marine Only)	-
48	190196630	1	Caution Plate	-
			(Continued Next Page)	

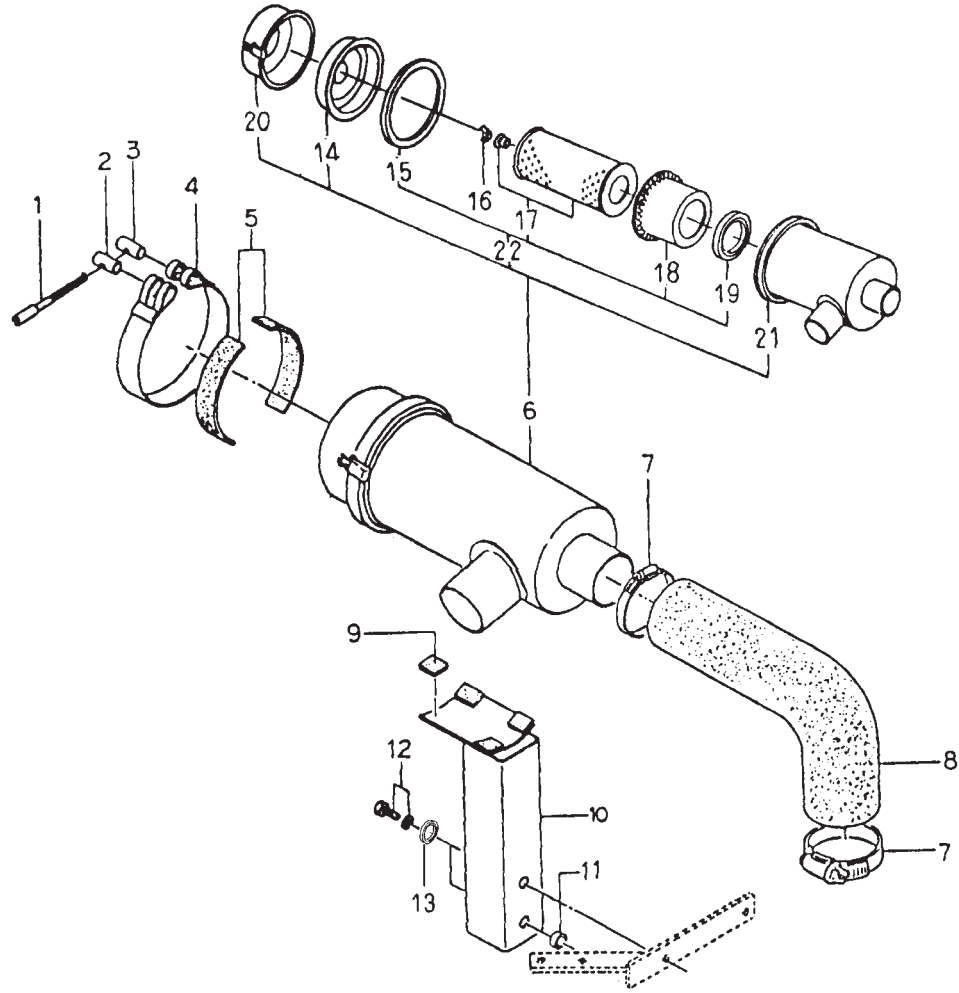
GROUP 1 – ENGINE

Cylinder Head

(Continued from previous page)

KEY	PART NUMBER	QTY	DESCRIPTION	SERIAL NUMBER
49	195816030	2	Hanger (Blue)	-
	195816340	2	Hanger (White)	-
50	011310816	2	Bolt	-
51	140606670	1	Tube Assembly	-
52	198486780	1	Bolt	-
53	185246011	1	Oil Pressure Switch	-
54	385720030	1	Temperature Switch 110°C (Industrial)	-
	385720110	1	Temperature Switch 95°C (Marine)	-
55	198487590	1	Banjo Bolt with 1/8 NPT Female Thread	-
56	064500010	1	Plug	-
57	011300814	2	Bolt	-
58	052300300	1	O-Ring	-
59	165366110	1	Cover	-
60	064200030	2	Plug	-
61	064200015	2	Plug	-
62	012109206	1	Stud, 1/4-20 x 1/4-20 x 6-1/2 (6-7/8" LOA)	-
63	026100006	1	Flat Washer 1/4	-
64	024109002	1	Wing Nut 1/4-20 Nylock	-
65	111996271	1	Gasket - Industrial	-
66	052109061	1	O-Ring - Industrial	-

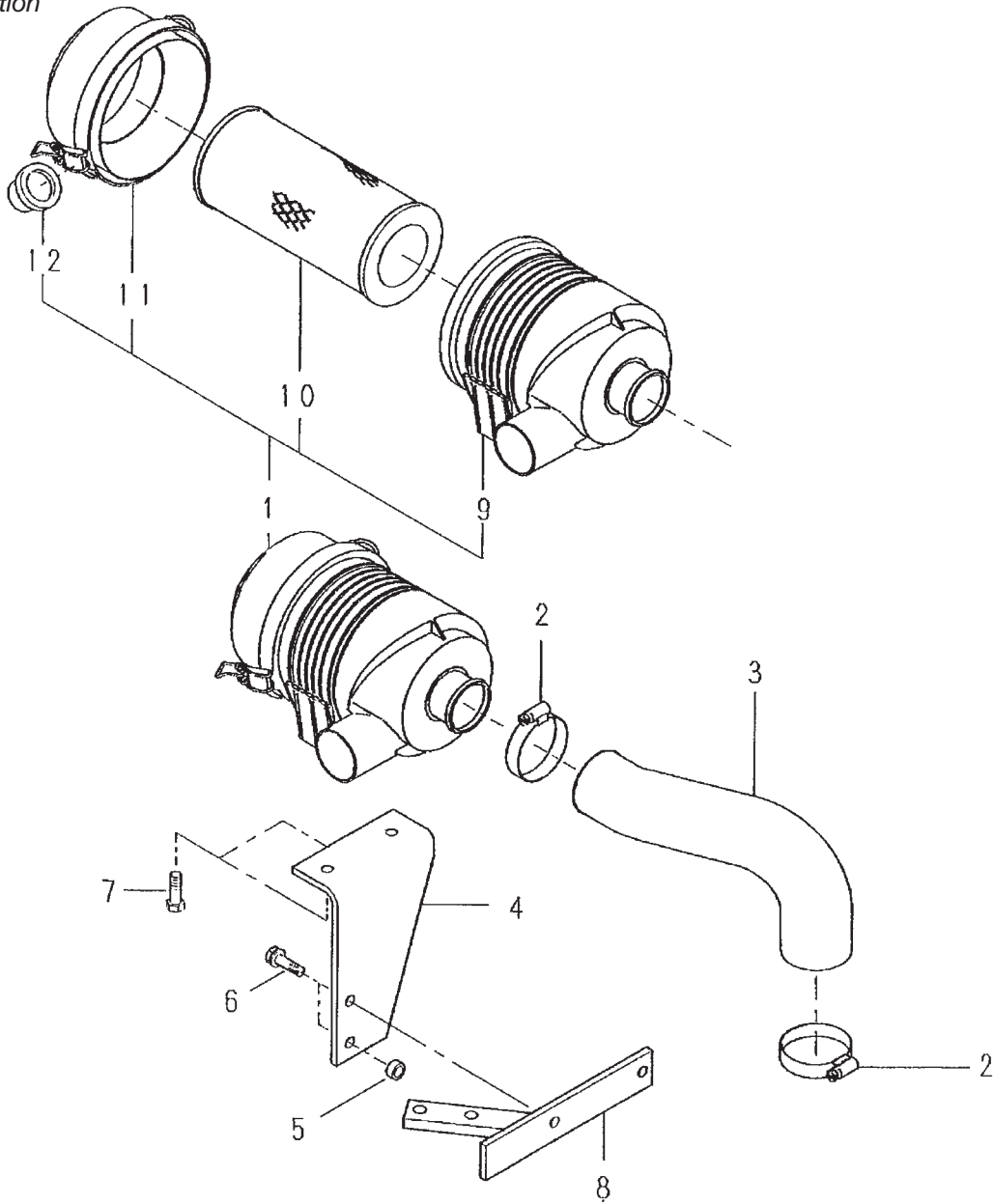
Intake Air Filter: Industrial Application



KEY	PART NUMBER	QTY	DESCRIPTION	SERIAL NUMBER
1	399480070	1	Screw	-
2	399610100	1	Pin	-
3	399610110	1	Pin	-
4	314630030	1	Hose Clamp	-
5	398113190	2	Rubber	-
6	314500361	1	Air Cleaner Assembly (includes keys #14 - #19)	-
7	198756130	2	Hose Clamp	-
8	135597240	1	Hose	-
9	398113270	4	Rubber	-
10	135976470	1	Holder	-
11	199236730	1	Collar	-
12	011310825	2	Bolt	-
13	026109066	2	Washer	-
14	314531051	1	End Cover	-
15	314531052	1	Gasket	-
16	024100008	1	Wing Nut	-
17	314531124	1	Element Assembly	-
18	314531055	1	Cyclone	-
19	314531056	1	Gasket	-
20	314531067	1	Case Sub-assembly	-
21	314531053	1	Case	-
22	314531123	1	Element Kit (includes keys #15, #17, #18, & #19)	-

Intake Air Filter: Industrial Application

Late Production

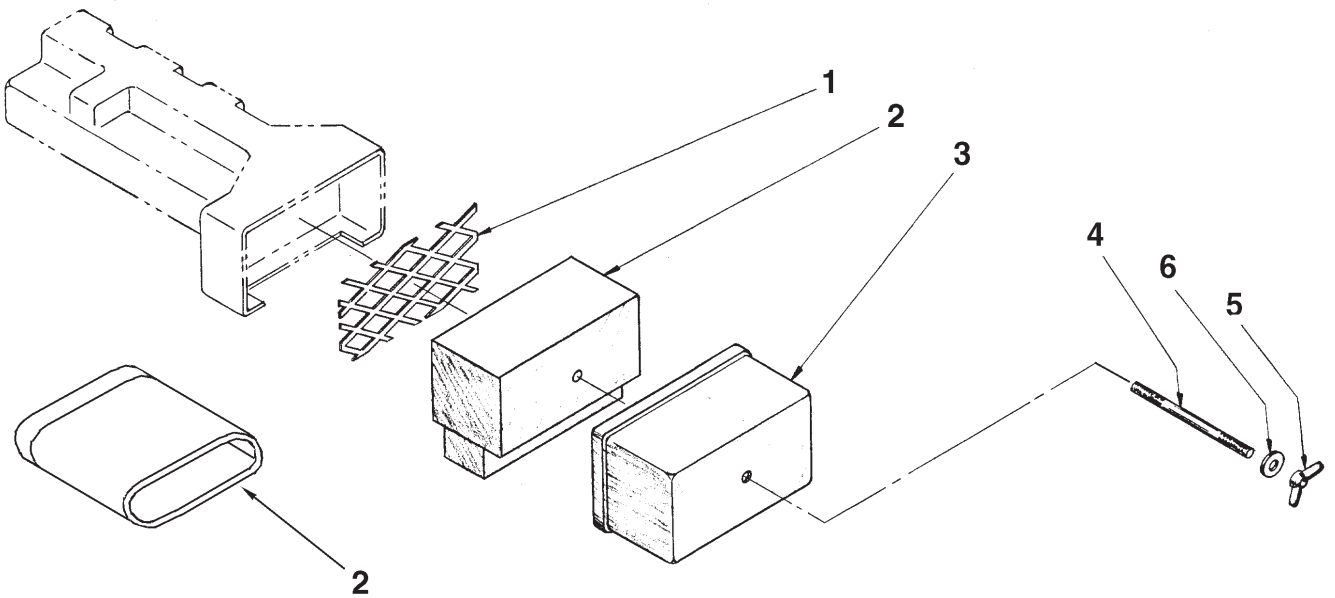


753airfilter

KEY	PART NUMBER	QTY	DESCRIPTION	SERIAL NUMBER
1	135016310	1	Air Cleaner Assembly (Includes keys 9 ~ 12)	-
2	198756130	2	Hose Band	-
3	135597690	1	Hose	-
4	135976610	1	Stay	-
5	199236730	1	Collar	-
6	011510825	2	Bolt	-
7	011510820	2	Bolt	-
8	131976050	1	Filter Stay	-
9	135326200	1	Housing	-
10	24-27301	1	Element	-
11	135326201	1	Cover Assembly	-
12	135326196	1	Valve	-

Intake and Air Filter

Marine Application

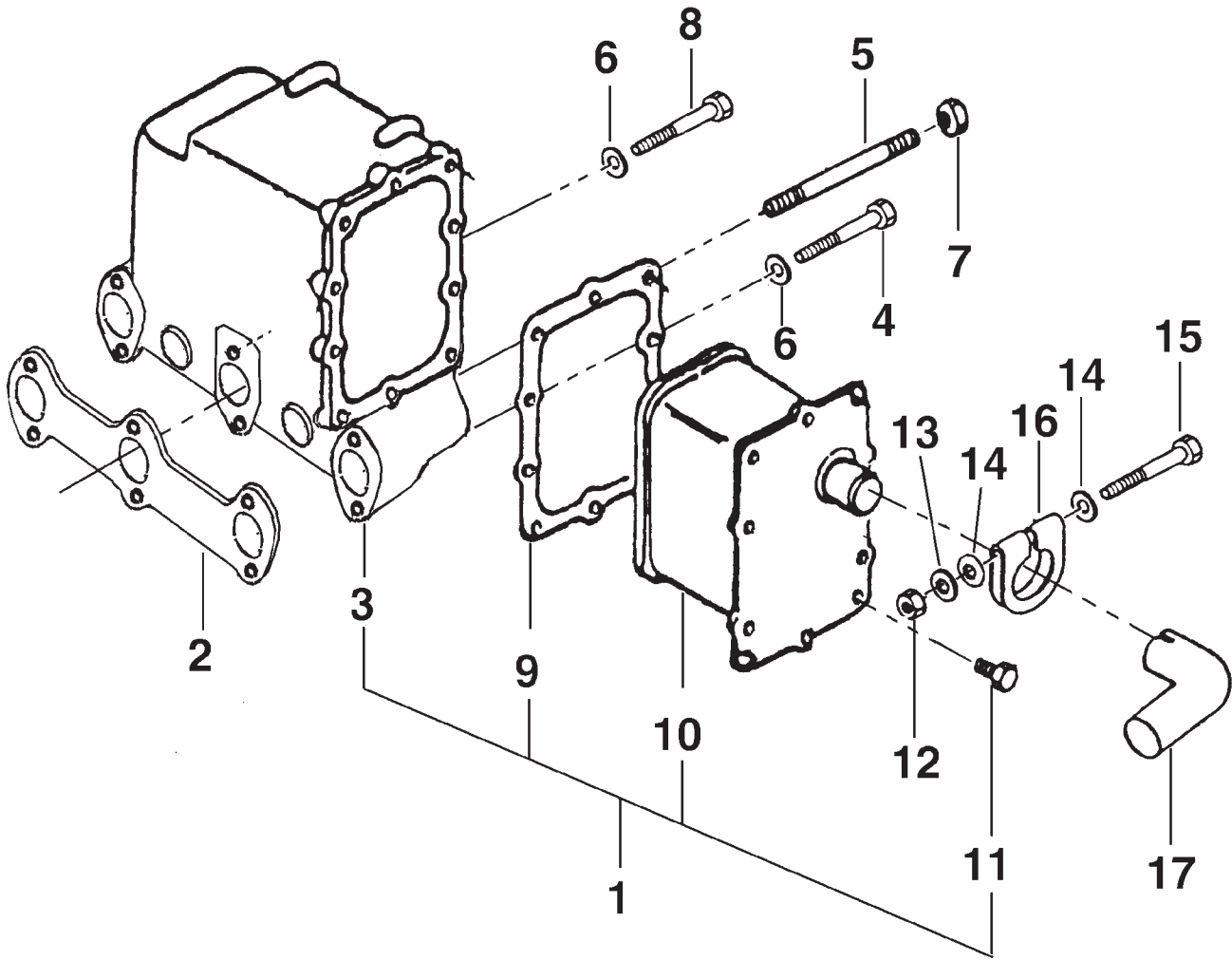


A-1461/ B-2297B

KEY	PART NUMBER	QTY	DESCRIPTION	SERIAL NUMBER
••	24-22005	1	Air Filter Assembly (includes keys #1 - #2)	
1	24-22002	1	Screen (L-M Marine Application)	-
2	24-22003	1	Air Filter Element (Foam Type)	-
	24-22001	1	Air Filter Element (Paper Type - Alternate)	-
3	165366110	1	Intake Cover	-
4	012109206	1	Stud 1/4 - 20 x 6-1/2 (6-7/8" LOA)	-
5	14-22000	1	Wing Nut, Nylock 1/4 - 20	-
6	15-00111	1	Flat Washer 1/4" USS	-

Muffler Assembly

Industrial Application

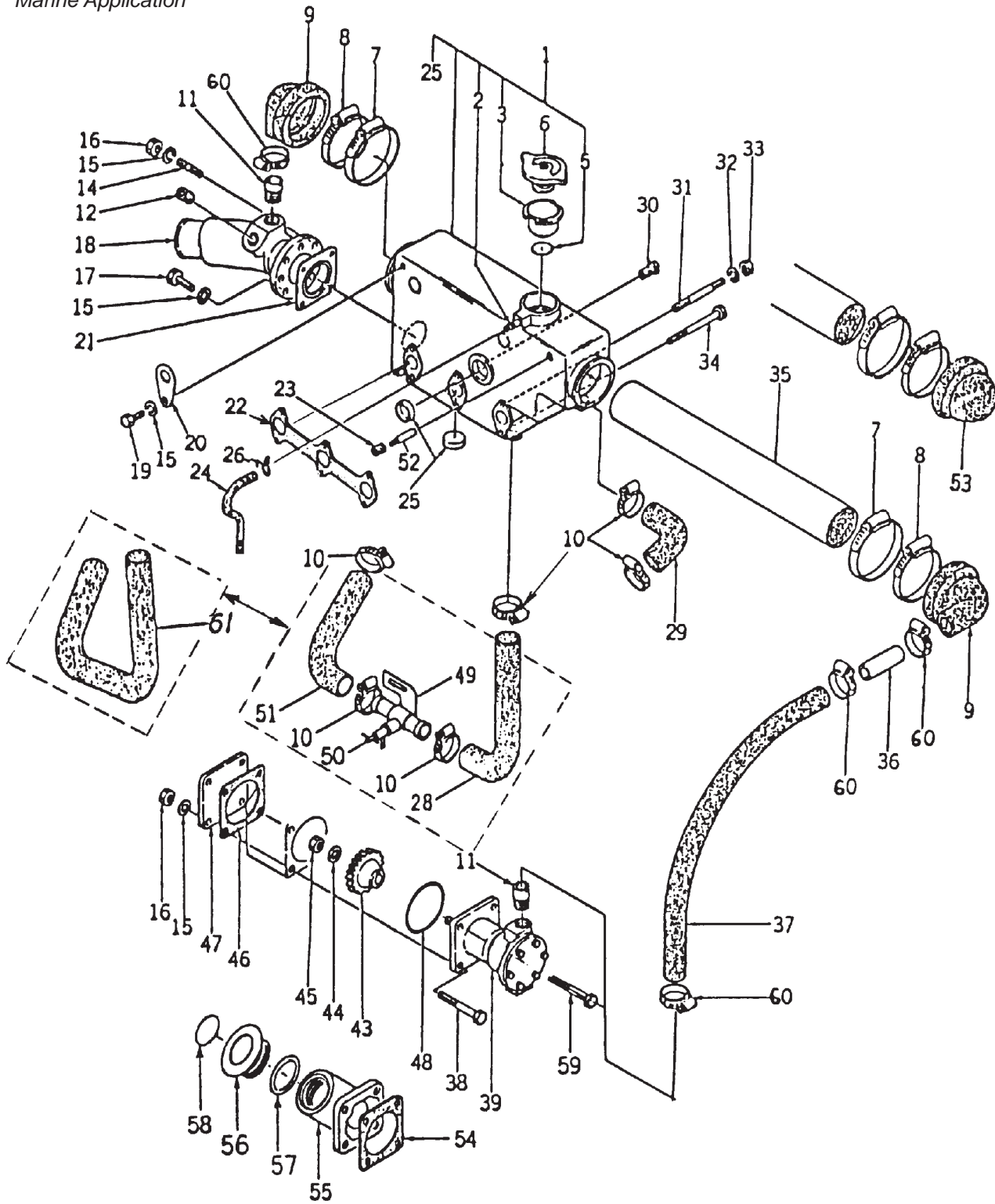


KEY	PART NUMBER	QTY	DESCRIPTION	SERIAL NUMBER
1	135046212	1	Muffler Assembly (includes keys #3, #9, #10 & #11, formerly #135046211)	-
2	135996541	1	Exhaust Gasket, Stainless Steel	-
3	135616831	1	Exhaust Manifold	-
4	010109381	3	Bolt	-
5	012109215	2	Stud M6 x 1.0 x 70 mm (78 mm LOA)	-
6	027100006	4	Spring Washer	-
7	023100006	2	Nut	-
8	12-01125	1	Capscrew, Hex Head M6 x 1.0 x 65 mm	-
9	135996530	1	Gasket	-
10	135406170	1	Muffer Element	-
11	011300612	10	Bolt	-
12	020100008	1	Nut	-
13	027100008	1	Spring Washer	-
14	026100008	2	Washer	-
15	010110860	1	Bolt	-
16	408330011	1	Clamp	-
17	135606150	1	Exhaust Elbow	-
	27-38200	1	Exhaust Elbow 1-1/4 NPT	-

Notes

Exhaust Manifold & Heat Exchanger with Raw Water Pump

Marine Application

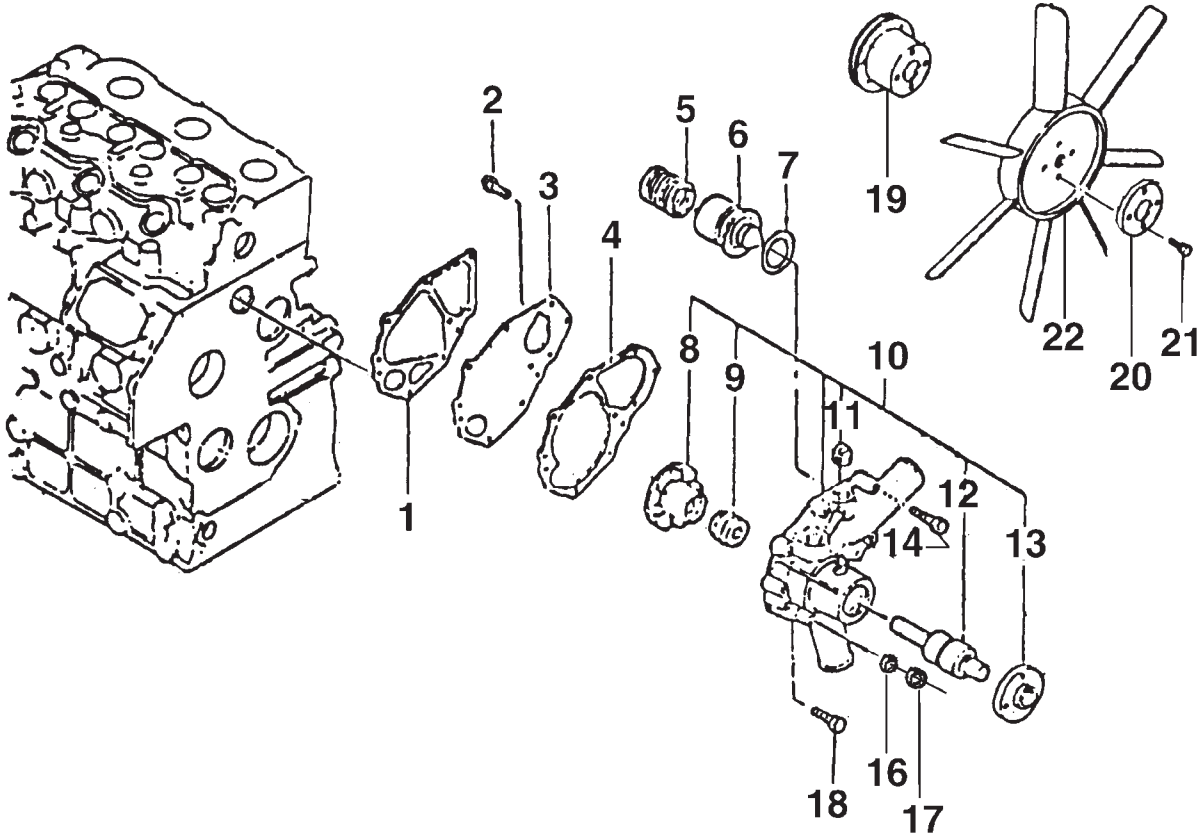


KEY	PART NUMBER	QTY	DESCRIPTION	SERIAL NUMBER
1	135606130	1	Exhaust Manifold/ Expansion Tank	-
2	198480100	1	Connector	-
3	145546220	1	Filter Neck	-
5	052400300	1	O-ring	-

Exhaust Manifold & Heat Exchanger with Raw Water Pump*Marine Application*

KEY	PART NUMBER	QTY	DESCRIPTION	SERIAL NUMBER
6	310110040	1	Filler Cap (Standard with Coolant Recovery)	-
7	19-00048	2	Hose Clamp #48	-
8	19-00040	2	Hose Clamp #40	-
9	145536370	2	Joint	-
10	198756150	6	Hose Clamp	-
11	145986150	1	Connector	-
12	198436140	1	Plug	-
14	012100825	2	Stud Bolt	-
15	027100008	9	Spring Washer	-
16	020100008	6	Nut	-
17	011300825	2	Bolt	-
18	135616234	1	Wet Exhaust Elbow (can use #27-32004)	-
19	011310816	1	Bolt	-
20	195816340	1	Hanger (White - Marine)	-
21	314990030	1	Gasket (can use #11-31902)	-
22	135996541	1	Gasket, Stainless Steel	-
23	198436200	1	Plug	-
24	068115500	1	Tube	-
25	064200030	2	Plug	-
26	198343130	1	Clip	-
28	145536400	1	Hose	-
29	145536340	1	Hose	-
30	198436170	1	Plug	-
31	012110690	3	Stud Bolt	-
32	027100006	3	Spring Washer	-
33	020100006	3	Nut	-
34	010110690	3	Bolt	-
35	20-12002	1	Heat Exchanger	-
36	145986160	1	Pipe	-
37	145536361	1	Hose	-
38	010100870	3	Bolt	-
39	25-12057	1	Raw Water Pump (see parts detail)	-
43	340460141	1	Gear	-
44	027100010	1	Washer	-
45	020100010	1	Nut	-
46	11-12005	1	Gasket (can use #165996110)	-
47	165206150	2	Cover (Industrial)	-
48	052300700	1	O-Ring	-
49	198486912	1	Connector	-
50	198736050	1	Drain Cock	-
51	145536411	1	Hose	-
52	199616190	**	Zinc (**As required)	-
53	145536390	1	Joint	-
54	11-12005	1	Gasket (can use #165996110)	-
55	110766200	1	Holder	-
56	198436010	1	Cap	-
57	052100400	1	O-Ring	-
58	190196630	1	Caution Label	-
59	010100865	1	Bolt	-
60	198756230	4	Hose Clamp	-
61	145536350	1	Hose	-
62	22-42014	1	Switch, High Exhaust Temperature	up to xxxx-31895C
	22-42070	1	Switch, High Exhaust Temperature	from xxxx-31896C
63	22-40482	1	Harness, Exhaust Temperature Switch	from xxxx-31896C

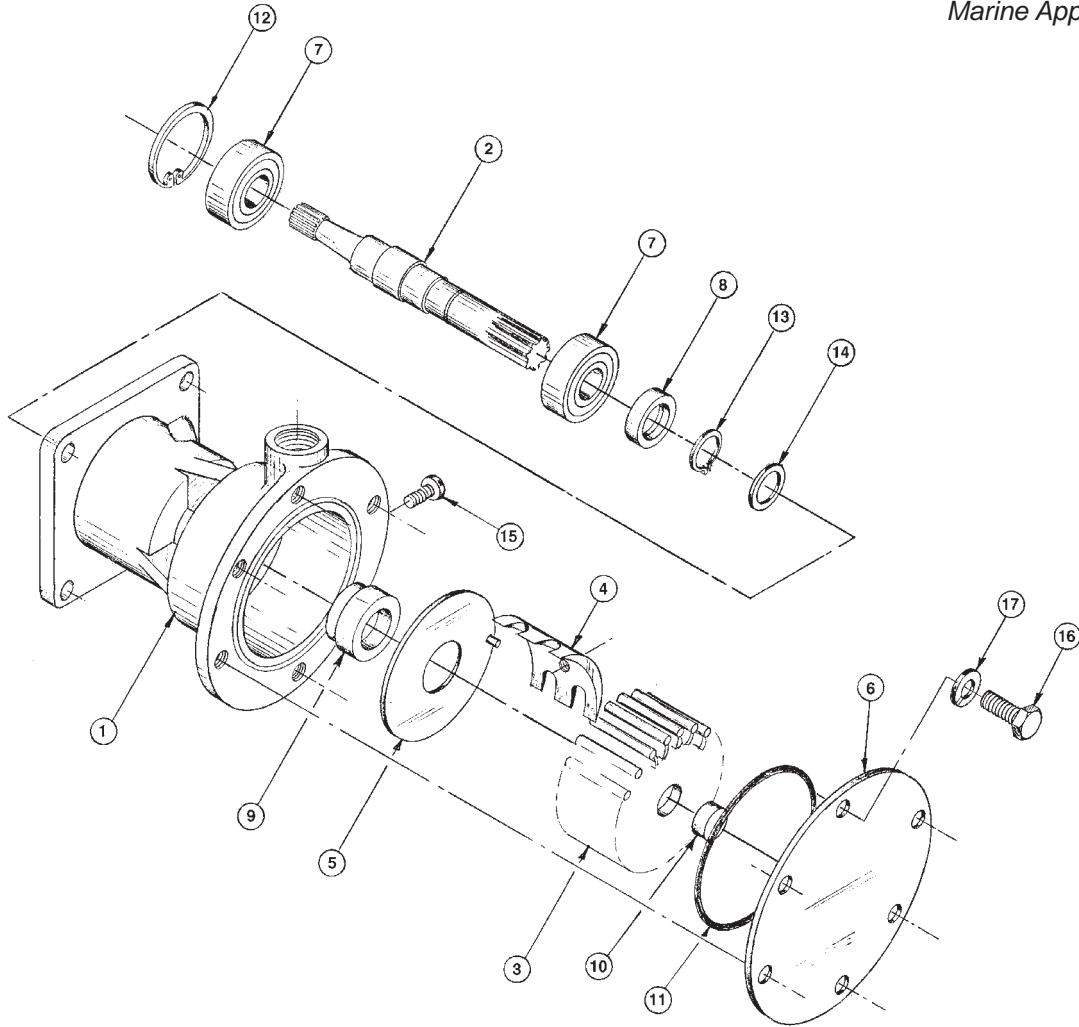
Coolant Pump



KEY	PART NUMBER	QTY	DESCRIPTION	SERIAL NUMBER
1	145996270	1	Gasket	-
2	011140616	1	Bolt	-
3	145146480	1	Backing Plate	-
4	145996280	1	Gasket	-
5	198217400	1	Spring	-
6	145206022	1	Thermostat 82°C	-
7	145996590	1	Gasket	-
8	145116100	1	Impeller	-
9	145126010	1	Seal	-
10	145017300	1	Coolant Pump Assembly (Blue - Industrial, includes keys #8, #9, #11 - #13)	-
	145017320	1	Coolant Pump Assembly (White - Marine, includes keys #8, #9, #11 - #13)	-
11	064500030	2	Plug	-
12	198566010	1	Shaft	-
13	145386230	1	Hub	-
14	011300660	1	Bolt	-
15	011300630	2	Bolt	-
16	027100006	1	Spring Washer	-
17	020100006	1	Nut	-
18	011300635	4	Bolt	-
19	145336490	1	Pulley, Circulating Pump Drive	-
20	145386390	1	Plate, Circulating Pump Drive Pulley (Marine only)	-
21	011310614	4	Bolt	-
22	145306460	1	Fan (Suction)	-
	145306380	1	Fan (Blower)	-
23	011300650	2	Bolt (not shown - See Alternator & Mounting Detail)	-

Raw Water Pump Assembly

Marine Application

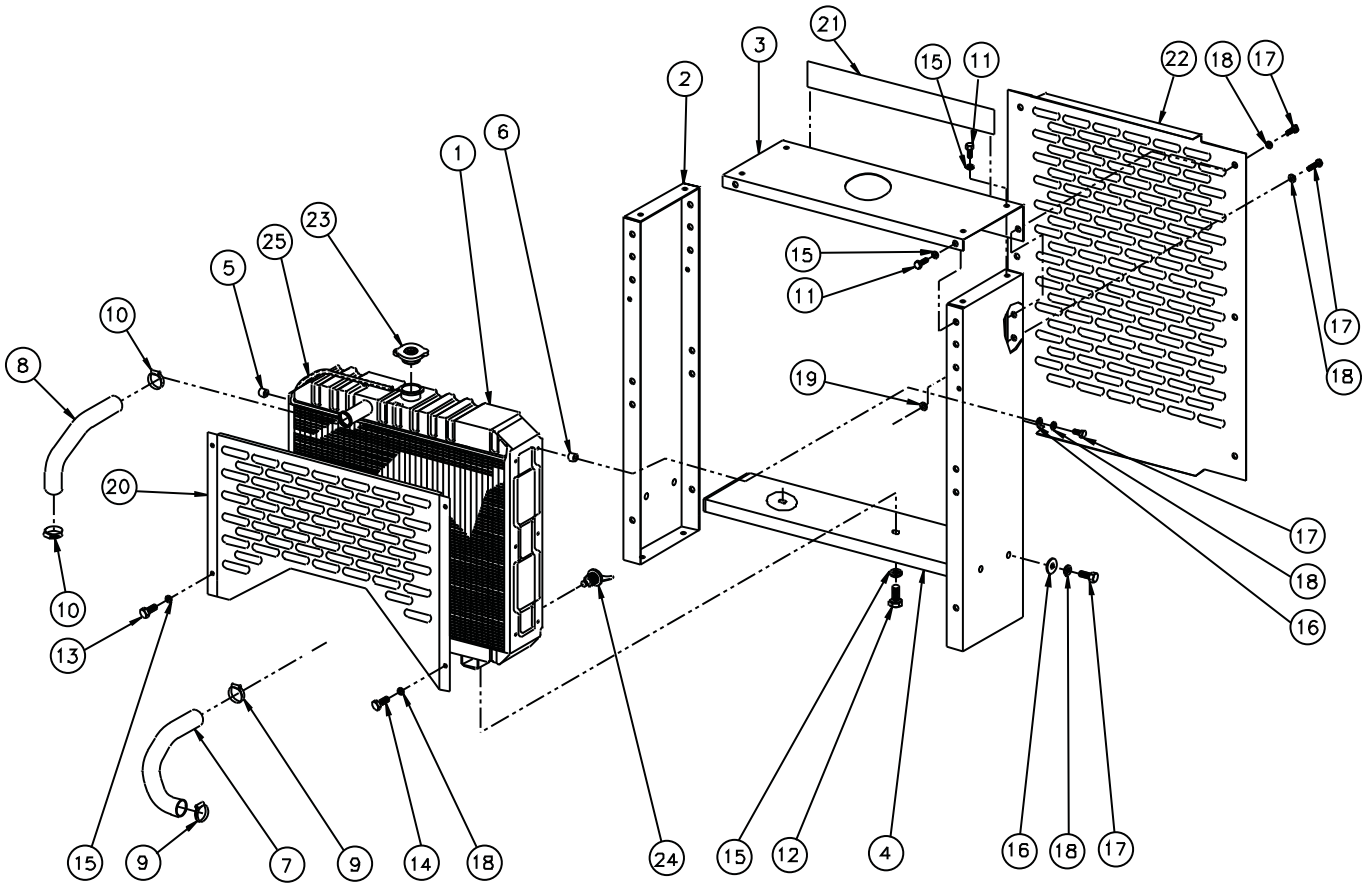


A-3706/ C-2204

KEY	PART NUMBER	QTY	DESCRIPTION	SERIAL NUMBER
••	25-12057	1	Raw Water Pump Assembly (includes keys #1 - #17)	from S/N xxxx-5824
•	25-12004	1	Repair Kit (includes keys #3, #5, #6, #7, #8, #9, #11)	-
1	25-12058	1	Housing	-
2	25-12059	1	Shaft	-
3	25-12060	1	Impeller	-
4	25-12061	1	Cam	-
5	25-12062	1	Wear Plate	-
6	25-12063	1	End Cover	-
7	25-12064	2	Bearing	-
8	25-12065	1	Lip Seal	-
9	25-12066	1	Mechanical Seal	-
10	25-12017	1	Spline Seal	-
11	25-12067	1	O-Ring	-
12	25-12068	1	Retaining Ring	-
13	25-12069	1	Retaining Ring	-
14	25-12070	1	Washer	-
15	25-12071	1	Machine Screw, Pan Head #10-32 x 3/8 S/S	-
16	25-12072	1	Machine Screw, Hex Head #10-32 x 3/8 S/S	-
17	25-12073	1	Lock Washer #10 S/S	-

Radiator and Guard

Industrial Application



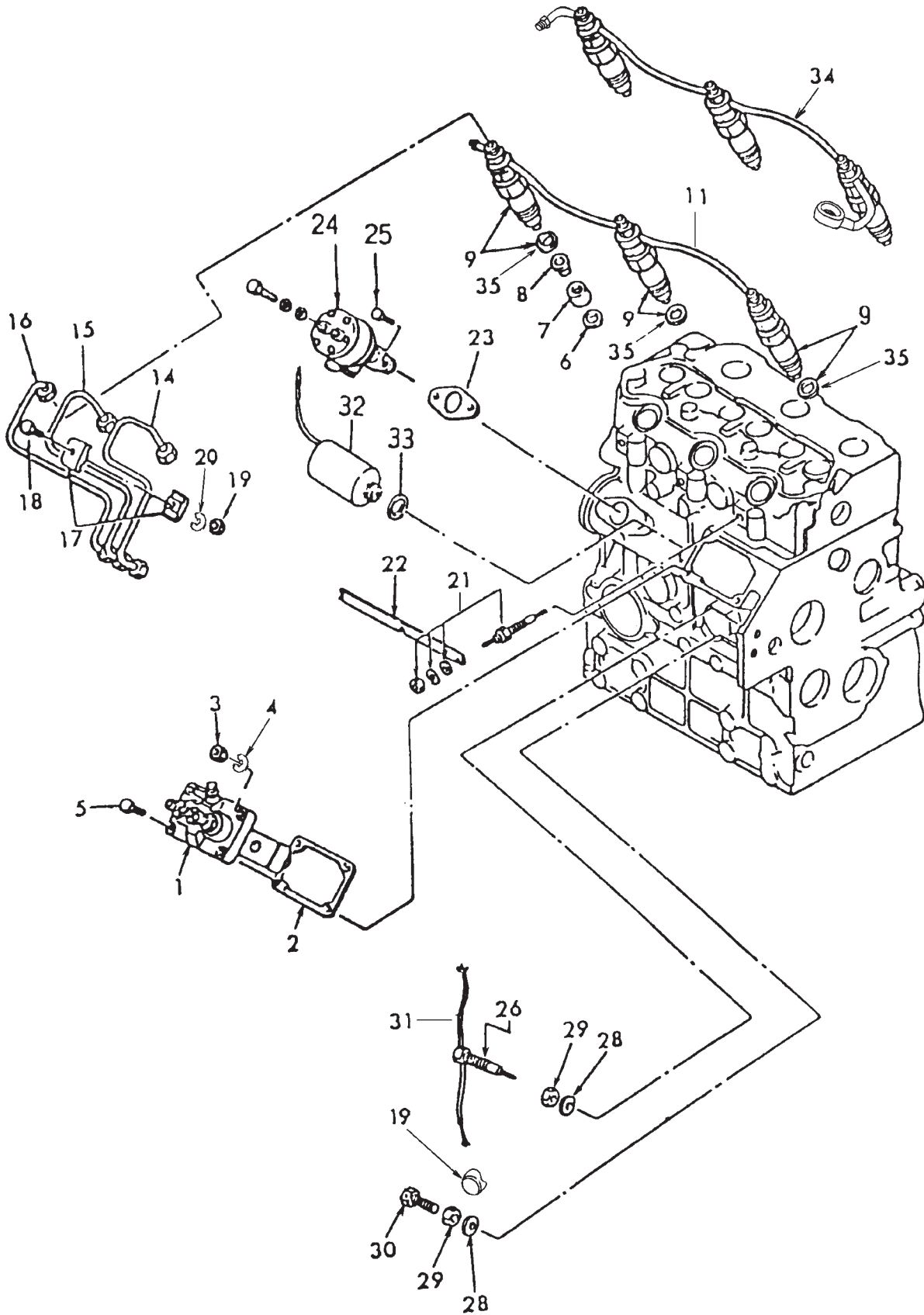
A-6504A, A-6202 / D-3494

Radiator and Guard

Industrial Application

KEY	PART NUMBER	QTY	DESCRIPTION	SERIAL NUMBER
1	145506531	1	Radiator (Used with Blower Fan, formerly #145506530)	-
2	39-18204	2	Side Panel, Radiator Guard	-
3	39-18205	1	Top Panel, Radiator Guard	-
4	39-18206	1	Radiator Support	-
5	21-41103	1	Spacer	-
6	21-74502	1	Spacer	-
7	145536310	1	Hose, Outlet	-
8	145536300	1	Hose, Inlet	-
9	19-00024	2	Hose Clamp #24	-
10	19-00020	2	Hose Clamp #20	-
11	12-00751	8	Capscrew, Hex Head M8 x 1.25 x 16 mm	-
12	12-00711	2	Capscrew, Hex Head M8 x 1.25 x 20 mm	-
13	12-00712	1	Capscrew, Hex Head M8 x 1.25 x 25 mm	-
14	12-00713	1	Capscrew, Hex Head M8 x 1.25 x 35 mm	-
15	15-00702	12	Lock Washer	-
16	15-00701	12	Flat Washer	-
17	12-00062	12	Capscrew, Hex Head M6 x 1.0 x 10 mm	-
18	15-01132	8	Lock Washer	-
19	15-00008	8	Flat Washer	-
20	39-18208	1	Fan Guard	-
21	00-70075	1	Label, "Northern Lights Generators"	-
22	39-18209	1	Grille, Radiator Guard	-
23	1455446060	1	Cap Assembly	-
24	310130030	1	Drain Cock	-
25	310120100	1	Overflow Pipe	-

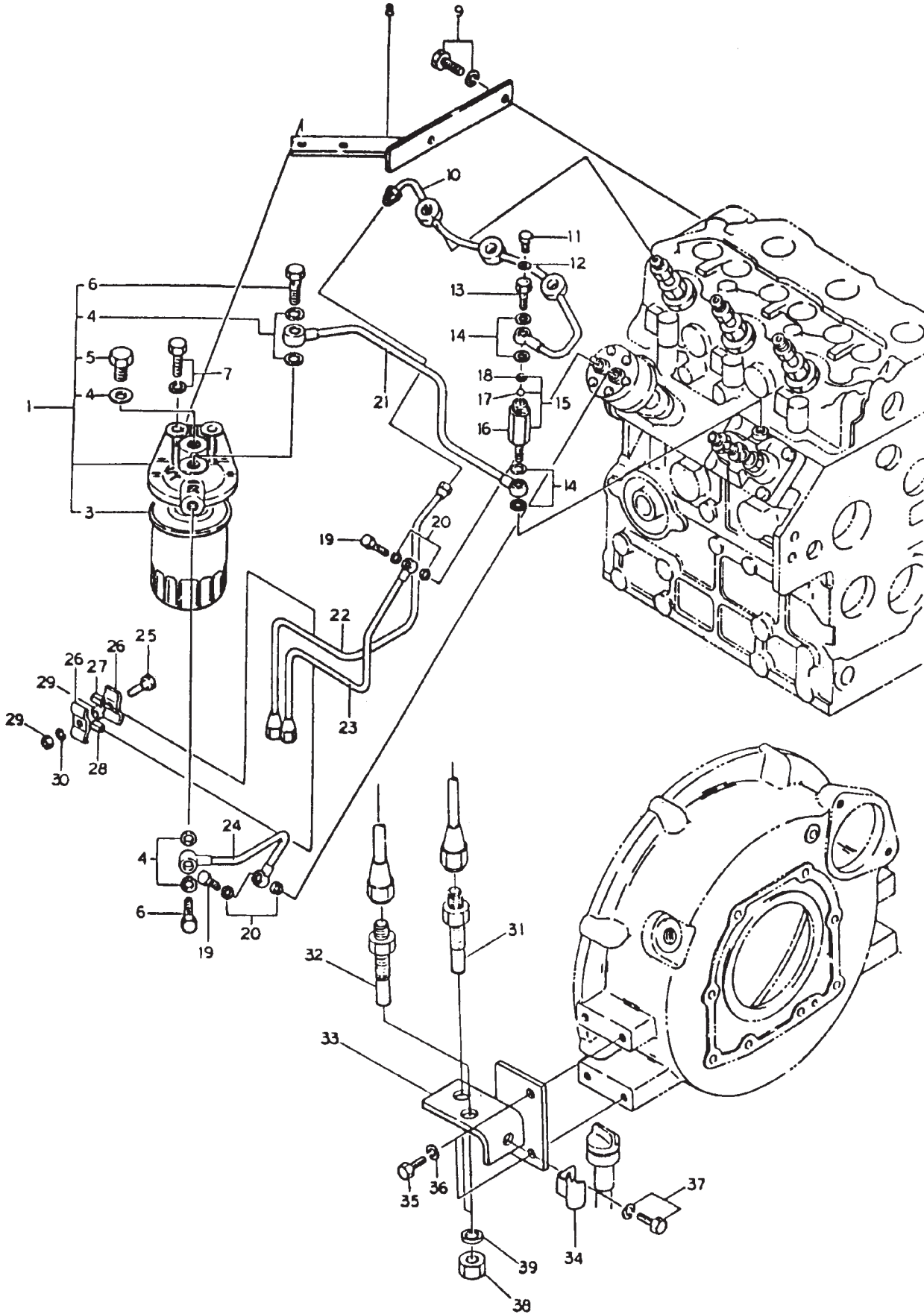
Injection Pump and Lines



Injection Pump and Lines

KEY	PART NUMBER	QTY	DESCRIPTION	SERIAL NUMBER
1	131017640	1	Injection Pump	-
2	131426300	1	Shim Kit	-
3	020100006	2	Nut	-
4	027109010	2	Spring Washer	-
5	011300620	2	Bolt	-
6	198996050	3	Gasket	-
7	111316230	3	Insert	-
8	111346020	3	Cap	-
9	131406330	3	Nozzle & Holder - see detail	-
11	131606160	1	Return Line (Industrial)	-
14	131506650	1	Pipe #1	-
15	131506660	1	Pipe #2	-
16	131506670	1	Pipe #3	-
17	199106020	4	Clamp	-
18	010100625	2	Bolt	-
19	020100006	2	Nut	-
20	027100006	2	Spring Washer	-
21	185366060	3	12 Volt Glow Plug	-
	185366100	3	24 Volt Glow Plug	-
22	185376110	1	Connector	-
23	130996070	1	Gasket	-
24	130506140	1	Feed Pump - see detail	-
25	011150616	2	Bolt	-
26	131466060	1	Smoke Set	-
28	025100010	2	Sealing Washer	-
29	023109002	2	Nut	-
30	010109271	1	Speed Set Bolt	-
31		1	Wire (not available separately)	-
32	185206082	1	12 Volt Solenoid	-
	185206200	1	24 Volt Solenoid	-
33	025100016	1	Sealing Washer	-
34	131606250	1	Return Line (Marine)	-
35	131426010	3	Sealing Washer	-

Fuel Filter and Piping



Fuel Filter and Piping

KEY	PART NUMBER	QTY	DESCRIPTION	SERIAL NUMBER
1	130306190	1	Fuel Filter Assembly (includes keys #3-6)	-
3	24-52020	1	Fuel Filter	-
4	130326051	5	Gasket	-
5	130396030	1	Plug	-
6	130436011	2	Joint Bolt	-
7	011301025	2	Bolt	-
8	131976060	1	Mounting Bracket	-
9	011300816	2	Bolt	-
10	131606250	1	Return Pipe	-
11	131236200	1	Screw	-
12	131426190	1	Washer	-
13	131236190	1	Bolt	-
14	198996071	4	Gasket	-
15	140036140	1	Valve Assembly	-
16	198487001	1	Connector	-
17	048100010	1	Steel Ball	-
18	198116230	1	Rubber	-
19	130516092	2	Joint Bolt	-
20	198996060	4	Gasket	-
21	130556500	1	Pipe	-
22	130556510	1	Pipe	-
23	130556490	1	Pipe	-
	130556681	**	Banjo Fitting 5/16-37T (Fuel Pump Inlet)	-
24	130556480	1	Pipe	-
25	011300825	1	Bolt	-
26	399110160	2	Clamp	-
27	198116320	1	Rubber	-
28	198116310	1	Rubber	-
29	020700008	2	Nut	-
30	027100008	1	Spring Washer	-
31	130226050	1	Connector	-
32	130226040	1	Connector	-
33	130976280	1	Bracket	-
34	140976040	1	Clamp	-
35	199436350	2	Bolt 3/8-16 x 3/4"	-
36	027100010	2	Spring Washer 3/8	-
37	011300812	1	Bolt 3/8-16 x 3/4"	-
38	020100012	2	Nut 3/8	-
39	027100012	2	Spring Washer	-

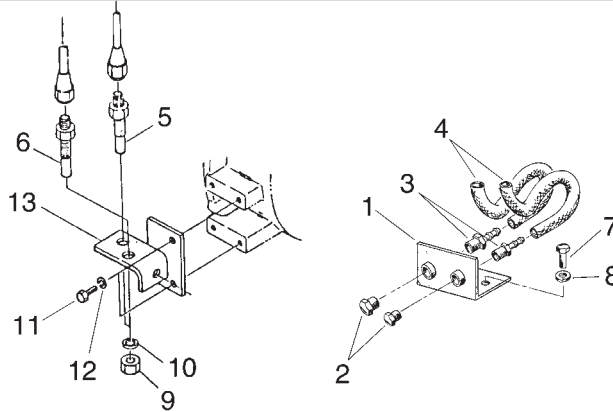
*Note: Fuel lines #22 & #23 & items #25 - #39 not used on marine units with U.S. Coast Guard fuel lines.

**As required.

GROUP 4 – FUEL SYSTEM

Fuel Line Connection

Marine Applications

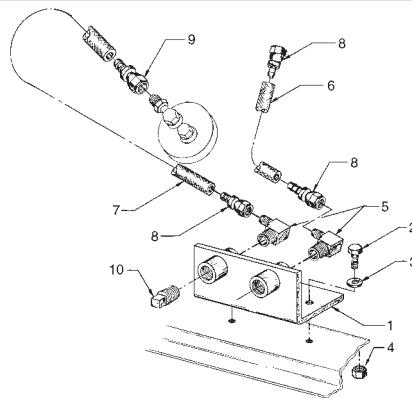


A-6136/ P753fuelpiping

KEY	PART NUMBER	QTY	DESCRIPTION	SERIAL NUMBER
1	10-51099	1	Manifold	-
2	21-00046	2	Plug 1/4 NPT (for shipping)	-
3	21-71030	2	Male Connector, Brass 1/4 NPT x 3/8 HB	-
4	18-71029	2	Hose 3/8" ID x 12"	-
5	130226050	1	Bulkhead Fitting, Brass 1/4-45T x 3/8 HB	-
6	130226040	1	Bulkhead Fitting, Brass 3/8-45T x 3/8 HB	-
7	12-01102	2	Capscrew, Hex Head M6 x 1.0 x 16mm S/S	-
8	15-00610	2	Lock Washer M6 S/S	-
9	020100012	2	Hex Nut M12 x 1.75	-
10	027100012	2	Lock Washer M12	-
11	199436350	2	Bolt	-
12	027100010	2	Lock Washer M10	-
13	130976280	1	Bracket	-
14	19-00004	4	Hose Clamp (not shown)	-

Fuel Line Connection

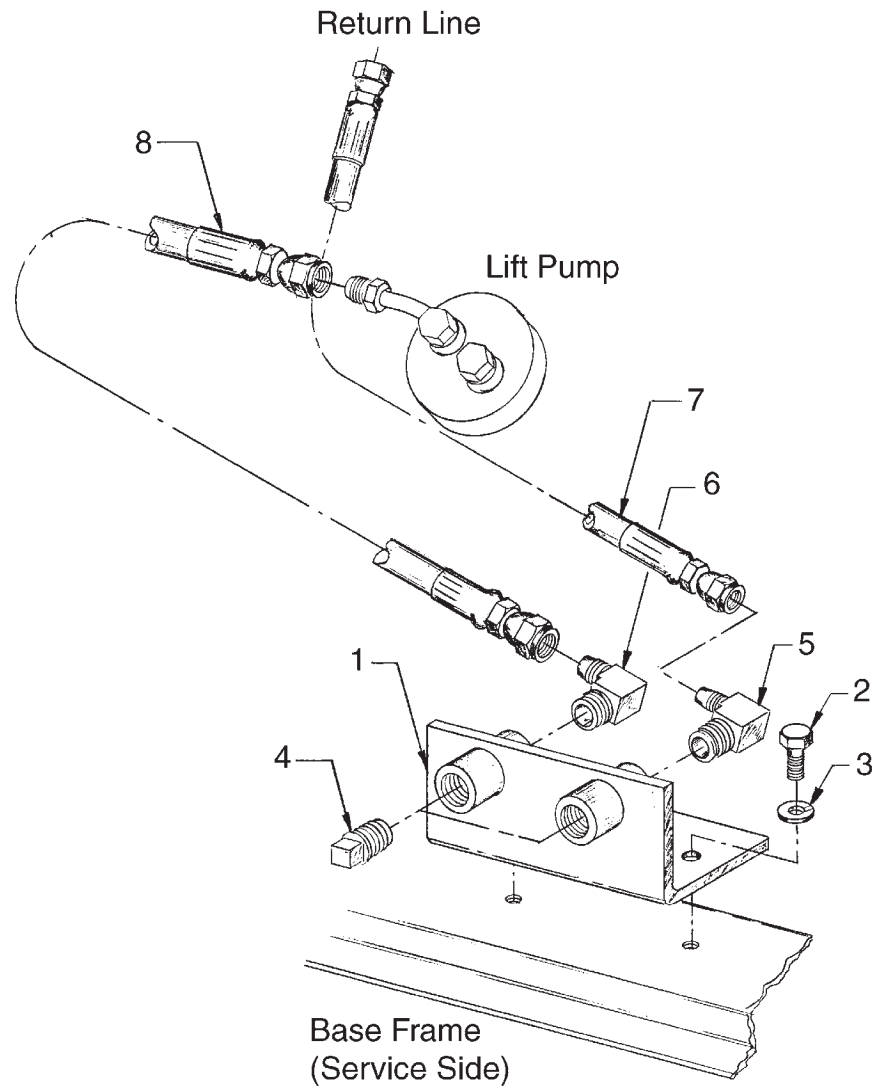
Industrial Applications



A-6705/ C-2920

KEY	PART NUMBER	QTY	DESCRIPTION	SERIAL NUMBER
1	10-51099	1	Manifold	-
2	12-01131	2	Capscrew, Hex Head M6 x 1.0 x 20mm	-
3	15-00008	2	Flat Washer M6	-
4	14-04803	2	Nylock Nut M6 x 1.0	-
5	21-71044	2	Male Elbow, 90° Brass 1/4 NPT x 1/4-45T	-
6	18-51002	1	Hose 1/4" x 17"	-
7	18-51902	1	Hose 1/4" ID x 15"	-
8	21-71045	3	Female Swivel, Brass 1/4 HB x 1/4-45T	-
9	21-71048	1	Female Swivel, Brass 1/4 HB x 5/16-45T	-
10	21-00046	2	Plug, 1/4 NPT (for shipping)	-

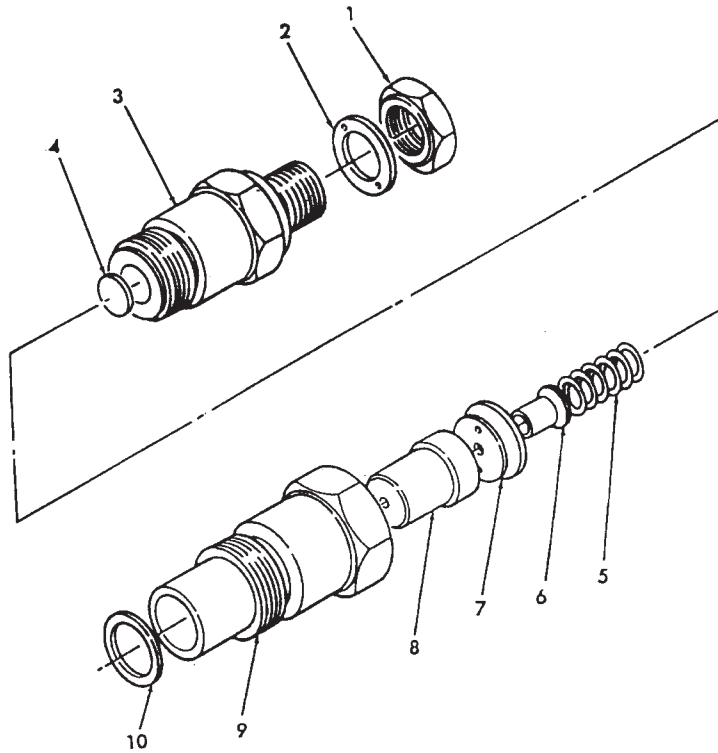
U.S. Coast Guard Fuel Line Connection



A-6705/ C-2936

KEY	PART NUMBER	QTY	DESCRIPTION	SERIAL NUMBER
1	10-51099	1	Manifold	-
2	12-01131	2	Capscrew, Hex Head M6 x 1.0 x 20 mm	-
3	15-01132	2	Lock Washer M6	-
4	21-00046	2	Plug, 1/4 NPT (for shipping)	-
5	21-71049	1	Male Elbow 90°, Steel 1/4 NPT x 1/4-37T	-
6	21-74411	1	Male Elbow 90°, Steel 1/4 NPT x 5/16-37T	-
7	18-58204	1	Hose Assembly 1/4" ID x 19"	-
8	18-58203	1	Hose Assembly 1/4" ID x 23"	-

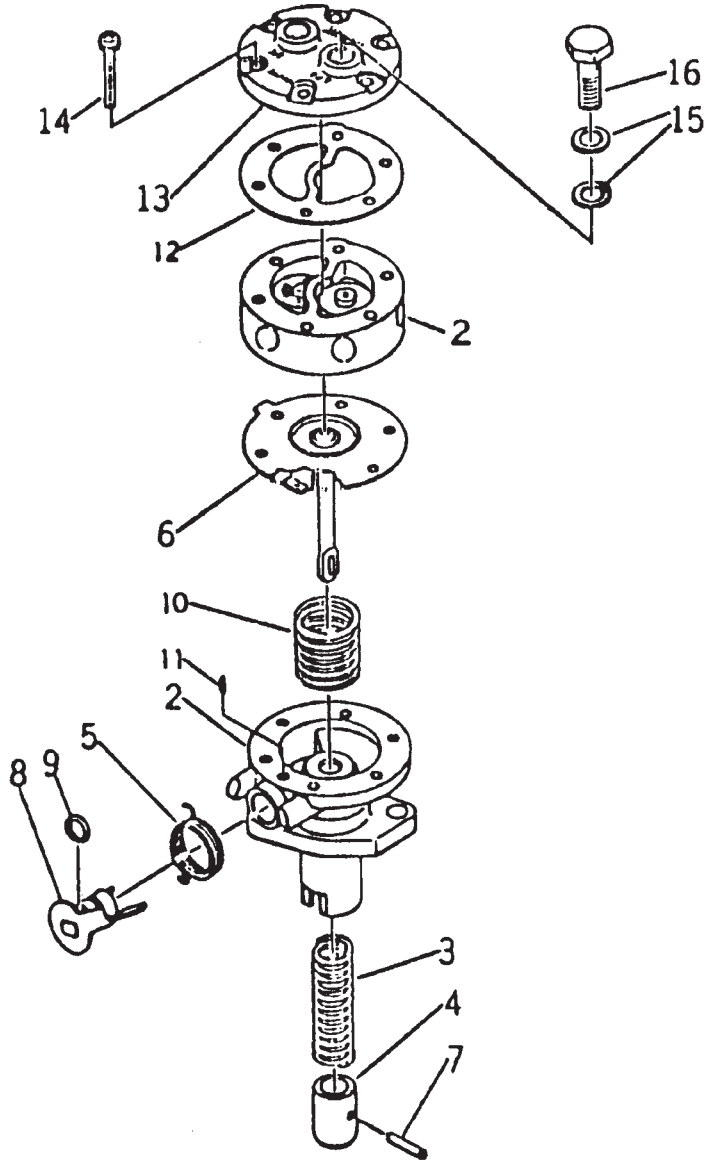
Injector



KEY	PART NUMBER	QTY	DESCRIPTION	SERIAL NUMBER
••	131406330		Injector Assembly	from S/N xxxx-8553
1	131446008		Nut	-
2	131426120	1	Washer	-
3	131446054	1	Body Assembly	-
4	131436540	**	Washer; t = 1.00 mm	-
	131436550	**	Washer; t = 1.05 mm	-
	131436560	**	Washer; t = 1.10 mm	-
	131436570	**	Washer; t = 1.15 mm	-
	131436580	**	Washer; t = 1.20 mm	-
	131436590	**	Washer; t = 1.25 mm	-
	131436600	**	Washer; t = 1.30 mm	-
	131436610	**	Washer; t = 1.35 mm	-
	131436620	**	Washer; t = 1.40 mm	-
	131436630	**	Washer; t = 1.45 mm	-
	131436640	**	Washer; t = 1.50 mm	-
	131436650	**	Washer; t = 1.55 mm	-
	131436660	**	Washer; t = 1.60 mm	-
	131436670	**	Washer; t = 1.65 mm	-
	131436680	**	Washer; t = 1.70 mm	-
	131436690	**	Washer; t = 1.75 mm	-
	131436700	**	Washer; t = 1.80 mm	-
	131436710	**	Washer; t = 1.85 mm	-
	131436720	**	Washer; t = 1.90 mm	-
	131436730	**	Washer; t = 1.95 mm	-
5	131446011	1	Spring	-
6	131446012	1	Pin	-
7	131446058	1	Distance Piece	-
8	131416140	1	Nozzle Assembly	-
9	131446064	1	Nut	-
10	131426010	1	Gasket (former #131426130)	-

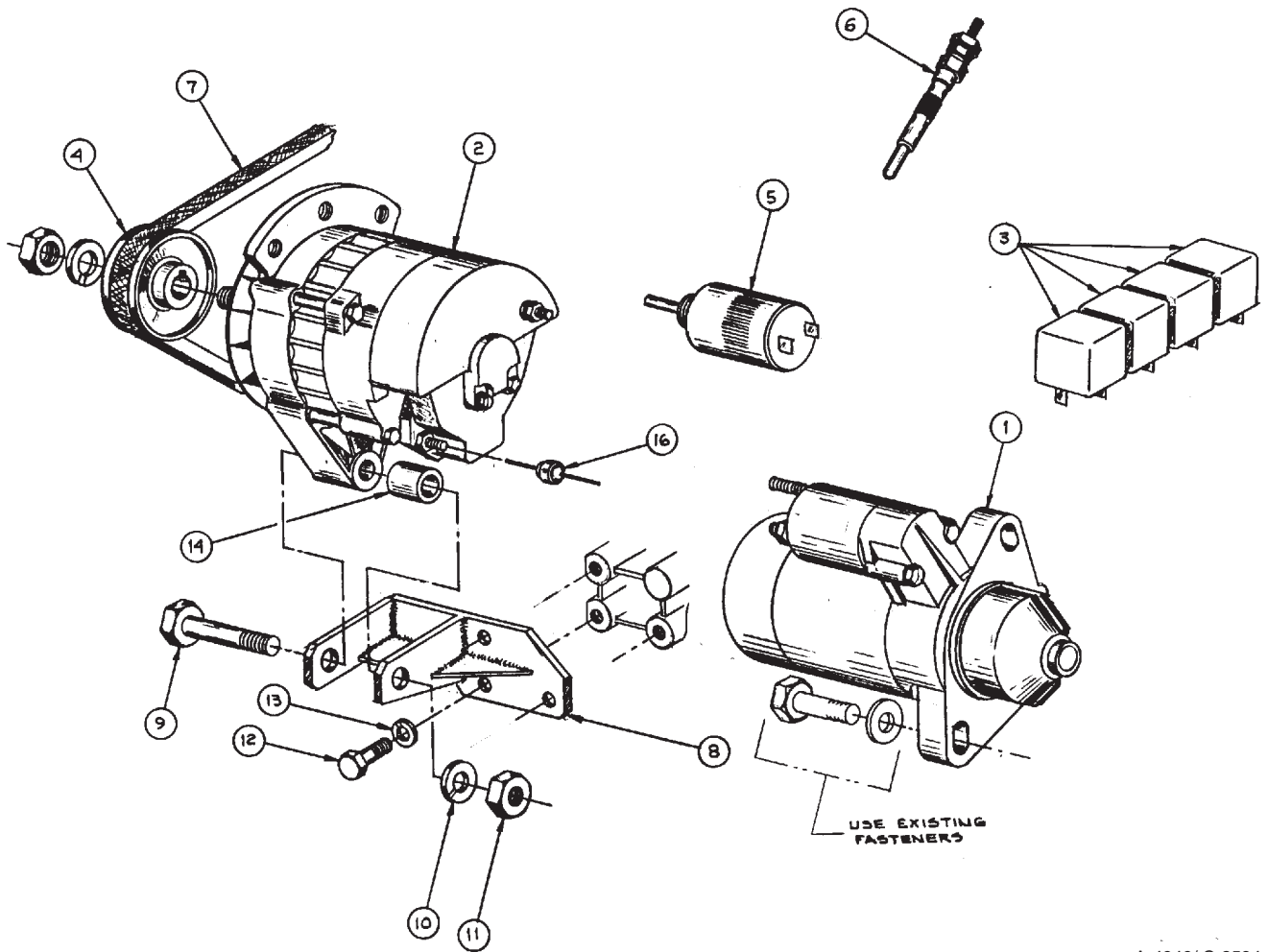
**As required.

Fuel Feed Pump



KEY	PART NUMBER	QTY	DESCRIPTION	SERIAL NUMBER
••	130506140	1	Fuel Feed Pump Assembly (includes keys #2 - #16)	-
2		1	Housing (not available separately)	-
3	130516081	1	Spring	-
4	130516082	1	Piston	-
5	130516083	1	Spring	-
6	130516084	1	Diaphragm	-
7	130516085	1	Pin	-
8	130516086	1	Lever	-
9	131226180	1	O-Ring	-
10	130516087	1	Spring	-
11	130516088	1	Guide	-
12	130516089	1	Gasket	-
13	130516090	1	Cap	-
14	130516091	6	Screw	-
15	130516069	4	Gasket	-
16	130516092	2	Joint Bolt	-

Engine Electrical - 24 Volt Standard Ground

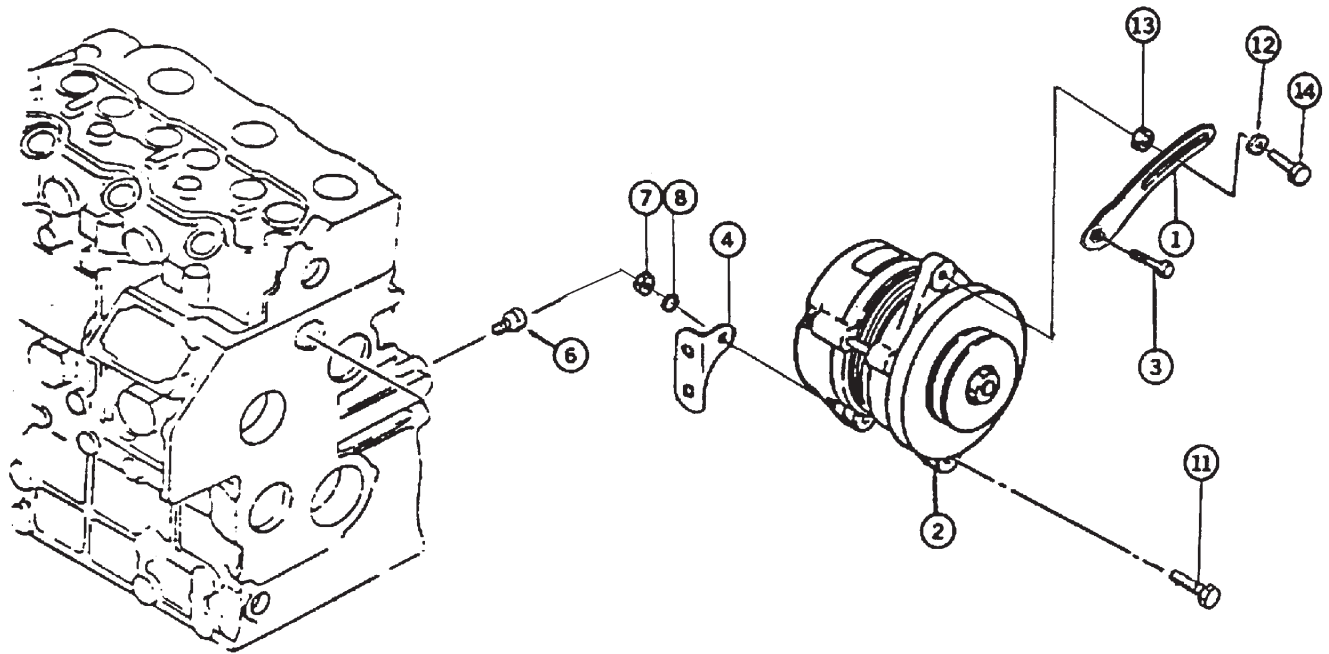


A-4949/ C-2534

KEY	PART NUMBER	QTY	DESCRIPTION	SERIAL NUMBER
1	22-48221	1	24V Starting Motor (Nippondenso)	-
	22-95430	1	S-1B 24 Volt Control Panel (see detail)	-
2	22-71052	1	24V/35A Alternator	-
3	22-40085	4	24V DC Relay SPDT	-
4	34-41017	1	Single Groove Pulley	-
5	185206200	1	24V Stop Solenoid	-
6	185366100	3	24V Glow Plug	-
7	40-41900	1	Drive Belt	-
8	23-48202	1	Alternator Mounting Bracket	-
9	12-00552	**	Capscrew, Hex Head 1/2-13 x 3-1/2"	-
	12-00515	**	Capscrew, Hex Head 1/2-13 x 1-3/4"	-
10	15-00504	1	Flat Washer 1/2 SAE	-
11	14-00512	1	Nylock Nut 1/2-13	-
12	12-00711	4	Capscrew, Hex Head M8 x 1.25 x 20 mm	-
13	15-00702	4	Helical Lock Washer M8	-
14	21-48201	**	Spacer, BP 1/2" Schedule 40 x 1.25"	-
15		1	Alternator Gound Wire (Required with #22-71052)	-
16	22-41060	1	Diode, 1 Amp 50 PIV	-
			**As required.	

12 Volt Alternator Mounting

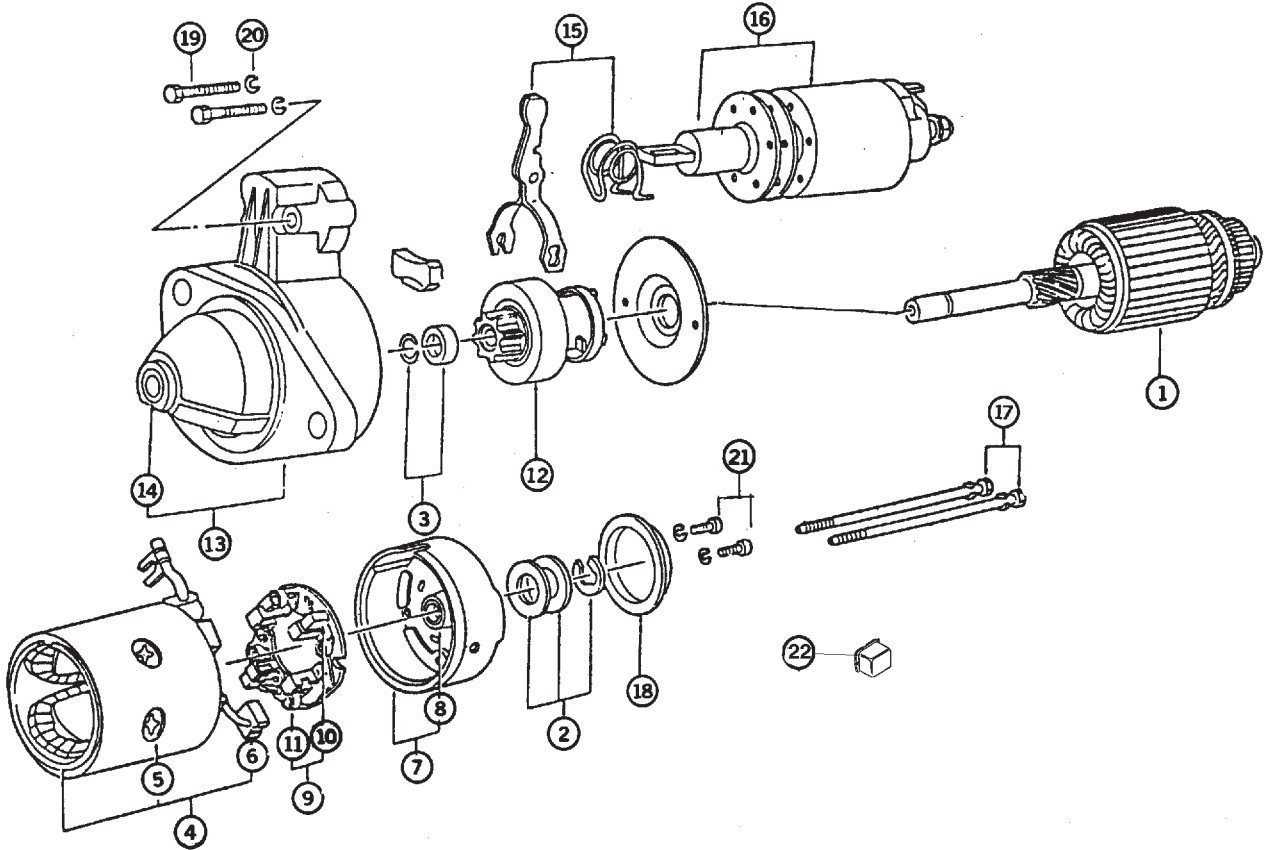
Standard and Isolated Ground



KEY	PART NUMBER	QTY	DESCRIPTION	SERIAL NUMBER
1	185726971	1	Tensioner	-
2	185046220	1	12V Alternator (Standard Ground)	-
	22-48206	1	12V Alternator (Isolated Ground)	-
3	011300650	1	Bolt	-
4	185976220	1	Bracket, Alternator	-
5	010100830	1	Bolt	-
6	011300816	2	Bolt	-
7	020100010	1	Nut	-
8	027100010	1	Washer	-
11	010101045	1	Bolt	-
12	026100008	1	Washer	-
13	199236680	1	Spacer	-
14	011300840	1	Bolt, Alternator	-

12 Volt Starting Motor

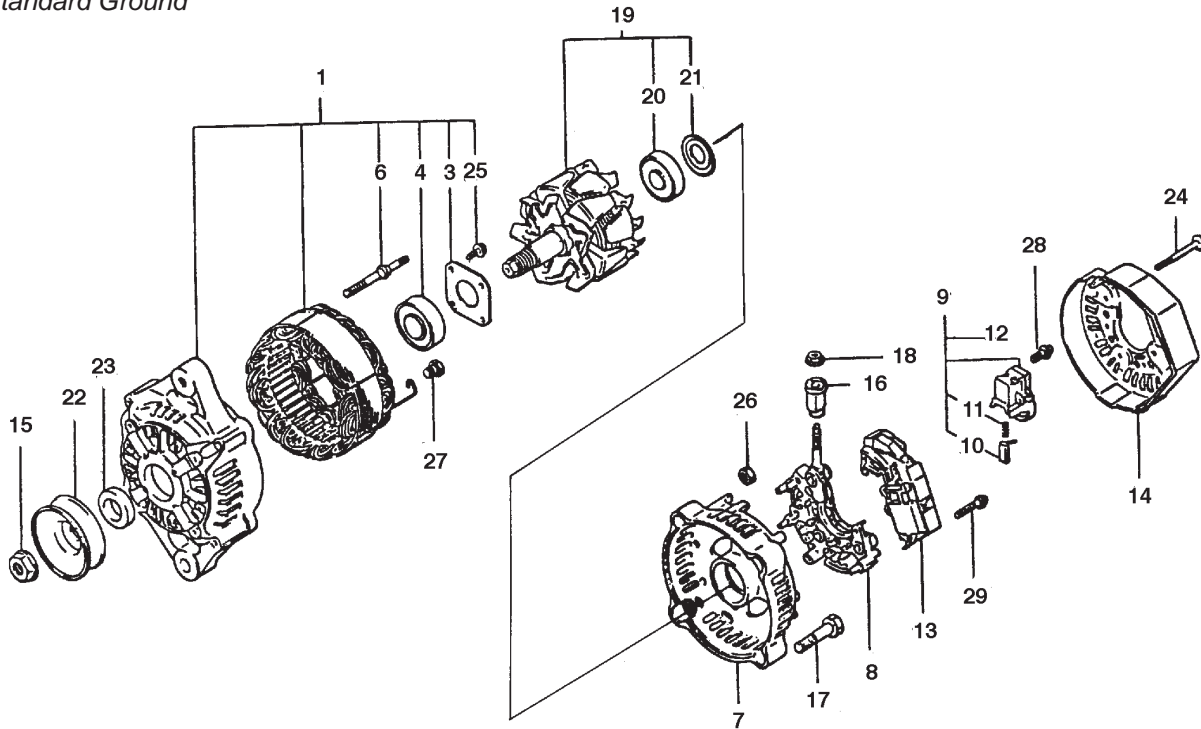
Standard Ground



KEY	PART NUMBER	QTY	DESCRIPTION	SERIAL NUMBER
••	185086321	1	Starting Motor Complete (includes all keys)	-
1	185846159	1	Armature Assembly	-
2	185846126	1	Thrust Washer Kit	-
3	185846127	1	Pinion Stopper Set	-
4	185846160	1	Field Coil Assembly (includes keys #5 & #6)	-
5	185846161	4	Set Screw	-
6	185416130	2	Brush	-
7	185846449	1	Rear Cover Assembly (includes key #8)	-
8	185846131	1	Rear Cover	-
9	185416150	1	Brush Holder Assembly (includes keys #10 & #11)	-
10	185416141	2	Brush	-
11	185846119	3	Spring	-
12	185866050	1	Pinion Assembly	-
13	185846454	1	Gear Case Assembly (includes key #14)	-
14	185846134	1	Bushing	-
15	185846165	1	Lever Kit	-
16	185816180	1	Switch Assembly	-
17	185846166	2	Bolt	-
18	185846136	1	Cover	-
19	185846300	2	Bolt	-
20	027100006	2	Washer	-
21	015140412	2	Screw Assembly	-
22	285640030	1	Plug Assembly with 3 Connectors	-

12 Volt Alternator - Built-in Regulator

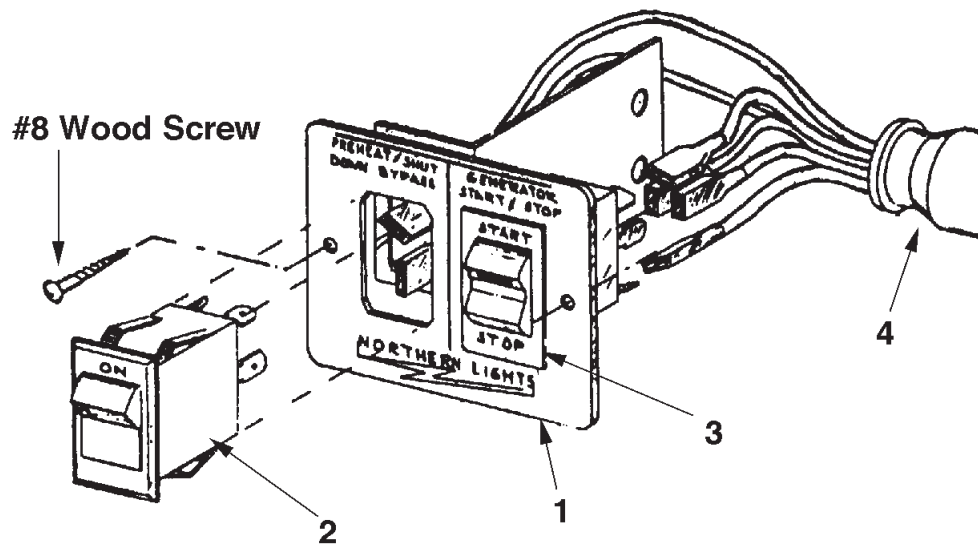
Standard Ground



KEY	PART NUMBER	QTY	DESCRIPTION	SERIAL NUMBER
••	185046220	1	Alternator with Regulator	-
1	185446221	1	Frame (includes keys #3, #4, #6 & #25)	-
2		1	Drive End Frame (not available separately)	-
3	185446223	1	Retainer Plate	-
4	185446224	1	Ball Bearing	-
5		1	Stator (not available separately)	-
6	185446227	2	Stud Bolt	-
7	185446228	1	Rear End Frame	-
8	185446229	1	Rectifier Holder	-
9	185446230	1	Brush Holder (includes keys #10 through #12)	-
10	185446231	2	Brush	-
11	185446232	2	Spring	-
12		1	Seal (not available separately)	-
13	185446234	1	Regulator Assembly	-
14	185446235	1	Rear End Cover	-
15	185446236	1	Nut	-
16	185446237	1	Insulation Brush	-
17	185446238	2	Bolt	-
18	185446239	1	Nut	-
19	185446240	1	Rotor Assembly (includes keys #20 & #21)	-
20	185446241	1	Ball Bearing	-
21	185446242	1	Bearing Cover	-
22	185446243	1	Pulley	-
23	185446244	1	Collar	-
24	185446245	3	Bolt	-
25	185446258	4	Bolt	-
26	185446259	2	Nut	-
27	185446260	6	Bolt	-
28	185446261	1	Bolt	-
29	185446262	2	Bolt	-

Series 1 Control Panel - 12 & 24 Volt

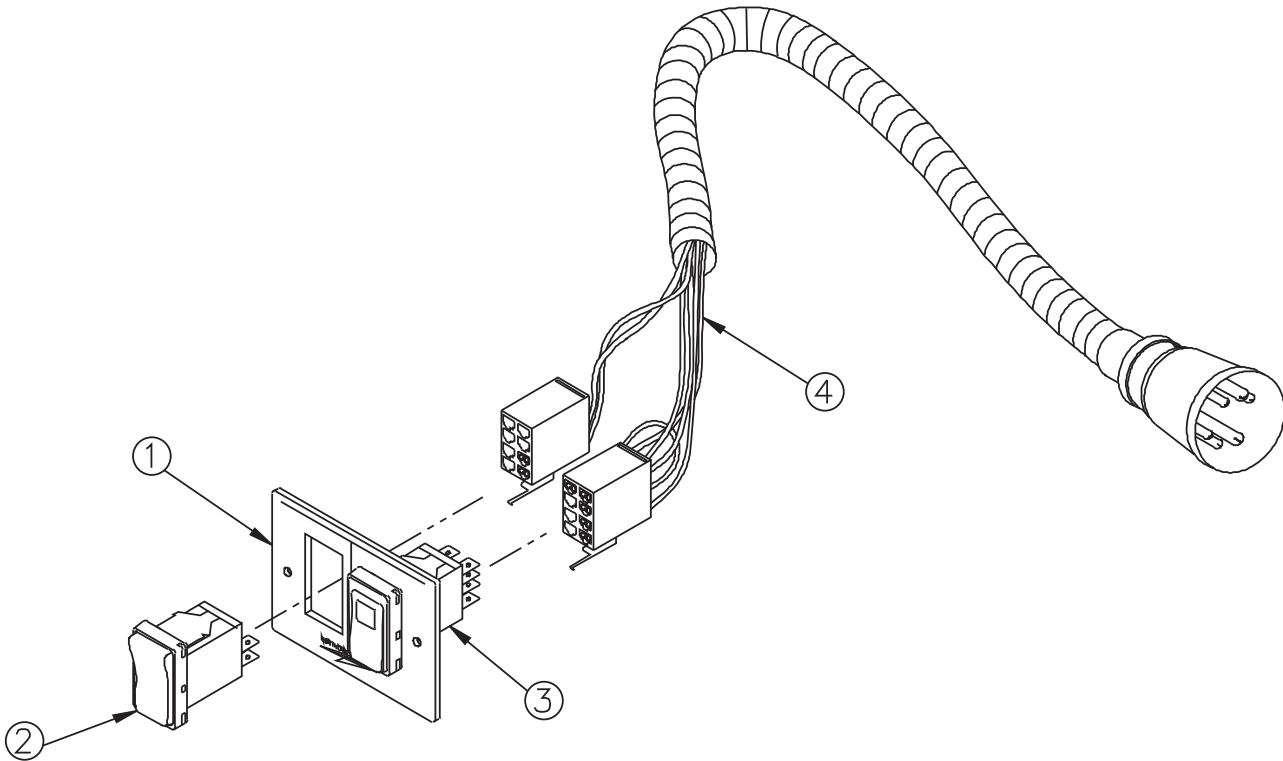
Marine Generator Application



A-2863 + A-4793 / B-2873

KEY	PART NUMBER	QTY	DESCRIPTION	SERIAL NUMBER
••		1	Series 1 Control Panel - 12 Volt (includes all keys) *	-
••		1	Series 1 Control Panel - 24 Volt (includes all keys) *	-
1	00-40013	1	Plate	-
2		1	Preheat/Shutdown-Bypass Switch **	-
3		1	Engine Control Switch **	-
4	22-90009	1	Wire Harness	-
5	22-40012	1	Resistor, 200 Ohm 2 Watt - 24 Volt Only (not shown)	-
			* Replaced by 22-90610 (12 Volt) or 22-90615 (24 Volt) as required.	
			** Replaced by switch retrofit kit 22-90195.	

S-1 Control Panel 12 & 24 Volt

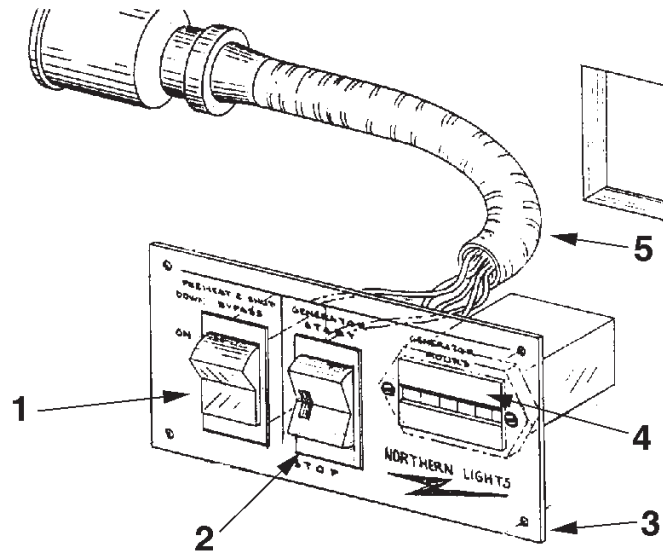


A-8551, A-8552 / B-5970

KEY	PART NUMBER	QTY	DESCRIPTION	SERIAL NUMBER
••	22-92110	1	S-1 Start/Stop Control Panel Assembly, 12 Volt (includes all keys)	-
••	22-92115	1	S-1 Start/Stop Control Panel Assembly, 24 Volt (includes all keys)	-
1	00-40013	1	Plate, S-1 Control Panel	-
2	22-90167	1	Rocker Switch	-
3	22-90168	1	Rocker Switch	-
4	22-42066	1	Wire Harness, 12 Volt	-
	22-42067	1	Wire Harness, 24 Volt	-
5	00-00013	1	Label "12 Volt" *	-
	00-00014	1	Label "24 Volt" *	-
6	22-40012	1	Resistor, 200 Ohm, 3 Watt (24 Volt Panel only) *	-
			* Not shown	

Series 1-B Control Panel - 12 & 24 Volt

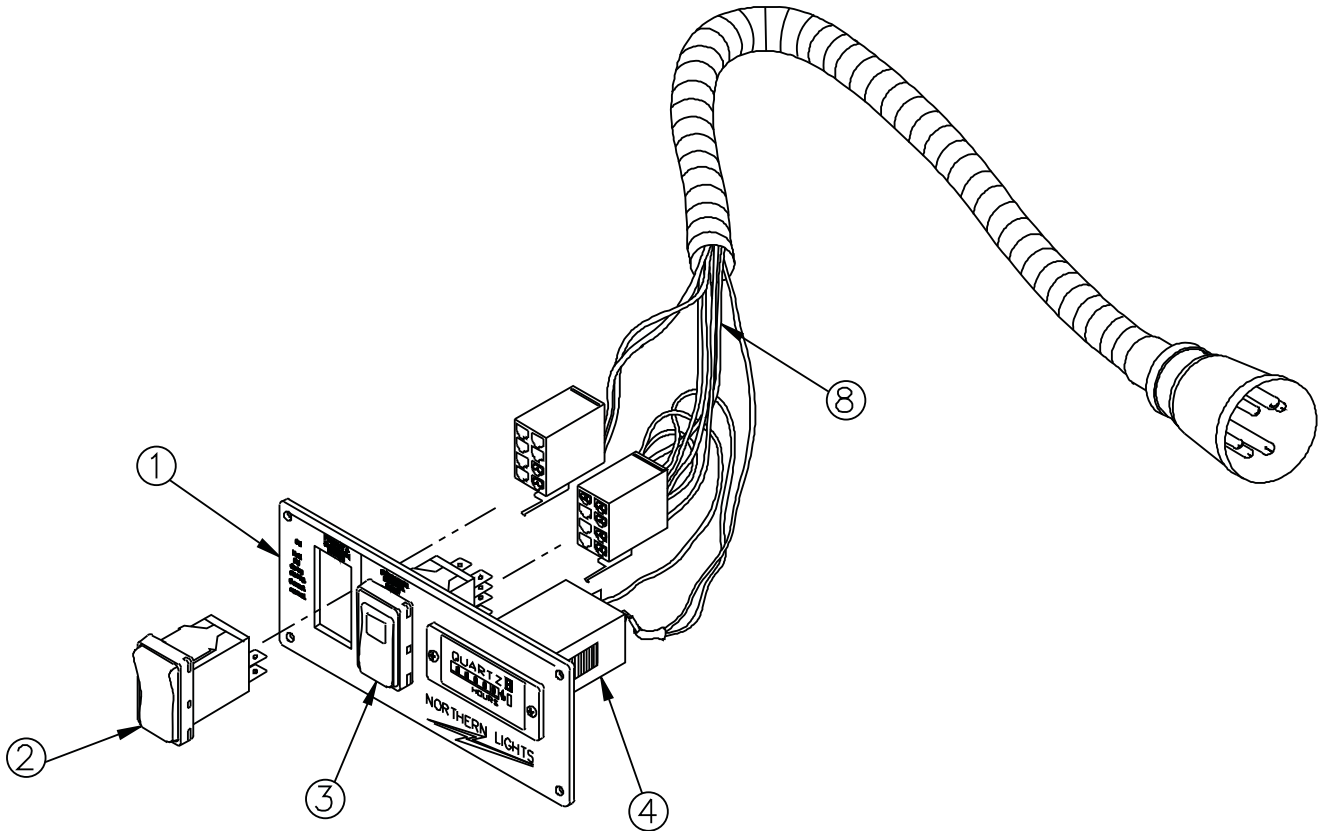
Marine Generator Application



A-4791 + A-3171 / C-1911

KEY	PART NUMBER	QTY	DESCRIPTION	SERIAL NUMBER
••		1	Series 1-B Control Panel - 12 Volt (includes all keys) *	-
••		1	Series 1-B Control Panel - 24 Volt (includes all keys) *	-
1		1	Preheat/Shutdown-Bypass Switch **	-
2		1	Engine Control Switch **	-
3	28-90003	1	Plate	-
4	22-90009	1	Hour Meter	-
5	22-40019	1	Wire Harness	-
6	22-40012	1	Resistor, 200 Ohm 2 Watt - 24 Volt Only (not shown)	-
			* Replaced by 22-92120 (12 Volt) or 22-92125 (24 Volt)	
			** Replaced by switch retrofit kit 22-90195	

S-1B Control Panel 12 & 24 Volt

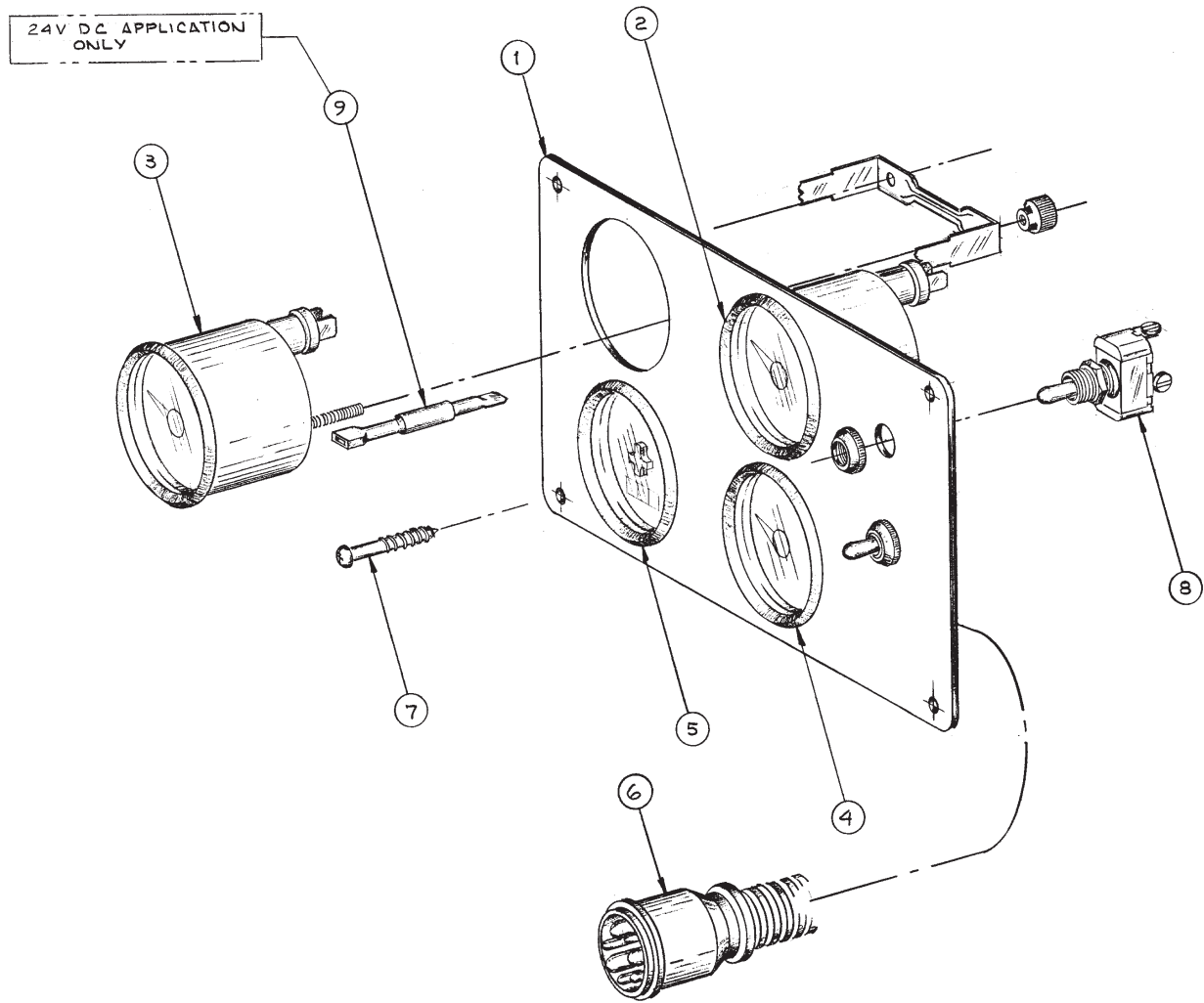


A-8553-4 / B-5971

KEY	PART NUMBER	QTY	DESCRIPTION	SERIAL NUMBER
••	22-92120	1	S-1B Control Panel Assembly, 12 Volt (includes all keys)	-
••	22-92125	1	S-1B Control Panel Assembly, 24 Volt (includes all keys)	-
1	28-90003	1	Panel, S-1B Control Panel	-
2	22-90167	1	Rocker Switch	-
3	28-90168	1	Rocker Switch	-
4	22-90009	1	Hourmeter	-
5	12-00093	2	Machine Screw, Round Head #6-32 x 1/2" S/S *	-
6	15-00030	2	Star Washer *	-
7	14-00015	2	Hex Nut *	-
8	22-42063	1	Wire Harness without Resistor 12 Volt	-
	22-42064	1	Wire Harness with Resistor 24 Volt	-
9	00-00013	1	Label "12 Volt" *	-
	00-00014	1	Label "24 Volt" *	-
10	22-40012	1	Resistor, 200 OHM **	-
			* Not shown	
			**Note: Shown for spare parts reference, included in Harness Assembly.	

Standard Line, Flush Mount, Dual Station Control Panel

12 Volt

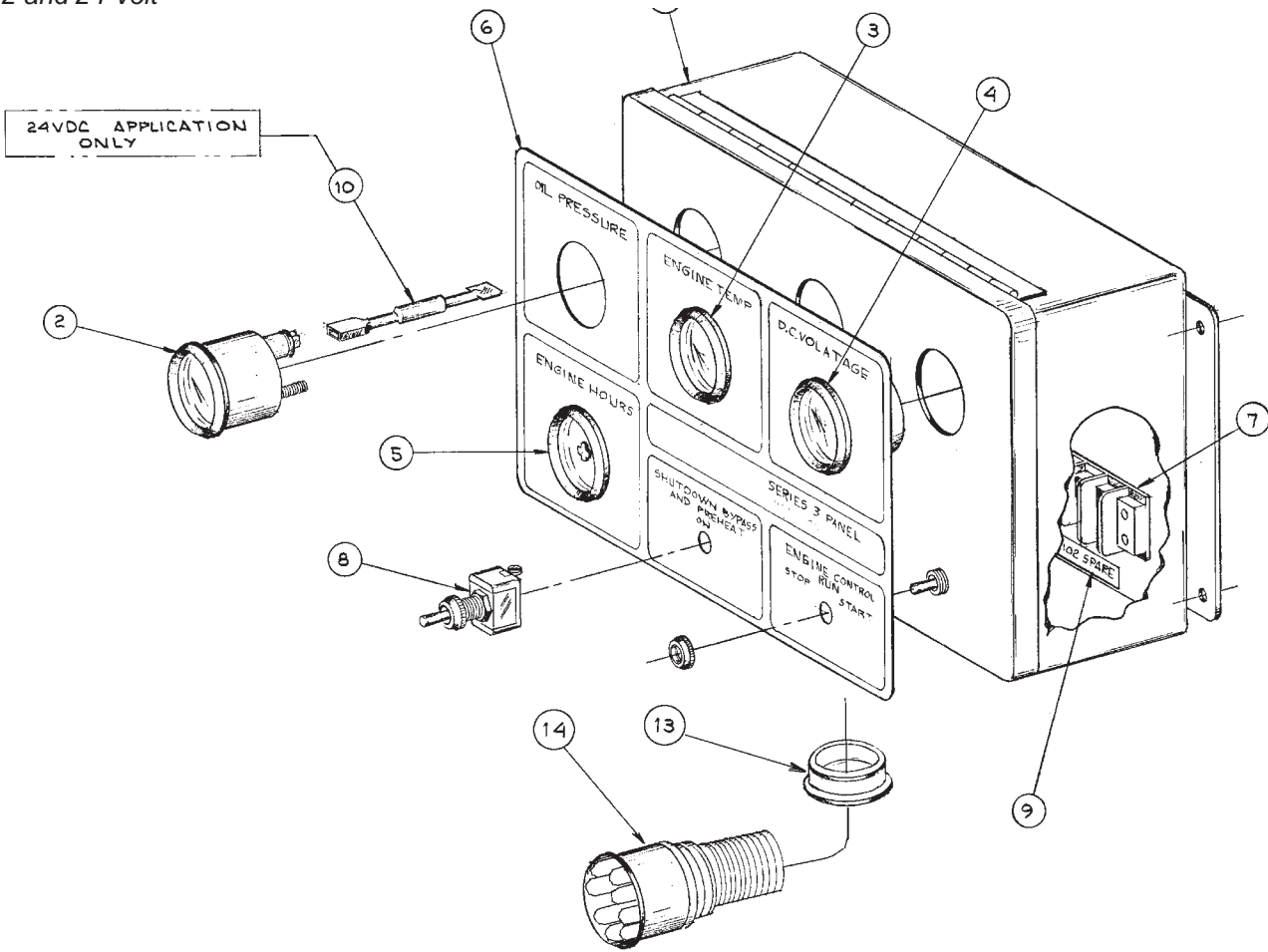


A-4732, A-4597/ C-2441

KEY	PART NUMBER	QTY	DESCRIPTION	SERIAL NUMBER
••	22-92015	1	S-3C Control Panel, 12 Volt Flush Mount (includes all keys)	-
••	22-92014	1	S-3C Control Panel, 24 Volt Flush Mount (includes all keys)	-
1	28-90010	1	Series 3 Control Panel Plate	-
2	37-40010	1	Oil Pressure Gauge 0 - 80 PSI	-
3	37-40011	1	Engine Temperature Gauge, 250°F	-
4	37-40012	1	DC Voltmeter, 12 Volt	-
	37-40014	1	DC Voltmeter, 24 Volt	-
5	37-40013	1	Hourmeter	-
6	22-40062	1	Panel Wire Harness (not shown)	-
7	12-90007	4	Self Tapping Screw, Oval Head Phillips # 6 x 3/4"	-
8	22-41051	2	SPDT Momentary Toggle Switch	-
9	22-40004	2	24 Volt Resistor Kit	-
10	22-44852	**	12 Volt Bulb (not shown)	-
	22-44853	**	24 Volt Bulb (not shown)	-
			**As required.	

Standard Line, Surface Mount, Dual Station Control Panel

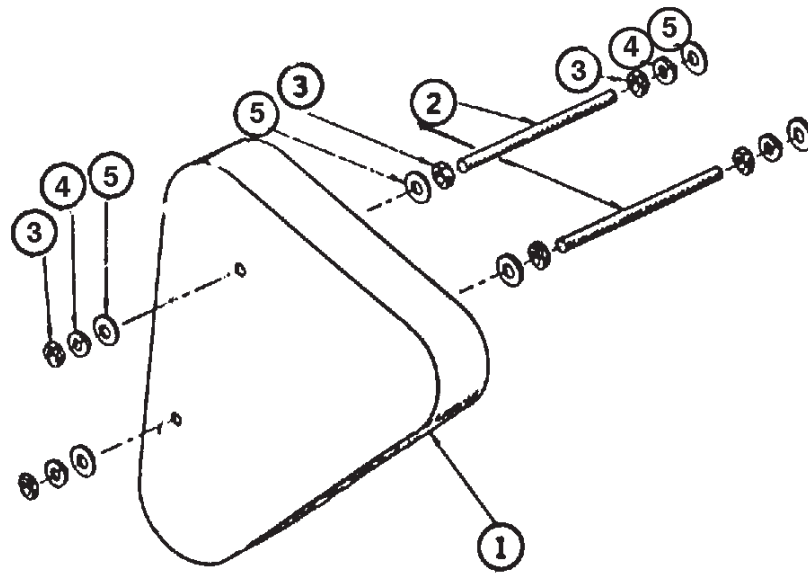
12 and 24 Volt



A-4721, A-4695, A-4722, A-4723/C-2470

KEY	PART NUMBER	QTY	DESCRIPTION	SERIAL NUMBER
••	22-92031	1	S-3B Control Panel - 12 Volt (Includes all keys)	-
••	22-95420	1	S-3B Control Panel - 24 Volt (Includes all keys)	-
1	39-42005	1	Enclosure 10" x 8" x 4" (white)	-
2	37-40010	1	Oil Pressure Gauge, Standard Line 0 - 80 PSI	-
3	37-40011	1	Engine Temperature Gauge, Standard Line 0 - 250°	-
4	37-40012	1	DC Voltmeter, 12 Volt, Standard Line	-
	37-40014	1	DC Voltmeter, 24 Volt, Standard Line	-
5	37-40013	1	Hourmeter, Standard Line	-
6	00-91018	1	Series 3 Control Panel Decal	-
7	22-41077	1	Terminal Board	-
8	22-41051	2	Toggle Switch, Momentary SPDT	-
9	22-00052	1	Number Strip	-
10	22-40004	2	Resistor Kit (24 Volt panel only)	-
11	22-44852	**	Clear Bulb, 12 Volt (not shown)	-
	22-44853	**	Clear Bulb, 24 Volt (not shown)	-
12	22-40257	1	Wire Harness (not shown)	-
13	00-41015	1	Plastic Bushing	-
14	22-40062	1	Connection Harness	-
			** As required.	

Belt Guard



A-6154

KEY	PART NUMBER	QTY	DESCRIPTION	SERIAL NUMBER
1	00-78202	1	Belt Guard	-
2	13-70003	3	Stud, All-Thread M6 x 1.0 x 130 mm	-
3	14-01131	9	Nut, M6 x 1.0	-
4	15-01132	6	Lock Washer M6	-
5	15-00008	6	Flat Washer M6	-

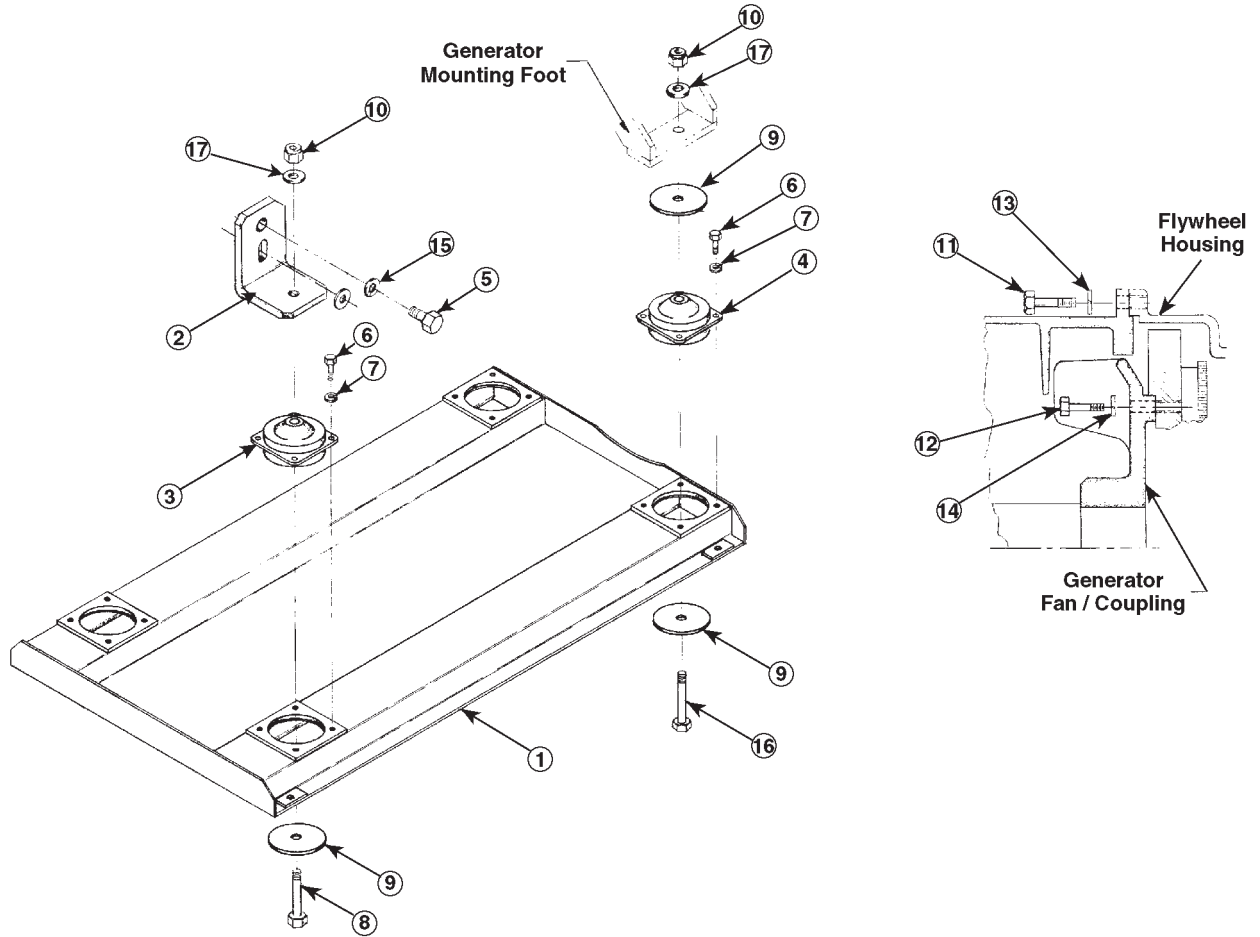
GROUP 6 – GASKET SETS

Gasket Sets

KEY	PART NUMBER	QTY	DESCRIPTION	SERIAL NUMBER
	195906430	1	Gasket Set (includes all items below)	-
	165996300	1	Front Plate Gasket, Cylinder Block	-
	110996491	1	Oil Pan Gasket	-
	111146892	1	Head Gasket, t = 1.2	-
	111146901	1	Head Gasket, t = 1.3	-
	120406050	3	Valve Guide Seal - Intake	-
	120406070	3	Valve Guide Seal Exhaust	-
	198996050	3	Prechamber Gasket	-
	111996290	1	Head Cover Gasket	-
	135996541	3	Exhaust Manifold Gasket	-
	314990013	1	Muffler Gasket (Industrial application)	-
	314990030	1	Exhaust Elbow Gasket (Marine application)	-
	165996310	1	Gear Case Gasket	-
	165996050	2	Water Pump Cover Gasket	-
	131437150	2	Injection Pump Gasket, t = 0.2 mm	-
	131437160	2	Injection Pump Gasket, t = 0.3 mm	-
	130996070	1	Feed Pump Gasket	-
	131426130	3	Injector Gasket	-
	145996280	1	Water Pump Case Gasket	-
	145996270	1	Set Plate Gasket	-
	198996060	3	Head Cover Gasket	-
	025100010	2	Smoke Set Gasket	-
	025100016	1	Solenoid Gasket	-
	025100006	1	Gear Case Gasket	-
	198636140	1	Front Oil Seal	-
	198636130	1	Rear Oil Seal	-
	052109076	1	O-Ring, Suction Filter Holder	-
	052100400	1	O-Ring, Oil Filter Cap	-
	052100070	1	O-Ring, Governor Arm Shaft	-
	052100050	1	O-Ring, Governor Arm Shaft	-
	052100030	1	O-Ring, Governor Arm Shaft	-
	052100150	1	O-Ring, Relief Valve	-
	052100100	2	O-Ring, Gauge Guide	-
	052300700	1	O-Ring Water Pump	-
	052300300	1	O-Ring, Temperature Sender Holder	-
	111996271	1	Rocker Cover Gasket	-
	052109061	1	Rocker Cover Gasket	-

Base Frame Assembly

Marine Applications - 308 Frame Generators

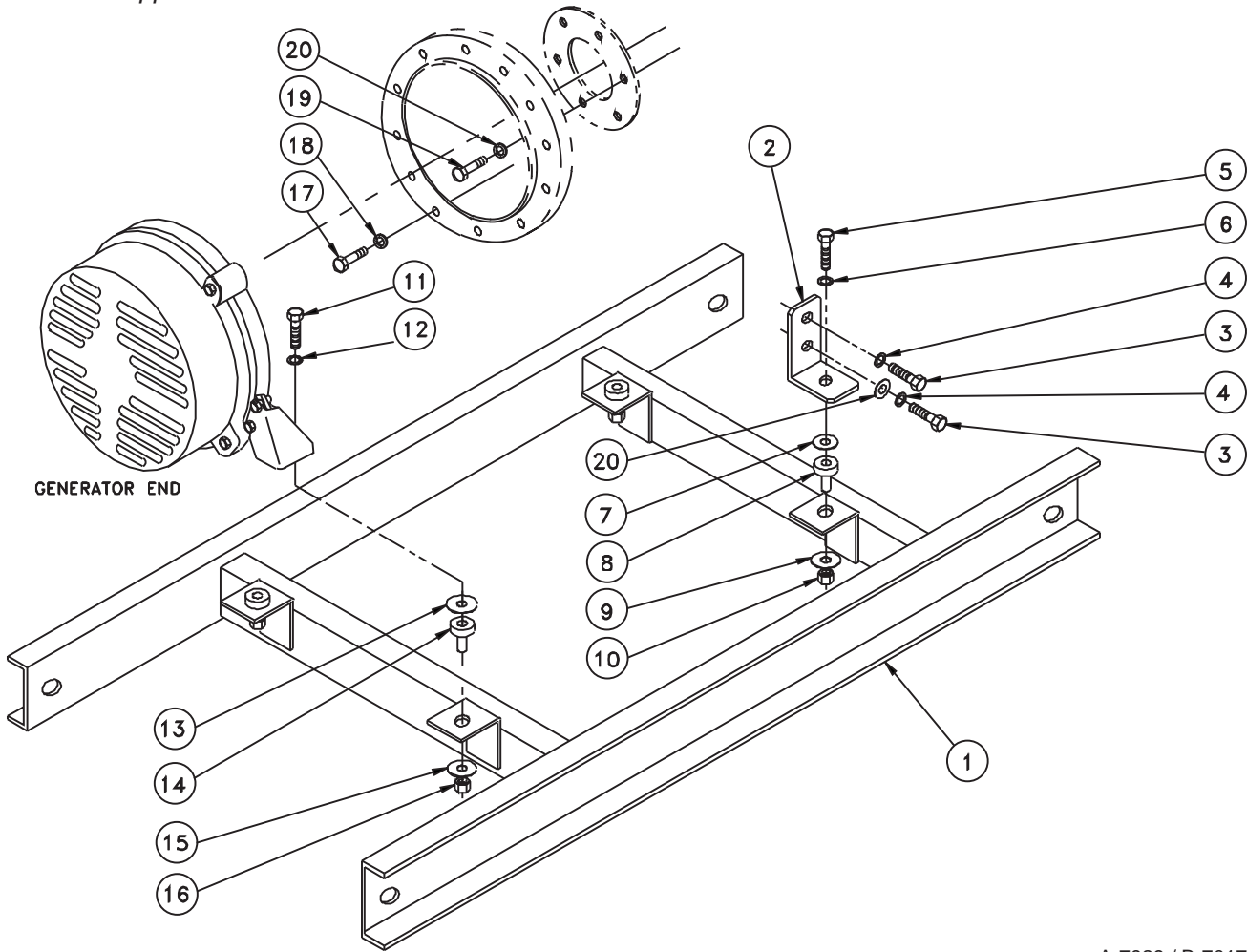


A-7844

KEY	PART NUMBER	QTY	DESCRIPTION	SERIAL NUMBER
1	39-88216	1	Base Frame, Steel	-
2	23-88211	2	Bracket	-
3	33-83104	2	Platform Mount, 185 lbs.	-
4	33-83104	2	Platform Mount, 185 lbs.	-
5	12-00943	4	Capscrew, Hex Head M12 x 1.25 x 30 mm	-
6	12-00776	16	Capscrew, Hex Head M8 x 1.25 x 20 mm, Stainless Steel	-
7	15-00705	16	Lock Washer M8, Stainless Steel	-
8	12-09519	2	Capscrew, Hex Head 1/2-13 x 2-3/4", Stainless Steel	-
9	15-00020	6	Snubbing Washer	-
10	14-00501	4	Hex Nut, Nylock 1/2-13, Stainless Steel	-
11	12-00313	8	Capscrew, Hex Head 3/8-16 x 1-1/4"	-
12	12-00212	6	Capscrew, Hex Head 5/16-18 x 1"	-
13	15-00302	8	Lock Washer 3/8	-
14	15-00202	6	Lock Washer 5/16	-
15	15-00912	4	Lock Washer M12	-
16	12-00501	2	Capscrew, Hex Head 1/2-13 x 3", Stainless Steel	-
17	15-00505	4	Flat Washer 1/2 Stainless	-

Base Frame Assembly

Industrial Applications - 308 Frame Generators

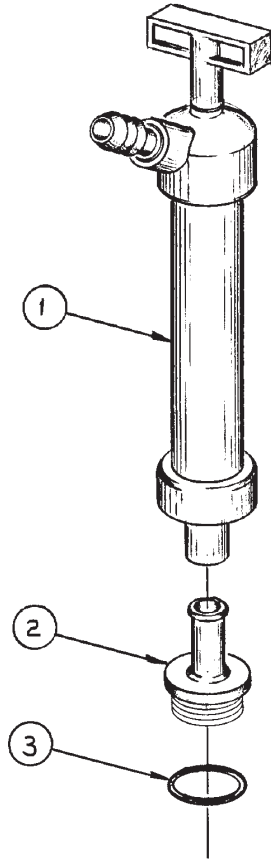


A-7929 / B-7017

KEY	PART NUMBER	QTY	DESCRIPTION	SERIAL NUMBER
1	39-88217	1	Base Frame	-
2	23-88208	2	Bracket, Front Engine Mount	-
3	12-00943	4	Capscrew, Hex Head M12 x 1.25 x 30 mm	-
4	15-00912	4	Lock Washer	-
5	12-00817	2	Capscrew, Hex Head M10 x 1.5 x 55 mm	-
6	15-00805	2	Flat Washer	-
7	15-00014	2	Head/Tail Washer	-
8	33-83100	2	Centerbonded Mount, 100 lb.	-
9	15-00014	2	Head/Tail Washer	-
10	14-00812	2	Hex Nut, Nylock	-
11	12-00048	2	Capscrew, Hex Head M10 x 1.5 x 60 mm	-
12	15-00805	2	Flat Washer	-
13	15-00014	2	Head/Tail Washer	-
14	33-83100	2	Centerbonded Mount, 100 lb.	-
15	15-00014	2	Head/Tail Washer	-
16	14-00812	2	Hex Nut, Nylock	-
17	12-00312	8	Capscrew, Hex Head 3/8-16 x 1"	-
18	15-00302	8	Lock Washer	-
19	12-00214	6	Capscrew, Hex Head 5/16-18 x 1-1/2"	-
20	15-00202	6	Lock Washer	-

Oil Drain Kit

Marine Application

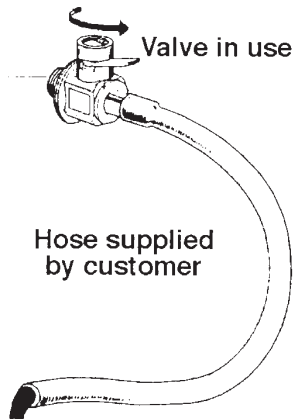


A-5024/ B-3990

KEY	PART NUMBER	QTY	DESCRIPTION	SERIAL NUMBER
••	34-70010		Oil Drain Kit Complete (includes all keys)	-
1	36-72002	1	Hand Pump	-
2	31-70001	1	Adapter, Oil Drain	-
3	16-70001	1	O-ring	-

Oil Drain Kit

Industrial Application

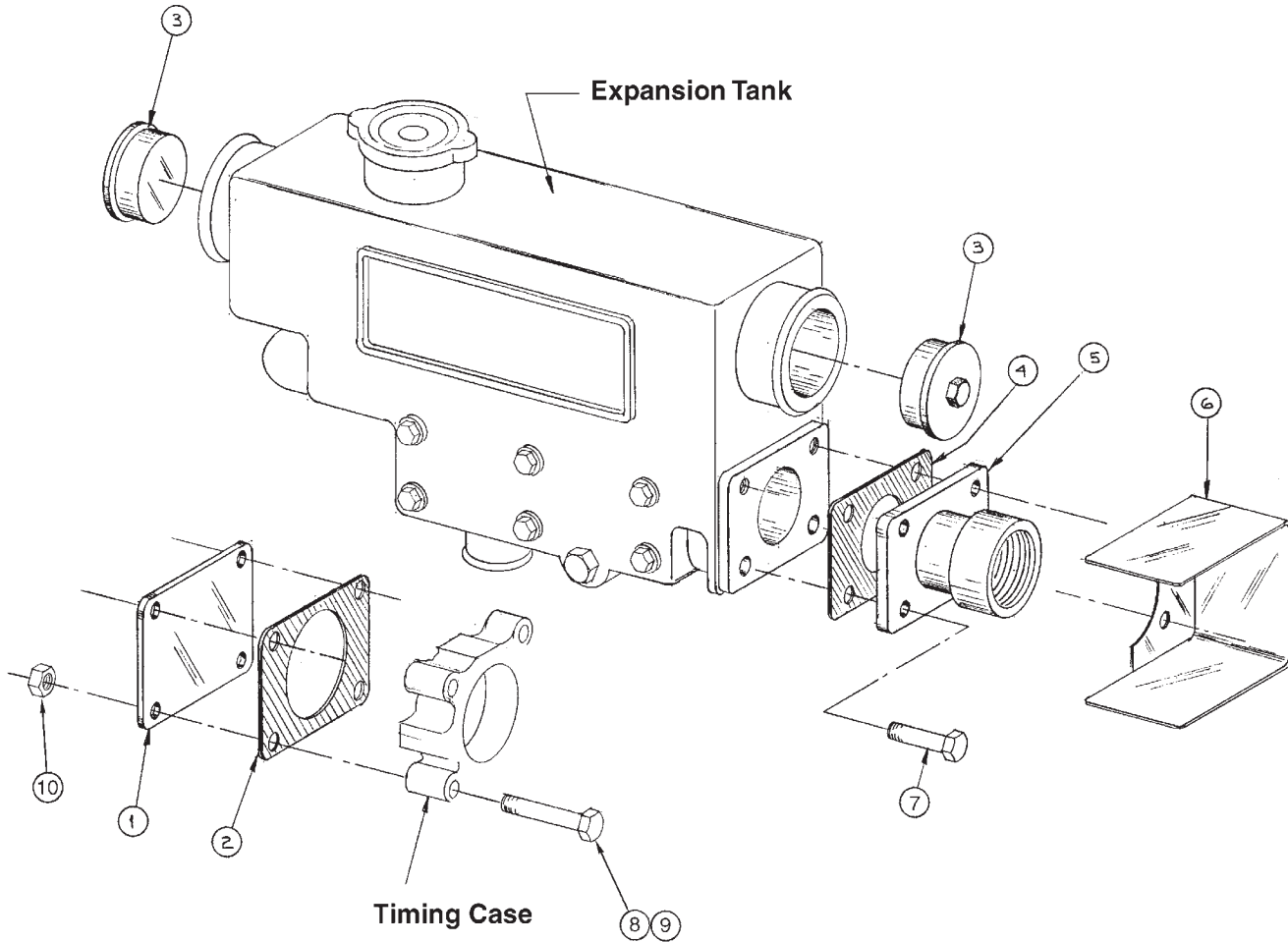


A-6480

KEY	PART NUMBER	QTY	DESCRIPTION	SERIAL NUMBER
1	36-72003	1	Drain Valve	-

Dry Exhaust Adapter - Keel Cooled

Marine Application

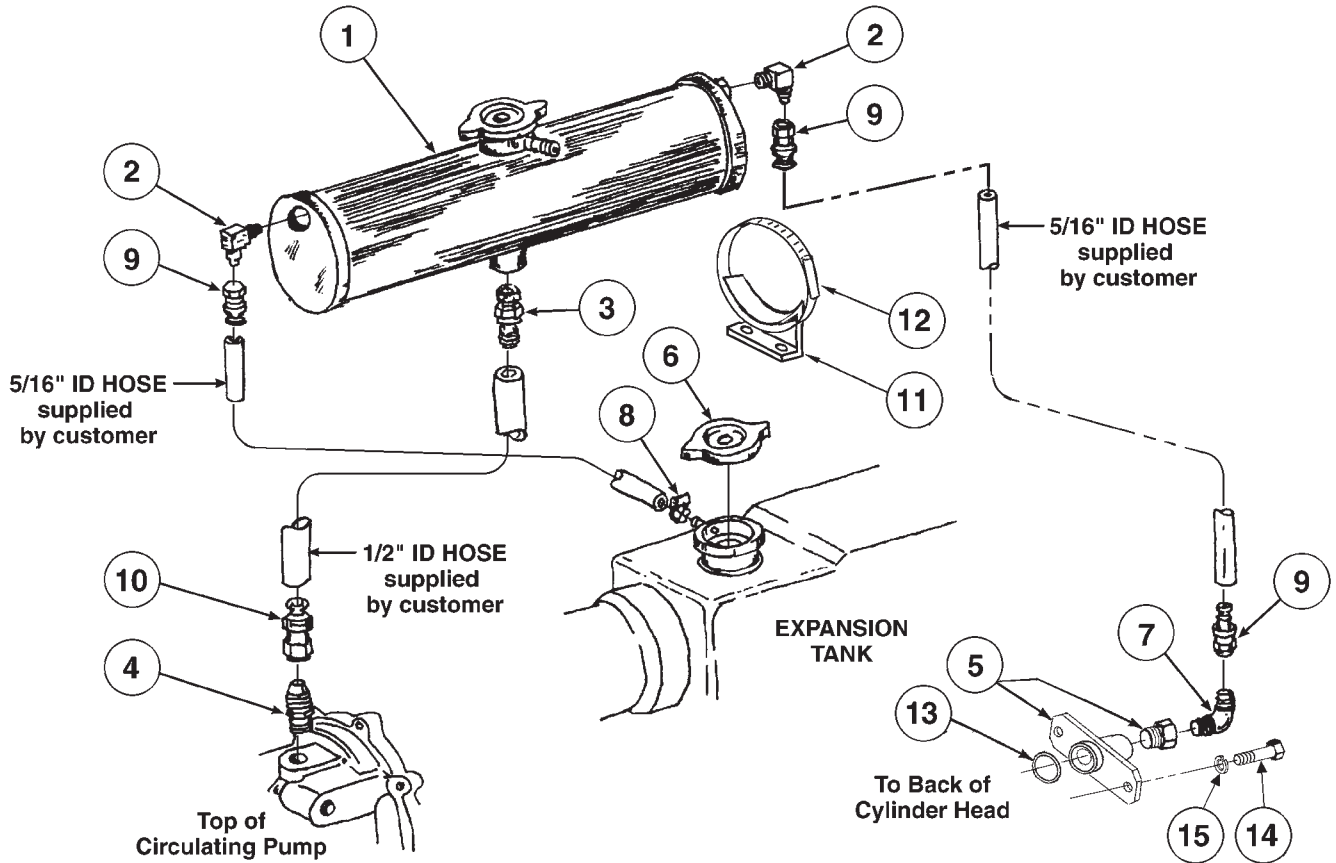


A-2169 / C-2276

KEY	PART NUMBER	QTY	DESCRIPTION	SERIAL NUMBER
1	165206320	1	Cover Plate	-
2	11-12005	1	Gasket, Cover Plate	-
3	20-11904	2	End Cap (requires key #11)	-
4	314990030	1	Gasket, Exhaust Adapter	-
5	27-31921	1	Dry Exhaust Adapter	-
6	00-12000	1	Heat Shield	-
7	12-00712	4	Capscrew, Hex Head M8 x 1.25 x 25 mm	-
8	12-00071	3	Capscrew, Hex Head M8 x 1.25 x 70 mm	-
9	12-00718	1	Capscrew, Hex Head M8 x 1.25 x 65 mm	-
10	14-00711	3	Hex Nut M8 x 1.25	-
11	19-00058	2	Hose Clamp #48 (used with #20-11904 - not shown)	-

Remote Expansion Tank

Marine Application, Early Production

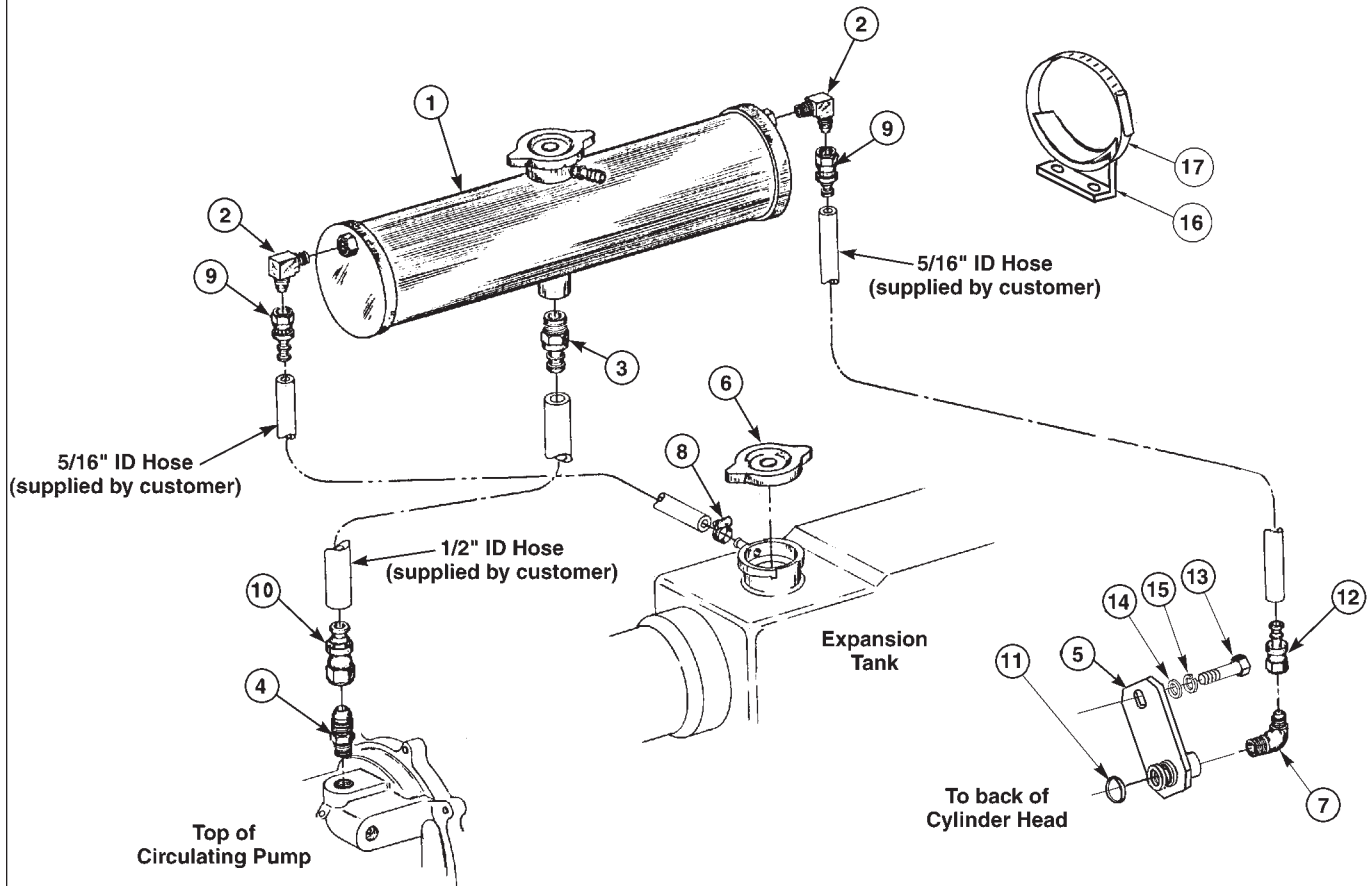


A-7463

KEY	PART NUMBER	QTY	DESCRIPTION	SERIAL NUMBER
1	10-12002	1	Tank Assembly (includes keys 11-12)	-
2	21-52245	2	Male Elbow, Brass 1/4 NPT x 5/16-45T	-
3	21-51093	1	Male Connector, Brass 1/2 NPT x 1/2 HB	-
4	21-71093	1	Male Connector, Brass 3/8 NPT x 1/2 HB	-
5	185706320	1	Port Adapter (requires #13)	-
	21-60010	1	Female Adapter, Steel 3/8 NPT x M16 x 1.5 (used with Port Adapter)	-
6	21-12008	1	Filler Cap	-
7	21-01013	1	Male Elbow, 90° Brass 3/8 NPT x 5/16-45T	-
8	19-00004	1	Hose Clamp #4	-
9	21-71056	3	Female Swivel, Brass 5/16 HB x 5/16-45T	-
10	21-71042	1	Female Swivel, Brass 1/2 HB x 1/2-45T	-
11	23-75404	2	Bracket, Tank Mtg.	-
12	19-00064	2	Hose Clamp #64	-
13	052300300	1	O-ring	-
14	12-00707	2	Capscrew, Hex Head M8 x 1.25 x 14mm	-
15	15-00702	2	Lock Washer M8	-

Remote Expansion Tank

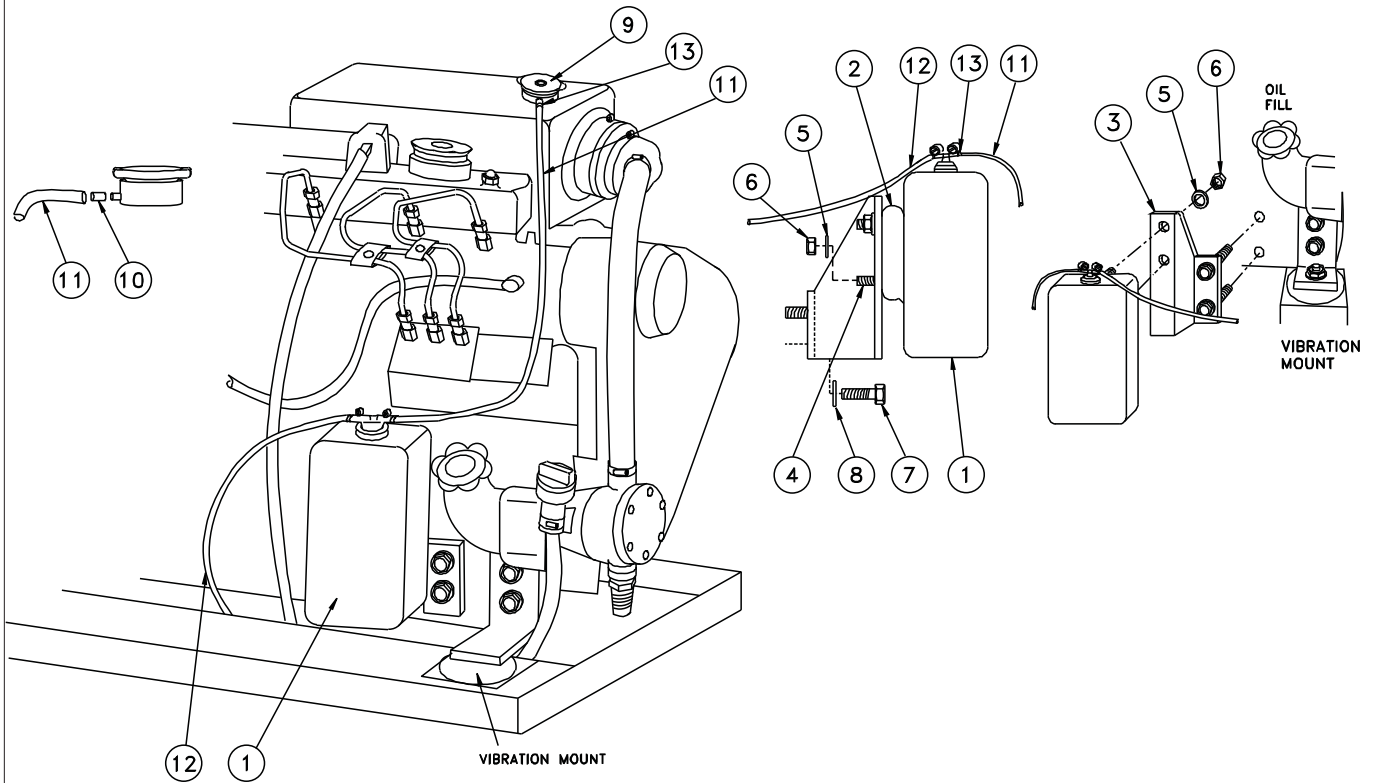
Marine Application, Late Production



A-5931A/ D-2345

KEY	PART NUMBER	QTY	DESCRIPTION	SERIAL NUMBER
1	10-12002	1	Tank Assembly (includes keys #2 & #16 - #17)	-
2	21-52245	2	Male Elbow, Brass 1/4 NPT x 5/16-45T	-
3	21-51093	1	Male Connector, Brass 1/2 NPT x 1/2 HB	-
4	21-71093	1	Male Connector, Brass 3/8 NPT x 1/2 HB	-
5	31-12001	1	Port Adapter (requires key #11)	-
6	21-12008	1	Filler Cap	-
7	21-10030	1	Male Elbow, Steel 3/8 Port x 5/16-37T	-
8	19-00004	1	Hose Clamp	-
9	21-71056	2	Female Swivel, Brass 5/16 HB x 5/16-45T	-
10	21-71042	1	Female Swivel, Brass 1/2 HB x 1/2-45T	-
11	16-90001	1	O-ring (for Port Adapter)	-
12	21-70007	1	Female Swivel, Brass 5/16 HB x 5/16-37T	-
13	12-00751	1	Capscrew, Hex Head M8 x 1.25 x 16 mm	-
14	15-00701	1	Flat Washer M8	-
15	15-00702	1	Lock Washer M8	-
16	23-75404	2	Mounting Foot	-
17	19-00064	2	Hose Clamp #64 (for tank mounting)	-

Coolant Recovery Tank



A-9147/ B-6397

KEY	PART NUMBER	QTY	DESCRIPTION	SERIAL NUMBER
1	310550130	1	Coolant Recovery Tank	-
2	222300090	1	Bracket, Coolant Recovery Tank Mtg.	-
3	23-18202	1	Bracket, Coolant Recovery Tank Mtg.	-
4	12-00097	2	Capscrew, Hex Head M6 x 1.0 x 12 mm	-
5	15-00008	2	Flat Washer M6	-
6	14-04803	2	Hex Nut, Nylock M6 x 1.0	-
7	12-00911	2	Capscrew, Hex Head M12 x 1.75 x 20 mm	-
8	15-00912	2	Lock Washer	-
9	310110040	1	Filler Cap	-
10	41-01010	.5	Hose, Polyvinyl 1/4" ID x 3/8" OD	-
11	41-01013	18	Hose, Polyvinyl 5/16" ID x 7/16" OD	-
12	41-01013	10	Hose, Polyvinyl 5/16" ID x 7/16" OD	-
13	19-00002	3	Hose Clamp #2	-



4420 14th Ave. NW., Seattle WA 98107

Tel: (206) 789-3880 • 1-800-762-0165 • Fax: (206) 782-5455

Northern Lights and Lugger are registered trademarks of Northern Lights, Inc.

© 2011 All rights reserved. Litho USA.