

0M944W

For Models: M944W and M30CW

OPERATOR'S MANUAL

Marine Generators | Marine Diesel Engines | Land-Based Generators



LUGGER





— CALIFORNIA —
Proposition 65 Warning:

Diesel engine exhaust and some of its constituents are known to the State of California to cause cancer, birth defects, and other reproductive harm.



www.northern-lights.com

4420 14th Ave. NW., Seattle WA 98107

Tel: (206) 789-3880 • 1-800-762-0165

• Fax: (206) 782-5455

Northern Lights and Lugger are registered trademarks of Northern Lights, Inc.

© 2006 All rights reserved. Litho USA.

OPERATOR'S MANUAL

for Northern Lights® M944W and M30CW Diesel Generator Sets

**Read this operator's manual thoroughly before starting to operate your equipment.
This manual contains information you will need to run and service your new unit.**

Table of Contents

| | | | |
|---------------------------------------|---------|------------------------------------|---------|
| INTRODUCTION | 2 | SERVICING (Continued) | |
| Model Numbers | 2 | V-Belts | 13 |
| Serial Numbers | 2 | Valve Clearances..... | 14 |
| WARRANTY | 3 | Fuels - General..... | 15 |
| SAFETY RULES | 3 | Fuel Filters | 15 |
| COMPONENT LOCATIONS | | Bleeding the Fuel System..... | 16 |
| M944W Generator Set | 4 - 5 | Injector Service..... | 17 |
| CONTROL PANELS | | Injection Pump..... | 18 |
| Northern Lights Generator Sets | 6 | Cooling System | 19 |
| OPERATING PROCEDURES | | Heat Exchanger..... | 20 |
| Break-in Period..... | 7 | Raw Water Pump | 20 |
| Before Starting..... | 7 | Zinc Electrodes | 20 |
| Starting..... | 8 | Electrical System - General | 21 |
| Operating | 8 | Booster Batteries..... | 21 |
| Stopping..... | 8 | Battery Care..... | 22 |
| Shutdowns and Alarms | 9 | Winterizing / Out-of-Service | 22 |
| Spare Parts | 9 | TROUBLESHOOTING | |
| SERVICING SCHEDULE CHART | 10 - 11 | Electrical | 23 |
| SERVICING | | Engine | 24 - 26 |
| Lubrication - General..... | 12 | WIRING DIAGRAMS | |
| Checking Oil..... | 12 | AC Electrical | 27 |
| Oil Changes | 12 | DC Electrical | 28 - 31 |
| Changing Oil Filter..... | 13 | | |
| Air Filter | 13 | | |

Proprietary Information

This publication is the property of Northern Lights, Inc.
It may not be reproduced in whole or in part without the written permission of Northern Lights, Inc.
© Northern Lights, Inc. All rights reserved. Litho U.S.A. Publication number OM944W 06/06

Introduction

The servicing of marine engines and generator sets presents unique problems. In many cases, boats cannot be moved to a repair facility. Marine engines cannot be compared to the servicing of automobiles, trucks, or even farm equipment. Failures often occur in remote areas far from competent assistance. Marine engines are taxed far more severely than auto or truck engines; therefore, maintenance schedules must be adhered to

more strictly. Failures begin with minor problems that are overlooked and become amplified when not corrected during routine maintenance.

As operator, it is your obligation to learn about your equipment and its proper maintenance. This is not a comprehensive technical service manual. Nor will it make the reader into an expert mechanic. Its aim is to aid you in maintaining your unit properly.

Unit Identification

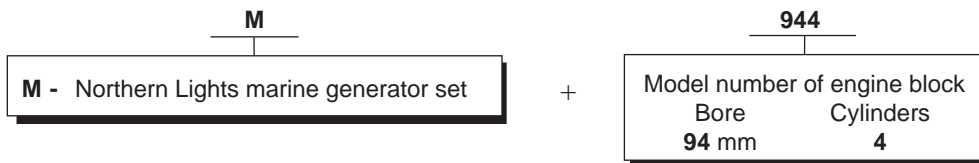
MODELS INCLUDED

This manual covers the operating instructions for:

M944W marine generator sets, which use the 944 engine block.

Model Numbers

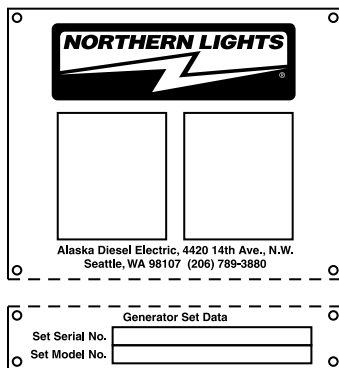
Model numbers give the unit's application, block model, aspiration, and RPM:



M944W = Northern Lights marine diesel generator set with a 944 engine and a PX-332K2 series generator end.

M30CW = Northern Lights marine diesel generator set with a 944 engine and a PX-332K2 series generator end; commercial unit, 30 kW.

Serial Numbers



Your set has three serial numbers: ① an engine number stamped on a plate attached to the valve cover, ② a generator end serial number, and ③ a generator set serial number.

NOTE: Always use the generator set serial number when ordering parts or in correspondence. The generator set serial number plate is found on the service side of the generator and resembles the drawing in Figure 1.

Figure 1: Generator set serial number plate.

Warranty

A warranty registration certificate is supplied with your set. It entitles the original purchaser of our equipment to a warranty covering material or assembly faults. The extent of coverage is described in the Limited Warranty Statement. We recommend that you study the statement carefully.

NOTE: If the warranty is to apply, the servicing instructions outlined in this manual must be followed. If further information is needed, please contact an authorized dealer or the factory.

Safety Rules



CAUTION: *Accident reports show that careless use of engines causes a high percentage of accidents. You can avoid accidents by observing these safety rules. Study these rules carefully and enforce them on the job.*

- Never leave engine without proper security.
- Turn the coolant tank cap slowly to relieve pressure before removing. Add coolant only when the engine is stopped and cool.
- Mount a fire extinguisher near engine.
- Always disconnect the battery ground strap before making adjustments.
- Operate engines in properly ventilated areas.
- Keep trash and other objects away from engine.
- Escaping fluids under pressure can penetrate your skin. Use a piece of cardboard or wood, not your hands, to search for leaks.
- Avoid wearing loose clothing without a belt when working around engines.
- Do not oil or grease engine while it is running.
- Remove the negative (-) battery terminal cable before servicing electrical components or welding.
- Use caution in handling fuel. Never refuel a hot or running engine. Do not smoke while filling fuel tank or servicing fuel system.
- Keep your hands, feet, hair and clothing away from power-driven parts.
- Check for any loose electrical connections or faulty wiring.
- Engines should be operated only by knowledgeable, qualified personnel.
- Look completely around engine to make sure that everything is clear before starting.
- Do not operate an engine that isn't in proper working order. If an unsafe operating condition is noted, tag the set and control panel so others will also know about the problem.
- Provide first aid kits.



CAUTION: *This symbol is used throughout this book to alert you to possible danger areas. Please take special notice of these sections.*

M944W Generator Set Component Locations

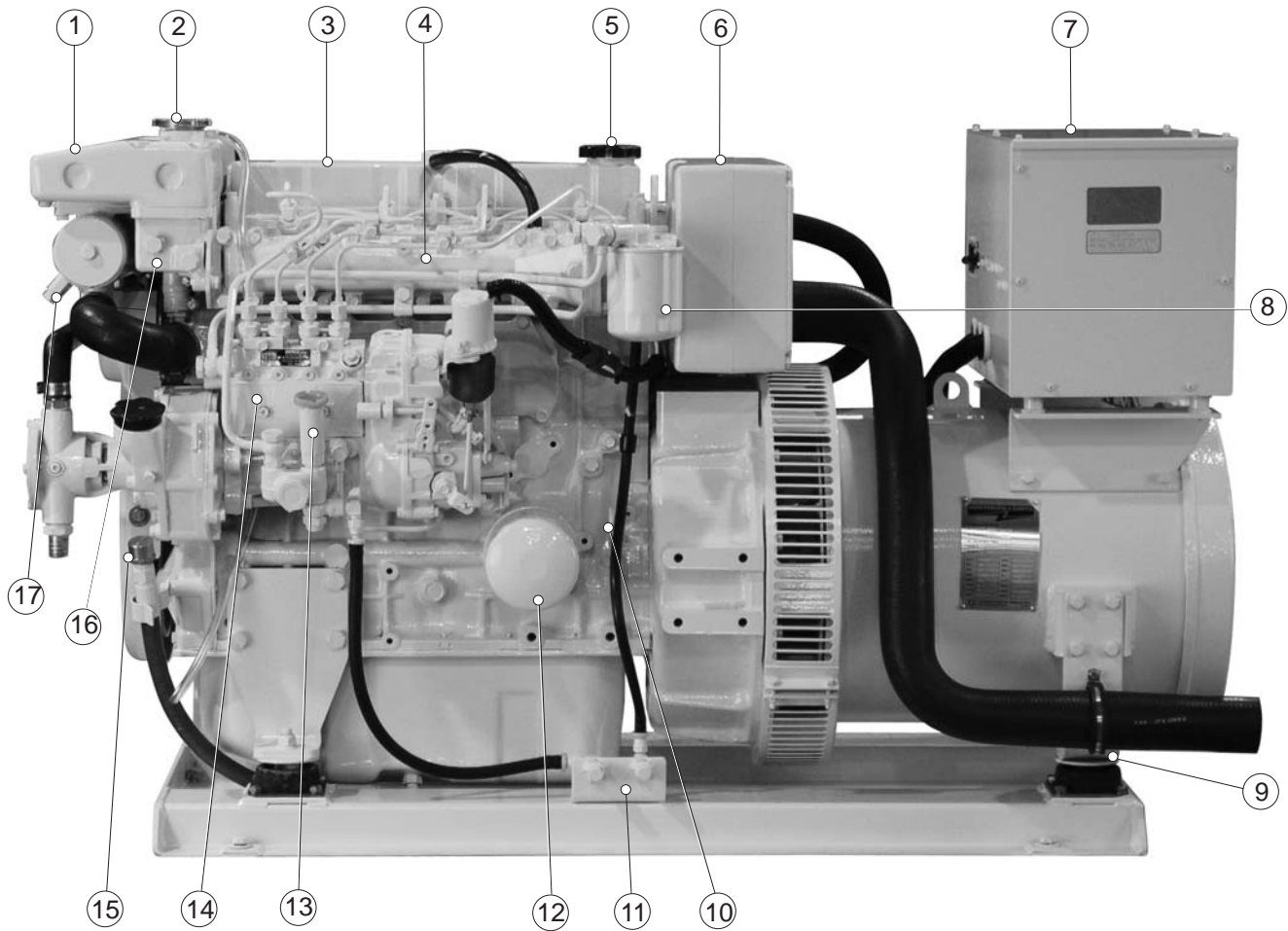


Figure 2: M944W Service Side with PX-300K2 series generator end.

- | | | |
|---------------------|-----------------------|--|
| 1. Expansion Tank | 8. Fuel Filter | 15. Lube Oil Drain |
| 2. Coolant Fill | 9. Vibration Mounts | 16. Thermostat Housing |
| 3. Rocker Arm Cover | 10. Lube Oil Dipstick | 17. Heat Exchanger Raw Water Drain and Zinc |
| 4. Intake Manifold | 11. Fuel Manifold | |
| 5. Lube Oil Fill | 12. Oil Filter | |
| 6. Air Filter | 13. Fuel Primer Pump | |
| 7. Junction Box | 14. Injection Pump | |

M944W Generator Set Component Locations

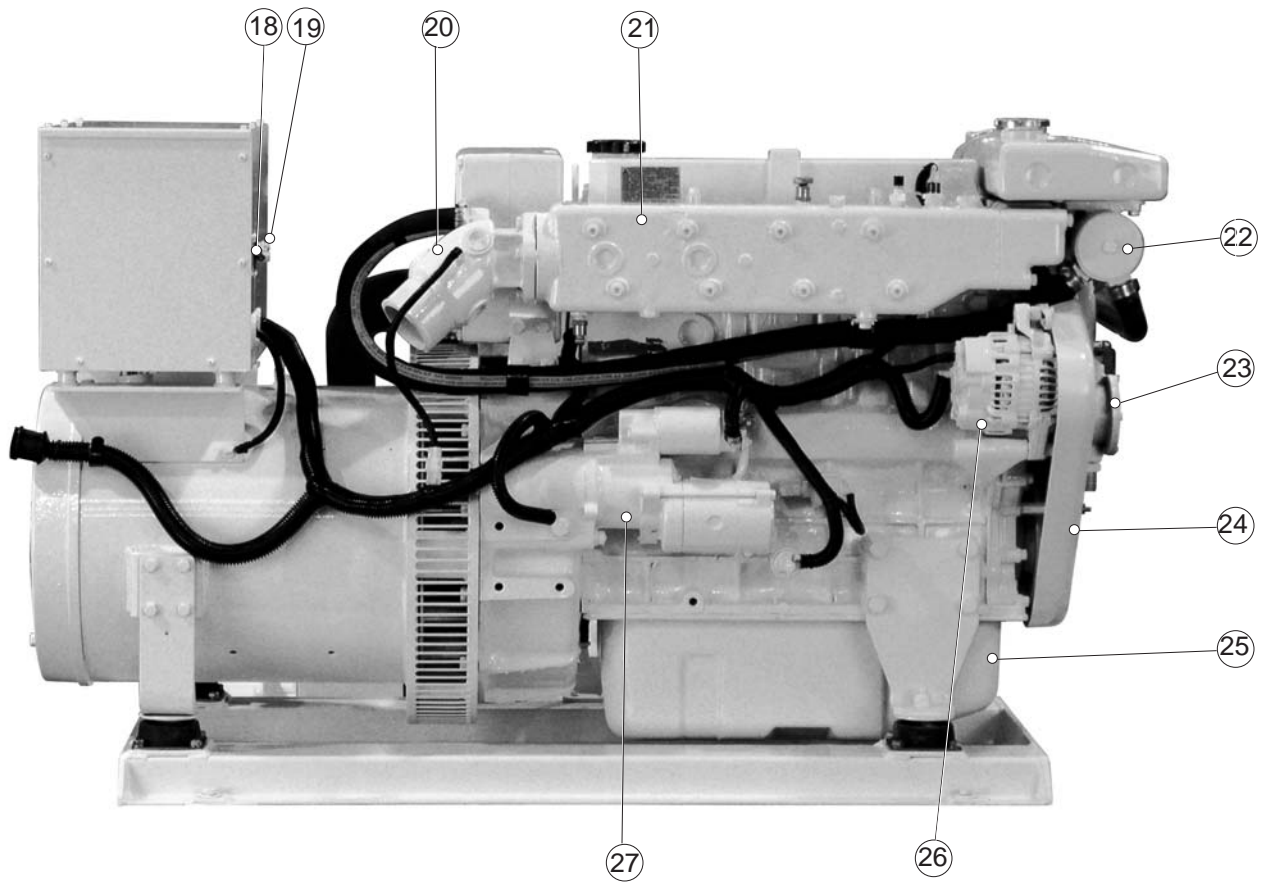


Figure 3: M944W Non-Service Side with PX-300K2 series generator end.

- | | |
|-------------------------------|-----------------------|
| 18. AC Circuit Breaker | 24. Belt Guard |
| 19. DC Circuit Breaker | 25. Oil Pan |
| 20. Wet Exhaust Elbow | 26. Alternator |
| 21. Exhaust Manifold | 27. Starter |
| 22. Heat Exchanger | |
| 23. Raw Water Pump | |

Control Panels

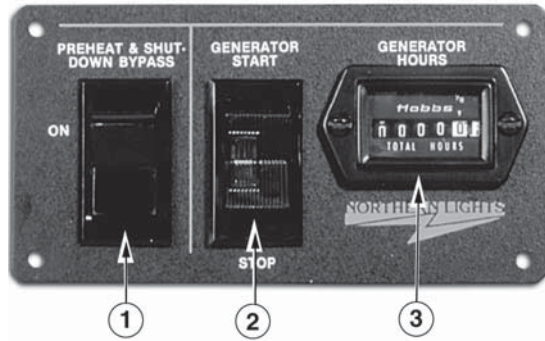


Figure 4-A: Series 1-B Generator Control Panel

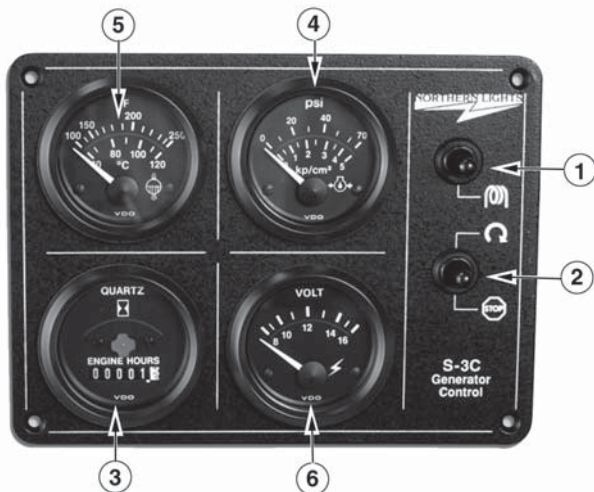


Figure 4-B: Series 3 Generator Control Panel

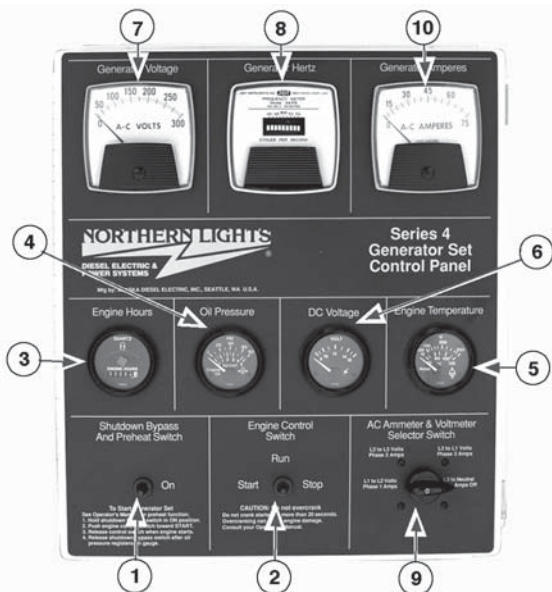


Figure 4-C: Series 4 Generator Control Panel

1. PREHEAT/ SHUTDOWN BYPASS

This switch serves two functions:

1. Preheats air before beginning the starting process. Press switch for 10-20 seconds before attempting startup.
2. Bypasses the safety shutdown feature during the starting process. Keep switch engaged while starting engine, and for 2 to 3 seconds afterwards, allowing oil pressure to build beyond shutdown setpoint.

2. ENGINE CONTROL SWITCH

To start the engine, hold this switch in the START position until the engine is running. After the engine starts, release the switch and it will return to RUN position. To stop the engine, hold the switch in the STOP position.

NOTE: The rocker switch is used on Series 1 panels only, and has a light that glows when the set is running.

3. HOUR METER

Keeps track of engine running time.

4. OIL PRESSURE GAUGE

Shows the oil pressure in the engine lubricating system.

5. WATER TEMPERATURE GAUGE

Registers the temperature of the cooling water.

6. D.C. VOLTMETER

When the engine is stopped, the voltmeter indicates the condition of the battery. When the engine is running, the voltmeter indicates the voltage output of the alternator.

For Series 4 Control Panels only:

7. A.C. VOLTMETER

Shows the generator output voltage.

8. FREQUENCY METER (Hertz)

The frequency meter indicates alternating current frequency: 60 Hz (1800 rpm) or 50 Hz (1500 rpm).

9. AMMETER/VOLTMETER SELECTOR

Used to check the voltage and current of each phase. Return to "Amps Off" position when not monitoring.

10. A.C. AMMETER

Shows the generator load on each phase. The phase is selected with the Ammeter Selector switch (#9).

Operating Procedures

BREAK-IN PERIOD

1. The first 100 hours on a new or reconditioned engine are critical to its life and performance.
2. Constantly check the engine temperature and oil pressure gauges.
3. Oil consumption is greater during break-in as piston rings take time to seat.
4. Break-In Oil Changes: Change engine oil and filter at 50 hours. Change oil and filter again at 100 hours (consult Lubricants section for oil recommendation).

Operating Instructions:

Maintain at least a 75% load on your generator set for the first 100 hours. If this is not possible, maintain no less than a 50% load to ensure proper seating of the piston rings. Vary the load to help seat the rings.

BEFORE STARTING

1. Check the water level by removing the pressure cap from the expansion tank. In order to give the cooling water an opportunity to expand, the level should be about 1 in. (2.5 cm) below the filler cap sealing surface when the engine is cold.



CAUTION: *Use protective clothing and open the filler cap carefully when the engine is warm to prevent burns.*

2. Check the oil level in the crankcase with the dipstick. The oil level must be between high and low marks on the stick. Never allow the level to go below this area. Always add the same viscosity of oil as is already in the crankcase.
3. Check the fuel tank level and open any fuel valves on the tank and at the secondary fuel filter.
4. Close the sea-cock, check and clean the sea strainer, and reopen the sea-cock.
5. Place the battery switch in the ON position.

NOTE: The battery switch must always be kept ON while the engine is running. If the switch is turned OFF while the engine is running, the battery charging alternator could be damaged.

Operating Procedures

STARTING

1. Hold the Shutdown Bypass switch in the ON position.
2. While holding the Shutdown Bypass switch in the ON position, push the Engine Control switch to the START position.
3. As soon as the engine starts, release both switches. Do not crank the starter for more than 20 seconds consecutively. If the engine fails to start with the first attempt, be sure that it has stopped completely before re-engaging the starter.

NOTE: Excessive cranking of the starter on marine sets equipped with a water lift muffler can cause engine damage. If the engine does not start after 3 consecutive 20-second cranks, remove the impeller from the seawater pump. This will prevent the muffler from filling with water and backfilling the exhaust line and engine. Once the engine starts, shut it off immediately and reinstall the impeller. Restart and check the exhaust overboard outlet for gushes of water.

OPERATING

1. Units with Series 3 and Series 4 Control Panels: check gauges often. Oil pressure must be above 15 PSI. The D.C. voltmeter should read between 11 and 15 volts at 80° F (25° C) ambient temperature. The water temperature gauge must be below 200° F (94° C). Check the A.C. voltage and frequency meters (Series 4 panel). If the gauges deviate from normal levels, shut down the generator set and investigate.
2. Let the unit run unloaded for a three to five minute warm-up period.
3. Add electrical load.

STOPPING

1. Remove electrical load from the generator set.
2. Run the engine for a three to five minute cool-down period.
3. Move the Engine Control switch to the STOP position until the engine stops completely.
4. Shut off seacock, fuel valve, and battery switch.

Operating Procedures

SHUTDOWNS AND ALARMS

1. Your unit is fitted with a system to protect it from high water temperature or low oil pressure.
 - a. Generator sets have shutdown systems to stop the engine. They have no warning horns.
 - b. Other alarms and shutdowns are available as optional equipment.

NOTE: If your unit is equipped with optional shutdowns and alarms, do not rely on your warning or shutdown system to the exclusion of careful gauge monitoring. Watching your gauges can prevent damage to the unit and dangerous power losses.

2. Do the following when your warning or shutdown system is activated:
 - a. Check the temperature gauge. If above 205° F (96° C), shut off the engine immediately.
 - b. Use the Trouble Shooting Guide on page 25 to isolate the cause of the overheat.



CAUTION: Do not remove the water fill cap of an overheated engine. Escaping high temperature steam can cause severe burns. Allow the engine to cool and then remove the cap slowly using protective clothing.

- c. Make repairs and restart after the temperature gauge registers below 200° F (94° C).
 - d. Watch the temperature gauge regularly and turn off the unit if the temperature rises above 205° F (96° C). Repeat troubleshooting.
3. If shutdown is activated and the temperature gauge shows temperature within normal temperature range:
 - a. Check the engine crankcase oil level.
 - b. If the oil level is low, fill with recommended lubricating oil and restart. Watch the oil pressure gauge carefully and shut off the engine if it does not show a normal reading (20-60 PSI) after a few seconds of operation.
 - c. If the oil level is normal, DO NOT restart the engine. Call your dealer for assistance.

SPARE PARTS

1. ADE recommends that you keep the following spare parts on hand for field service. The parts are available from your local Northern Lights dealer. Some marine models may already have "On-Board Kits," a handy box that contains the most common parts you will need.
 - a. Primary and secondary fuel filter elements
 - b. Oil filters
 - c. Air filter elements
 - d. Alternator belt
 - e. Thermostat and gaskets
 - f. Seawater pump impeller and gaskets
 - g. Glow plugs
 - h. Injector and washer
2. If your set is operating a long distance from a servicing dealer, add the following:
 - a. Complete set of injectors
 - b. Copper washers for injector change
 - c. Complete set of glow plugs
 - d. Fuel lift pump

Servicing Schedule Chart

The Servicing Schedule Chart below shows the service schedule required for proper maintenance of your generator set. More detailed coverage of each Service Point (SP) is listed on the page noted in the 'page' column.

DAILY:

- SP1 Check oil level in engine
- SP8 Check primary fuel filter
- SP14 Check cooling water level
Check sea strainer

AFTER FIRST 50 HOURS:

- SP2/3 Change engine oil and filter
- SP5 Check V-belt tension
- SP7 Adjust valves
- SP19 Check electrolyte level in batteries

EVERY 50 HOURS:

- SP5 Check V-belt tension
- SP19 Check electrolyte level in batteries

AFTER FIRST 100 HOURS:

- SP2/3 Change engine oil and filter

EVERY 250 HOURS:

- SP2/3 Change engine oil and filter
- SP4 Check air cleaner
- SP18 Check zinc electrodes

EVERY 500 HOURS:

- SP6 Check valve clearances
- SP9 Change primary fuel filter element
- SP10 Change secondary fuel filter
- SP12 Check injectors
- SP15 Check cooling system
- SP17 Change impeller
- SP20 Check state of charge of batteries

EVERY 2000 HOURS or as needed:

- SP13 Check fuel injection pump
- SP16 Check and clean heat exchanger
- SP24 Inspect starter and alternator

| SERVICE POINT | PAGE | OPERATION | DAILY | 50 Hours | 100 Hours | 250 Hours | 500 Hours | 2000 Hours |
|---------------------------|------|---|-------|----------|-----------|-----------|-----------|------------|
| ENGINE: | | | | | | | | |
| SP1 | 12 | Check oil level | ● | | | | | |
| SP2 | 12 | Change engine oil ^{1,5} | | ● | | ● | | |
| SP3 | 13 | Change lube oil filters ^{1,5} | | ● | | ● | | |
| SP4 | 13 | Check air cleaner ^{1,4} | | | | ● | | |
| SP5 | 13 | Check V-belt tension ¹ | | | | | ● | |
| SP7 | 14 | Check valve clearances ⁵ | | | | | ● | |
| FUEL SYSTEM: | | | | | | | | |
| SP8 | 15 | Check primary filter ² | ● | | | | | |
| SP9 | 15 | Change primary filter element ^{2,3} | | | | | ● | |
| SP10 | 15 | Change secondary fuel filter ^{1,3} | | | | | ● | |
| SP11 | 16 | Bleed the fuel system ³ | | | | | | |
| SP12 | 17 | Check injectors ^{1,7} | | | | | ● | |
| SP13 | 18 | Check fuel injection pump | | | | | | ● |
| COOLING SYSTEM: | | | | | | | | |
| SP14 | 20 | Check cooling water level | ● | | | | | |
| SP15 | 20 | Check and flush cooling system ⁸ | | | | | ● | ● |
| SP16 | 21 | Check and clean heat exchanger | | | | | | ● |
| SP17 | 21 | Change impeller in raw water pump ^{1,3} | | | | | ● | |
| SP18 | 21 | Check zinc electrodes ⁴ | | | | ● | | |
| ELECTRICAL SYSTEM: | | | | | | | | |
| SP19 | 23 | Check electrolyte level in batteries ^{1,4} | | ● | | | | |
| SP20 | 23 | Check condition of batteries with hydrometer ¹ | | | | | ● | |
| SP24 | 24 | Inspect alternator and starter | | | | | | |
| OUT OF SERVICE: | | | | | | | | |
| SP23 | 23 | Winterizing or out-of-service ³ | | | | | | |

- 1) Perform all maintenance once a year even if hour level has not been reached.
- 2) Consult manufacturer's maintenance schedule, note on chart.
- 3) Whenever necessary.
- 4) More often if necessary.

- 5) After first 50 hours.
- 6) Adjust at first 100 hours.
- 7) Fuel inj. valve opening pressure: 11.77 MPa (120 kgf/cm²) 1710 PSI
- 8) Or every 1 year

Service Record

| Service Point | OPERATION | HOURS/ DATE | | | | | | | | | |
|----------------------------------|--|-------------|--|--|--|--|--|--|--|--|--|
| 50 HOURS | | | | | | | | | | | |
| SP5 | Check V-belt tension | | | | | | | | | | |
| | | | | | | | | | | | |
| SP19 | Check electrolyte in batteries | | | | | | | | | | |
| | | | | | | | | | | | |
| 250 HOURS | | | | | | | | | | | |
| SP2 | Change engine oil | | | | | | | | | | |
| SP3 | Change lubricating oil filters | | | | | | | | | | |
| SP4 | Check air cleaner | | | | | | | | | | |
| SP18 | Check zinc electrodes | | | | | | | | | | |
| | | | | | | | | | | | |
| EVERY 500 HOURS | | | | | | | | | | | |
| SP7 | Check valve clearances | | | | | | | | | | |
| SP8 | Change primary filter element | | | | | | | | | | |
| SP10 | Change secondary fuel filter | | | | | | | | | | |
| SP12 | Check injectors | | | | | | | | | | |
| SP15 | Check cooling system | | | | | | | | | | |
| SP17 | Change impeller in seawater pump | | | | | | | | | | |
| SP20 | Check condition of batteries with hydrometer | | | | | | | | | | |
| 2000 HOURS or as required | | | | | | | | | | | |
| SP13 | Check fuel injection pump | | | | | | | | | | |
| SP15 | Flush cooling system | | | | | | | | | | |
| SP16 | Check and clean heat exchanger | | | | | | | | | | |

Service Notes:

Servicing

LUBRICATION - GENERAL

1. Use only clean, high quality lubricants stored in clean containers in a protected area.
2. These lubricants are acceptable:
 - a. API Service CD, CE, and CF-4 single viscosity oils.
 - b. API Service CD, CE, and CF-4 multi-viscosity oils.
3. Use the proper weight oil for your average operation temperature.

| Air Temperature | Single Viscosity | Multi-Viscosity |
|------------------------------|------------------|-----------------|
| Above 32° F (0° C) | SAE 30W | SAE 15-40W |
| -10° to 32° F (-23° to 0° C) | SAE 10W | SAE 10-30W |

Figure 5: Lube Oils

4. Never put additives or flushing oil in crankcase.

SP1. CHECKING OIL LEVEL

1. While the engine is stopped, check the oil level in the crankcase with the dipstick daily. The oil level must be between the high and low marks on the stick. Fill with the recommended oil, and fill only to the high mark on the dipstick. Follow the lubrication recommendations in Figure 5.

SP2. OIL CHANGES

1. The set is delivered with special break-in oil. Change the engine oil and oil filter after 50 hours of operation. Use Service CC30 weight oil during the first 100 hours.
2. Change the oil and filter again at 100 hours using the oil recommended in the above diagram. After this, change oil and filter every 250 hours.
3. During intermittent cold weather operation, change oil every 100 hours or six weeks, whichever comes first.
4. Change oil at any seasonal change in temperature when a new viscosity of oil is required.
5. Change oil when engine is warm but not hot.
6. Dispose of waste oil in an approved manner.
7. Never use a flushing oil.
8. Loosen clamp on oil change tube. Remove cap. Drain oil. Replace cap and tube.
9. Refill engine with recommended oil.
10. Engine capacity with new oil filter is:
Model 944W.....2.64 gallons (10 liters)

SP3. CHANGING LUBE OIL FILTER

1. Change the lube oil filter every 250 hours.
2. Use a filter wrench to remove old filter. Dispose of filter in approved manner.
3. Make sure the gasket from the old filter is removed and discarded. Clean mount face.
4. Spread a thin film of engine oil on the rubber gasket on the new filter and screw it on nipple until gasket meets the sealing surface.
5. Using hands only – no wrench – tighten filter one-half turn farther. Overtightening can do damage to filter housing.
6. Fill engine with recommended oil. Start engine and check for leakage. Stop engine, wait 3 minutes, and check oil level. Add additional oil if necessary.
7. Oil filter part number is:
Model 944W.....#24-01201

SP4. AIR CLEANER

1. Visually inspect air cleaner every 250 hours. In dusty conditions, check more often.
2. Remove the plate on the bottom of the air intake manifold. Remove and inspect the foam element. If dirty, wash element in soapy water. Rinse and dry thoroughly before reinstalling.

Note: **Make absolutely sure no impurities enter the engine while changing the element, and do not run the engine with the air cleaner removed.**

Do not clean the filter with diesel fuel, solvent, or gasoline. Serious engine damage can result.

SP5. V-BELTS

1. Check the tension and wear on the V-belt after every 50 hours.
2. Use your thumb to press on the belt at the midpoint between the crankshaft and alternator pulleys. The tension is correct if the belt can be depressed about .39 to .47 in. (10 - 12 mm) with 22 lbs. (10 kg) force.

Servicing

SP7. VALVE CLEARANCES

1. Readjust valve clearance after first 50 hours of operation. Check valves every 500 hours thereafter.
2. Check the valves when the engine is cold.
3. Rotate the crankshaft in a clockwise direction in the front 180° to bring each piston to the top dead center on the compression stroke. Top dead center (TDC) is when notch on the pulley aligns with the pointer and the two valves on cylinder No. 1 “rock”. Rocking is when the rocker arms (for the two valves on a given cylinder) are moving in opposite directions, one up closing the valve and one down opening the other valve. The moment when the two rocker arms are exactly aligned with each other is when they “rock”.

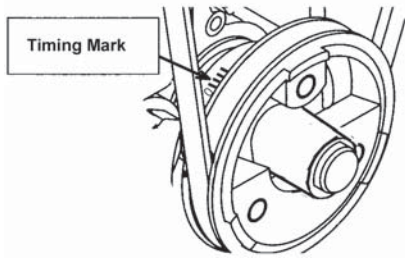


Figure 6: Timing Mark

4. Measure the valve clearance for each of the valves, with a feeler gauge, in the firing order (1-3-4-2). Standard valve clearances for a cold engine are:
Intake (IN).....0.0098 in. (0.25 mm)
Exhaust (EX).....0.0098 in. (0.25 mm)
5. To adjust valve clearance, loosen the lock nut on the adjustment screw. Insert a feeler gauge between the rocker arm and the valve stem cap. Adjust, while measuring the clearance, until the feeler gauge slides with a slight drag. Tighten the lock nut and recheck the clearance (Figure 7).

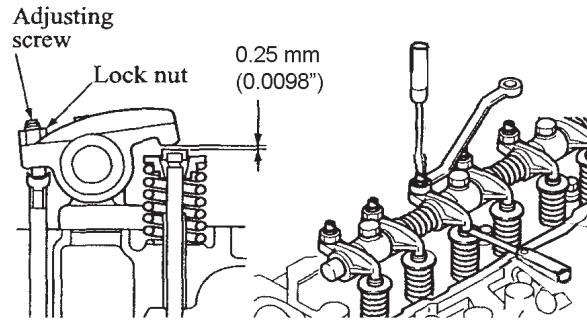


Figure 7: Valve Adjustment

6. Adjust the remaining valves.
7. Replace the rocker arm cover.

FUELS - GENERAL

1. Use only clean, high quality fuels of the following specifications, as defined by ASTM designation D975 for diesel fuels:
 - a. Use grade No. 2 diesel at ambient temperatures above freezing 32° F (0° C).
 - b. Use grade No. 1 at ambient temperatures below freezing.
 - c. International fuel specifications:
 - JIS K2204
 - ISO-8217-DMA
 - BS 2869 Part 1 Class A1
 - BS 2869 Part 2 Class A2
2. Use fuel having less than .2% sulphur of weight (less than 0.05% recommended).
3. The cetane number should be 45 or higher.
4. Particulate contaminate should be 5.0 mg/l (0.00018 oz/U.S. gal) or lower.
5. DO NOT use these unsuitable grades of fuel:
 - a. Domestic heating oils, all types.
 - b. Class B engine.
 - c. Class D domestic fuels.
 - d. Class E, F, G or H industrial or marine fuels.
 - e. ASTM-D975-60T No. 4-D and higher number fuels.
6. Storing fuel:
 - a. Keep dirt, scale, water, and other foreign matter out of fuel.
 - b. Avoid storing fuel for long periods of time.
 - c. Fill the fuel tank at the end of each day's operation. This will reduce condensation.

SP8-10. FUEL FILTER

1. Your generator set should have a fuel filter installed. We recommend the Northern Lights brand of fuel filters.
 - a. Check the primary fuel filter daily as recommended by the filter manufacturer.
 - b. Change the filter as often as necessary or every 250 hours.
 - c. Remove the fuel filter with a filter wrench.
 - d. Apply a coating of fuel to the o-ring of the new fuel filter.
 - e. Tighten the new filter by hand, do not use a filter wrench for tightening.
 - f. The filter should be dry.
 - g. Do not add fuel to the fuel filter before installation, as this could cause unfiltered fuel to enter the fuel pump.
 - h. Bleed the air out of the filter.

The fuel filter part number is:

944W.....24-51201

Servicing

SP11. BLEEDING THE FUEL SYSTEM



CAUTION: Escaping diesel fuel under pressure can penetrate skin causing serious personal injury. Before disconnecting lines be sure to relieve all pressure. Before applying pressure, be sure all connections are tight and lines, pipes and hoses aren't damaged. Fuel escaping from a very small hole can be almost invisible. Use a piece of cardboard or wood, rather than hands, to search for suspected leaks. If injured by escaping fuel, see a doctor at once. Serious infection or reaction can develop if proper medical treatment is not administered immediately.

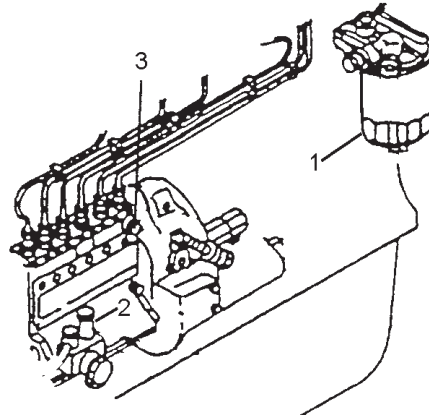


Figure 8 Fuel Feed Pump

1. Fuel system air bleeding may be needed when:
 - a. After fuel has been added to a newly installed engine.
 - b. A new fuel filter is installed.
 - c. The engine has run out of fuel.
 - d. The fuel lines, injection pump, or any other fuel system component has been removed and installed.
 2. After changing the fuel filter, air only needs to be bled from the fuel filter. To do this:
 - a. Loosen the air vent plug (#1 on Figure 8) on the fuel filter by about 1-1/2 turns. (Be sure to cover the vent with a cloth to prevent fuel from splashing.)
 - b. Turn the priming pump cap on the fuel feed pump counterclockwise to unlatch it. Move the priming pump plunger (#2 on Figure 8) up and down. To close the pump turn the cap clockwise while depressing it.
 - c. Close the air vent plug when no more air bubbles can be seen in the fuel flowing from the air vent plug hole.
 3. To bleed air at the fuel injection pump:
 - a. Turn the air vent plug (#3 on Figure 8) about 1-1/2 turns to loosen it. (Cover the vent with a cloth to prevent fuel from splashing.)
 - b. Pump the feed pump cap up and down.
 - c. When there are no air bubbles to be seen in the fuel flowing from the air vent plug hole, push down the priming pump cap and turn it clockwise to lock it in place.
- NOTE:**
Do not close the air vent plug before locking the priming pump cap in place, because the internal pressure in the pump will prevent the priming pump cap from returning to the original position.
4. If the engine does not start after this bleeding process, loosen a fuel line at the injector while cranking the engine with the starter motor until pure fuel escapes. Then tighten the connections. Do each line one-at-a-time. After the engine has started, use a piece of cardboard to look for fuel leaks.

SP12. INJECTOR SERVICE

1. Injectors should be checked every 500 hours. This check should be made by a Northern Lights dealer or local injection repair station.



CAUTION: Escaping diesel fuel under pressure can have sufficient force to penetrate the skin causing serious personal injury. If injured by escaping fuel, see a doctor at once.

2. Injector removal:
 - a. Clean loose dirt from around the injectors and the fuel lines.
 - b. Relieve high pressure in the fuel lines by loosening the delivery line flare nuts at each injector.
 - c. Remove delivery lines by disconnecting them from the injectors and injection pump. Remove all lines as an assembly; do not remove the spacers. Cover the ends of the lines, the injector inlets, and the injection pump outlets to keep dirt out.
 - d. Remove the return line retaining bolts, washers, and return line.
 - e. Loosen the injector retaining nuts at the same time a little at a time. Remove the injector.
 - f. Remove the injector seat. Cover the holes to prevent debris from entering the cylinders.

Note: Do not use pry bars to remove injectors from the cylinder head.

3. Injector repair and cleaning:
 - a. Take injectors to your Northern Lights dealer or local injection repair station for testing and service.
4. Injector installation:
 - a. Install new injector seal washer seat and injector. Evenly tighten the injector retaining nuts to 39.1 to 47.7 ft/lbs (53.0 to 64.7 N•m), or 5.4 to 6.6 kgf•m. Do not overtighten.
 - b. Reinstall the return line using new sealing washers. Tighten bolts to 13.0 to 15.9 ft/lbs (17.7 to 21.6 N•m), or 1.8 to 2.2 kgf•m.

NOTE: Overtightening can damage injectors.

- c. Reinstall injection lines. Tighten flare nuts at injection pump to 19.5 to 23.9 ft/lbs (26.5 to 32.4 N•m), or 2.7 to 3.3 kgf•m. Leave the lines loose at injectors for bleeding.
- d. Bleed the injection lines. Crank the engine to fill the lines. Tighten flare nuts at injectors to 15.2 to 18.1 ft/lbs (20.6 to 24.5 N•m), 2.1 to 2.5 kgf•m.
- e. Start the engine and check for leaks using a piece of paper or cardboard. Do not use your hand to check for leaks.

Servicing

SP13. INJECTION PUMP

1. Since operating conditions may vary considerably, it is difficult to give a definite interval for checking the injection pump. But as a rule, pump settings, maximum speed, idle speed and exhaust smoke should be checked after every 2000 hours of operation. Service of the fuel injection pump should only be done if checks indicate pump malfunction.
2. Black smoke can be an indication of pump malfunction. Before servicing the pump, check other possible causes:
 - a. Check cleanliness of the air filter.
 - b. Check valve clearances.
 - c. Clean and check injectors.
3. Any repair which involves disassembly of the injection pump must be carried out by specially trained mechanics with the proper tools and test equipment.

NOTE: All warranties on the engine become null and void if the injection pump seals are broken by unauthorized persons.

4. Injection Pump Removal:



CAUTION: Escaping diesel fuel under pressure can have sufficient force to penetrate the skin, causing serious personal injury. If injured by escaping diesel fuel, see a doctor at once.

- a. Clean the injection pump, hoses, and area around the pump with a cleaning solvent or steam cleaner.

NOTE: Never steam clean or pour cold water on an injection pump while the engine is running or the pump is warm.

- b. Remove the injection lines from the pump and injectors. Remove all lines as an assembly. Do not remove the spacers. Cover the ends of the lines, the injector inlets, and the injection pump outlets to keep dirt out of the injectors, lines, and pump.
- c. Align timing marks on timing gears.
- d. Remove the pump support bracket on rear of pump.
- e. Remove the 4 mounting nuts.

- f. Take the pump to your Northern Lights dealer or an injection repair station for testing and service.

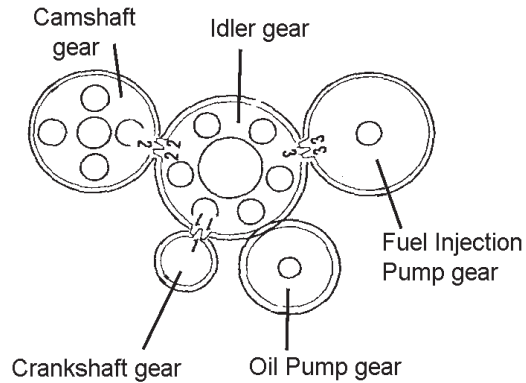


Figure 9: Timing Marks

5. Injection Pump Installation:

- a. Install the fuel injection pump after having aligned its gear alignment mark with that of the idler gear alignment mark as shown in Figure 9 above. When the alignment marks of the timing gears align as in the diagram to the right, the No. 1 piston is top dead center in the compression stroke.
- b. Install the injection pump to the side of the engine first then put in the end bolts, and then the tube with its bolts, and then the side bracket.
- c. Torque mounting bolts to 13.0 - 18.1 ft/lbs (17.7 to 24.5 N•m), 1.8 to 2.5 kgf•m.

COOLING SYSTEM - GENERAL

NOTE: Be sure to close the sea-cock before working on the engine cooling system.



CAUTION: *The cooling water in the engine reaches extremely high temperatures. You must use extreme caution when working on hot engines to avoid burns. Allow the engine to cool before working on the cooling system. Open the filler cap carefully, using protective clothing when the engine is warm.*

SP14. CHECK THE COOLANT LEVEL

1. Check the coolant level each day before starting the engine.
 - a. Check the water level by removing the pressure cap from the expansion tank. In order to give the cooling water an opportunity to expand, the level should be about 1 in. (2.5 cm) below the filler cap sealing surface when the engine is cold.
 - b. Soft water with about a pH about 6.5 to 8.5 combined with an antifreeze in a 30% to 50% (maximum) solution should be used.
 - c. The antifreeze should not contain amine, silicate, or borate.

SP15. COOLING SYSTEM FLUSHING

1. Flush the cooling system every 2000 hours or every 12 months, whichever comes first.
2. Remove fill cap and open drains on engine block. The engine block drain is on the service side of the engine above the dipstick, next to the flywheel housing.
3. Pour clean water into the engine until water coming from engine is clear of discoloration. Close drains and refill the engine with recommended coolant mixture.
4. Use 50% water / 50% (maximum) ethylene glycol antifreeze mix. Antifreeze mixture is recommended as a good year-round coolant.
5. Coolant capacity is approximately 3 gal. (11.4 liters).
6. Check hoses and connections and repair any leakage.
7. Start the engine and check for leaks. Run the engine for five minutes, then shut it down. Let engine cool, and then check the coolant level in the engine. Add coolant as needed.

NOTE: Be sure to open the sea-cock after working on the engine cooling system and starting the engine.

Servicing

SP16. HEAT EXCHANGER

1. Clean the heat exchanger core once a year or after 2000 hours of operation.
2. Drain the expansion tank and heat exchanger.
3. Remove the heat exchanger end covers.
4. Clean the inside of the exchanger core tubes using a metal rod. Flush, inspect, and clean again if necessary.
5. Reassemble the heat exchanger. Fill the cooling system. Start the engine and check for leaks.

SP17. RAW WATER PUMP

1. Change the raw water pump impeller every 500 hours, or as needed.
2. Remove the pump cover. Pry out the impeller using needle-nose pliers or two screwdrivers. Be sure to remove all pieces of the failed impeller.

NOTE: Place some kind of protection under the screwdrivers in order to not damage the pump housing.

3. Clean the inside of the housing.
4. Press in the new impeller and place the sealing plug in the outer end of the impeller center if this has not already been done.

NOTE: Make sure that there is always an extra impeller and cover gasket in reserve on board.

SP18. ZINC ELECTRODES

1. A zinc electrode is installed in the heat exchanger cooling system to protect the engine from electrolysis. Check it faithfully every 250 hours. If you are in warm saltwater, or where electrolysis is a known problem, check it more often.
2. Remove the zinc holder from the bottom of the exchanger. This will drain raw water from the exchanger.
3. Scrape or steel brush the zinc electrode clean. If more than 50% of the electrode is corroded away, replace it with a new zinc. The electrode screws out of the holder.
4. Reinstall the zinc holders. Be sure the threads are clean for good metal-to-metal contact. Do not use thread sealant.
5. Refill the cooling system. Start the engine and check for leaks.

GENERATOR END

The maintenance and operation recommendations for the generator end are in a separate Owner's Manual. If you do not have one of these manuals, contact your local dealer.

ELECTRICAL SYSTEM - GENERAL

1. Never switch the battery switch off or break the circuit between the alternator and the batteries while the engine is running. Alternator damage can result.
2. Do not reverse the polarity of the battery cables when installing the battery.

BOOSTER BATTERIES

CAUTION: Battery gas can explode. Keep all flames and sparks away from batteries.

1. Before changing or using booster batteries, check the battery electrolyte level. Add distilled water if necessary.
2. Booster and main batteries must have the same voltage rating.
3. First, connect the positive (+) terminal of the booster battery to the positive (+) terminal of the main battery. Then, connect the negative (-) terminal of the booster battery to ground on the engine block (Figure 10).
4. Remove the booster battery after starting the engine.
5. Sealed Batteries:
See the manufacturer's charging and booster instructions.

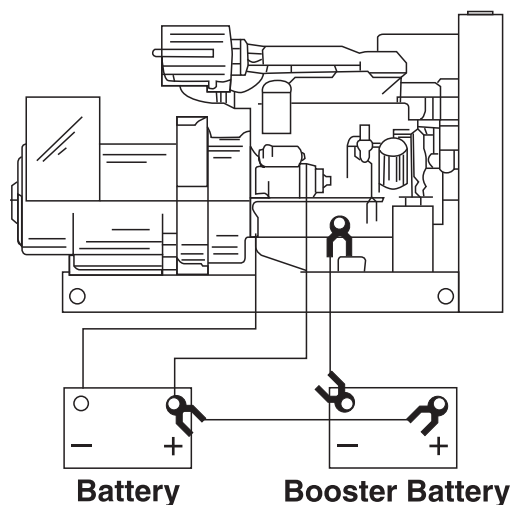


Figure 10: Booster Battery Connections

Servicing

SP19-20. BATTERY CARE

1. Check the electrolyte level every 50 hours, or once a month. Add distilled water to the manufacturer's recommended level.
2. Batteries, cables, and cable terminals should be checked and cleaned every 100 hours. Clean corrosion with a water and baking soda solution. Flush with clean water. Tighten terminals and grease them to inhibit future corrosion.
3. Check the battery condition with a hydrometer every 500 hours.
6. Cover the terminals and openings of the starter and alternator with adhesive fabric tape. Cover the starter and alternator with polyethylene sheets and put desiccant inside covering.
7. Disconnect and clean the battery. Remove the battery to a cool dry storage place, if possible.
8. Clean the outside of the unit. Paint any scratched or chipped surfaces. Put corrosion preventative on all exposed metal surfaces.
9. Cover the engine.

SP23. WINTERIZING / OUT-OF-SERVICE

NOTE: Remember to close the sea-cock before opening drain cocks.

For engines not going to be used for more than 3 months:

1. Change the crankcase oil and filter. Fill with rust preventative oil, and make a mixture of rust preventative oil and fuel 1:1 and fill the fuel tank with the mixture. Start the engine and operate it with no load for 5 to 10 minutes. Stop the engine, spray rust preventative agent into intake pipe. Drain the rust preventative oil and fuel.
2. Drain fresh water and seawater cooling systems completely. Flush fresh water systems and refill with the proper antifreeze mixture.
3. Drain the water supply lines and wet exhaust line. Cover the intake and exhaust ports with adhesive fabric tape.
4. Loosen the seawater pump cover and drain the pump.
5. Loosen the alternator belt.

DC ELECTRICAL SYSTEM

| PROBLEM | POSSIBLE CAUSE | RECOMMENDATION(S) |
|---|--|---|
| Battery Will Not Charge | Loose or corroded connections | <ul style="list-style-type: none"> • Clean and tighten battery connections. |
| | Sulfated or worn out batteries | <ul style="list-style-type: none"> • Check specific gravity of each battery. • Check electrolyte level of each battery. |
| | Loose or defective alternator belt | <ul style="list-style-type: none"> • Adjust belt tension. • Replace belt. |
| Starter Inoperative | Check DC circuit breaker | <ul style="list-style-type: none"> • If the breaker is tripped, reset it. |
| | Loose or corroded connections | <ul style="list-style-type: none"> • Clean and tighten loose battery and harness plug connection. |
| | Low battery condition | <ul style="list-style-type: none"> • Check specific gravity of each battery. • Check electrolyte level of each battery. |
| | Defective electrical system ground wire: | <ul style="list-style-type: none"> • Repair or replace. |
| Starter Cranks Slowly | Low battery condition | <ul style="list-style-type: none"> • Battery is too small. • Battery cables are too small. |
| | Check specific gravity of each battery | <ul style="list-style-type: none"> • Replace battery if necessary. |
| | Check electrolyte level of each battery | <ul style="list-style-type: none"> • If low, fill cells with distilled water. |
| | Crankcase oil too heavy | <ul style="list-style-type: none"> • Fill with oil of appropriate viscosity. |
| | Loose or corroded connections | <ul style="list-style-type: none"> • Clean and tighten loose connections. |
| Entire Electrical System Does Not Function | Check DC circuit breaker | <ul style="list-style-type: none"> • If breaker is tripped, reset it. |
| | Faulty connection | <ul style="list-style-type: none"> • Clean and tighten battery and harness plug connections. |
| | Sulfated or worn out batteries | <ul style="list-style-type: none"> • Check specific gravity and electrolyte level of each battery. |

If you cannot correct problems with these procedures, see your **Northern Lights** dealer.

Troubleshooting

ENGINE

| PROBLEM | POSSIBLE CAUSE | RECOMMENDATION(S) |
|---|--|--|
| Engine Hard to Start or Will Not Start | Improper starting procedure | <ul style="list-style-type: none"> • See starting section of this manual. Take special note of Bypass Switch operation. |
| | No fuel | <ul style="list-style-type: none"> • Check level of fuel in fuel tank. |
| | Low battery condition | <ul style="list-style-type: none"> • Check electrolyte level and condition. |
| | Excessive resistance in starting circuit | <ul style="list-style-type: none"> • Clean and tighten all battery connections. |
| | Crankcase oil too heavy | <ul style="list-style-type: none"> • Use oil of proper viscosity. |
| | Improper type of fuel | <ul style="list-style-type: none"> • Consult fuel supplier and use proper type of fuel for operating condition. |
| | Water, dirt or air in fuel system | <ul style="list-style-type: none"> • Drain, flush, fill and bleed system. |
| | Clogged primary fuel filter element | <ul style="list-style-type: none"> • Clean or replace filter element. |
| Engine Runs Irregularly or Stalls Frequently | Clogged secondary fuel filter element | <ul style="list-style-type: none"> • Replace filter element. |
| | Dirty or faulty injection nozzles | <ul style="list-style-type: none"> • Have your dealer check injection nozzles. |
| | Below normal engine temperature | <ul style="list-style-type: none"> • Remove and check thermostat. |
| | Clogged primary fuel filter element | <ul style="list-style-type: none"> • Clean or replace filter element. |
| | Clogged secondary fuel filter element | <ul style="list-style-type: none"> • Replace secondary filter element. |
| | Water or dirt in the fuel system | <ul style="list-style-type: none"> • Drain, flush, fill and bleed system. |
| | Dirty or faulty injection nozzles | <ul style="list-style-type: none"> • Have your dealer check injection nozzles. |
| | Air in fuel system | <ul style="list-style-type: none"> • Inspect clamps and hoses on suction side of fuel pump for air leak. |
| Lack of Engine Power | Improper type of fuel | <ul style="list-style-type: none"> • Consult fuel supplier and use proper type of fuel for operating condition. |
| | Engine overloaded | <ul style="list-style-type: none"> • Reduce the load. |
| | Intake air restriction | <ul style="list-style-type: none"> • Service air cleaner. |
| | Clogged primary fuel filter element | <ul style="list-style-type: none"> • Clean or replace filter element. |
| | Clogged secondary fuel filter element | <ul style="list-style-type: none"> • Replace filter element. |
| | Overheated engine | <ul style="list-style-type: none"> • See “Engine Overheats” in next category. |
| | Improper valve clearance | <ul style="list-style-type: none"> • Reset valves. Best done by dealer. |
| | Below normal engine temperature | <ul style="list-style-type: none"> • Remove and check thermostat. |
| | Dirty or faulty injection nozzles | <ul style="list-style-type: none"> • Replace injectors. Best done by dealer. |

ENGINE

| PROBLEM | POSSIBLE CAUSE | RECOMMENDATION(S) |
|---|---|---|
| Lack of Engine Power <i>(continued)</i> | Low compression pressure (worn piston rings, etc...) | <ul style="list-style-type: none"> • Consult dealer. |
| Engine Overheats | Engine overloaded | <ul style="list-style-type: none"> • Reduce the electrical load. |
| | Low coolant level | <ul style="list-style-type: none"> • Fill tank or radiator to proper level. • Check hoses for loose connections and leaks. |
| | Keel cooling tubes (marine sets) have been painted | <ul style="list-style-type: none"> • Remove paint from tubes. |
| | Cooling system needs flushing | <ul style="list-style-type: none"> • Flush cooling system. |
| | Defective thermostat | <ul style="list-style-type: none"> • Remove and check thermostat. |
| | Defective temperature gauge | <ul style="list-style-type: none"> • Check water temperature with thermometer and replace gauge if necessary. |
| | Water pump impeller worn or broken | <ul style="list-style-type: none"> • Check the impeller and replace if necessary. |
| Engine Knocks | Insufficient oil | <ul style="list-style-type: none"> • Call your dealer. |
| | Injection pump out of time | <ul style="list-style-type: none"> • Call your dealer. |
| | Below normal engine temperature | <ul style="list-style-type: none"> • Check your thermostats. • Check water temperature to see if temperature gauge is working properly. |
| | Faulty fuel injector | <ul style="list-style-type: none"> • Call your dealer. |
| | Engine overheating | <ul style="list-style-type: none"> • See “Engine Overheating” section. |
| High Fuel Consumption | Improper type of fuel | <ul style="list-style-type: none"> • Use correct fuel for temperature. |
| | Clogged or dirty air cleaner | <ul style="list-style-type: none"> • Service air cleaner. |
| | Engine overloaded | <ul style="list-style-type: none"> • Reduce the electrical load. |
| | Improper valve clearance | <ul style="list-style-type: none"> • See your dealer. |
| | Injection nozzles dirty | <ul style="list-style-type: none"> • See your dealer. |
| | Injection pump out of time | <ul style="list-style-type: none"> • See your dealer. |
| | Engine not at proper temperature | <ul style="list-style-type: none"> • Check your thermostats. • Check water temperature with thermometer and replace gauge if necessary. |
| Below Normal Engine Temperature | Thermostats not working properly | <ul style="list-style-type: none"> • Check thermostats. |
| | Temperature gauge not working properly | <ul style="list-style-type: none"> • Check water temperature with thermometer. |
| Low Oil Pressure | Low oil level | <ul style="list-style-type: none"> • Fill crankcase to proper level. |
| | Improper type of oil | <ul style="list-style-type: none"> • Drain and fill crankcase with correct oil. |
| | Partially plugged oil filter | <ul style="list-style-type: none"> • Replace filter. |

If you cannot correct problems with these procedures, see your **Northern Lights** dealer.

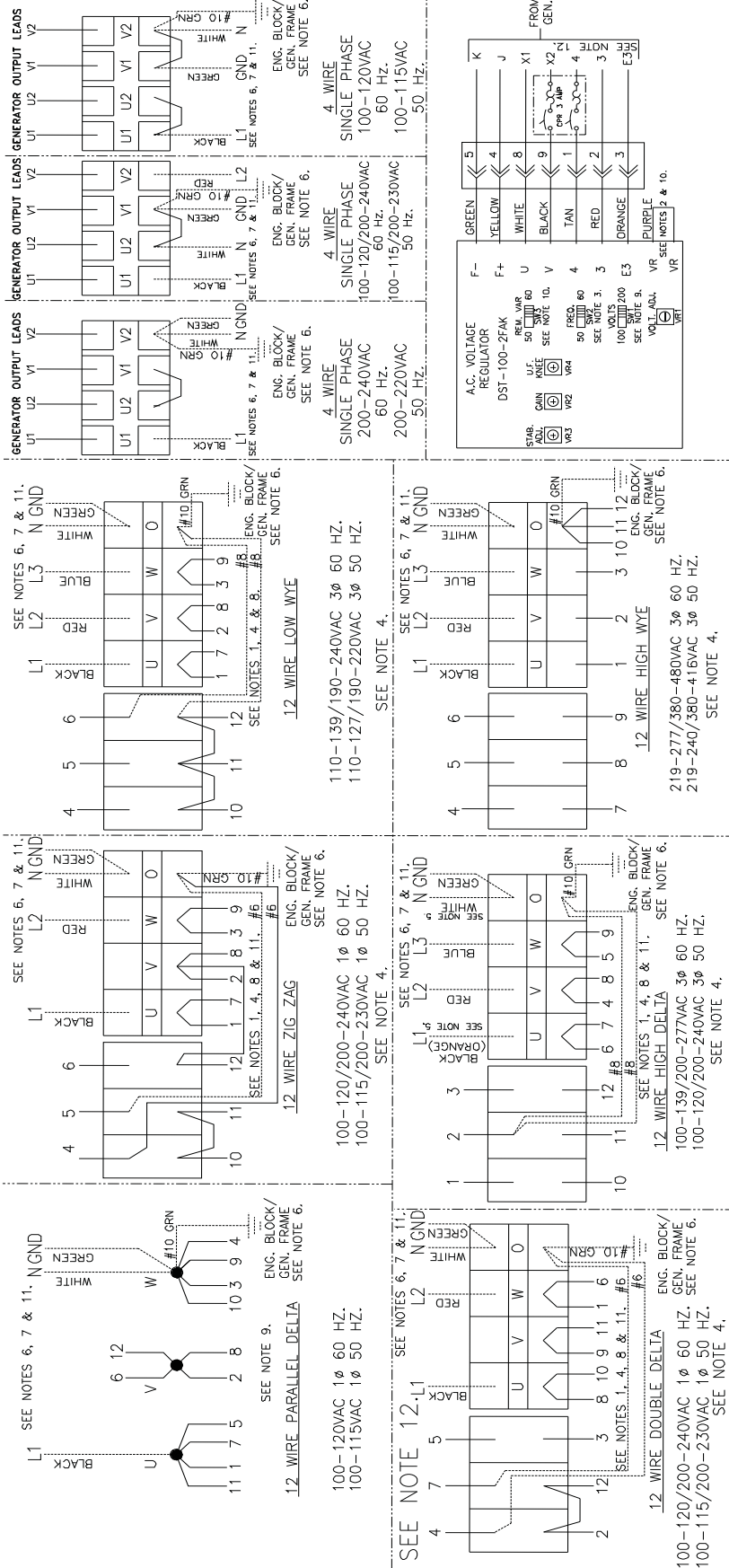
Troubleshooting

ENGINE

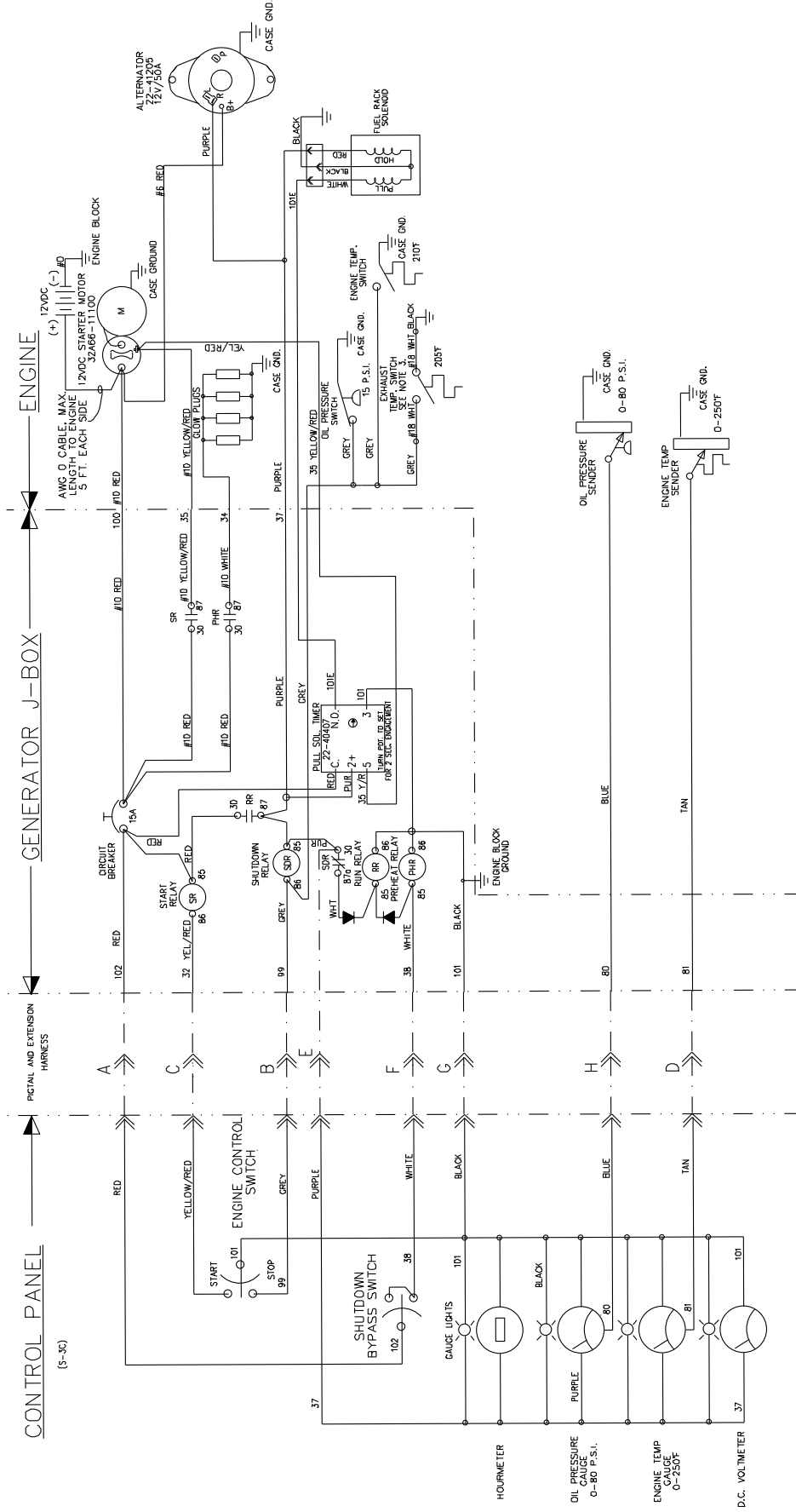
| PROBLEM | POSSIBLE CAUSE | RECOMMENDATION(S) |
|---|--|---|
| High Oil Consumption | Break-in period | • Oil consumption decreases after break in. |
| | Crankcase oil too light | • Use proper viscosity oil. |
| | Oil leaks | • Check for leaks in lines around gaskets and drain plug. |
| | Crankcase over full | • Remove excess oil. |
| Engine Emits Black or Gray Exhaust Smoke | Clogged or dirty air cleaner | • Service air cleaner. |
| | Defective muffler (back pressure too high) | • Have dealer check back pressure. |
| | Improper fuel | • Use correct fuel for temperature. |
| | Fuel pump faulty | • See your dealer. |
| | Injection nozzles dirty | • See your dealer. |
| | Engine overloaded | • Reduce the electrical load. |
| | Injection nozzles dirty | • See your dealer. |
| | Injection pump faulty | • Consult your dealer. |
| | Engine out of time | • See your dealer. |
| Incorrect valve clearance | • Consult your dealer. | |
| Engine Emits White Smoke | Improper fuel | • Use correct fuel for temperature. |
| | Cold engine | • Warm up engine to normal operating temperature. |
| | Defective thermostat | • Remove and check thermostat. |
| | Engine out of time | • See your dealer. |
| | Low Compression Pressure | • See your dealer. |
| | Low engine oil viscosity | • Use proper viscosity of oil to ambient temperature. |
| | Excessive amount of engine oil | • Maintain correct oil level. |
| | Fuel injection nozzles faulty (uneven injection) | • See your dealer. |

AC Wiring Diagram

Northern Lights AC Wiring Diagram –
 Models M944W and M30CW
 DST-100-2FAK Voltage Regulator
 Drawing B-8280D

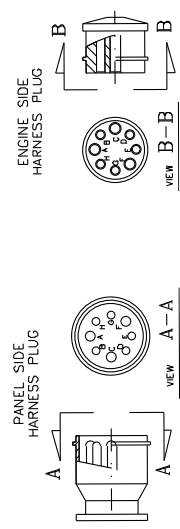


DC Wiring Diagram



NOTES:

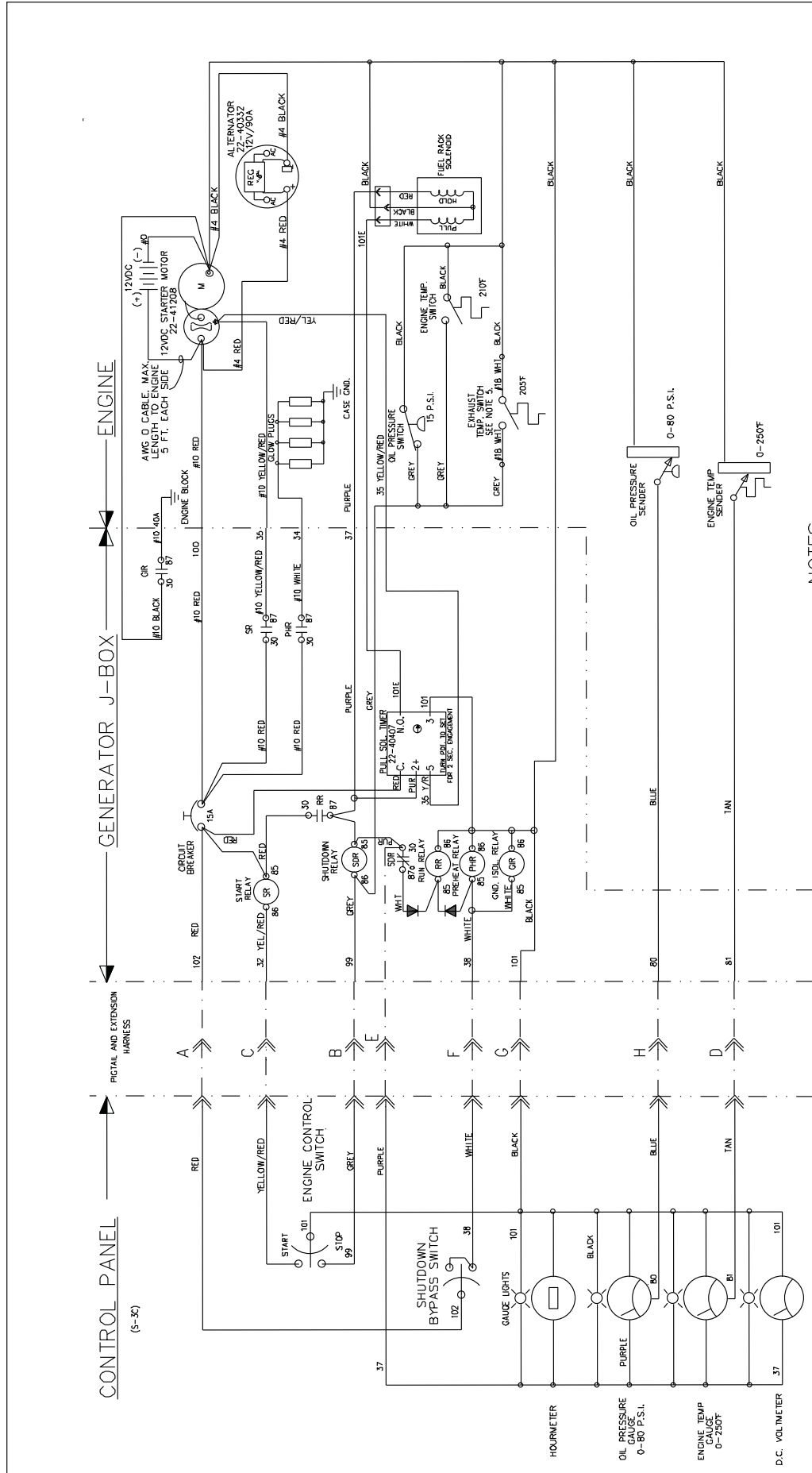
1. ALL INSTALLATION CONDUCTORS TO BE AWG 14, 105°C, TYPE MTW, MULTISTRAND, 600 VAC, EXCEPT AS INDICATED.
2. UNLESS COLOR CODED, ALL A.D.E. INSTALLED CONDUCTORS ARE TO BE GREY AND MUST BE IDENTIFIED BY WIRE MARKER AT EACH CONNECTION POINT.
3. HIGH EXHAUST TEMP. SWITCH IS OPTIONAL ON M30CW UNITS.



Northern Lights DC Wiring Diagram –
 Models M944W and M30CW
 12 Volt Standard Ground
 Drawing C-6050

Drawings subject to change without notice.

DC Wiring Diagram

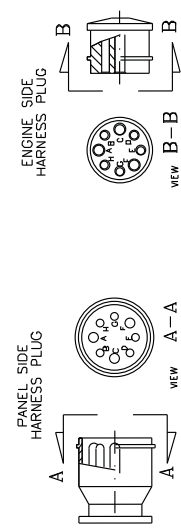


NOTES:

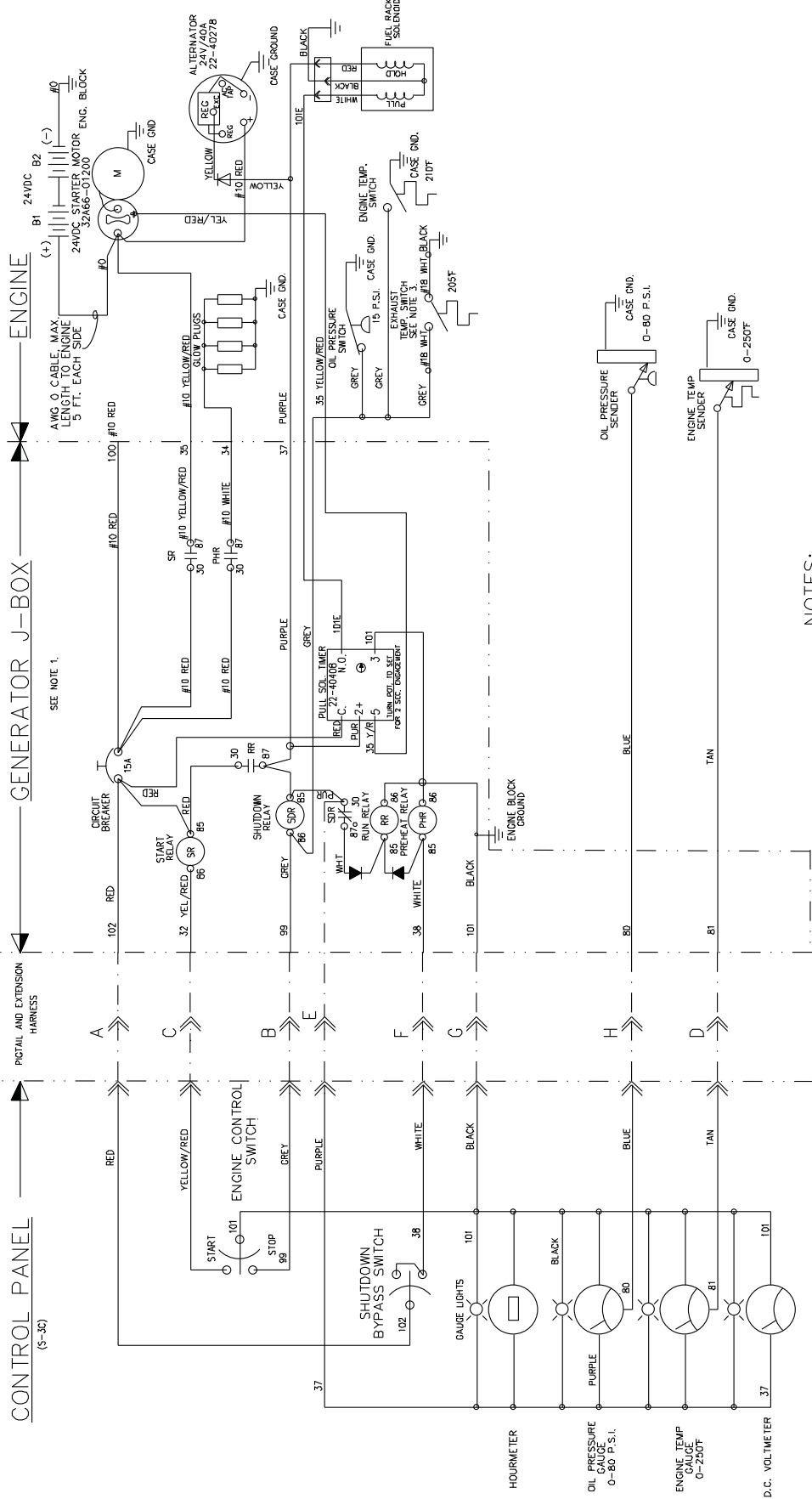
1. ALL INSTALLATION CONDUCTORS TO BE AWG 14, 105°C, TYPE MTW, MULTISTRAND, 600 VAC, EXCEPT AS INDICATED.
2. UNLESS COLOR CODED, ALL A.D.E. INSTALLED CONDUCTORS ARE TO BE GREY AND MUST BE IDENTIFIED BY WIRE MARKER AT EACH CONNECTION POINT.
3. HIGH EXHAUST TEMP. SWITCH IS OPTIONAL ON M30CW UNITS.

Northern Lights DC Wiring Diagram –
Models M944W and M30CW
12 Volt Isolated Ground
Drawing C-6051

Drawings subject to change without notice.

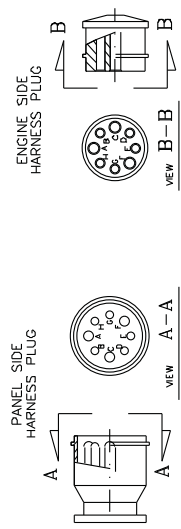


DC Wiring Diagram



NOTES:

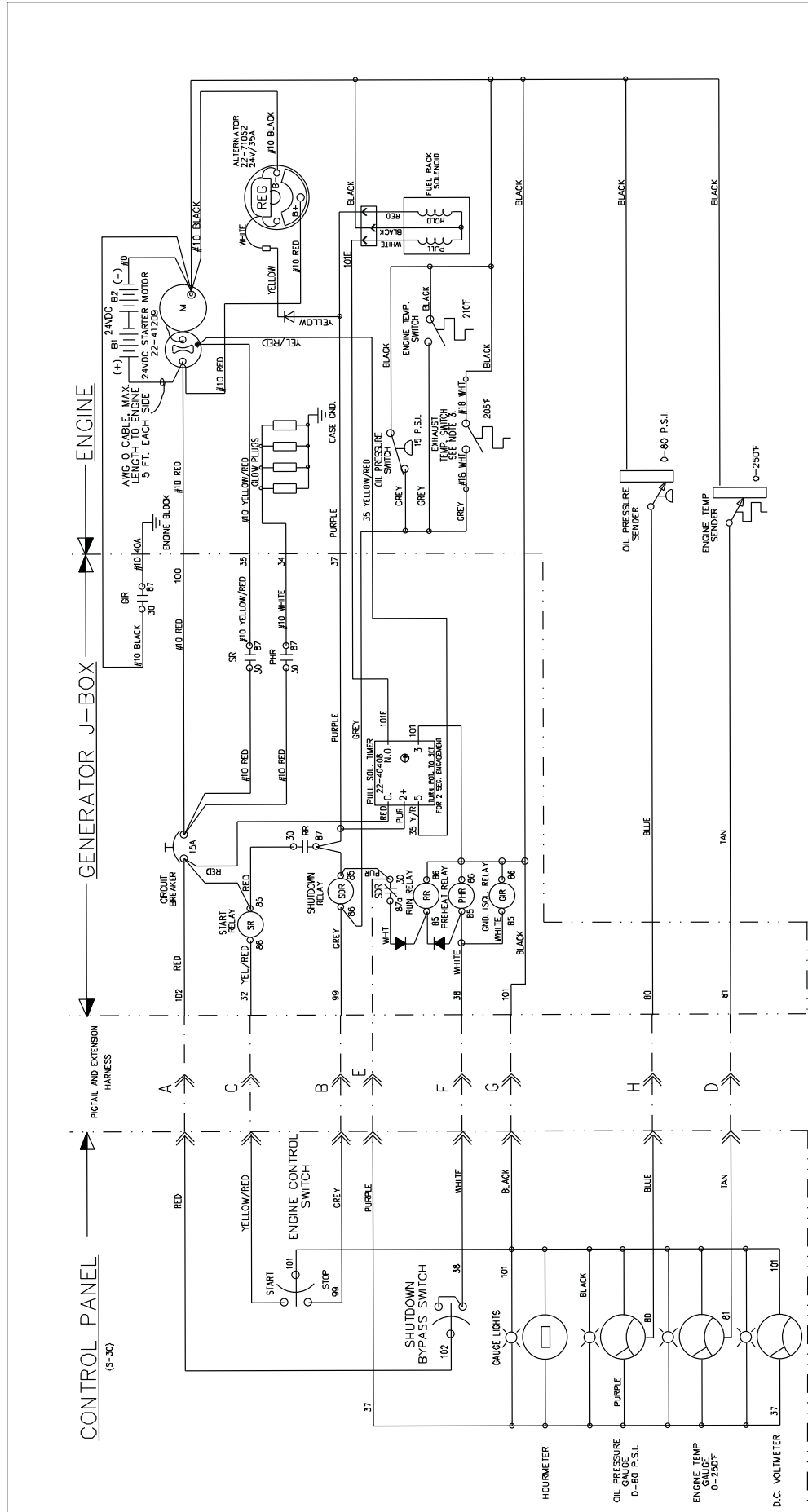
1. ALL INSTALLATION CONDUCTORS TO BE AWG 14, 105°C, TYPE MTW, MULTISTRAND, 600 VAC, EXCEPT AS INDICATED.
2. UNLESS COLOR CODED, ALL A.D.E. INSTALLED CONDUCTORS ARE TO BE GREY AND MUST BE IDENTIFIED BY WIRE MARKER AT EACH CONNECTION POINT.
3. HIGH EXHAUST TEMP. SWITCH IS OPTIONAL ON M30CW UNITS.



Northern Lights DC Wiring Diagram –
Models M944W and M30CW
24 Volt Standard Ground
Drawing C-6052

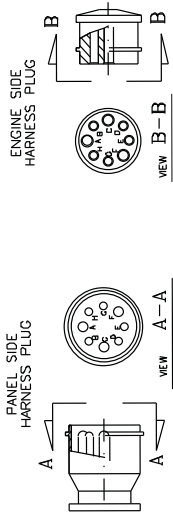
Drawings subject to change without notice.

DC Wiring Diagram



NOTES:

1. ALL INSTALLATION CONDUCTORS TO BE AWG 14, 105°C, TYPE MTW, MULTISTRAND, 600 VAC, EXCEPT AS INDICATED.
2. UNLESS COLOR CODED, ALL A.D.E. INSTALLED CONDUCTORS ARE TO BE GREY AND MUST BE IDENTIFIED BY WIRE MARKER AT EACH CONNECTION POINT.
3. HIGH EXHAUST TEMP. SWITCH IS OPTIONAL ON M30CW UNITS.



Northern Lights DC Wiring Diagram –
 Model M944W
 24 Volt Isolated Ground
 Drawing C-6053

Drawings subject to change without notice.



www.northern-lights.com

4420 14th Ave. NW., Seattle WA 98107

Tel: (206) 789-3880 • 1-800-762-0165 • Fax: (206) 782-5455

Northern Lights and Lugger are registered trademarks of Northern Lights, Inc.

© 2006 All rights reserved. Litho USA.